

US00D590518S

(12) **United States Design Patent**
Campbell et al.

(10) **Patent No.:** **US D590,518 S**
(45) **Date of Patent:** **** Apr. 14, 2009**

(54) **WINDOW FRAME PROFILE**
(75) Inventors: **David Campbell**, Innisfil (CA); **Nina Sterlin**, Thornhill (CA)
(73) Assignee: **Royal Group, Inc.**, Atlanta, GA (US)
(**) Term: **14 Years**
(21) Appl. No.: **29/300,004**
(22) Filed: **Feb. 7, 2008**
(51) **LOC (9) Cl.** **25-01**
(52) **U.S. Cl.** **D25/124**
(58) **Field of Classification Search** D25/124;
52/204.1, 204.5, 204.51, 656.5, 656.6, 656.2,
52/730.3; 49/501, 504, DIG. 2
See application file for complete search history.

D442,291 S 5/2001 Ballard et al.
D444,894 S 7/2001 Marshall
D452,575 S 12/2001 Edger
D453,381 S 2/2002 Ballard et al.
D453,575 S 2/2002 Scalzott
D453,576 S 2/2002 Scalzott
D453,844 S 2/2002 Scalzott
D453,845 S 2/2002 Scalzott
D453,846 S 2/2002 Scalzott
D455,841 S 4/2002 Fisher et al.
D458,690 S 6/2002 Roberts et al.
D461,014 S 7/2002 Marshall
D461,256 S 8/2002 Ballard et al.
D461,570 S 8/2002 Ballard et al.
D466,623 S 12/2002 Ballard et al.
D466,627 S 12/2002 Morton et al.
D467,355 S 12/2002 Ballard et al.
D471,647 S 3/2003 Chaney et al.
D495,430 S 8/2004 Franson
D496,742 S 9/2004 Franson
D500,561 S 1/2005 Franson
6,857,232 B2 2/2005 Bealko
D502,555 S 3/2005 Franson

(56) **References Cited**

U.S. PATENT DOCUMENTS

5,099,624 A 3/1992 Valentin
D375,803 S * 11/1996 Oliver D25/124
D402,054 S 12/1998 Leonelli
D405,196 S 2/1999 Arcati et al.
D406,653 S 3/1999 Morton et al.
D406,662 S * 3/1999 Morton et al. D25/124
D412,585 S 8/1999 Arcati et al.
D413,395 S 8/1999 Arcati et al.
D417,919 S 12/1999 Hersh et al.
6,006,478 A 12/1999 Hubner et al.
D435,918 S 1/2001 Hauberg et al.
D436,190 S 1/2001 Ballard et al.
D436,412 S 1/2001 Hauberg et al.
D436,413 S 1/2001 Habeck et al.
6,182,405 B1 * 2/2001 Lindahl 52/204.1
D438,644 S 3/2001 Habeck et al.
D438,989 S 3/2001 Ballard et al.
D439,679 S 3/2001 Ballard et al.
D440,323 S 4/2001 Habeck et al.
D440,324 S 4/2001 Habeck et al.
D440,664 S 4/2001 Habeck et al.
D440,665 S 4/2001 Habeck et al.
D440,669 S 4/2001 Habeck et al.
D441,099 S 4/2001 Habeck et al.

(Continued)

Primary Examiner—Doris Clark
(74) *Attorney, Agent, or Firm*—Hunton & Williams LLP

(57) **CLAIM**

We claim the ornamental design for a window frame profile, as shown and described.

DESCRIPTION

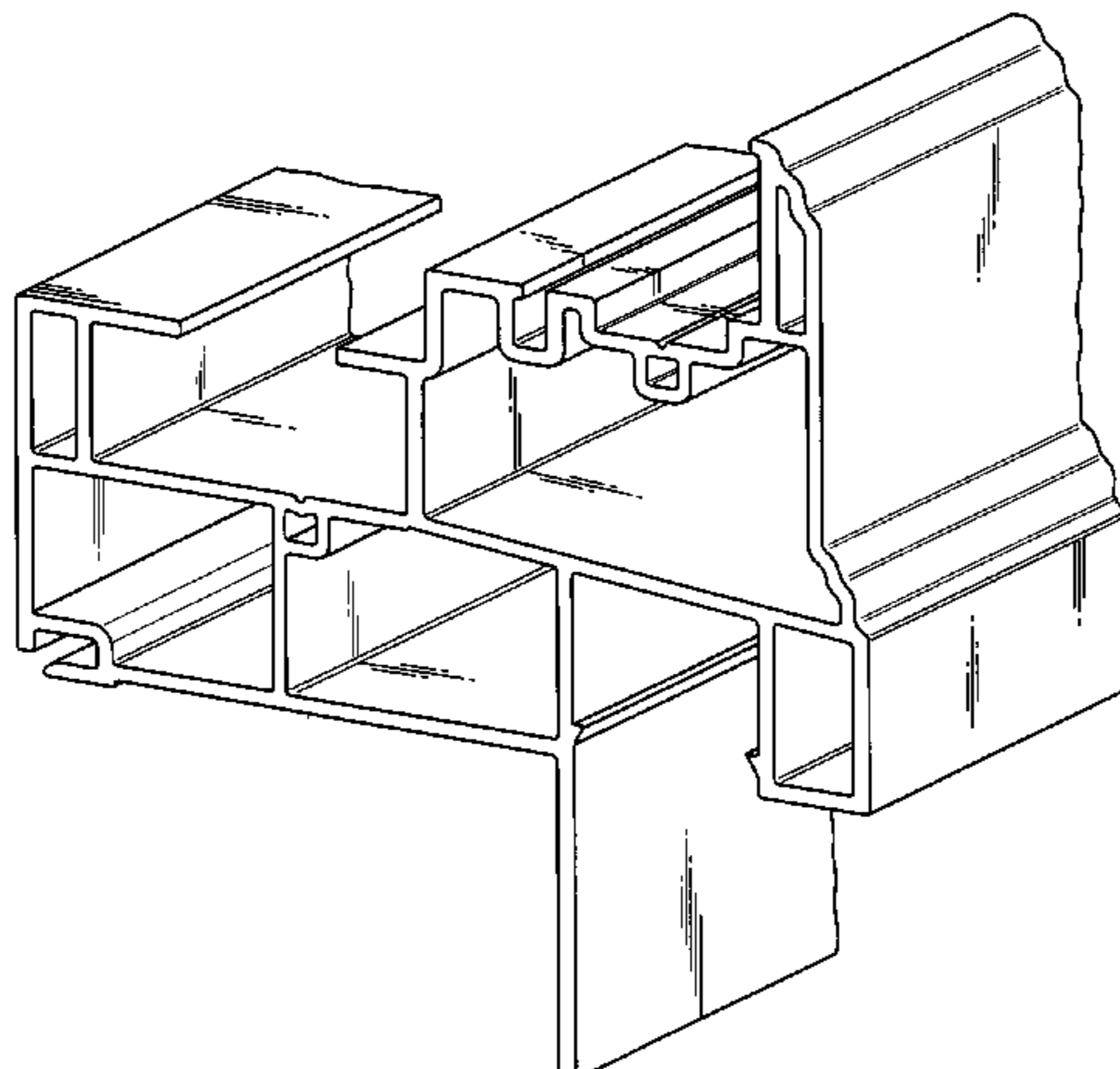
FIG. 1 is a fragmentary top right isometric view of a window frame profile showing the claimed design.

FIG. 2 is a fragmentary bottom left isometric view of the window frame profile of FIG. 1; and,

FIG. 3 is an end elevation view of the window frame profile of FIG. 1.

The claimed design is broken on the end to indicate indeterminate length.

1 Claim, 3 Drawing Sheets



US D590,518 S

Page 2

U.S. PATENT DOCUMENTS

D505,503 S	5/2005	Wickland	D552,260 S	10/2007	Franson
D537,540 S	2/2007	Franson	D552,261 S	10/2007	Wickland
D539,932 S	4/2007	Fannan	D552,262 S	10/2007	Wickland
D541,954 S	5/2007	Allen et al.	D552,761 S	10/2007	Wickland
D542,422 S	5/2007	Franson	D552,762 S	10/2007	Wickland
D546,975 S	7/2007	Allen et al.	D552,763 S	10/2007	Wickland
D546,976 S	7/2007	Ye	D552,764 S	10/2007	Wickland
D546,977 S	7/2007	Ye	D553,262 S	10/2007	Wickland
D546,978 S	7/2007	Ye	D553,762 S	10/2007	Schrader
D546,979 S	7/2007	Ye	D554,776 S	11/2007	Fannan
D550,862 S	9/2007	Brabeck et al.	2003/0159374 A1	8/2003	Burgess
			2004/0000093 A1	1/2004	Guelck

* cited by examiner

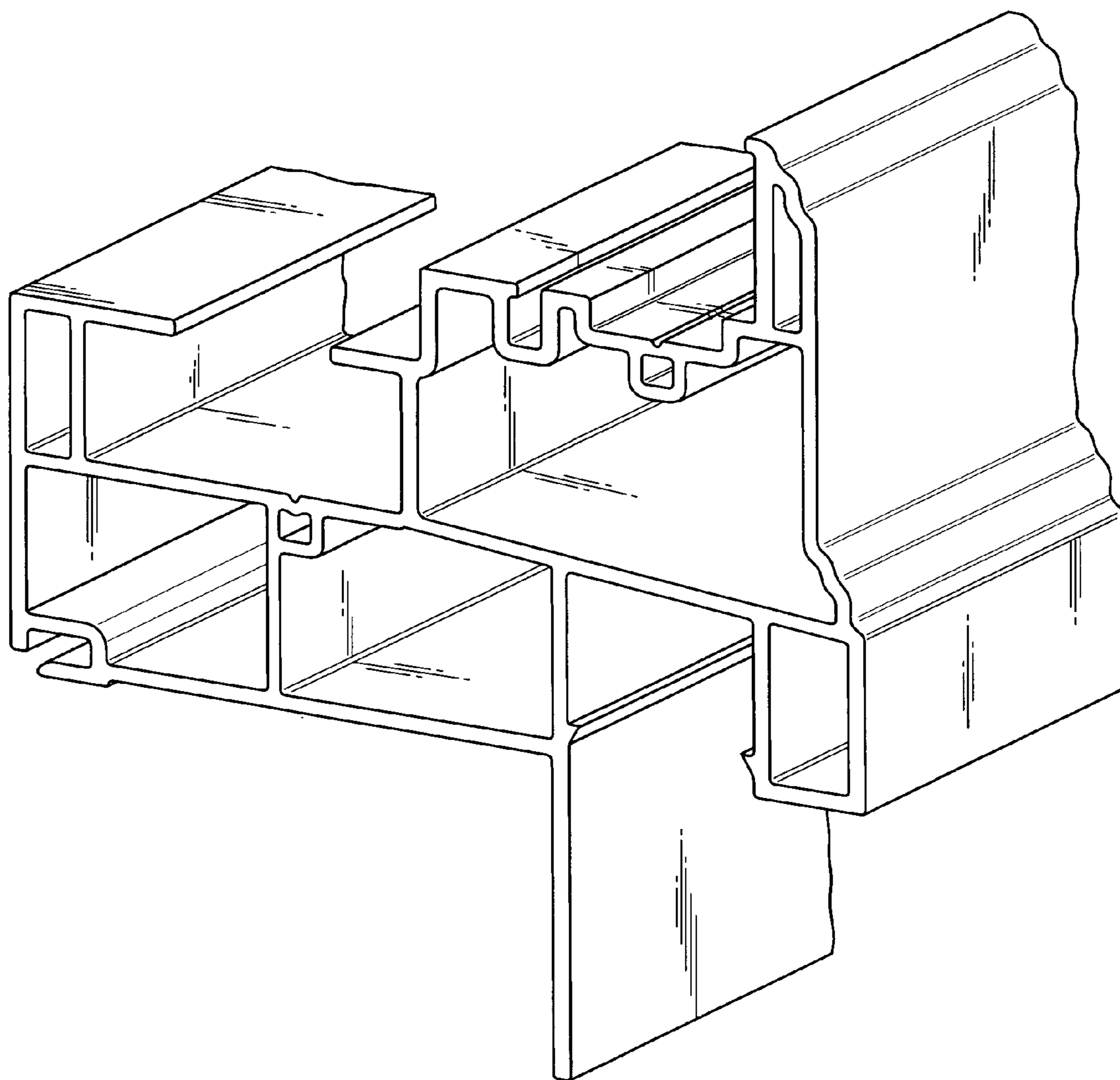


Fig. 1

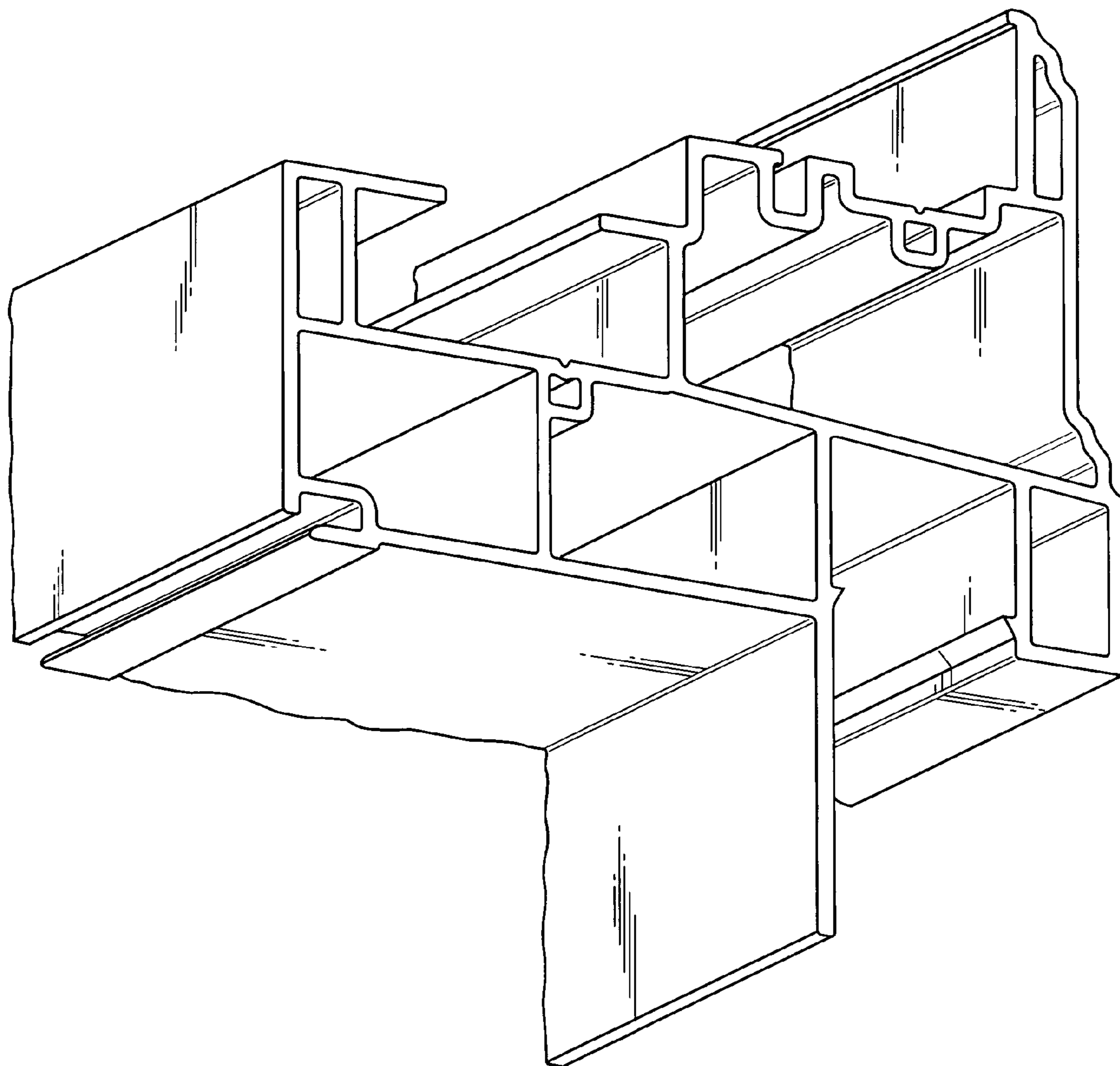


Fig. 2

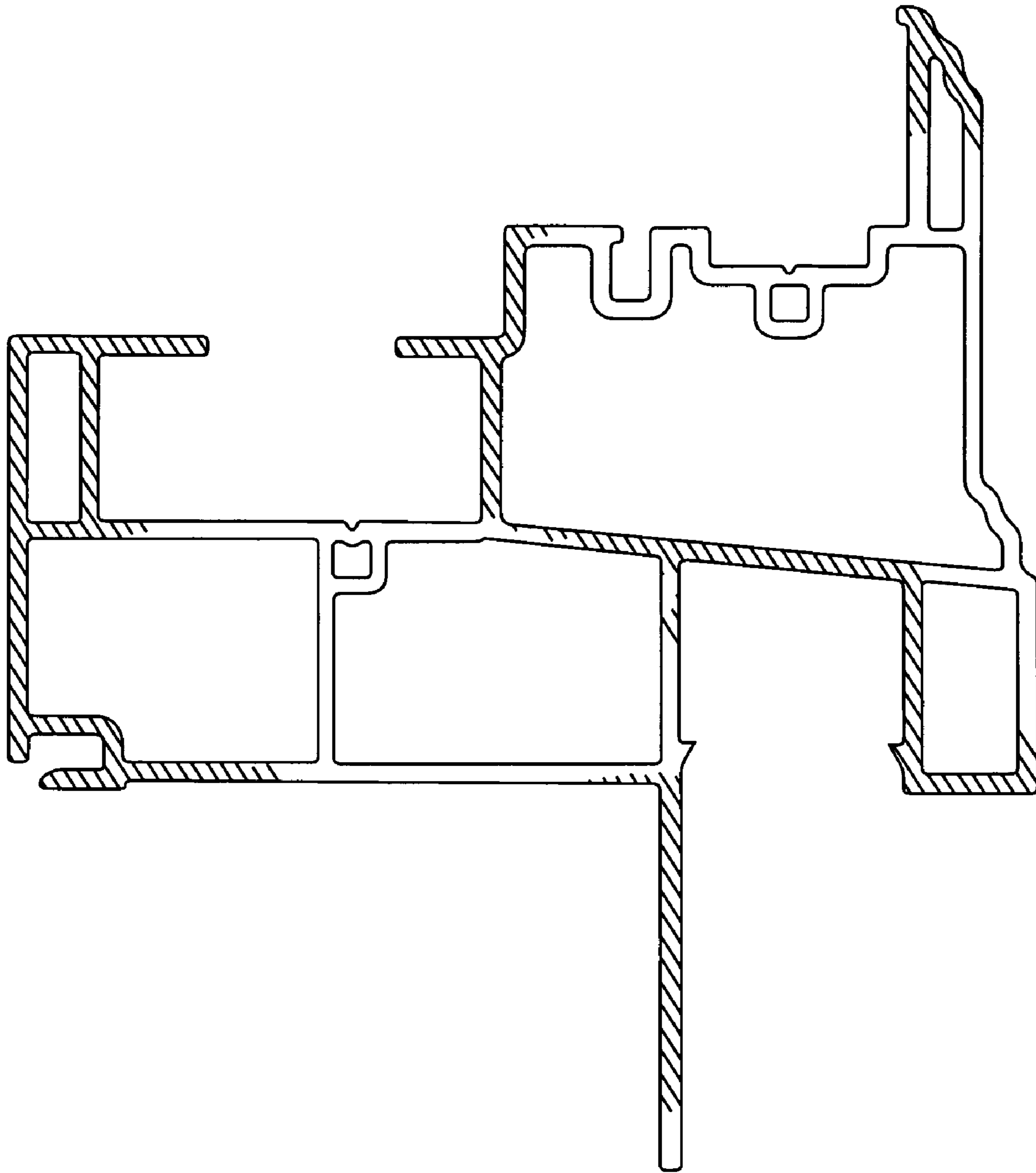


Fig. 3