



US00D590516S

(12) **United States Design Patent**  
**Campbell et al.**

(10) **Patent No.:** **US D590,516 S**  
(45) **Date of Patent:** **\*\* Apr. 14, 2009**

(54) **WINDOW FRAME PROFILE**  
(75) Inventors: **David Campbell**, Innisfil (CA); **Nina Sterlin**, Thornhill (CA)  
(73) Assignee: **Royal Group, Inc.**, Atlanta, GA (US)  
(\*\*) Term: **14 Years**  
(21) Appl. No.: **29/300,002**  
(22) Filed: **Feb. 7, 2008**  
(51) **LOC (9) Cl.** ..... **25-01**  
(52) **U.S. Cl.** ..... **D25/124**  
(58) **Field of Classification Search** ..... D25/124;  
52/204.1, 204.5, 204.51, 656.5, 656.6, 656.2,  
52/730.3; 49/501, 504, DIG. 2  
See application file for complete search history.

D444,894 S 7/2001 Marshall  
D452,575 S 12/2001 Edger  
D453,381 S 2/2002 Ballard et al.  
D453,575 S 2/2002 Scalzott  
D453,576 S 2/2002 Scalzott  
D453,844 S 2/2002 Scalzott  
D453,845 S 2/2002 Scalzott  
D453,846 S 2/2002 Scalzott  
D455,841 S 4/2002 Fisher et al.  
D458,690 S 6/2002 Roberts et al.  
D461,014 S 7/2002 Marshall  
D461,256 S 8/2002 Ballard et al.  
D461,570 S 8/2002 Ballard et al.  
D466,623 S 12/2002 Ballard et al.  
D466,627 S 12/2002 Morton et al.  
D467,355 S 12/2002 Ballard et al.  
D471,647 S 3/2003 Chaney et al.  
D487,933 S \* 3/2004 Habeck et al. .... D25/124  
D495,430 S 8/2004 Franson  
D496,742 S 9/2004 Franson

(56) **References Cited**

U.S. PATENT DOCUMENTS

5,099,624 A 3/1992 Valentin  
D402,054 S 12/1998 Leonelli  
D405,196 S 2/1999 Arcati et al.  
D406,653 S 3/1999 Morton et al.  
D412,585 S 8/1999 Arcati et al.  
D413,395 S 8/1999 Arcati et al.  
D417,919 S 12/1999 Hersh et al.  
6,006,478 A 12/1999 Hubner et al.  
D435,918 S 1/2001 Hauberg et al.  
D436,190 S 1/2001 Ballard et al.  
D436,412 S 1/2001 Hauberg et al.  
D436,413 S 1/2001 Habeck et al.  
6,182,405 B1 \* 2/2001 Lindahl ..... 52/204.1  
D438,644 S 3/2001 Habeck et al.  
D438,989 S 3/2001 Ballard et al.  
D439,679 S 3/2001 Ballard et al.  
D440,323 S 4/2001 Habeck et al.  
D440,324 S 4/2001 Habeck et al.  
D440,664 S 4/2001 Habeck et al.  
D440,665 S 4/2001 Habeck et al.  
D440,669 S 4/2001 Habeck et al.  
D441,099 S 4/2001 Habeck et al.  
D442,291 S 5/2001 Ballard et al.  
D443,076 S \* 5/2001 Fannan ..... D25/124

(Continued)

*Primary Examiner*—Doris Clark  
(74) *Attorney, Agent, or Firm*—Hunton & Williams LLP

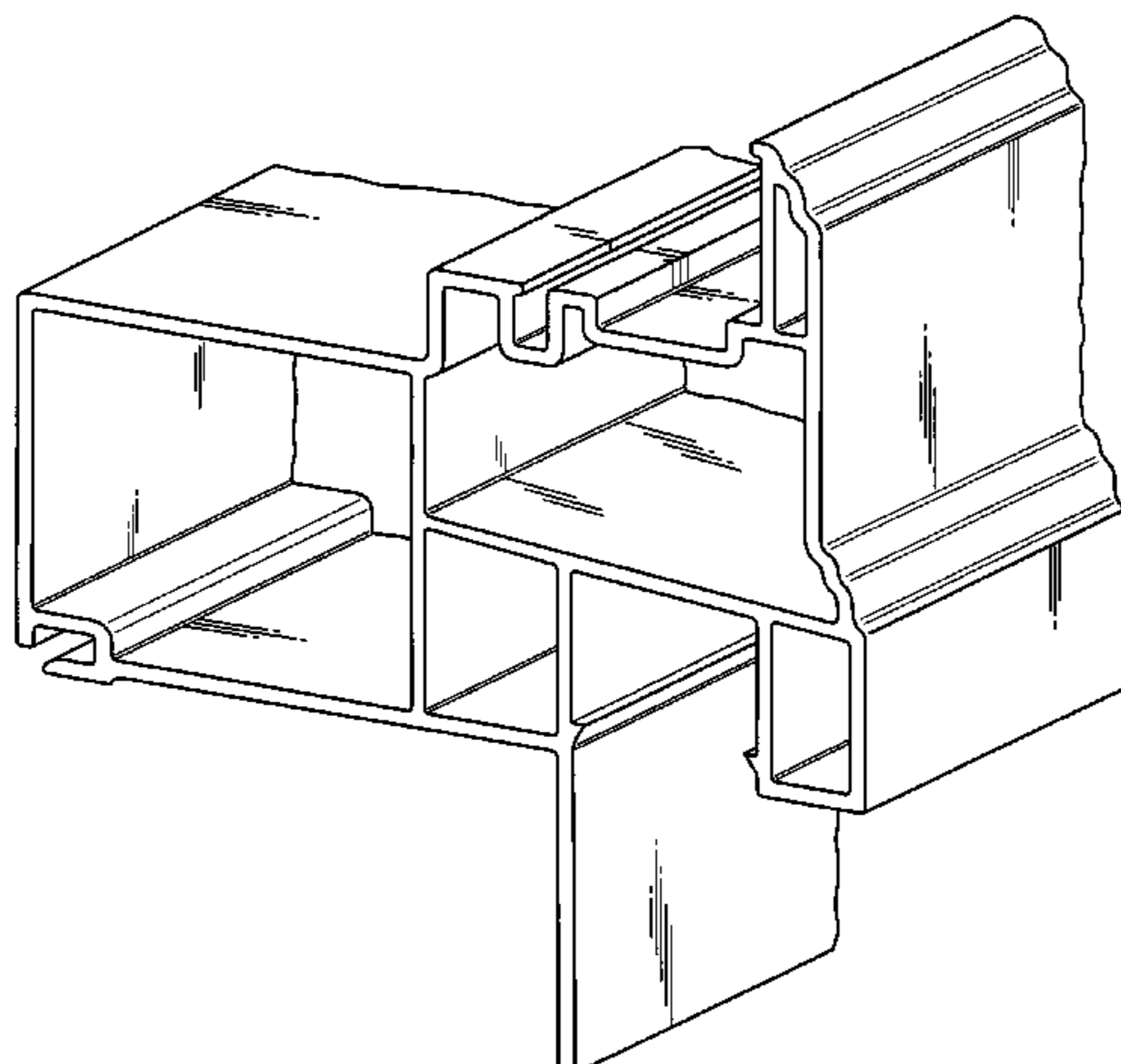
(57) **CLAIM**

We claim the ornamental design for a window frame profile, as shown and described.

**DESCRIPTION**

FIG. 1 is a fragmentary top right isometric view of a window frame profile showing the claimed design.  
FIG. 2 is a fragmentary bottom left isometric view of the window frame profile of FIG. 1; and,  
FIG. 3 is an end elevation view of the window frame profile of FIG. 1.  
The claimed design is broken on the end to indicate indeterminate length.

**1 Claim, 3 Drawing Sheets**



# US D590,516 S

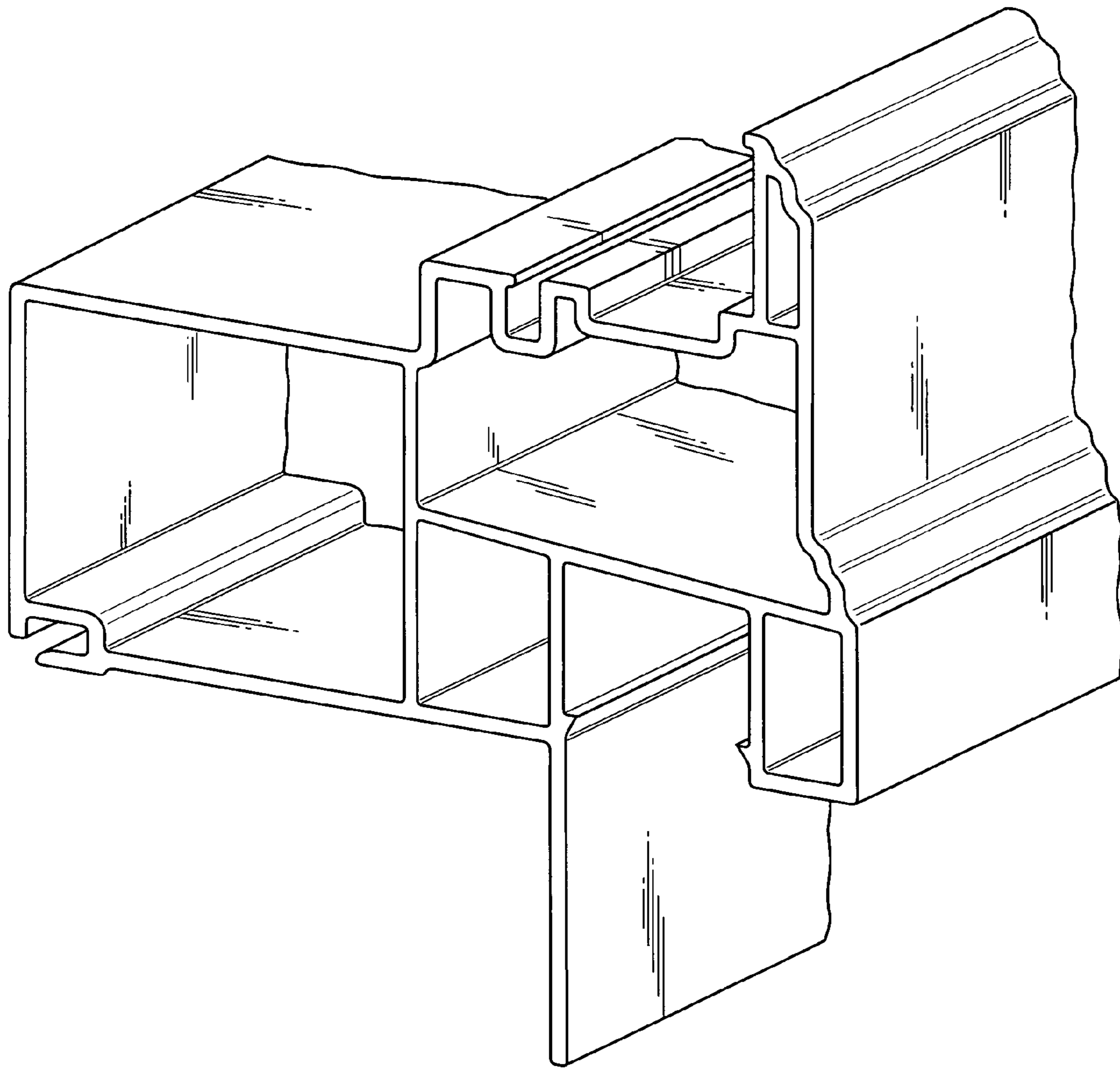
Page 2

---

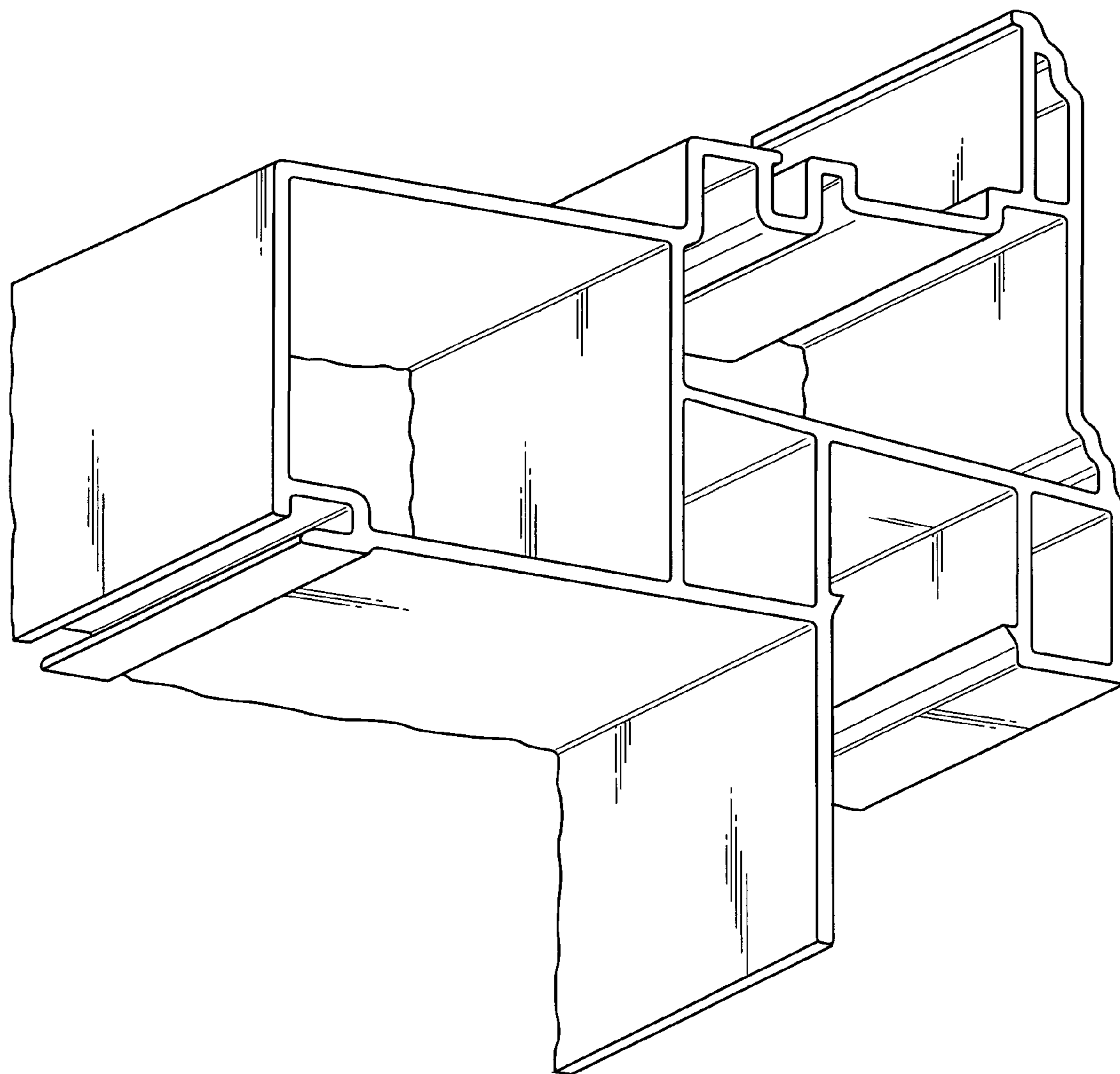
## U.S. PATENT DOCUMENTS

D500,561 S	1/2005	Franson	D550,862 S	9/2007	Brabeck et al.
6,857,232 B2	2/2005	Bealko	D552,260 S	10/2007	Franson
D502,555 S	3/2005	Fannan	D552,261 S	10/2007	Wickland
D505,503 S	5/2005	Wickland	D552,262 S	10/2007	Wickland
D537,540 S	2/2007	Franson	D552,761 S	10/2007	Wickland
D539,932 S	4/2007	Fannan	D552,762 S	10/2007	Wickland
D541,954 S	5/2007	Allen et al.	D552,763 S	10/2007	Wickland
D542,422 S	5/2007	Franson	D552,764 S	10/2007	Wickland
D546,975 S	7/2007	Allen et al.	D553,262 S	10/2007	Wickland
D546,976 S	7/2007	Ye	D553,762 S	10/2007	Schrader
D546,977 S	7/2007	Ye	D554,776 S	11/2007	Fannan
D546,978 S	7/2007	Ye	2003/0159374 A1	8/2003	Burgess
D546,979 S	7/2007	Ye	2004/0000093 A1	1/2004	Guelck

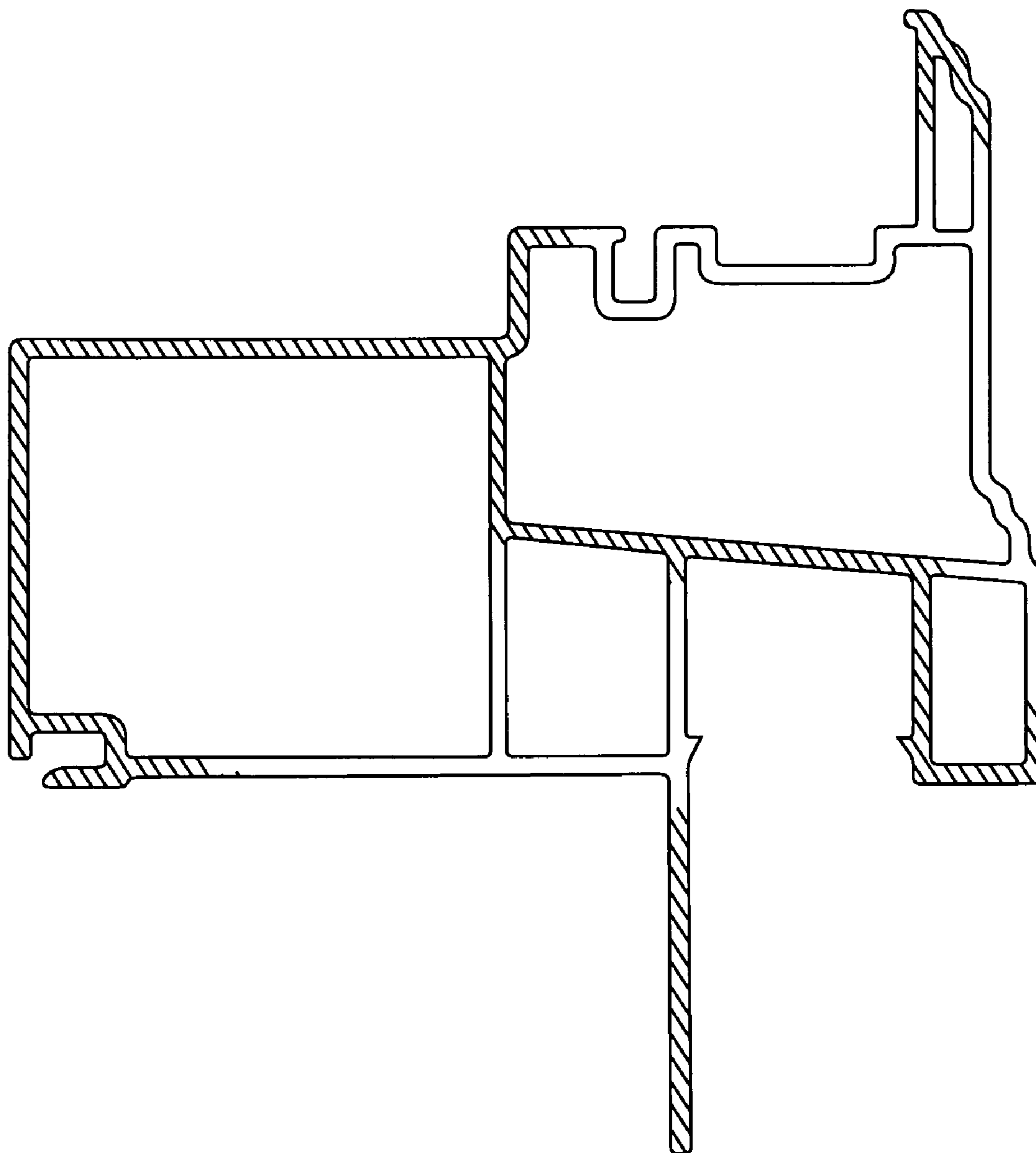
\* cited by examiner



**Fig. 1**



**Fig. 2**



**Fig. 3**