



US00D590515S

(12) **United States Design Patent**
Campbell et al.

(10) **Patent No.:** **US D590,515 S**
(45) **Date of Patent:** **** Apr. 14, 2009**

(54) **WINDOW FRAME PROFILE**
(75) Inventors: **David Campbell**, Innisfil (CA); **Nina Sterlin**, Thornhill (CA)
(73) Assignee: **Royal Group, Inc.**, Atlanta, GA (US)
(**) Term: **14 Years**
(21) Appl. No.: **29/300,001**
(22) Filed: **Feb. 7, 2008**
(51) **LOC (9) Cl.** **25-01**
(52) **U.S. Cl.** **D25/124**
(58) **Field of Classification Search** D25/124;
52/204.1, 204.5, 204.51, 656.5, 656.6, 656.2,
52/730.3; 49/501, 504, DIG. 2
See application file for complete search history.

D442,291 S 5/2001 Ballard et al.
D444,894 S 7/2001 Marshall
D452,575 S 12/2001 Edger
D453,381 S 2/2002 Ballard et al.
D453,575 S 2/2002 Scalzott
D453,576 S 2/2002 Scalzott
D453,844 S 2/2002 Scalzott
D453,845 S 2/2002 Scalzott
D453,846 S 2/2002 Scalzott
D455,841 S 4/2002 Fisher et al.
D458,690 S 6/2002 Roberts et al.
D461,014 S 7/2002 Marshall
D461,256 S 8/2002 Ballard et al.
D461,570 S 8/2002 Ballard et al.
D466,623 S 12/2002 Ballard et al.

(Continued)

(56) **References Cited**
U.S. PATENT DOCUMENTS

5,099,624 A 3/1992 Valentin
D375,803 S * 11/1996 Oliver D25/124
D402,054 S 12/1998 Leonelli
D405,196 S 2/1999 Arcati et al.
D406,653 S 3/1999 Morton et al.
D406,662 S * 3/1999 Morton et al. D25/124
D412,585 S 8/1999 Arcati et al.
D413,395 S 8/1999 Arcati et al.
D417,919 S 12/1999 Hersh et al.
6,006,478 A 12/1999 Hubner et al.
D435,918 S 1/2001 Hauberg et al.
D436,190 S 1/2001 Ballard et al.
D436,412 S 1/2001 Hauberg et al.
D436,413 S 1/2001 Habeck et al.
6,182,405 B1 * 2/2001 Lindahl 52/204.1
D438,644 S 3/2001 Habeck et al.
D438,989 S 3/2001 Ballard et al.
D439,679 S 3/2001 Ballard et al.
D440,323 S 4/2001 Habeck et al.
D440,324 S 4/2001 Habeck et al.
D440,664 S 4/2001 Habeck et al.
D440,665 S 4/2001 Habeck et al.
D440,669 S 4/2001 Habeck et al.
D441,099 S 4/2001 Habeck et al.

Primary Examiner—Doris Clark
(74) *Attorney, Agent, or Firm*—Hunton & Williams LLP

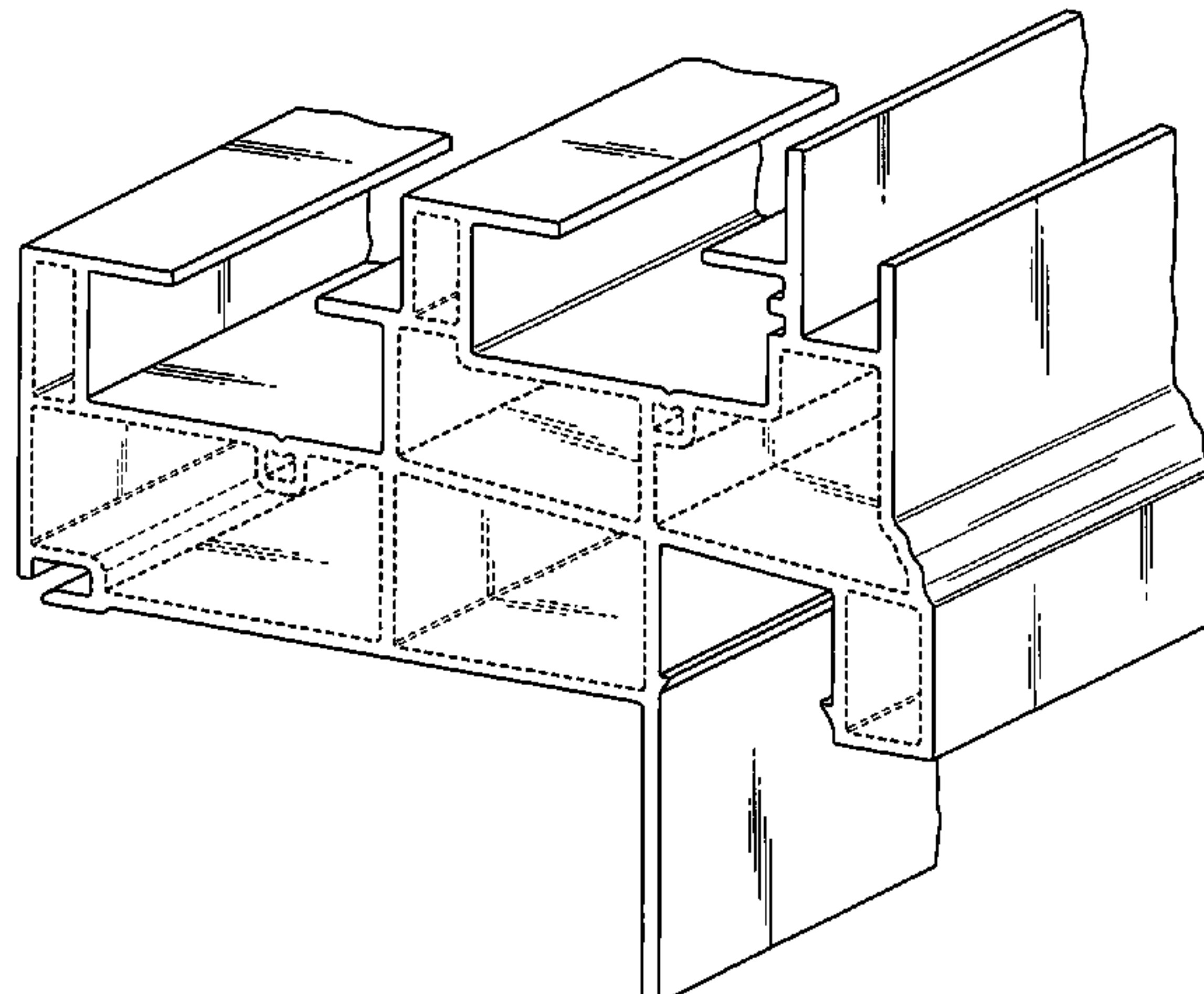
(57) **CLAIM**

We claim the ornamental design for a window frame profile, as shown and described.

DESCRIPTION

FIG. 1 is a fragmentary top right isometric view of a window frame profile showing the claimed design.
FIG. 2 is a fragmentary bottom left isometric view of the window frame profile of FIG. 1; and,
FIG. 3 is an end elevation view of the window frame profile of FIG. 1.
The claimed design is broken on the end to indicate indeterminate length.
The broken lines are for illustrative purposes only and form no part of the claimed design.

1 Claim, 3 Drawing Sheets



US D590,515 S

Page 2

U.S. PATENT DOCUMENTS

| | | | | | |
|--------------|---------|----------------|-----------------|---------|----------------|
| D466,627 S | 12/2002 | Morton et al. | D546,977 S | 7/2007 | Ye |
| D467,355 S | 12/2002 | Ballard et al. | D546,978 S | 7/2007 | Ye |
| D471,647 S | 3/2003 | Chaney et al. | D546,979 S | 7/2007 | Ye |
| D495,430 S | 8/2004 | Franson | D550,862 S | 9/2007 | Brabeck et al. |
| D496,742 S | 9/2004 | Franson | D552,260 S | 10/2007 | Franson |
| D500,561 S | 1/2005 | Franson | D552,261 S | 10/2007 | Wickland |
| 6,857,232 B2 | 2/2005 | Bealko | D552,262 S | 10/2007 | Wickland |
| D502,555 S | 3/2005 | Fannan | D552,761 S | 10/2007 | Wickland |
| D505,503 S | 5/2005 | Wickland | D552,762 S | 10/2007 | Wickland |
| D537,540 S | 2/2007 | Franson | D552,763 S | 10/2007 | Wickland |
| D539,932 S | 4/2007 | Fannan | D552,764 S | 10/2007 | Wickland |
| D541,954 S | 5/2007 | Allen et al. | D553,262 S | 10/2007 | Wickland |
| D542,422 S | 5/2007 | Franson | D553,762 S | 10/2007 | Schrader |
| D546,975 S | 7/2007 | Allen et al. | D554,776 S | 11/2007 | Fannan |
| D546,976 S | 7/2007 | Ye | 2003/0159374 A1 | 8/2003 | Burgess |
| | | | 2004/0000093 A1 | 1/2004 | Guelck |

* cited by examiner

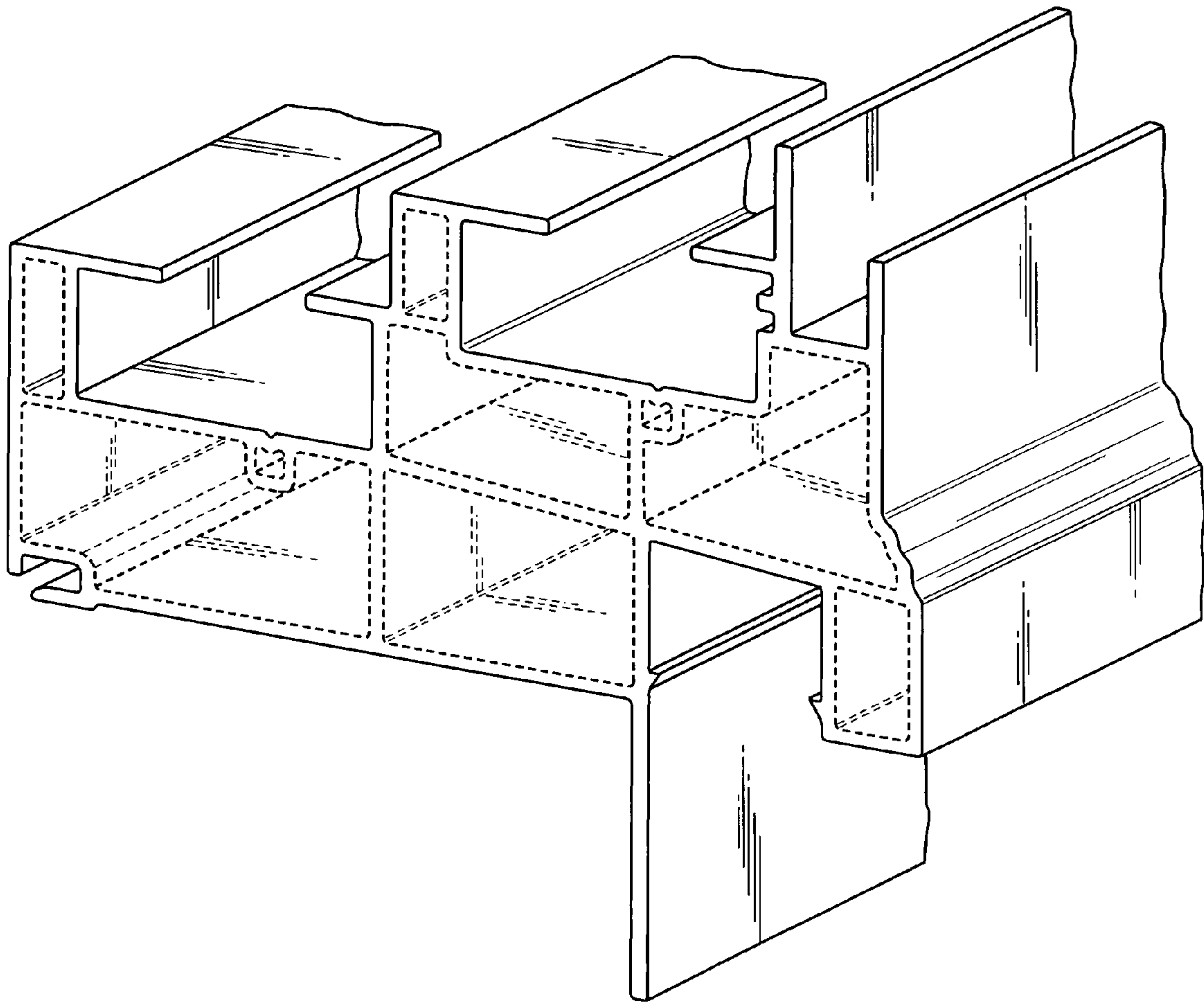


Fig. 1

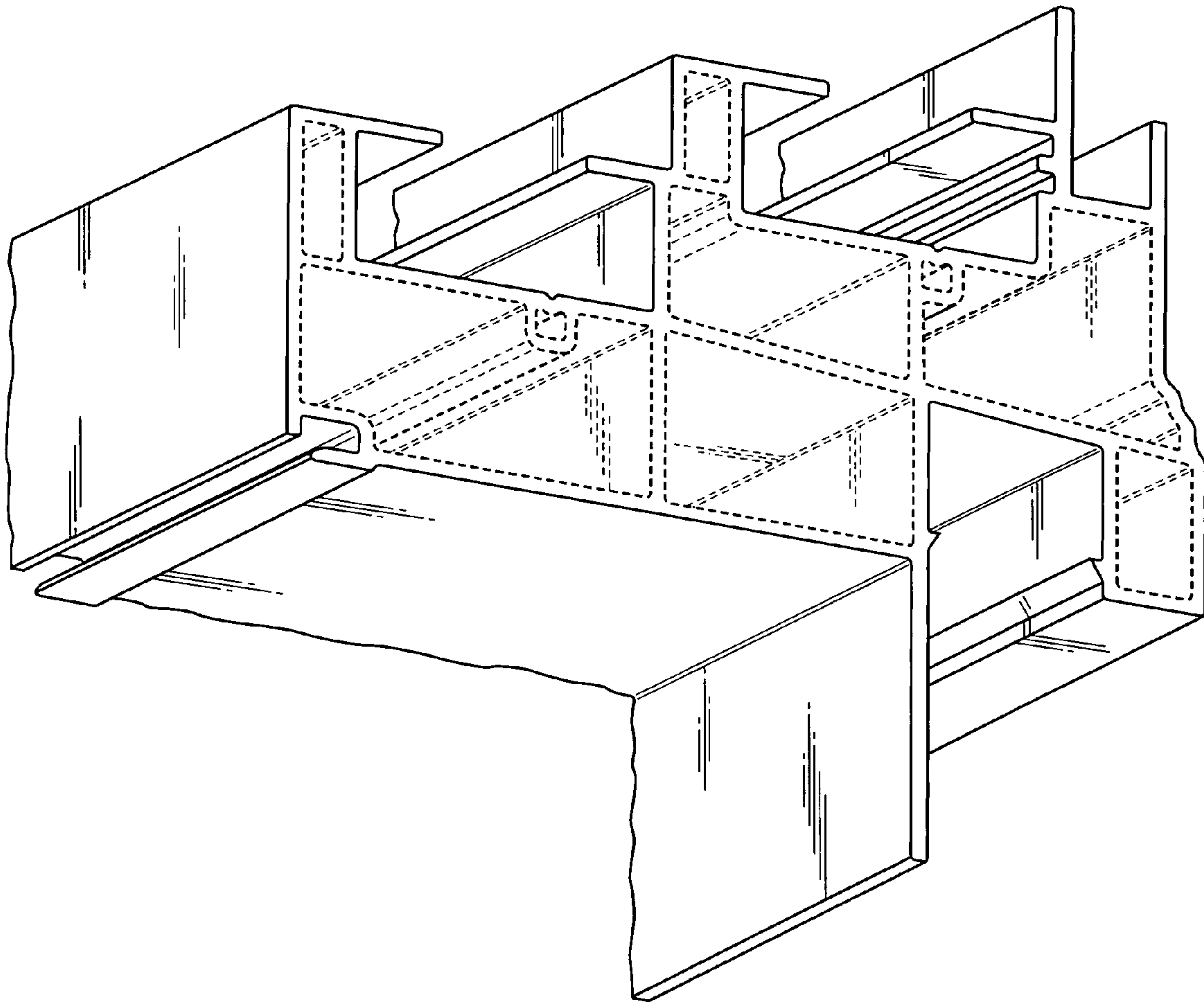


Fig. 2

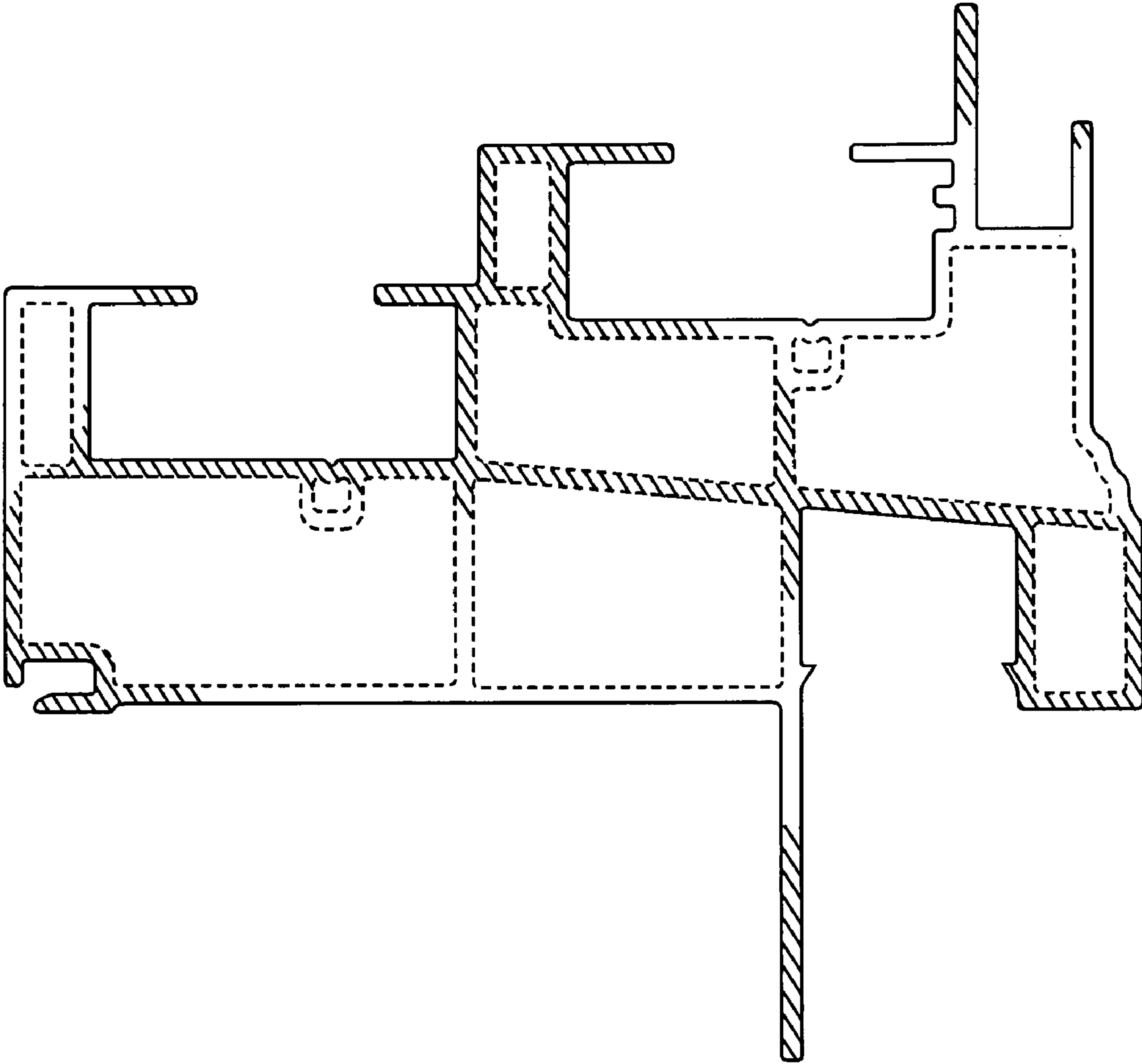


Fig. 3