



US00D590506S

(12) **United States Design Patent**  
**Krishnan**

(10) **Patent No.:** **US D590,506 S**

(45) **Date of Patent:** **\*\* Apr. 14, 2009**

(54) **DIAGNOSTIC DEVICE**

(75) Inventor: **Srinivasan S. Krishnan**, Stamford, CT  
(US)

(73) Assignee: **Conopco, Inc.**, Englewood Cliffs, NJ  
(US)

(\*\*) Term: **14 Years**

(21) Appl. No.: **29/303,141**

(22) Filed: **Feb. 1, 2008**

(51) **LOC (9) Cl.** ..... **23-01**

(52) **U.S. Cl.** ..... **D24/186**

(58) **Field of Classification Search** ..... D24/186,  
D24/107, 133, 158, 165; D28/9, 99; 600/547;  
604/289; D10/52; D26/58

See application file for complete search history.

(56) **References Cited**

**U.S. PATENT DOCUMENTS**

- D445,504 S \* 7/2001 Deaton et al. .... D24/165
- D492,997 S \* 7/2004 DiStasio ..... D24/158
- D547,437 S \* 7/2007 Asai ..... D24/107
- D548,326 S \* 8/2007 Asai ..... D24/107

- D557,403 S \* 12/2007 Asai ..... D24/107
- D564,663 S \* 3/2008 Udagawa et al. .... D24/158

\* cited by examiner

*Primary Examiner*—Robert A. Delehanty

*Assistant Examiner*—Mark Cavanna

(74) *Attorney, Agent, or Firm*—Edward A. Squillante, Jr.

(57) **CLAIM**

The ornamental design for diagnostic device, as shown and described.

**DESCRIPTION**

FIG. 1 is a perspective view of a diagnostic device in accordance with my new design;

FIG. 2 is a top plan view thereof;

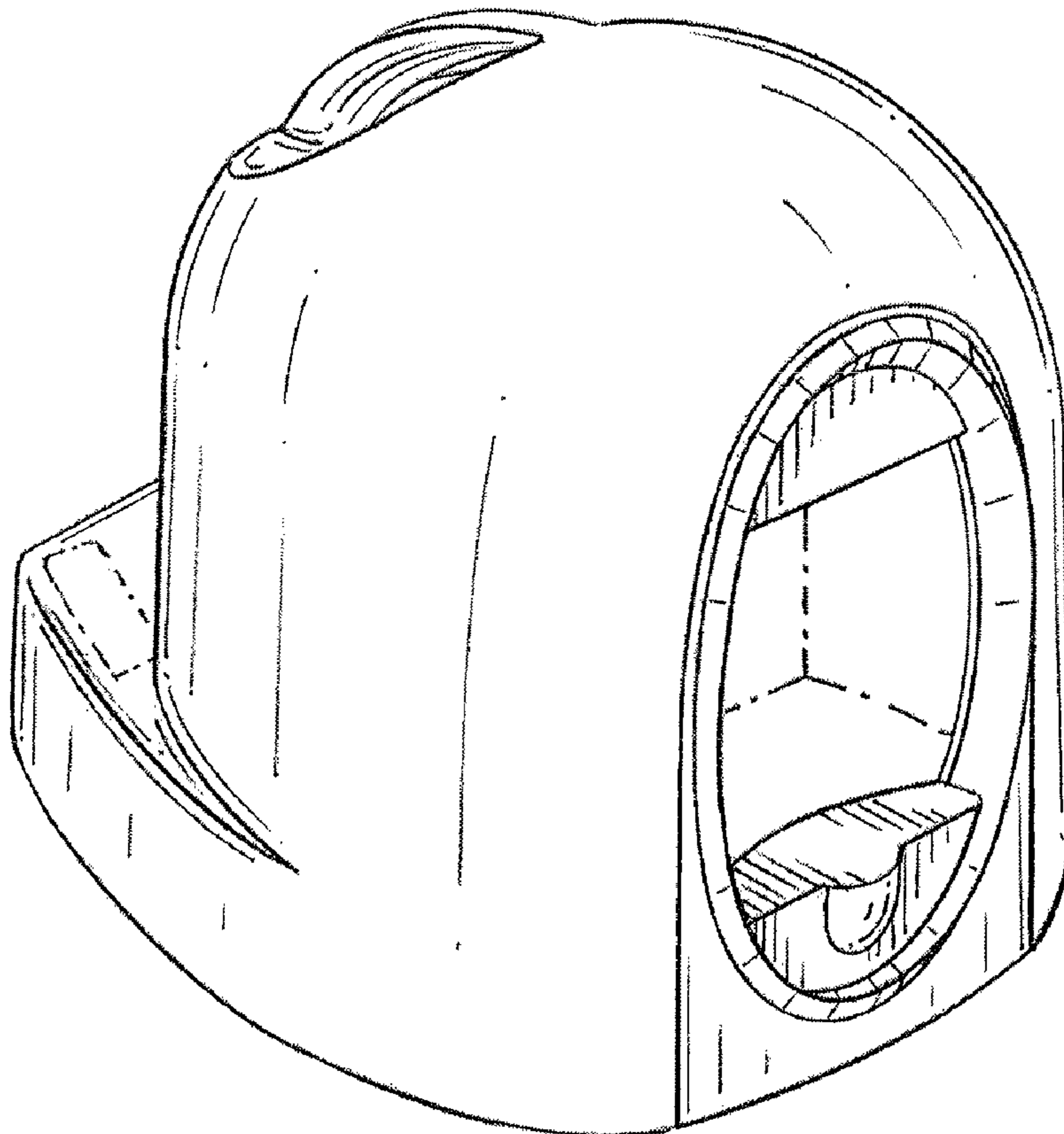
FIG. 3 is a front view thereof;

FIG. 4 is a right side view, the left side view is mirror image thereof; and,

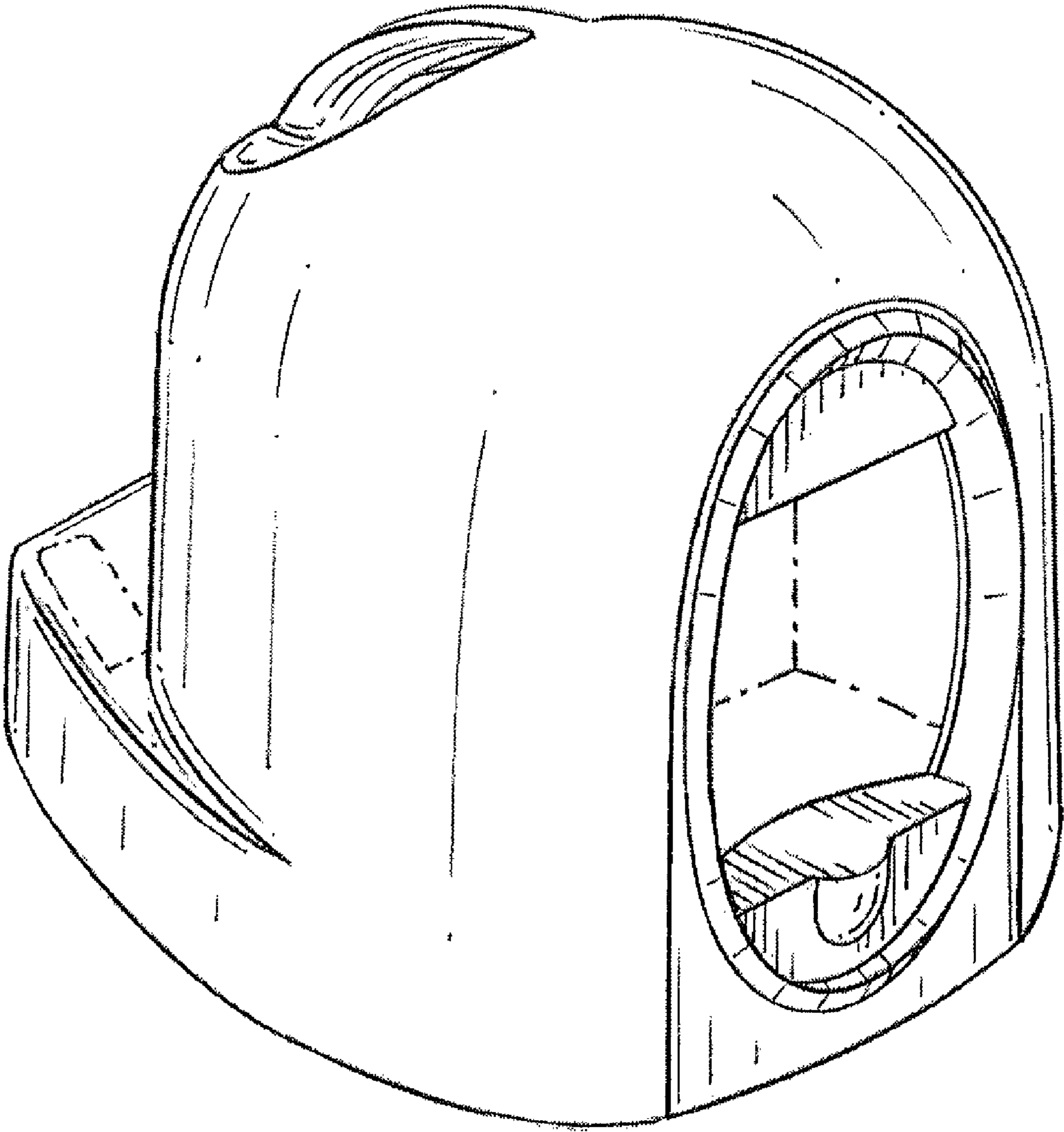
FIG. 5 is a rear view thereof.

The broken lines are included for the purpose of illustrating portions of the diagnostic device that forms no part of the claimed design.

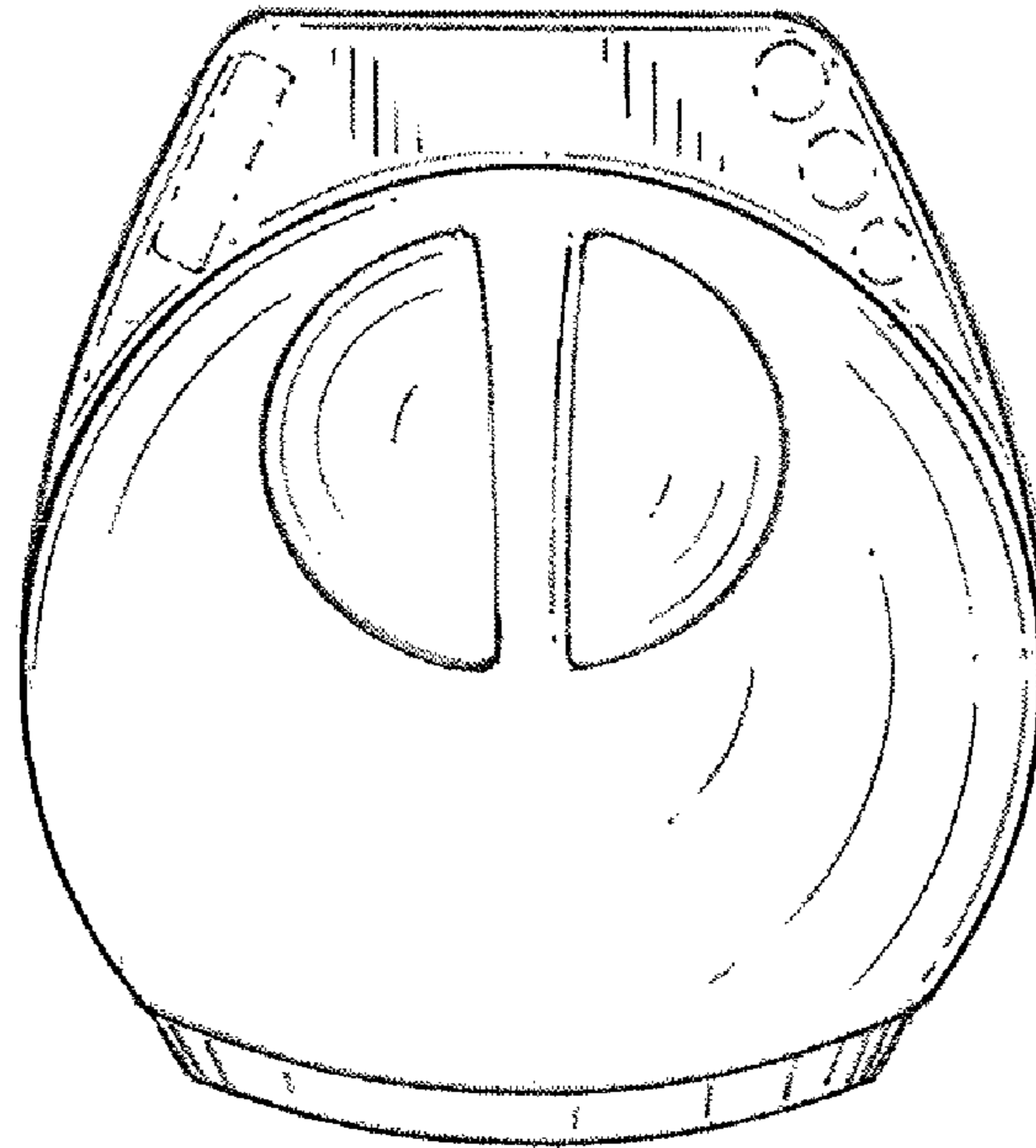
**1 Claim, 3 Drawing Sheets**



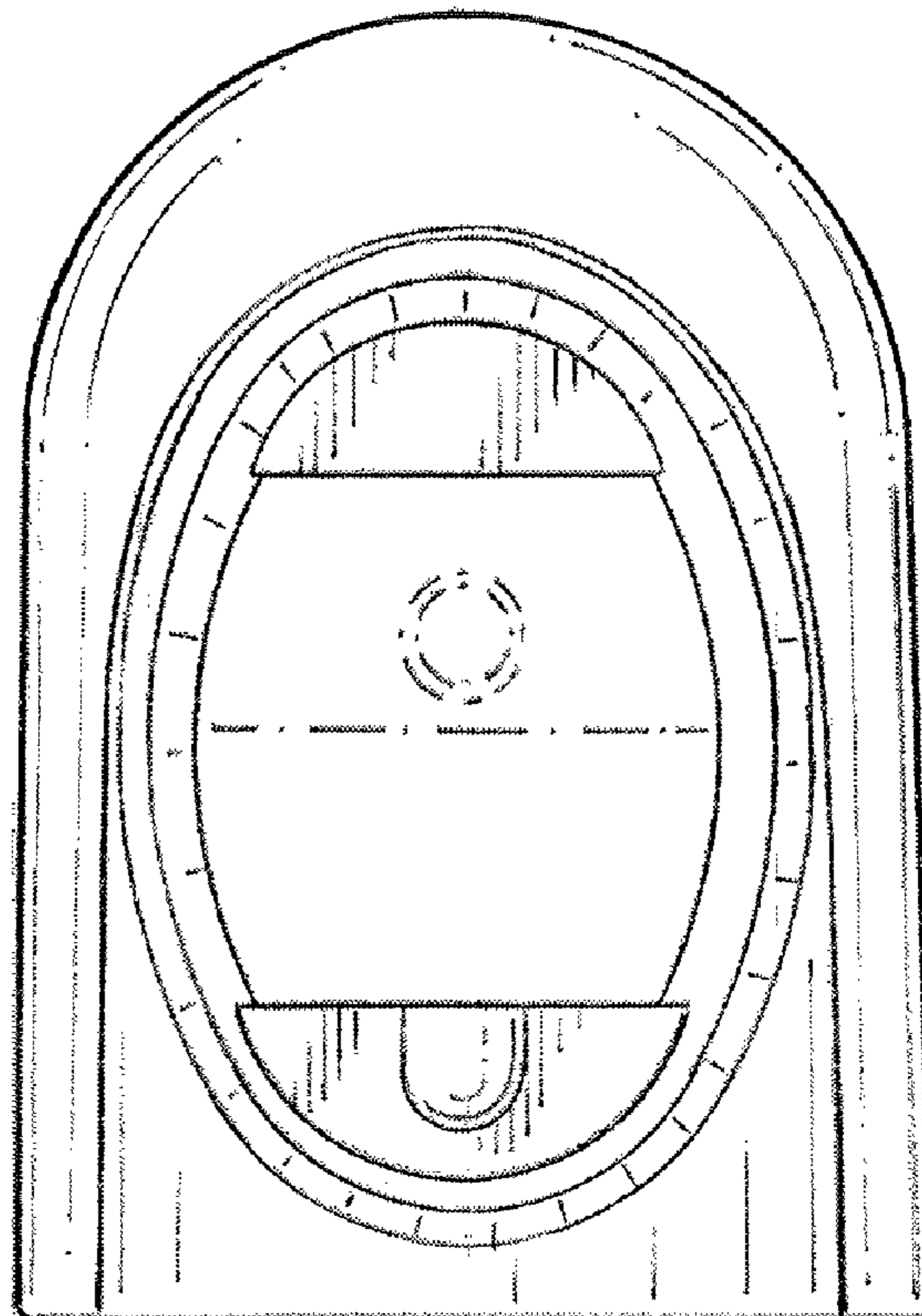
**FIG. 1**



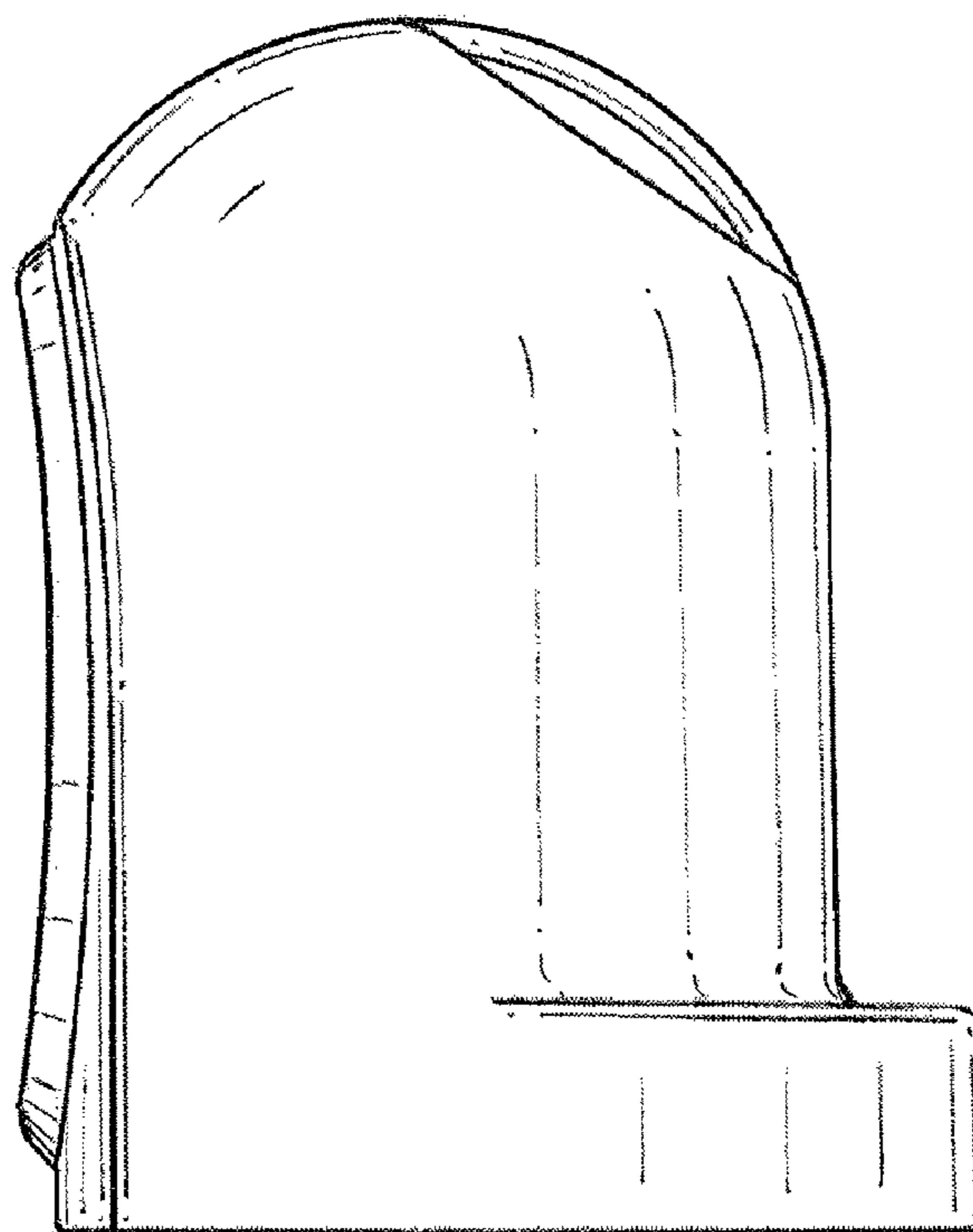
**FIG. 2**



**FIG. 3**



**FIG. 4**



**FIG. 5**

