



US00D590504S

(12) **United States Design Patent**
Ogiwara

(10) **Patent No.:** **US D590,504 S**

(45) **Date of Patent:** **** Apr. 14, 2009**

(54) **SCANNER FOR AN X-RAY TOMOGRAPHY
DIAGNOSIS APPARATUS**

(75) Inventor: **Susumu Ogiwara**, Tokyo (JP)

(73) Assignees: **Kabushiki Kaisha Toshiba**, Tokyo (JP);
Toshiba Medical Systems Corporation,
Otawara-shi (JP)

(**) Term: **14 Years**

(21) Appl. No.: **29/295,030**

(22) Filed: **Sep. 20, 2007**

(30) **Foreign Application Priority Data**

May 8, 2007 (JP) 2007-012035

(51) **LOC (9) Cl.** **24-01**

(52) **U.S. Cl.** **D24/158**

(58) **Field of Classification Search** D24/158-161,
D24/183, 186; 378/4, 15, 17, 19, 20, 21-27;
600/409, 410, 425, 476

See application file for complete search history.

(56) **References Cited**

U.S. PATENT DOCUMENTS

D270,182 S	8/1983	Wagner	
D323,711 S *	2/1992	Takekoshi et al.	D24/159
D399,958 S	10/1998	Hiramatsu	
D414,868 S	10/1999	Baars	
D417,734 S	12/1999	Benders	
D420,134 S	2/2000	Kitayama	
D432,655 S	10/2000	Benders	
D527,105 S	8/2006	Kitayama et al.	

7,155,274 B1 *	12/2006	Wake et al.	378/4
D557,418 S *	12/2007	Onuma et al.	D24/158
D564,096 S *	3/2008	Banryu	D24/158
D566,843 S *	4/2008	Ogiwara	D24/158
2001/0053203 A1 *	12/2001	Ishii et al.	378/117

FOREIGN PATENT DOCUMENTS

JP	1156807	10/2002
JP	1282243	9/2006

* cited by examiner

Primary Examiner—T. Chase Nelson

Assistant Examiner—Anhdao Doan

(74) *Attorney, Agent, or Firm*—Banner & Witcoff, Ltd.

(57) **CLAIM**

The ornamental design for a scanner for an X-ray tomography diagnosis apparatus, as shown and described.

DESCRIPTION

FIG. 1 is a front, top and left side perspective view of a scanner for an X-ray tomography diagnosis apparatus, showing my new design;

FIG. 2 is a front elevational view thereof;

FIG. 3 is a rear elevational view thereof;

FIG. 4 is a top plan view thereof;

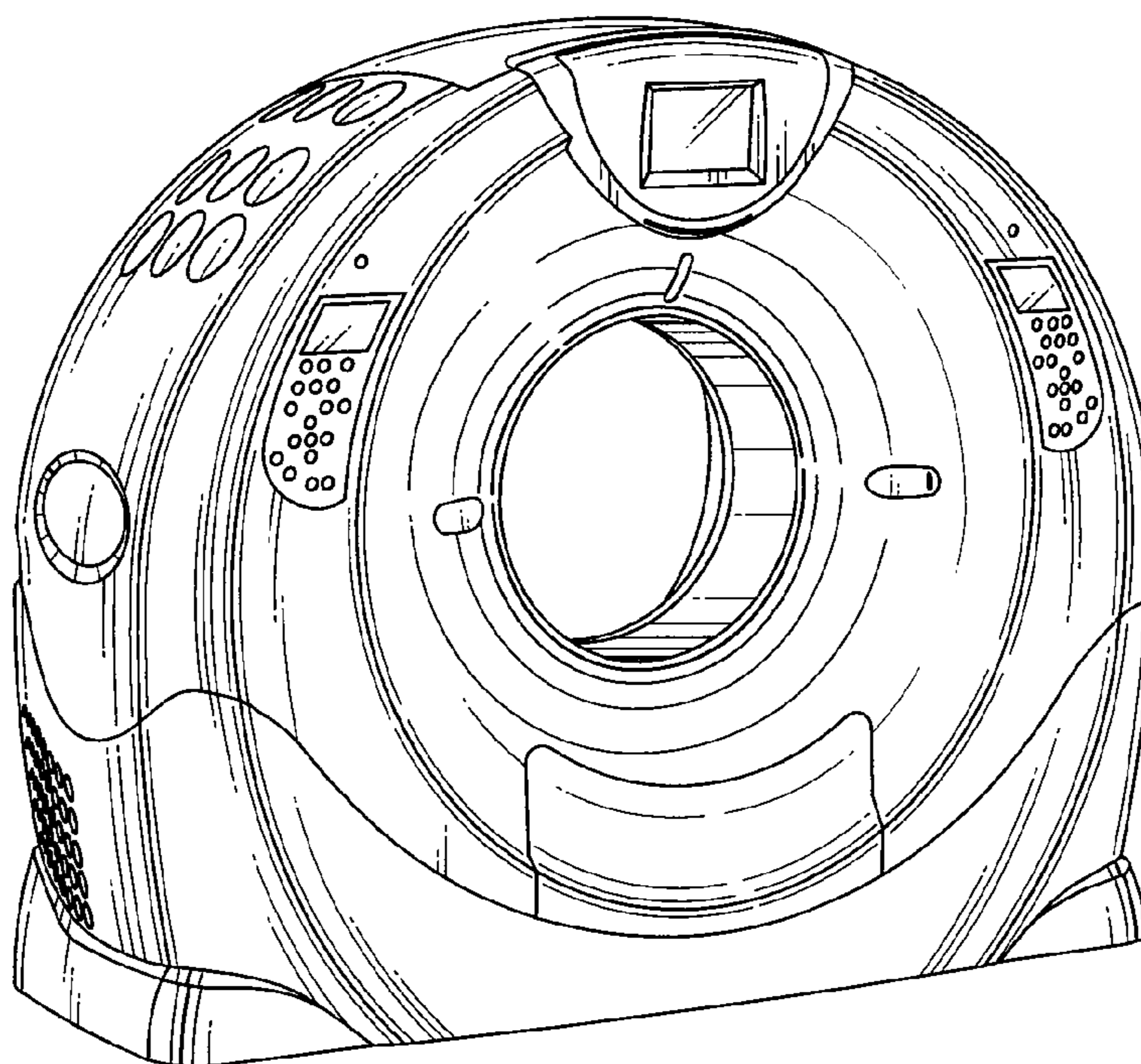
FIG. 5 is a bottom plan view thereof;

FIG. 6 is a left side elevational view thereof;

FIG. 7 is a right side elevational view thereof; and,

FIG. 8 is a right side elevational view thereof in a tilted state.

1 Claim, 4 Drawing Sheets



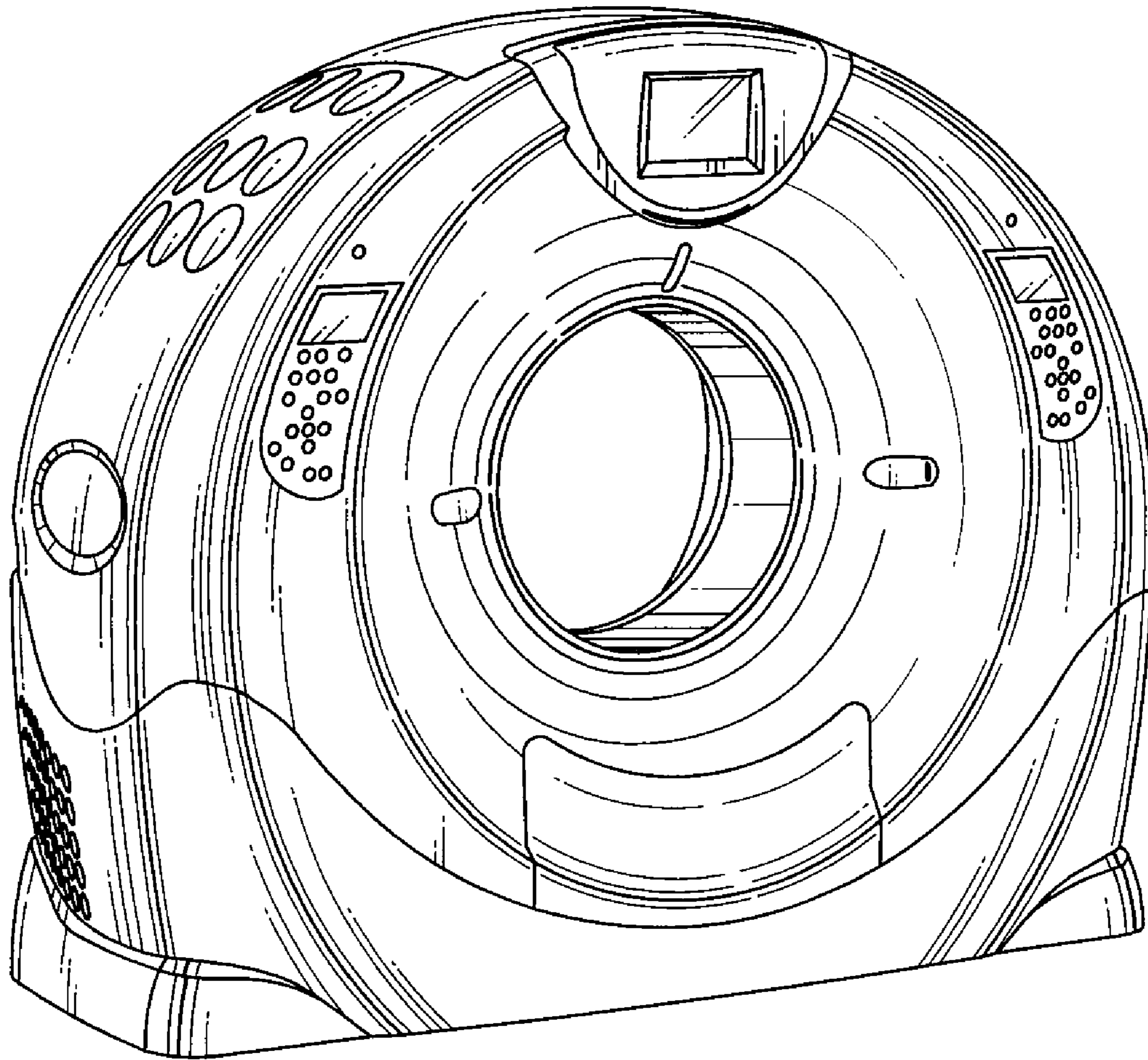


FIG. 1

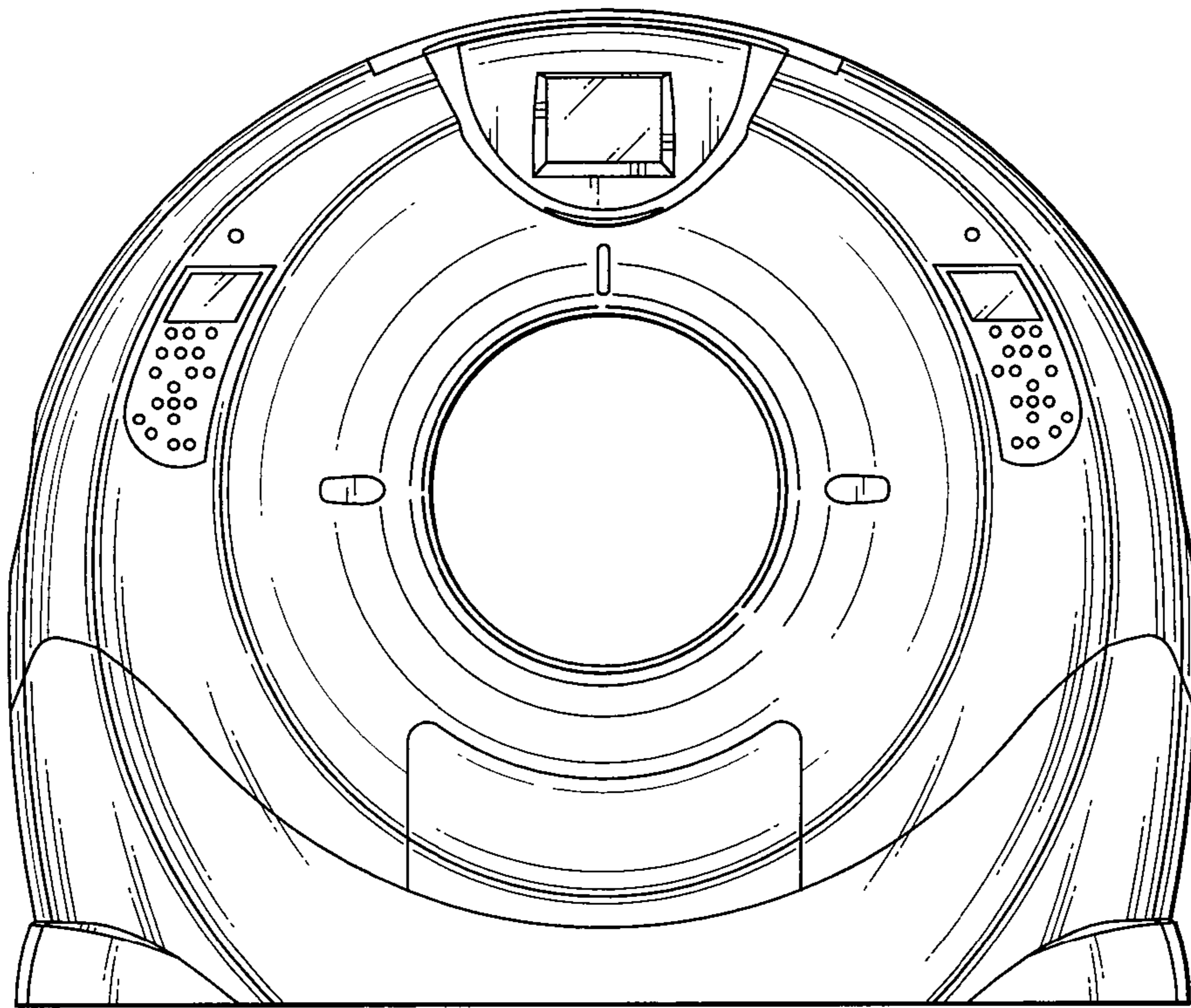


FIG. 2

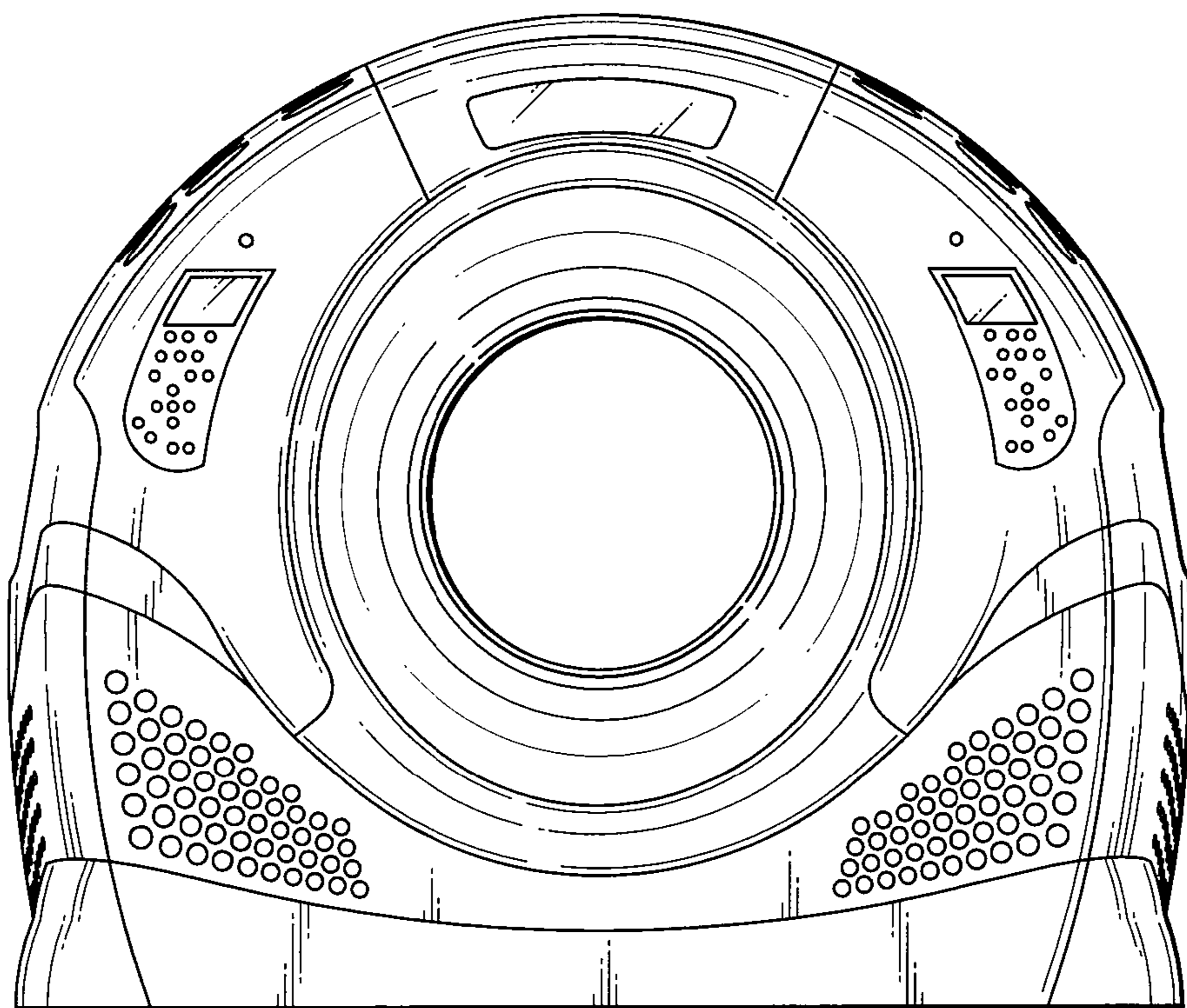


FIG. 3

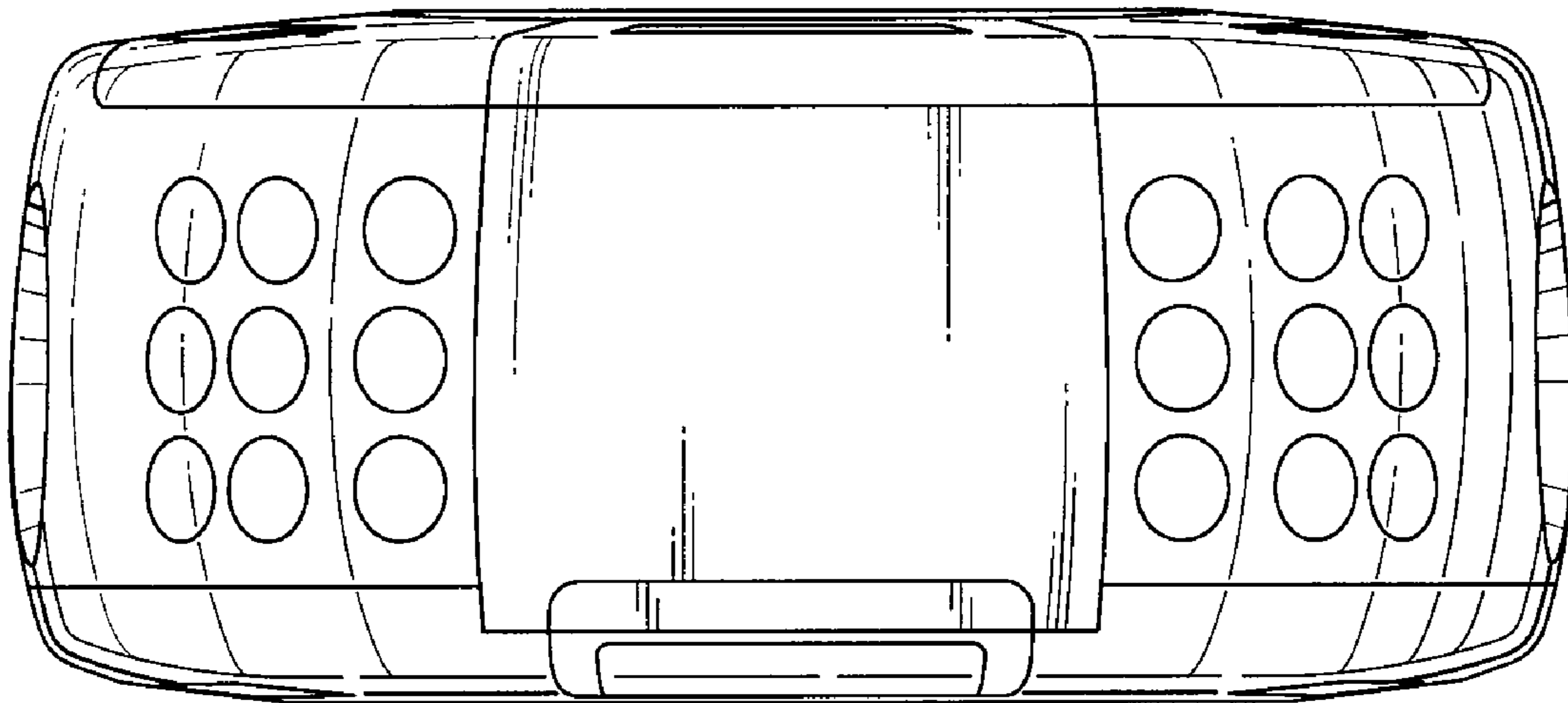


FIG. 4

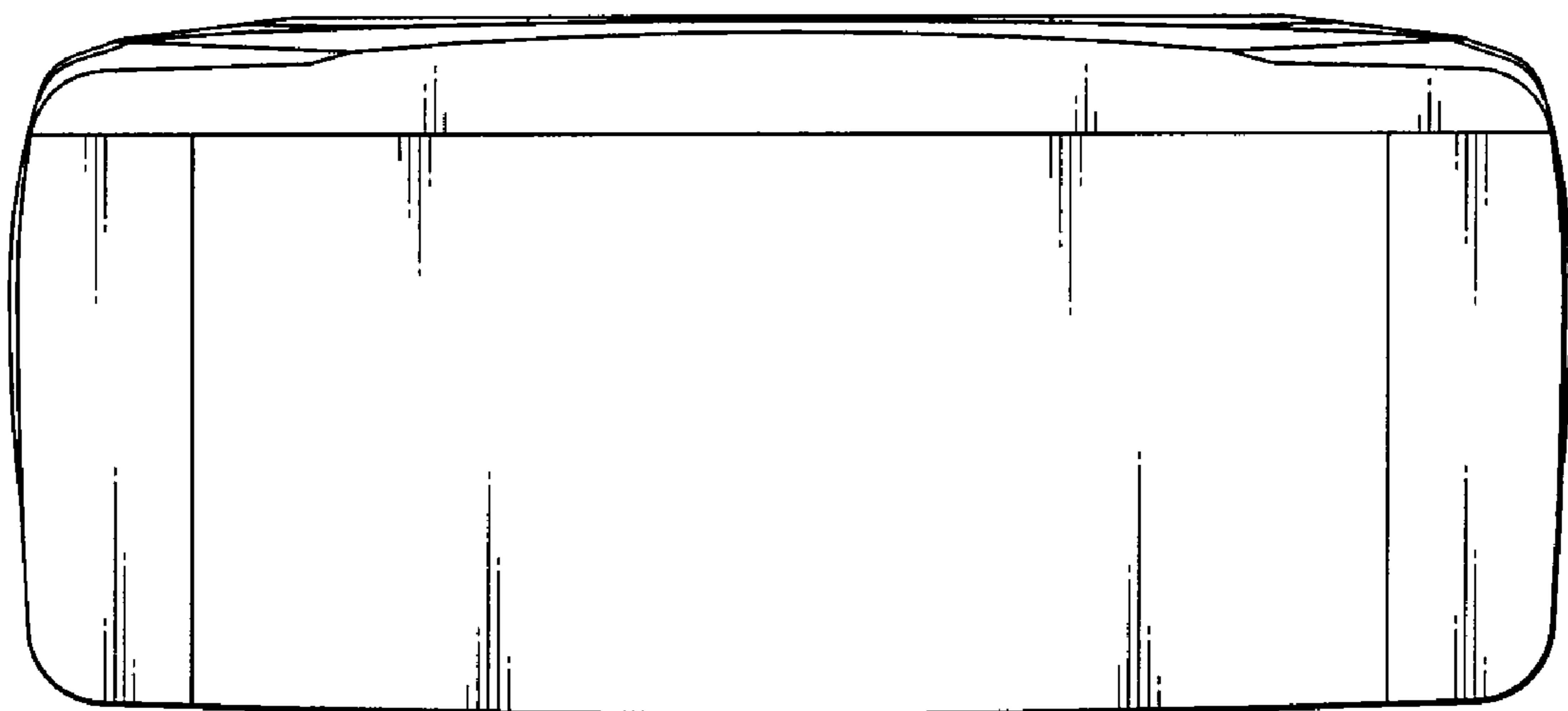


FIG. 5

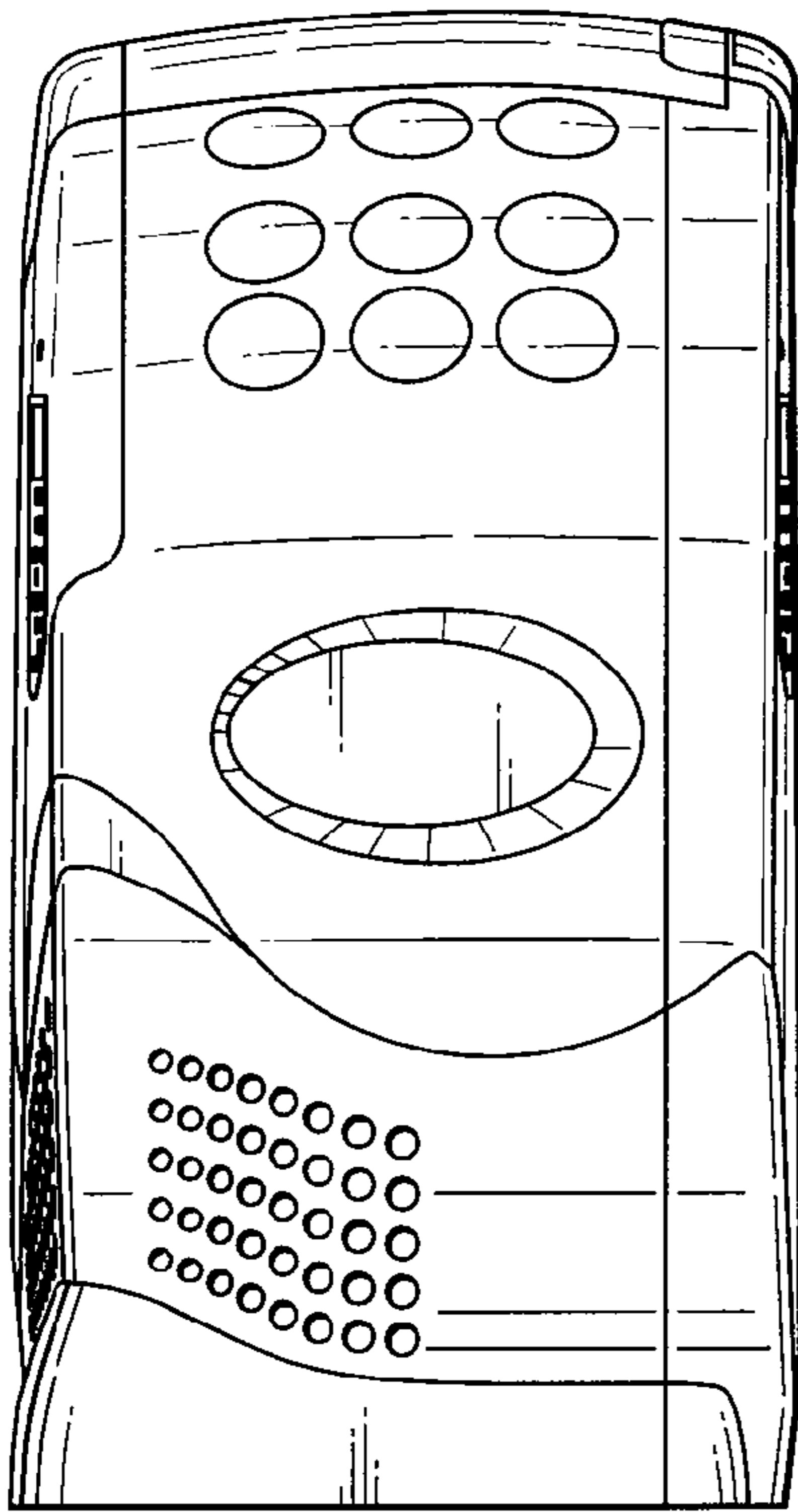


FIG. 6

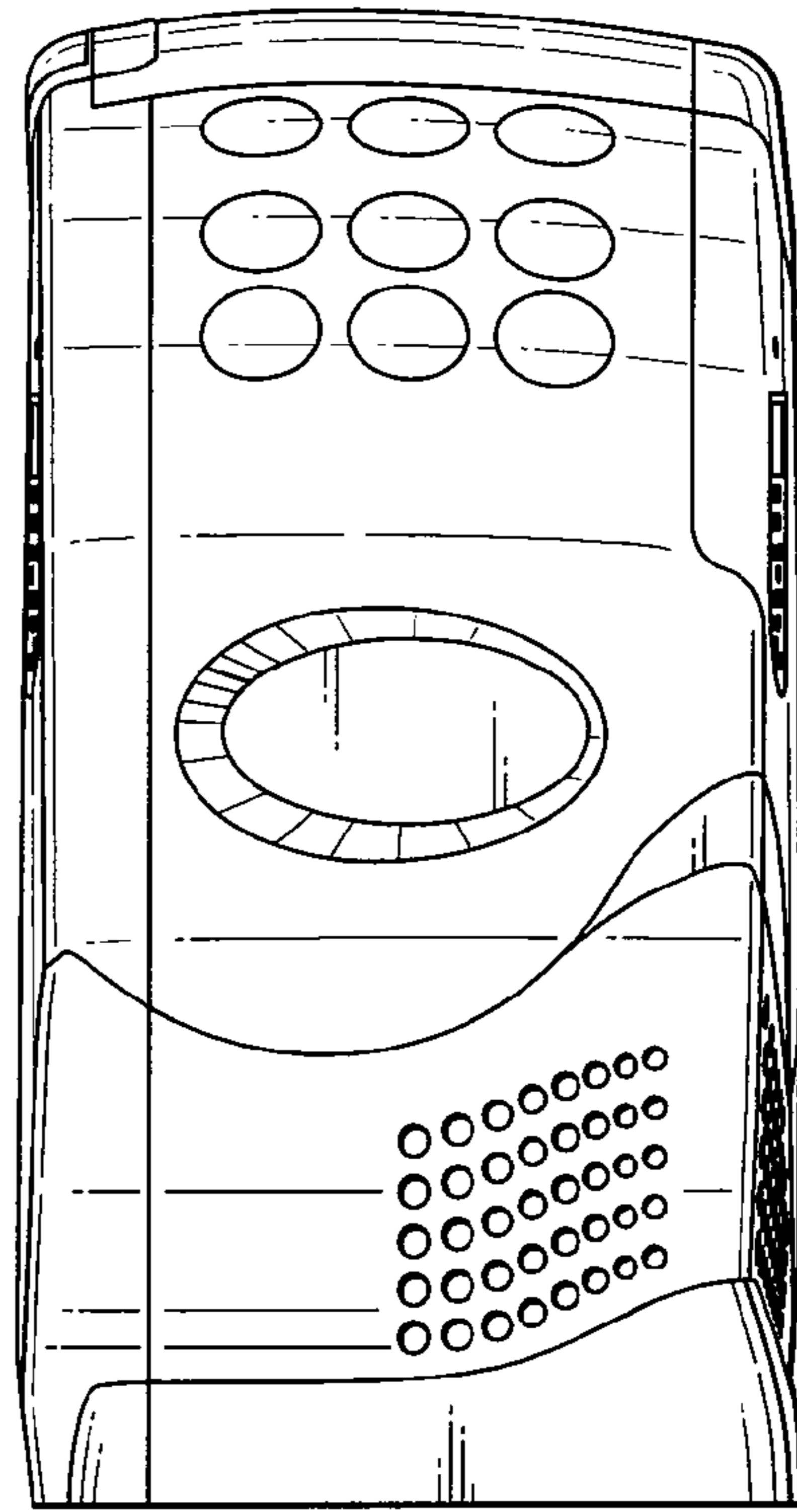


FIG. 7

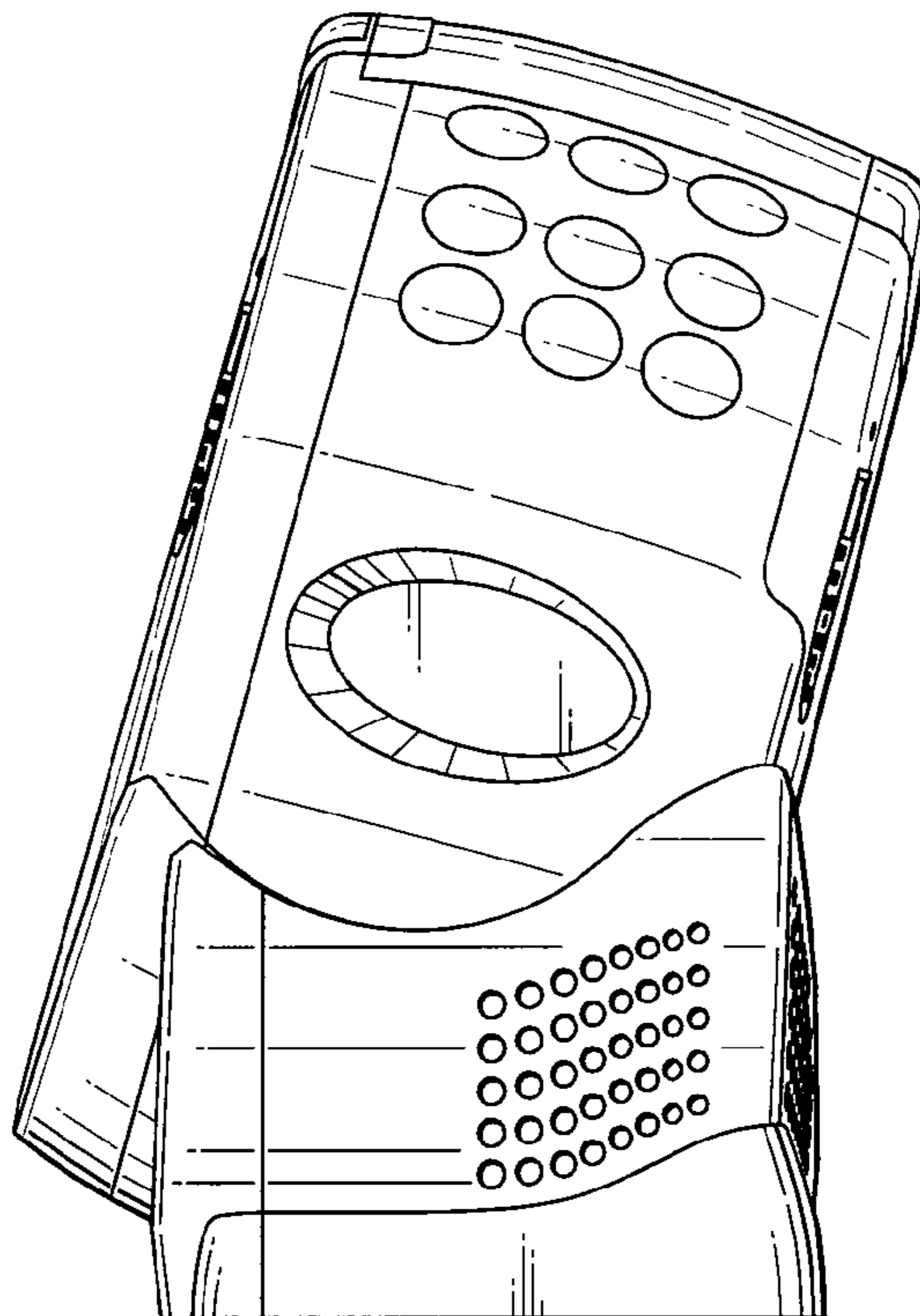


FIG. 8