



US00D590497S

(12) **United States Design Patent**
Noble

(10) **Patent No.:** **US D590,497 S**
(45) **Date of Patent:** **** Apr. 14, 2009**

(54) **SCREW CAP SPOON WITH ATTACHED LID**

DESCRIPTION

- (75) Inventor: **Terrance O. Noble**, Burnsville, MN (US)
- (73) Assignee: **Apothecary Products, Inc.**, Burnsville, MN (US)
- (**) Term: **14 Years**
- (21) Appl. No.: **29/278,778**
- (22) Filed: **Apr. 10, 2007**
- (51) **LOC (9) Cl.** **24-02**
- (52) **U.S. Cl.** **D24/116**
- (58) **Field of Classification Search** D24/116, D24/117, 121, 112, 111, 193, 133, 224; D7/589, D7/653, 691; 30/324-328; 222/205, 192; D10/46.2; D9/716, 719, 537, 547, 731, 717, D9/738, 746; D27/184; 604/192; 600/567
See application file for complete search history.

FIG. 1 is a perspective view of a first embodiment of a screw cap spoon with attached lid in accordance with the present disclosure.

FIG. 2 is a front view thereof, the right, left and rear views thereof being identical;

FIG. 3 is a top view thereof;

FIG. 4 is an exploded perspective view thereof with the lid and spoon sections separated;

FIG. 5 is a perspective view of the spoon section with the lid removed;

FIG. 6 is a front view thereof;

FIG. 7 is a rear view thereof;

FIG. 8 is a right side view thereof;

FIG. 9 is a left side view thereof;

FIG. 10 is a top view thereof;

FIG. 11 is a perspective view of a second embodiment of a screw cap spoon with attached lid in accordance with the present disclosure.

FIG. 12 is a front view thereof, the right, left and rear views thereof being identical;

FIG. 13 is a top view thereof;

FIG. 14 is an exploded perspective view thereof with the lid and spoon sections separated;

FIG. 15 is a perspective view of the spoon section with the lid removed;

FIG. 16 is a front view thereof;

FIG. 17 is a rear view thereof;

FIG. 18 is a right side view thereof;

FIG. 19 is a left side view thereof; and,

FIG. 20 is a top view thereof.

The features shown in broken lines depict environmental subject matter only and form no part of the claimed design.

(56) **References Cited**

U.S. PATENT DOCUMENTS

D247,840 S * 5/1978 Dixon D24/224

(Continued)

OTHER PUBLICATIONS

Medco Supply Company; prior art product 1, available prior to filing date of Apr. 10, 2007, 2 pages.

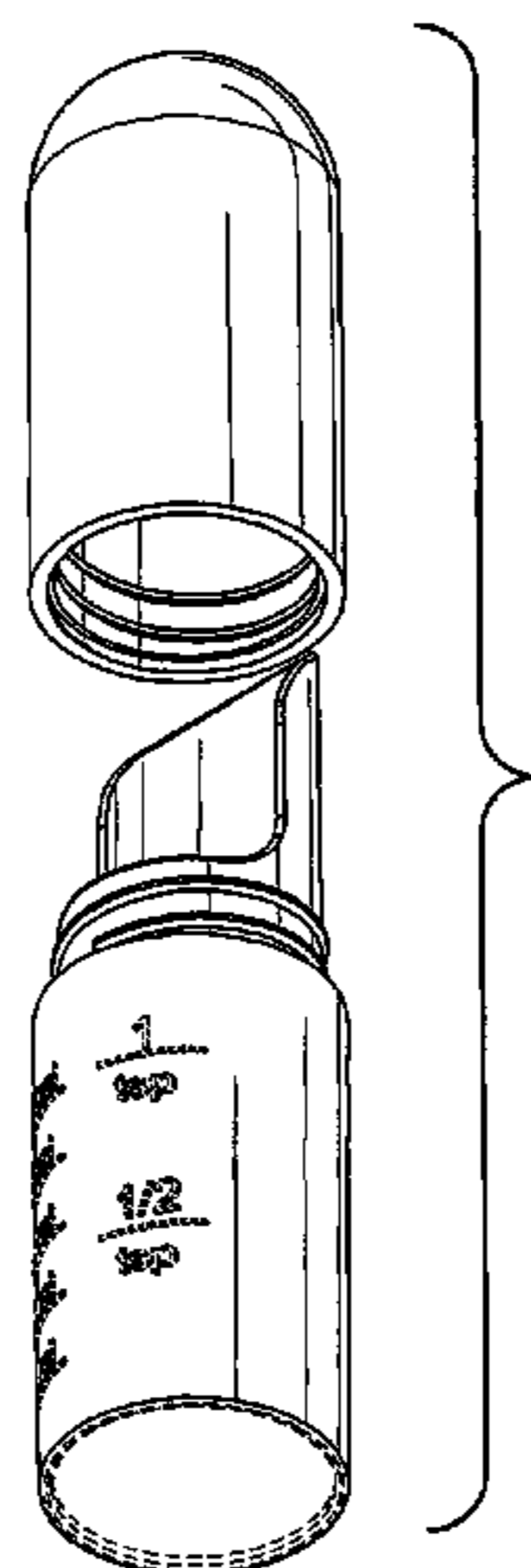
(Continued)

Primary Examiner—Louis S Zarfaz
Assistant Examiner—David G Muller
(74) *Attorney, Agent, or Firm*—Merchant & Gould P.C.

(57) **CLAIM**

The ornamental design for a screw cap spoon with attached lid, as shown and described.

1 Claim, 6 Drawing Sheets



U.S. PATENT DOCUMENTS

4,091,965	A *	5/1978	Gebhard	222/205
4,576,185	A *	3/1986	Proud et al.	604/192
D284,894	S *	7/1986	Poore et al.	D24/116
D294,391	S *	2/1988	Woo	D24/116
5,288,466	A *	2/1994	Burns	600/576
5,377,879	A *	1/1995	Isaacs	222/205
5,462,101	A *	10/1995	Mouchmouchian	222/205
5,556,008	A *	9/1996	Silver et al.	222/205
D377,757	S *	2/1997	Bertolini et al.	D9/746
D438,979	S *	3/2001	Gomes et al.	D24/133
D545,492	S *	6/2007	Schoening et al.	D27/184
7,374,046	B1 *	5/2008	O'Brien	222/192

OTHER PUBLICATIONS

Ezy-Dose® Mini Spoon #67021; Quantereron, Inc.; prior art product 2, available prior to filing date of Apr. 10, 2007, 2 pages.

Ezy-Dose® Handy Hook Spoon™ ; Apothecary Products, Inc.® ; prior art product 3, available prior to filing date of Apr. 10, 2007, 2 pages.

Prior art product 4, available prior to filing date of Apr. 10, 2007, 2 pages.

Prior art product 5, available prior to filing date of Apr. 10, 2007; 2 pages.

Apothecary Products, Inc.; prior art product 6, available prior to filing date of Apr. 10, 2007; 2 pages.

AT Clean Spoon™ ; Quantereron, Inc.; prior art product 7, available prior to filing date of Apr. 10, 2007; 2 pages.

Darrow; prior art product 8, available prior to filing date of Apr. 10, 2007; 2 pages.

APEX Medical; prior art product 9, available prior to filing date of Apr. 10, 2007; 2 pages.

Prior art product 10, available prior to filing date of Apr. 10, 2007; 2 pages.

Prior art product 11, available prior to filing date of Apr. 10, 2007; 2 pages.

Prior art product 12, available prior to filing date of Apr. 10, 2007; patent pending; 2 pages.

Prior art product 13, available prior to filing date of Apr. 10, 2007; 2 pages.

Prior art product 14, available prior to filing date of Apr. 10, 2007; 2 pages.

* cited by examiner

FIG.1

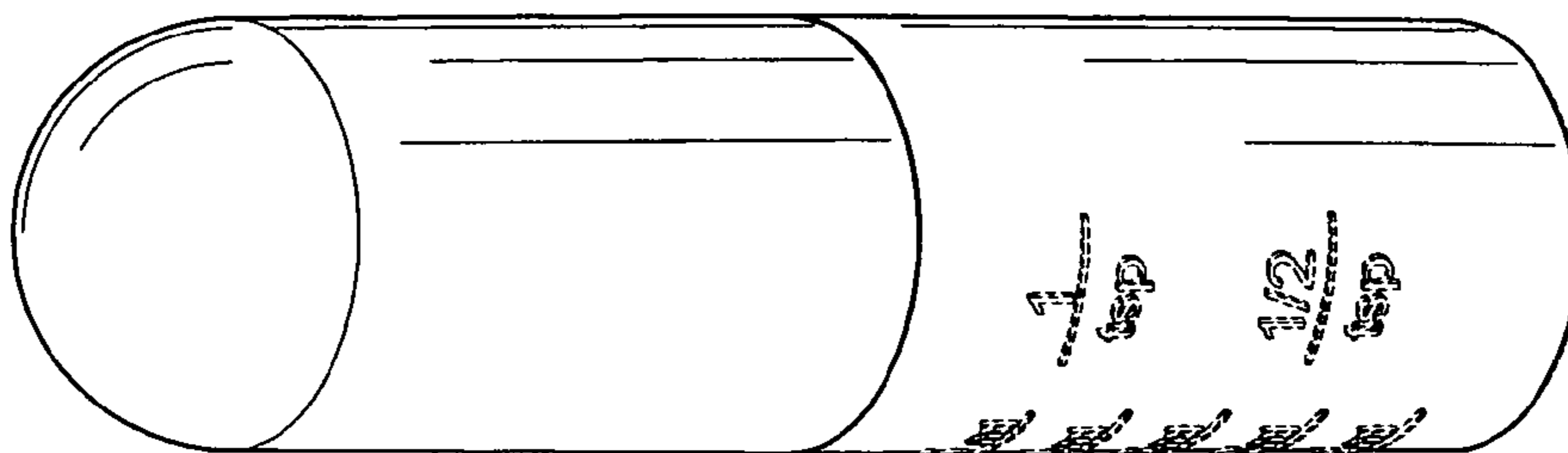


FIG.2

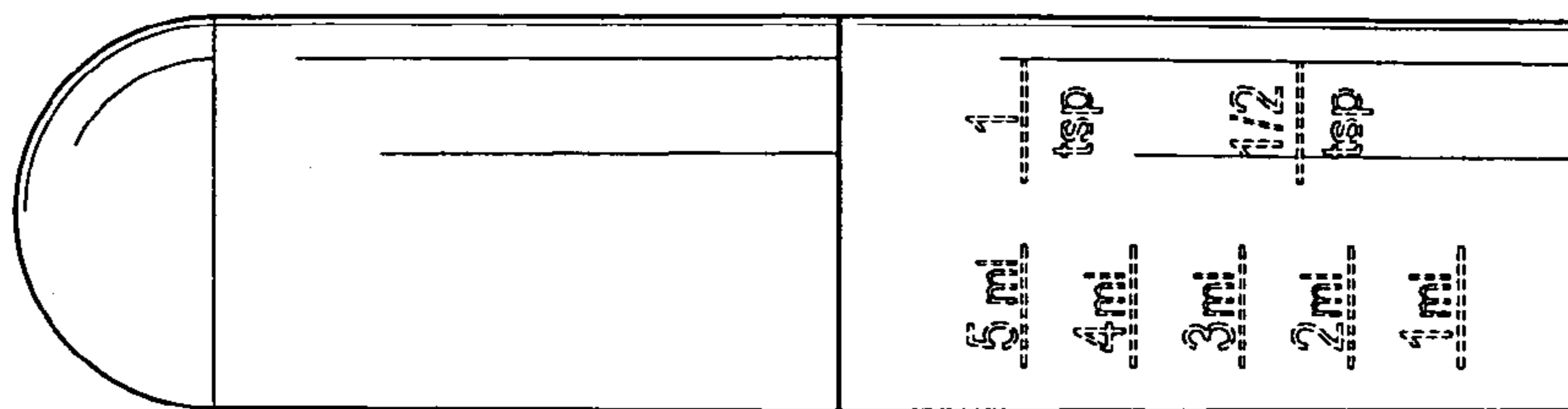


FIG.3

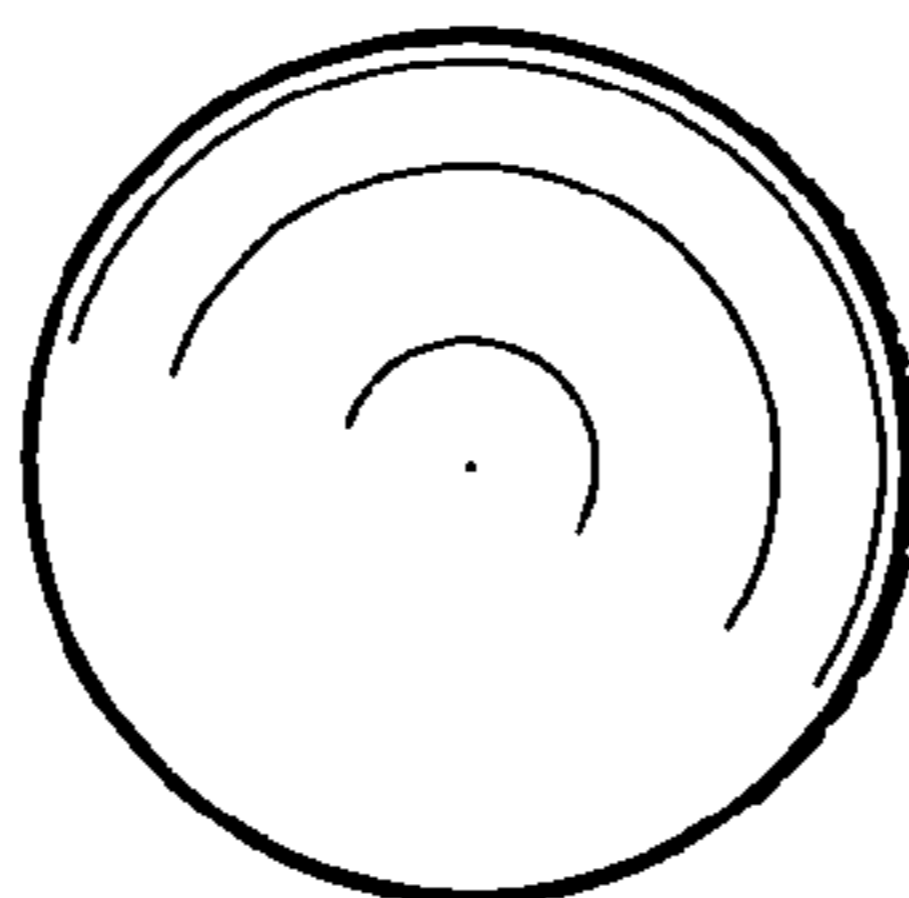


FIG. 4

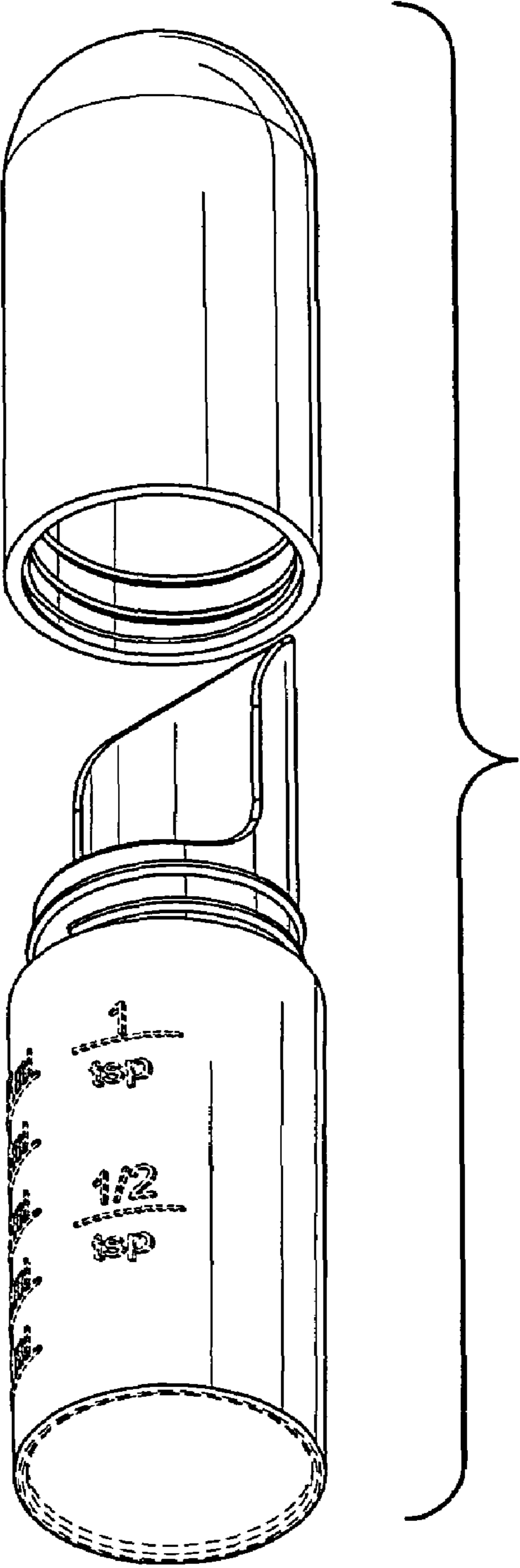


FIG.5

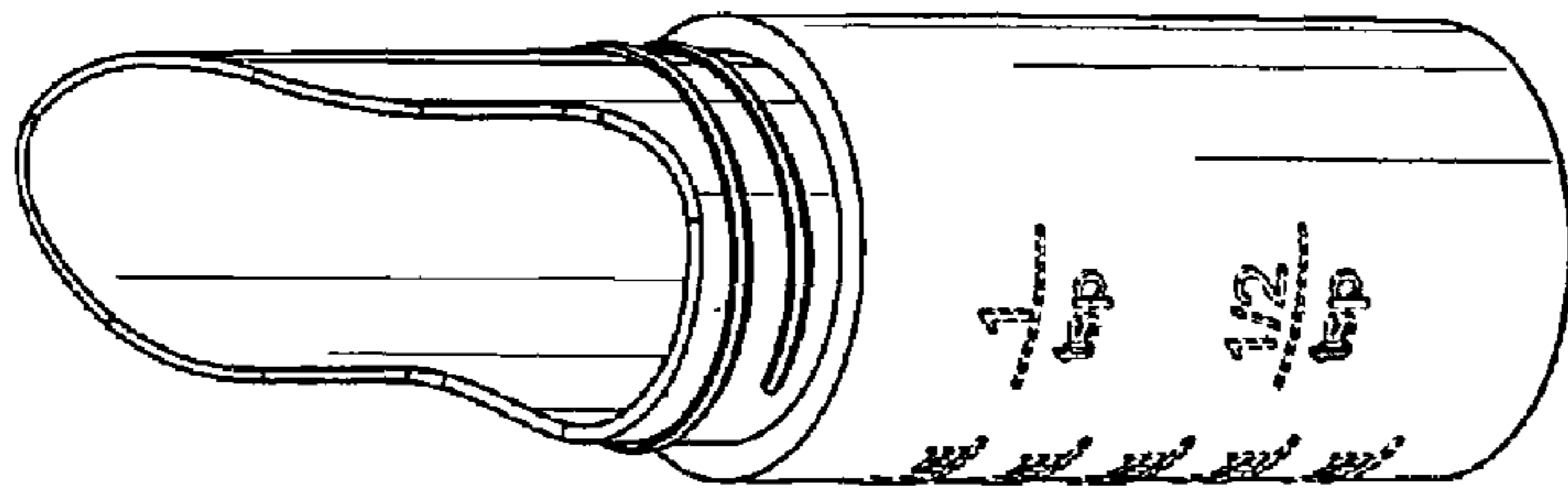


FIG.6

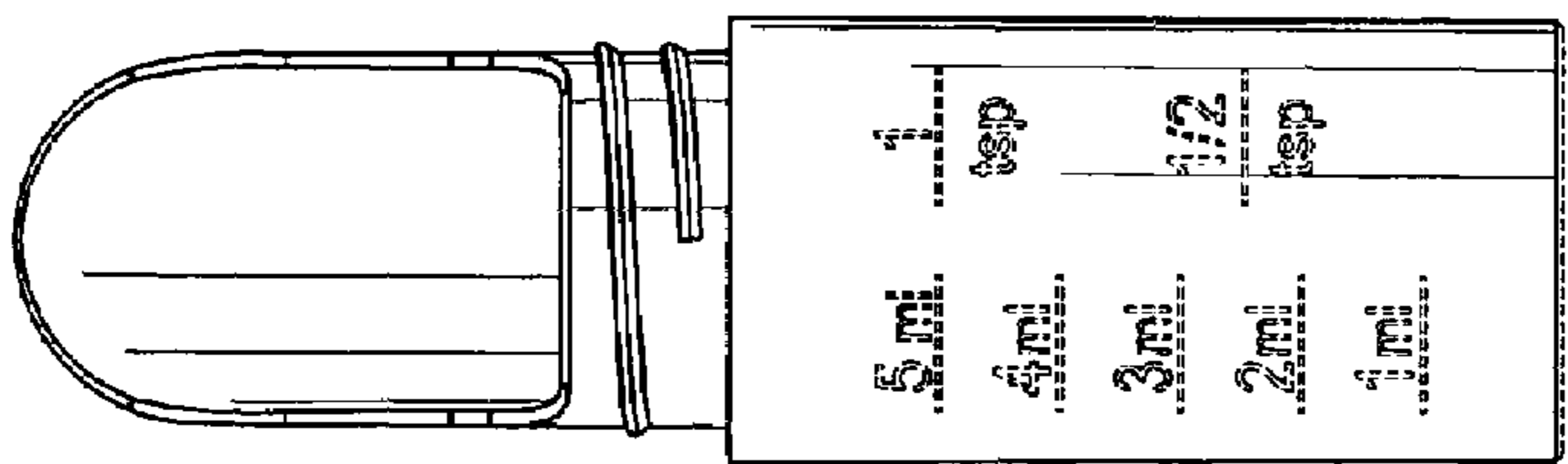


FIG.7

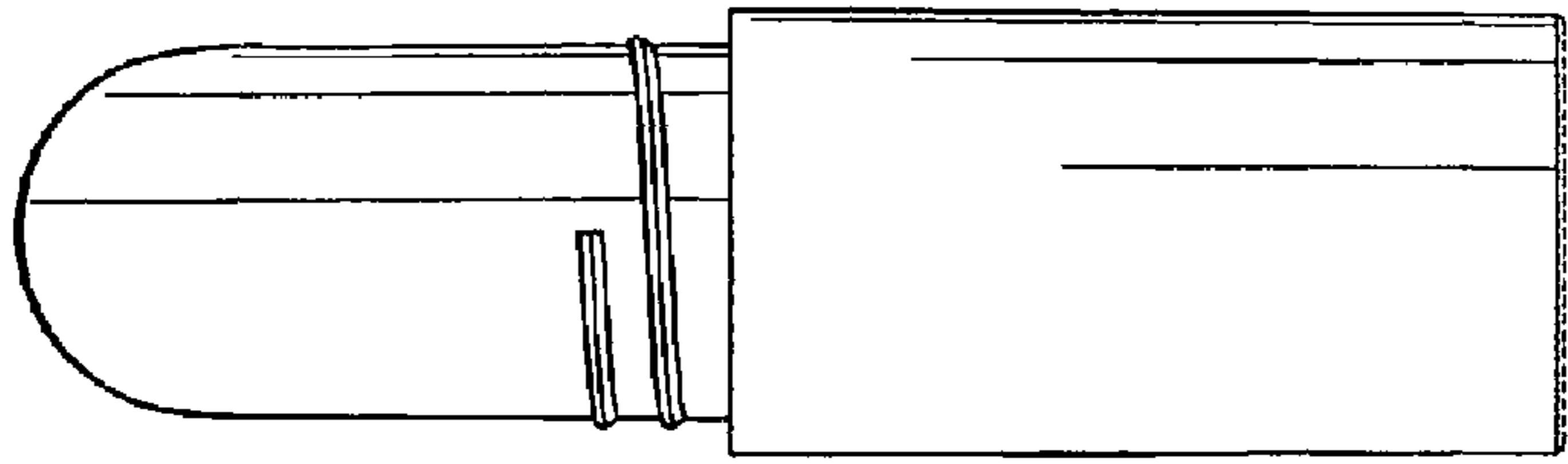


FIG.8

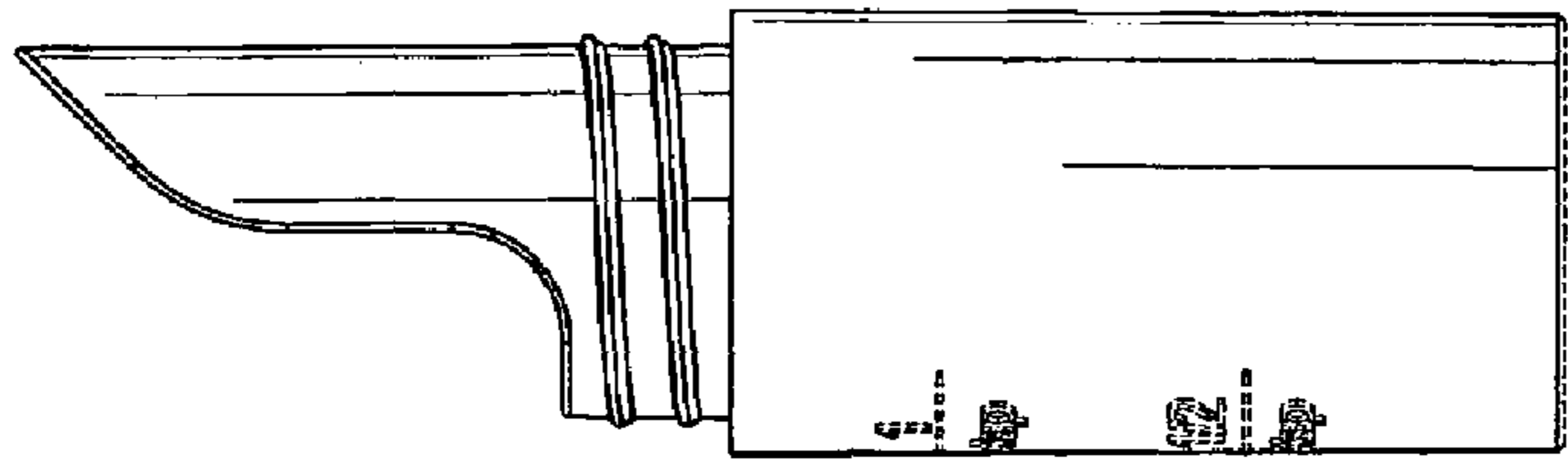


FIG.9

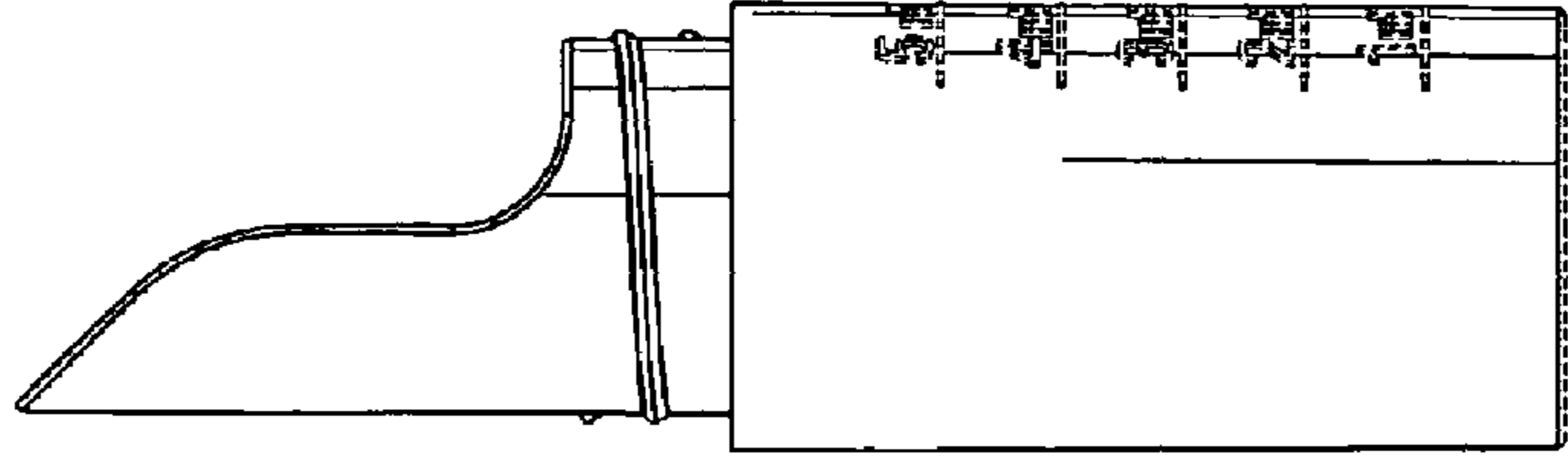


FIG.10

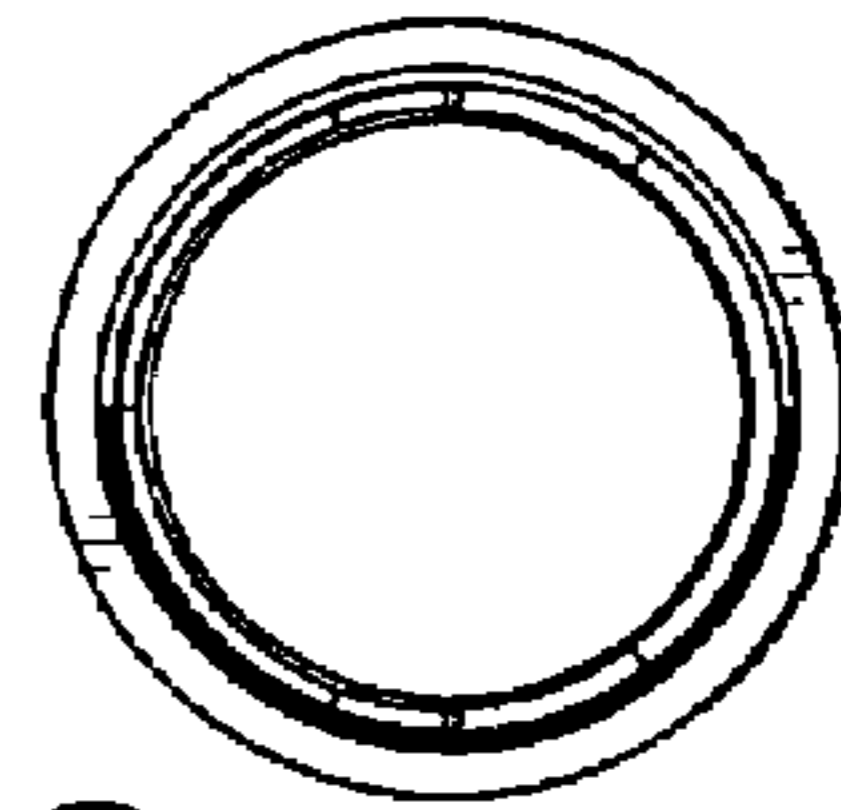


FIG.11

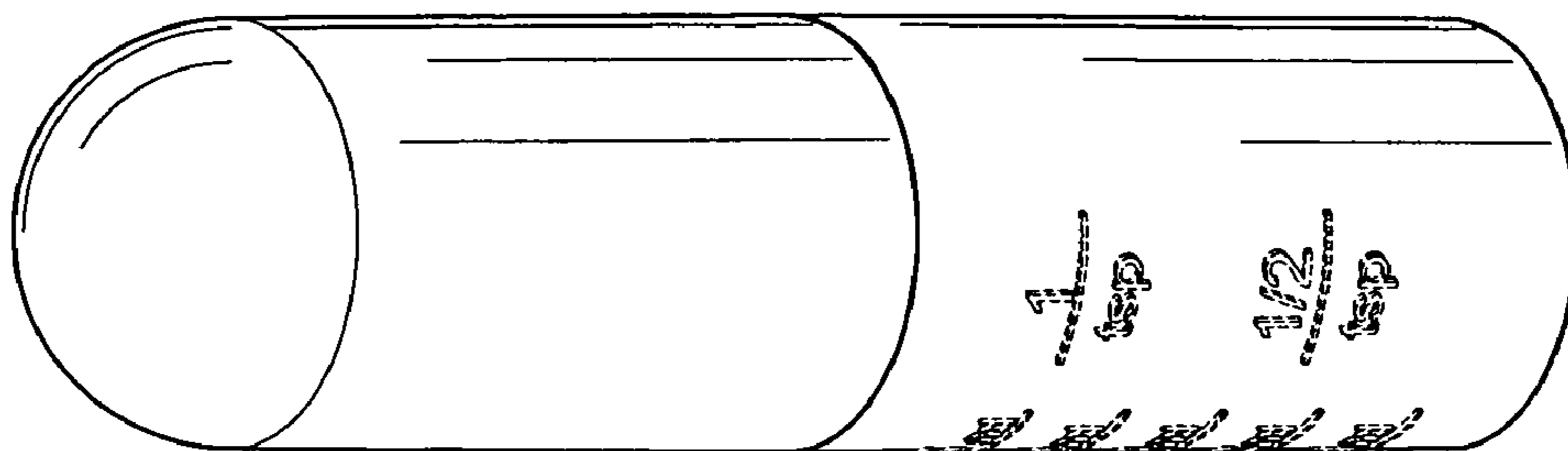


FIG.12

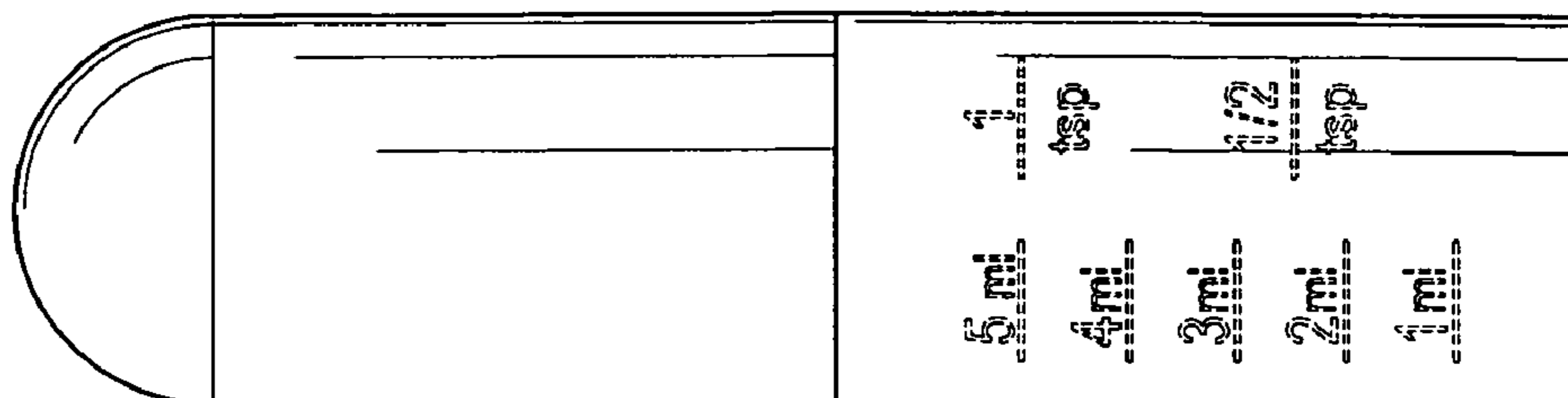


FIG.13

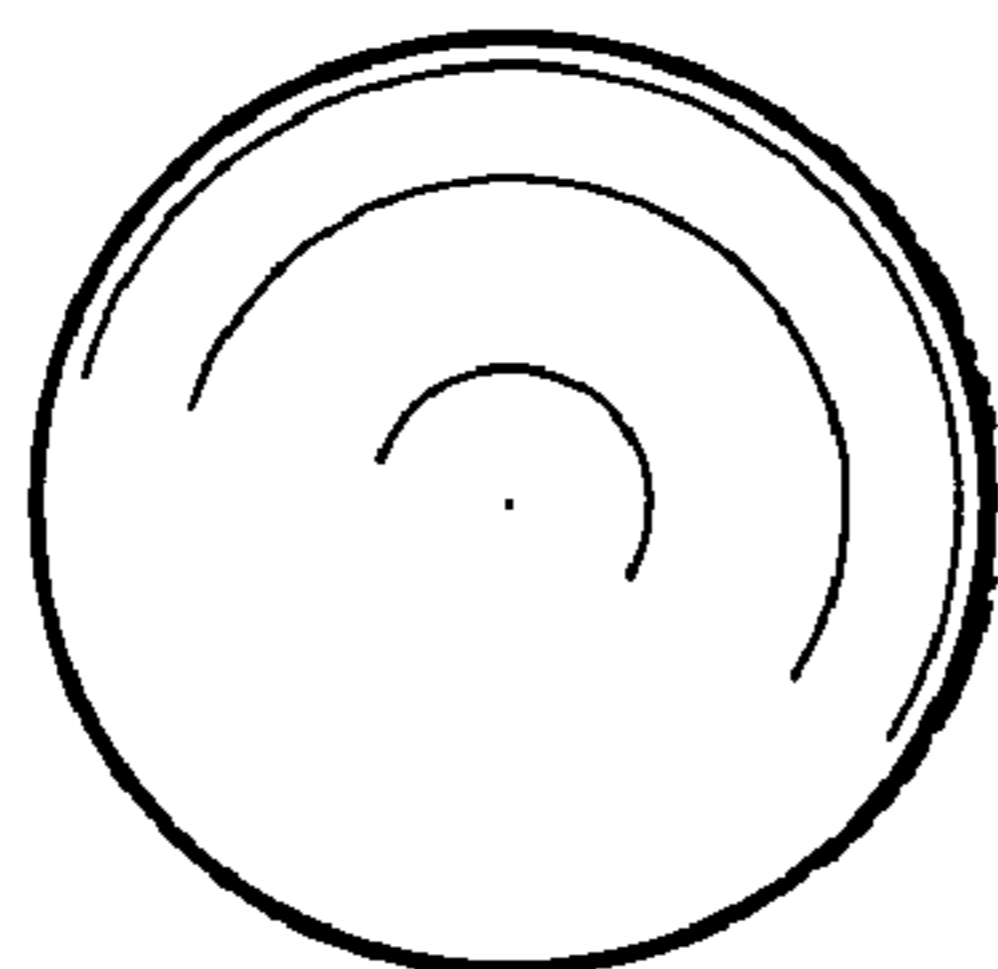


FIG. 14

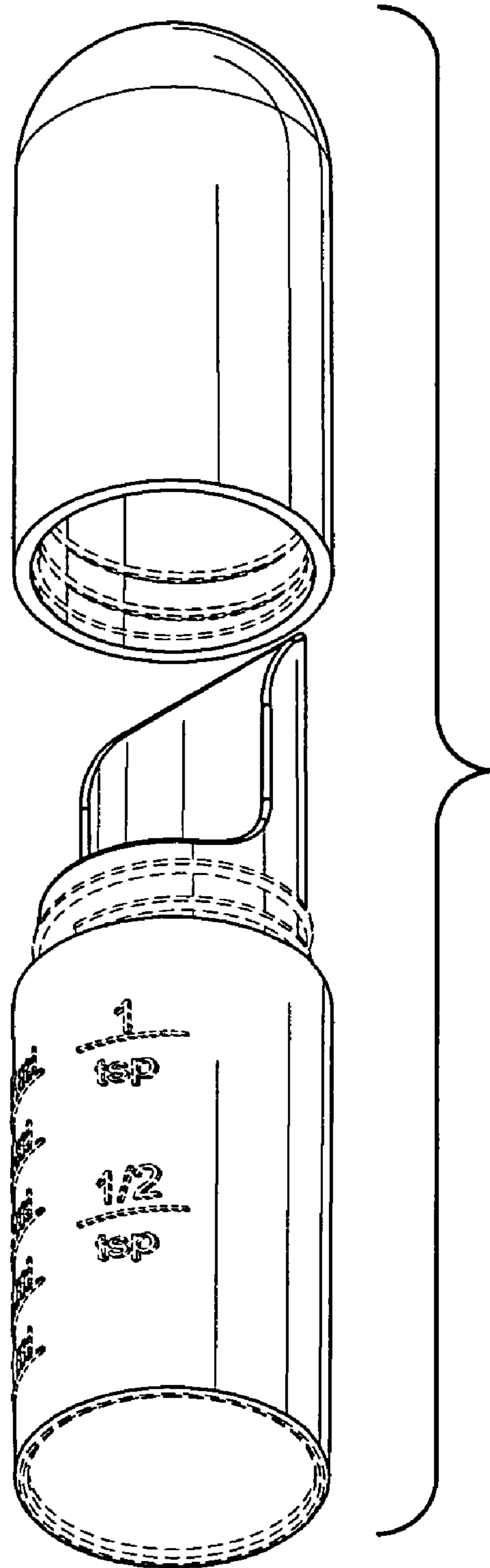


FIG.15

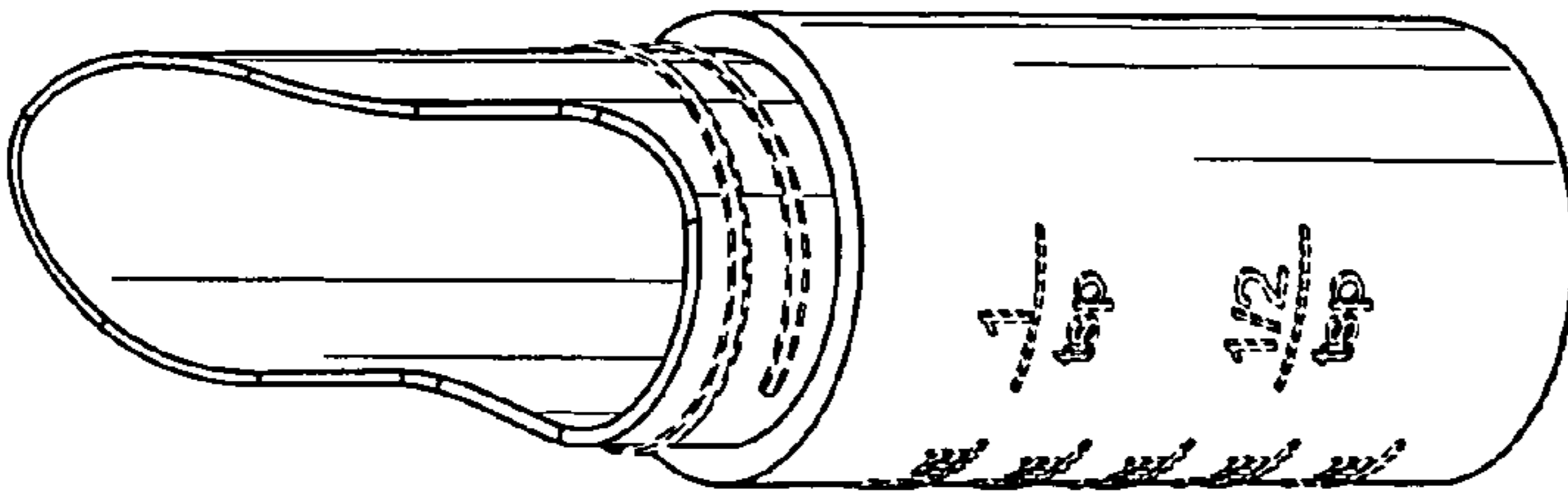


FIG.16

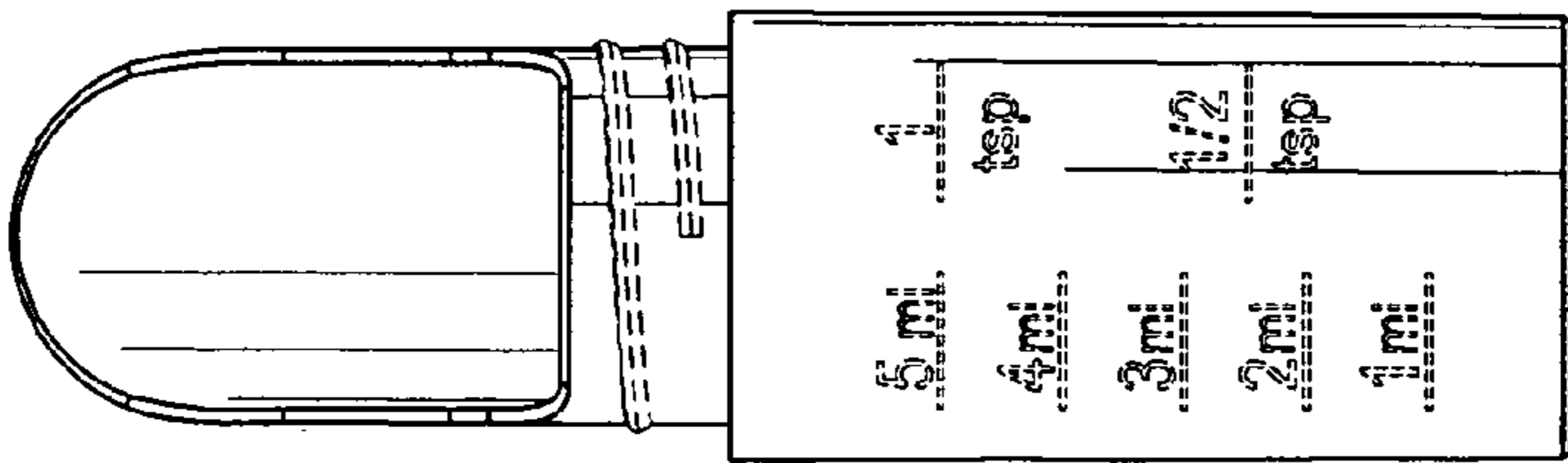


FIG.17

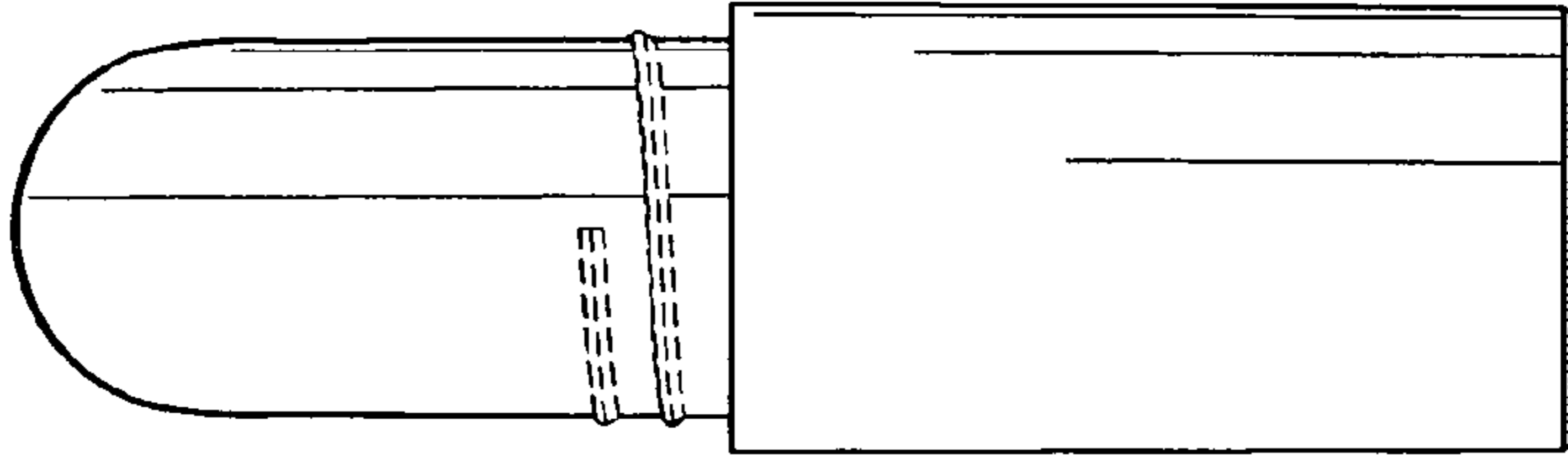


FIG.18

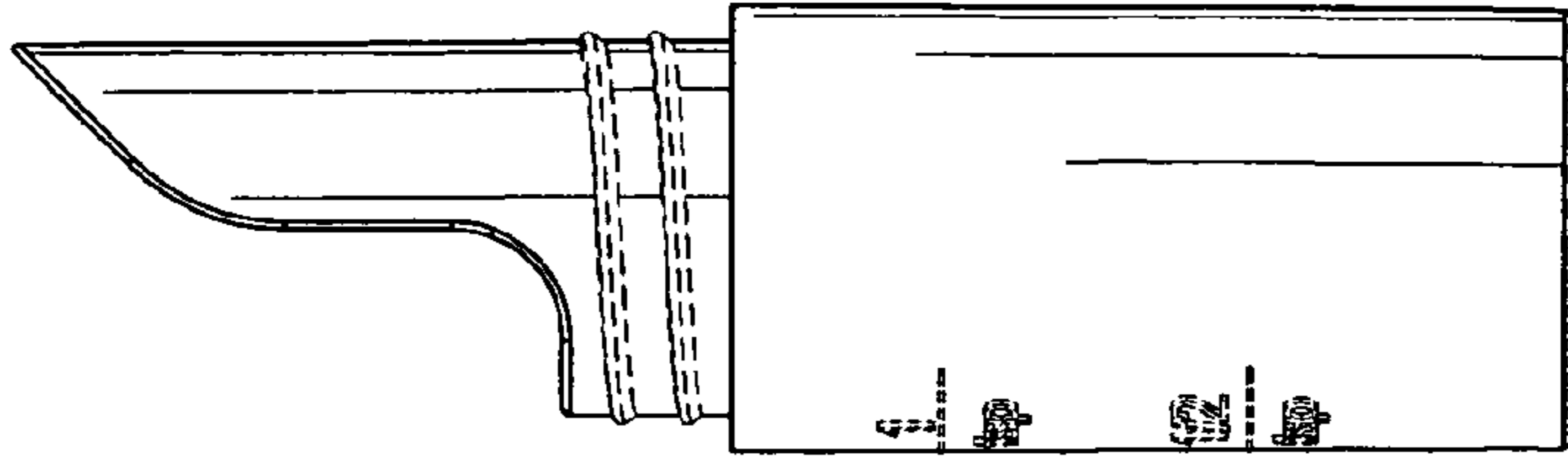


FIG.19

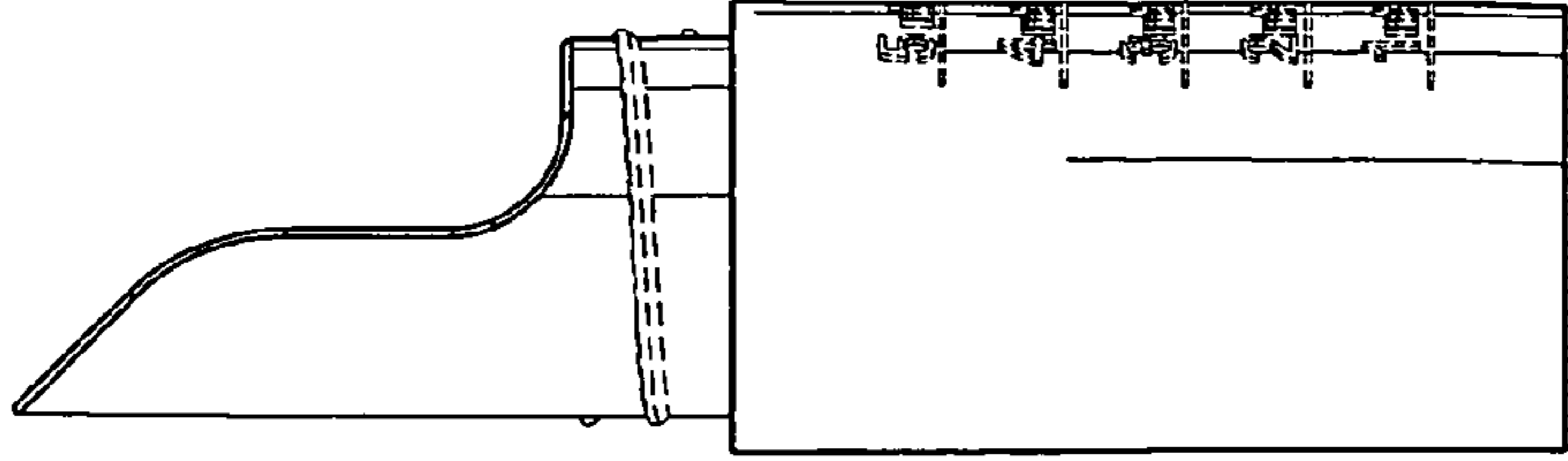


FIG.20

