

US00D590491S

(12) **United States Design Patent**
Kirk et al.

(10) **Patent No.:** **US D590,491 S**
(45) **Date of Patent:** **** Apr. 14, 2009**

(54) **LOG COVER**
(76) Inventors: **Samuel Kirk**, 825 County Road #33,
Piedmont, AL (US) 36272; **Tracy Cain**,
714 Old Gnatville Rd., Piedmont, AL
(US) 36272; **Kris Posey**, 130 Lodge St.
W., Piedmont, AL (US) 36272
(**) Term: **14 Years**
(21) Appl. No.: **29/248,984**
(22) Filed: **Sep. 14, 2006**
(51) **LOC (9) Cl.** **23-04**
(52) **U.S. Cl.** **D23/403**
(58) **Field of Classification Search** D23/314,
D23/32, 403-410, 415-422, 343, 345, 347-350,
D23/373, 374, 393, 499; D7/332, 333, 335,
D7/402, 407, 408; 52/58, 218, 219; 126/9 A,
126/9 B, 9 R, 39 H, 39 R, 58, 144, 215, 218,
126/219, 245, 500, 509, 510, 519, 540, 544,
126/546, 547, 555; 150/154, 165; 428/15,
428/21, 102; 454/12; D15/5; 137/66; 431/258;
266/44, 287

See application file for complete search history.

(56) **References Cited**

U.S. PATENT DOCUMENTS

16,459 A * 1/1857 Bennett 126/500
538,511 A * 4/1895 Glud 126/541
557,337 A * 3/1896 Noble 126/544
591,315 A * 10/1897 Wilson 160/131
1,315,794 A * 9/1919 Richards 312/208.3
D59,133 S * 9/1921 Shoenberg D23/417
2,492,262 A * 12/1949 Boyden et al. 235/61 R
3,368,655 A * 2/1968 Purdy 206/315.1
4,010,730 A * 3/1977 Mitchell 126/547
4,221,085 A * 9/1980 Conaghan 52/4
4,244,411 A * 1/1981 Karlstrom et al. 150/154
4,597,189 A * 7/1986 Cutrara 34/518
4,856,436 A * 8/1989 Campbell 109/1 R
5,104,085 A 4/1992 Brice
5,183,953 A * 2/1993 Anderson et al. 42/96
D361,014 S * 8/1995 Baribeau D7/402
5,490,594 A 2/1996 Rupe
5,491,958 A * 2/1996 Hammer 53/442
5,528,253 A 6/1996 Franklin
5,551,497 A * 9/1996 Stanley 150/154
D381,412 S * 7/1997 Rimback D23/403

D382,956 S * 8/1997 Collins D23/420
5,802,630 A 9/1998 Hansen et al.
5,922,437 A 7/1999 Bryant
5,950,553 A 9/1999 Bohlinger et al.
5,984,172 A 11/1999 Easterwood
5,988,879 A 11/1999 Bredderman et al.
6,102,076 A 8/2000 Romero, Jr. et al.
D439,652 S * 3/2001 Schonberger et al. D23/406
D452,559 S * 12/2001 Schonberger et al. D23/406
6,328,083 B1 * 12/2001 Esterson et al. 150/154
6,354,831 B1 * 3/2002 Wilk et al. 431/328
6,506,471 B2 * 1/2003 Doppelt 428/102
D470,584 S * 2/2003 Elwell et al. D23/406
6,536,489 B1 * 3/2003 Rowan et al. 150/165
6,547,325 B2 4/2003 Dorst et al.
6,581,545 B1 6/2003 Foster
6,711,752 B2 3/2004 Smith
6,714,167 B1 3/2004 Gusick, Jr.
D488,025 S * 4/2004 Tseng D7/402
6,772,881 B2 * 8/2004 Le et al. 206/305
6,863,100 B2 * 3/2005 Neal et al. 150/165
D513,513 S * 1/2006 Taber D15/28
7,152,733 B2 * 12/2006 Trickett 206/320
7,322,487 B1 * 1/2008 Hill 220/581
2004/0129265 A1 * 7/2004 Lynch 126/500

* cited by examiner

Primary Examiner—T. Chase Nelson

Assistant Examiner—Karen Acker

(57) **CLAIM**

The ornamental design for a log cover, as shown and described.

DESCRIPTION

FIG. 1 is a top plan view of a log cover showing our new design;

FIG. 2 is a front elevational view thereof;

FIG. 3 is a left side elevational view thereof;

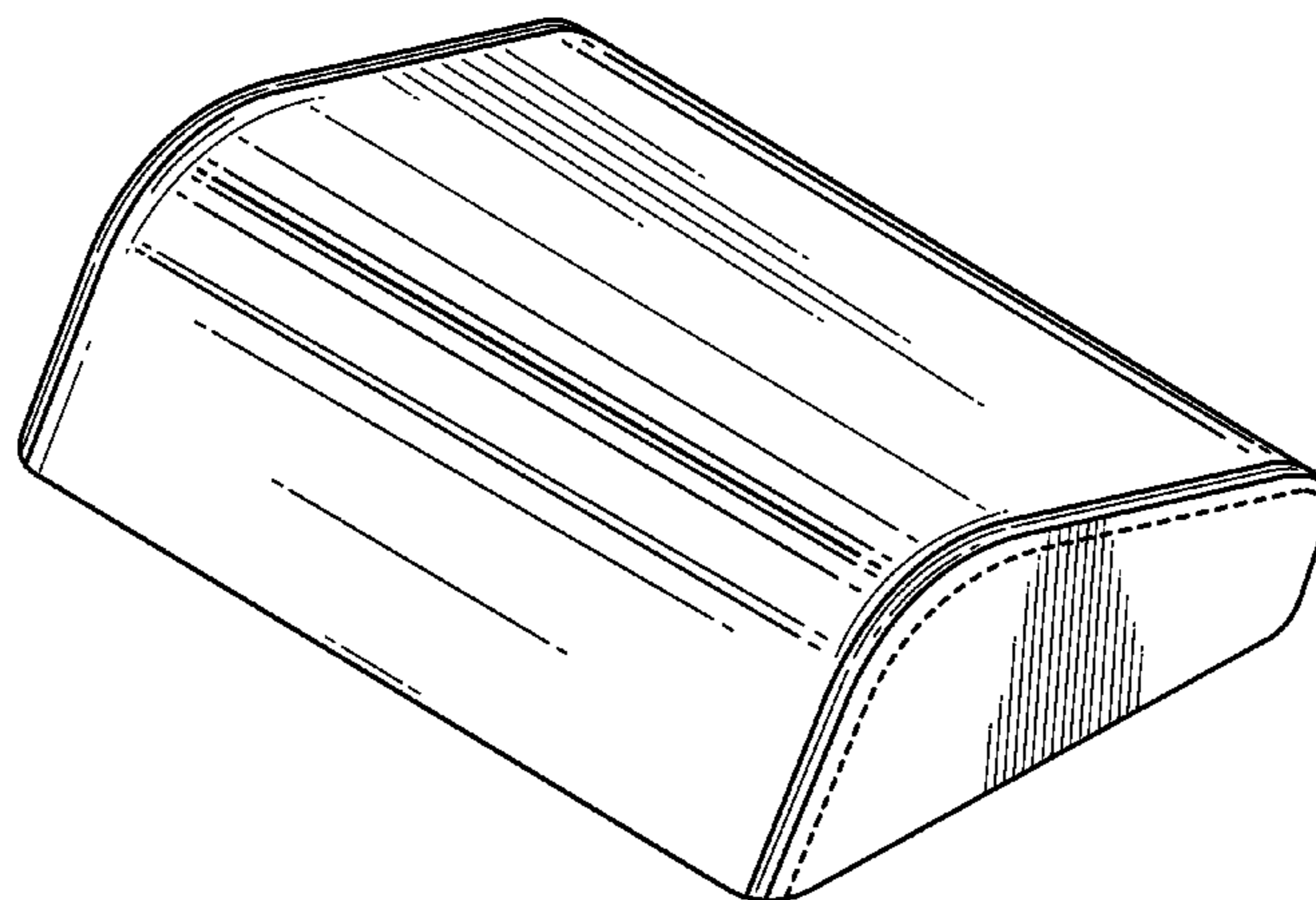
FIG. 4 is a right side elevational view thereof;

FIG. 5 is a rear elevational view thereof; and,

FIG. 6 is a perspective view thereof.

The broken lines shown in FIGS. 3, 4, and 6 represent unclaimed features of the design.

1 Claim, 6 Drawing Sheets



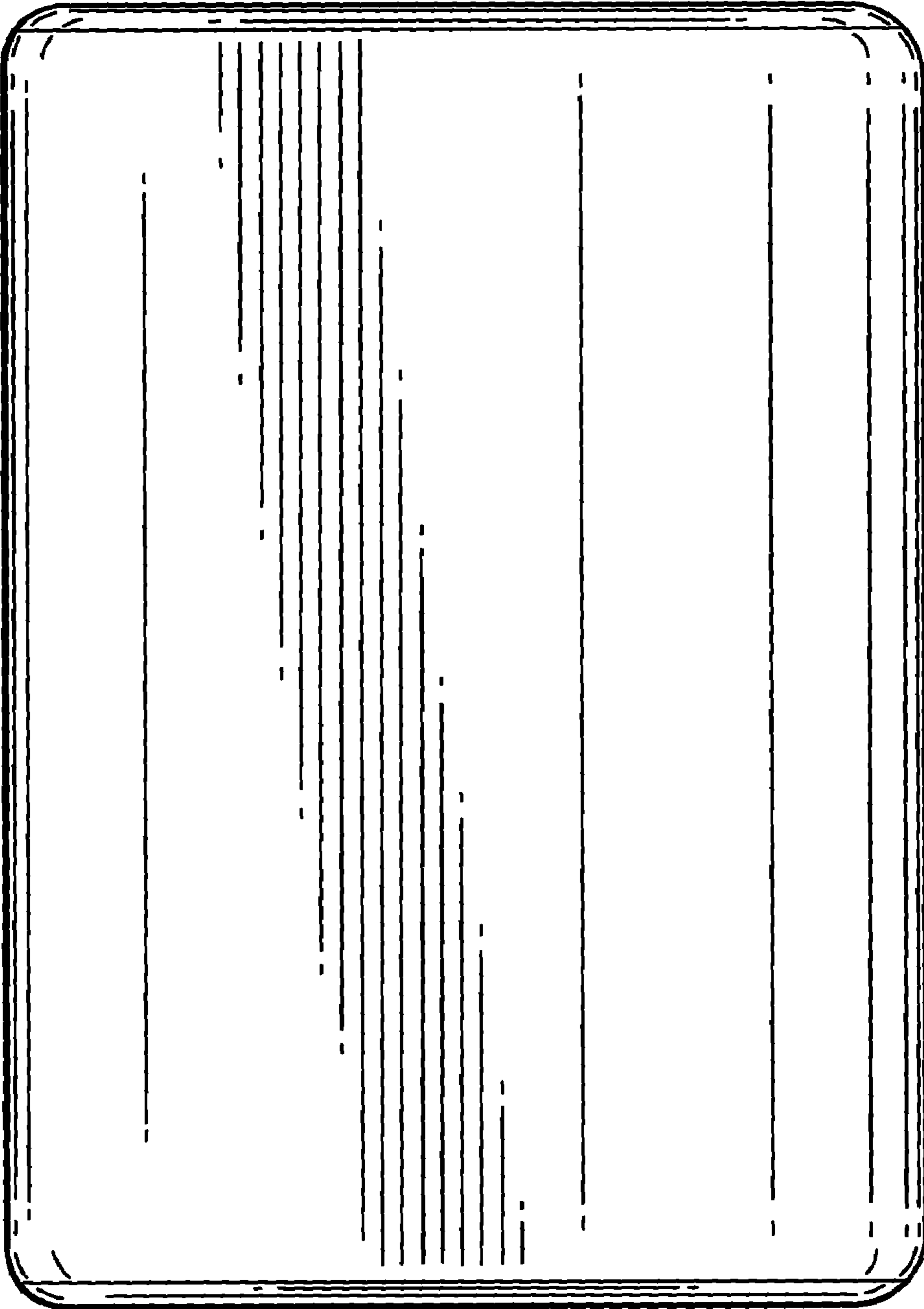


FIG. 1

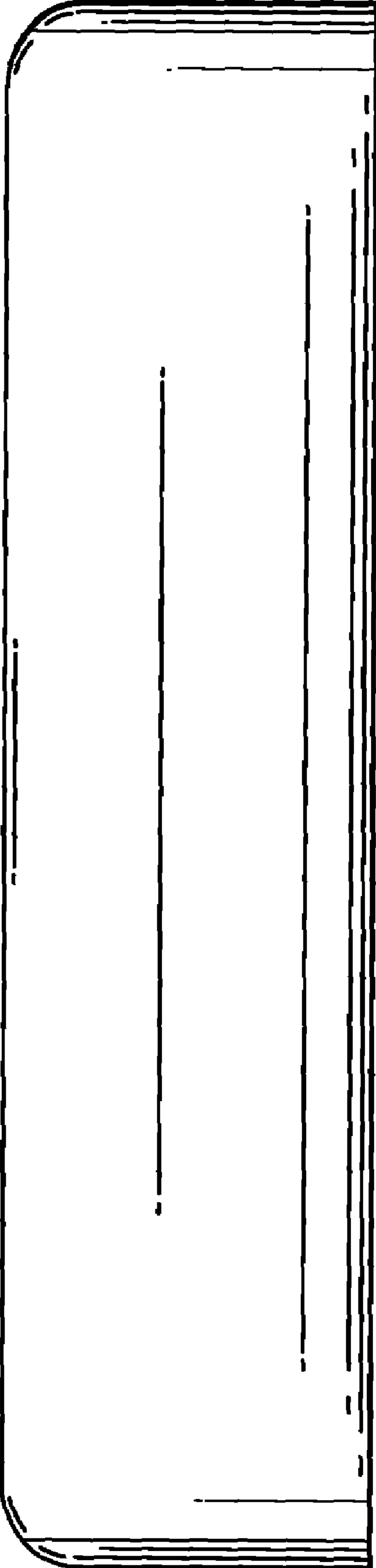


FIG. 2

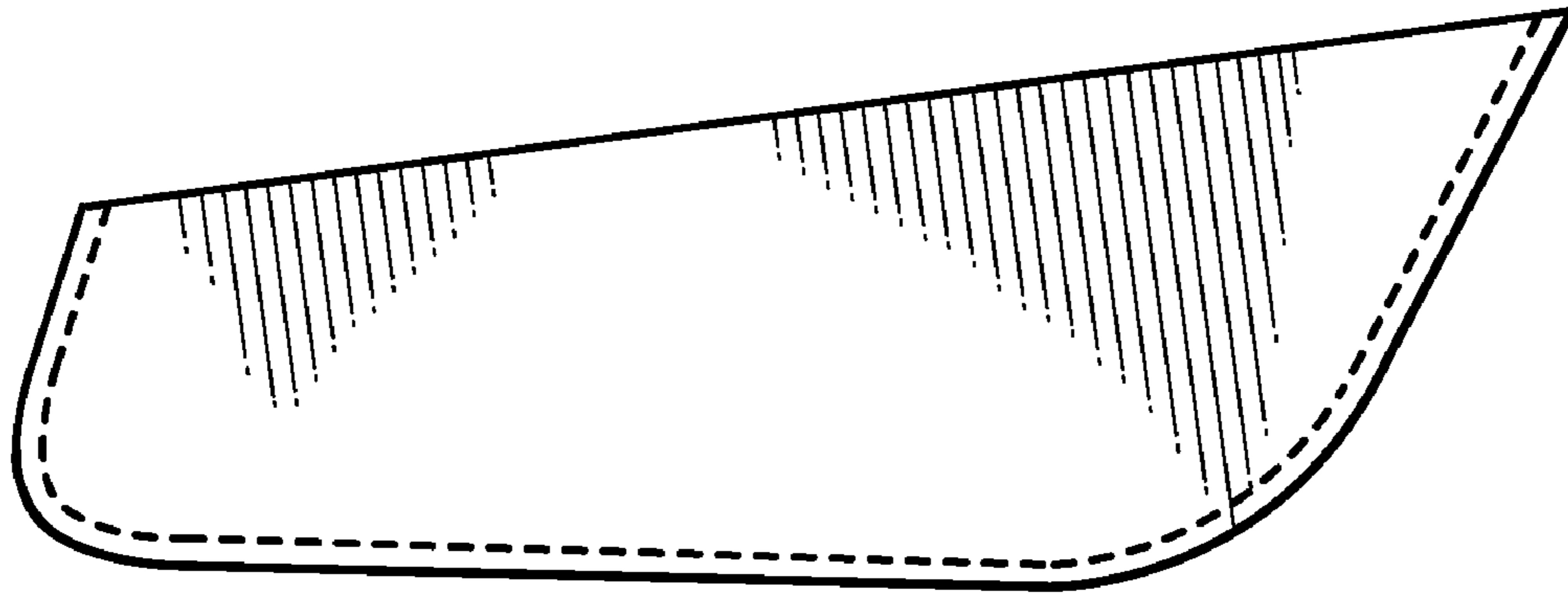


FIG. 3

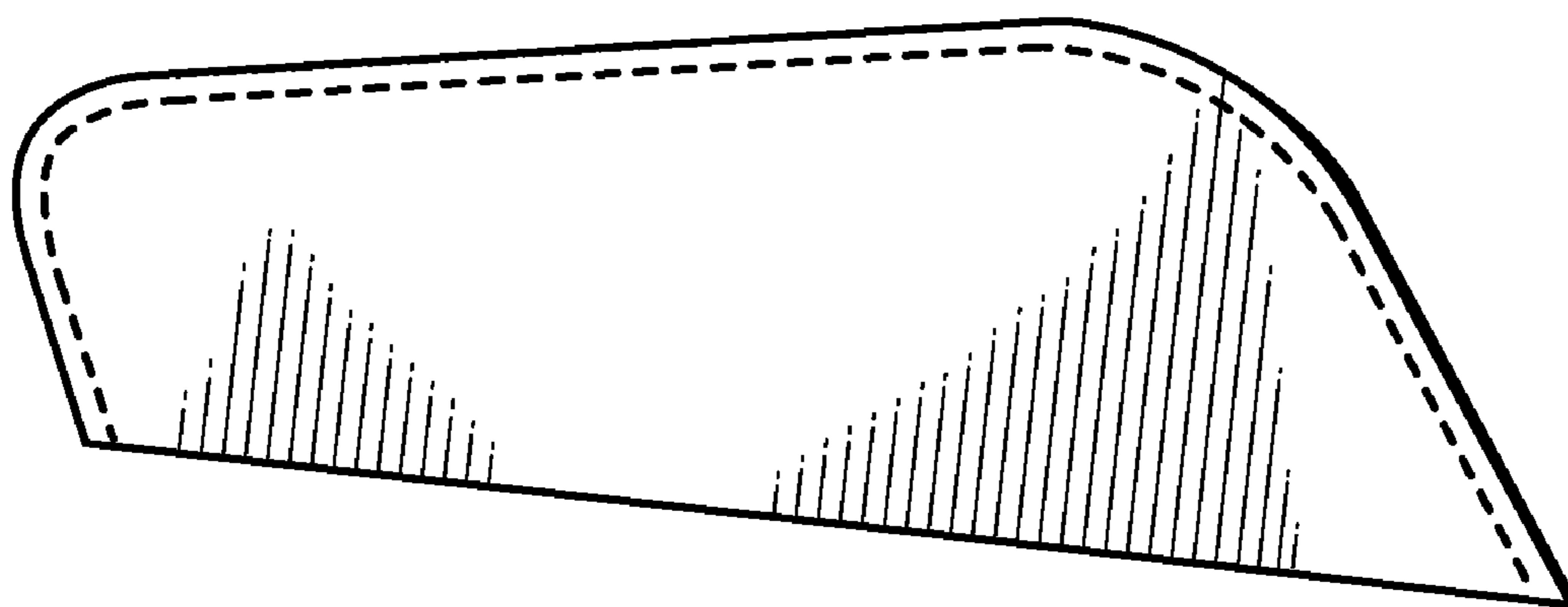


FIG. 4

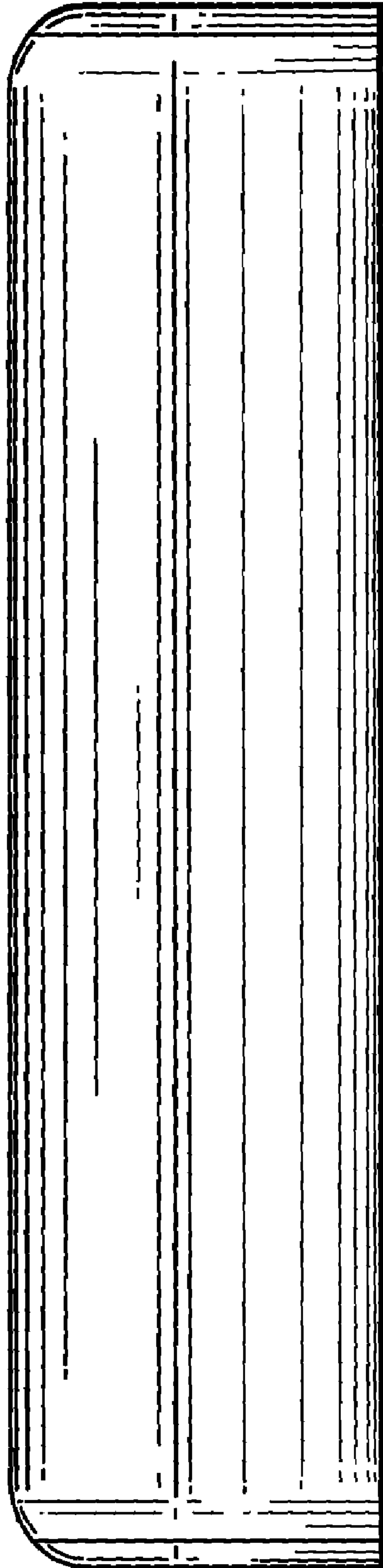


FIG. 5

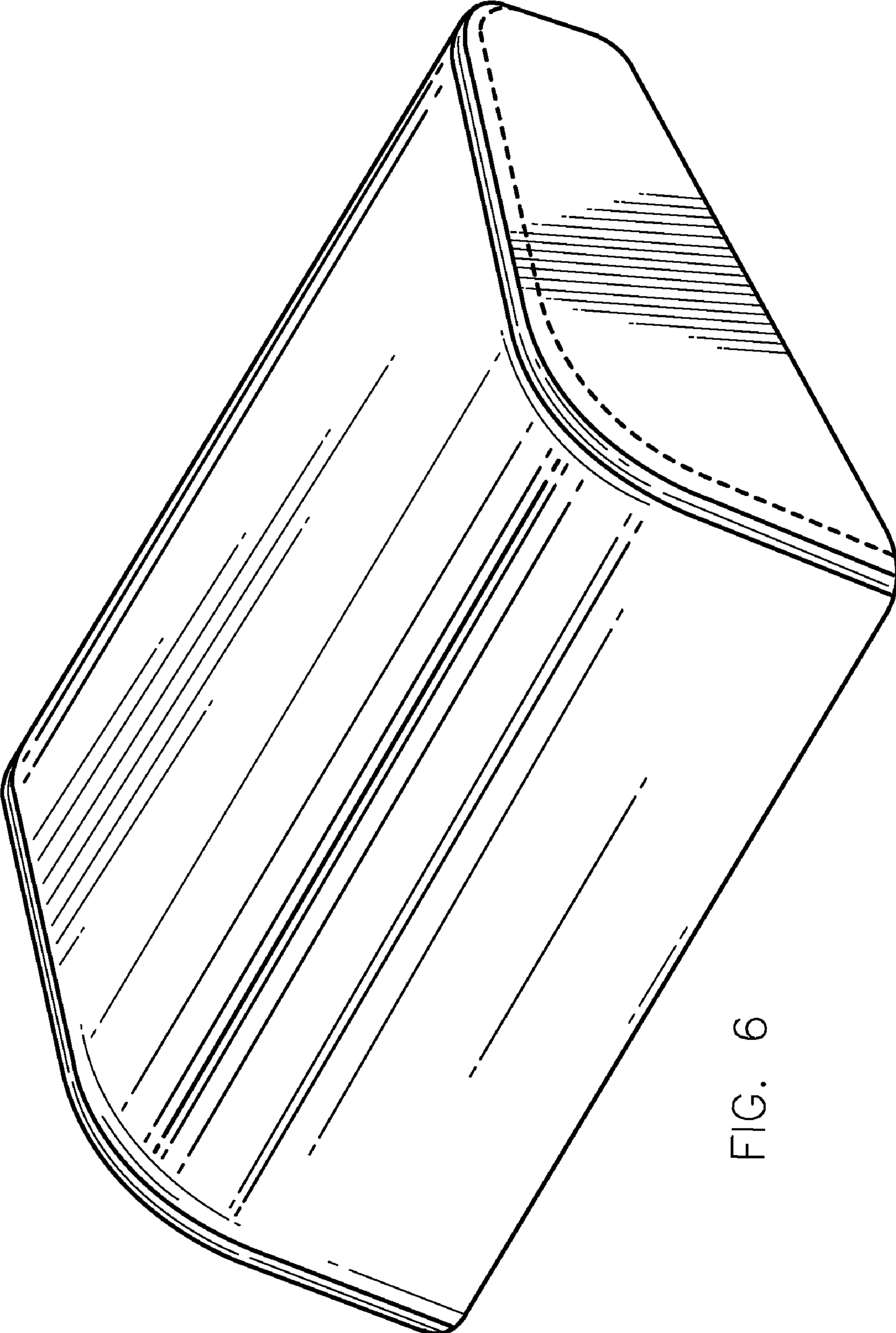


FIG. 6