

US00D590490S

(12) **United States Design Patent**  
**Lary**

(10) **Patent No.:** **US D590,490 S**

(45) **Date of Patent:** **\*\* Apr. 14, 2009**

(54) **CEILING DRIP PAN**

(76) **Inventor:** **Don F Lary**, 102 Candia Rd., Deerfield, NH (US) 03037

(\*\*) **Term:** **14 Years**

(21) **Appl. No.:** **29/327,469**

(22) **Filed:** **Nov. 6, 2008**

(51) **LOC (9) Cl.** ..... **23-04**

(52) **U.S. Cl.** ..... **D23/386**

(58) **Field of Classification Search** ..... D23/386,  
D23/393, 200, 370, 373, 351, 354, 259, 308;  
137/312, 15.11; D15/150; D7/402; 454/365;  
62/285, 150; 220/571; 184/106

See application file for complete search history.

(56) **References Cited**

**U.S. PATENT DOCUMENTS**

3,779,330	A *	12/1973	Longpre	.....	184/106
4,054,184	A *	10/1977	Marcinko	.....	184/106
4,416,327	A *	11/1983	Nakada et al.	.....	62/285
D308,002	S *	5/1990	Dohrmann	.....	D23/200
D318,109	S *	7/1991	Sullivan	.....	D23/354
5,133,167	A	7/1992	Drew et al.		
5,339,676	A *	8/1994	Johnson	.....	184/106
5,526,900	A *	6/1996	Mason	.....	184/106
5,550,532	A *	8/1996	Marshall	.....	137/312

D377,658	S *	1/1997	Adamson et al.	.....	D15/150
5,904,053	A *	5/1999	Polk et al.	.....	62/285
6,202,689	B1 *	3/2001	Williams	.....	137/312
6,622,750	B1	9/2003	Bergeron		
6,895,770	B1	5/2005	Kaminski		
6,941,703	B2 *	9/2005	MacLean et al.	.....	137/312
D555,780	S *	11/2007	Wanninger	.....	D23/393

\* cited by examiner

*Primary Examiner*—T. Chase Nelson  
*Assistant Examiner*—David G Muller

(57) **CLAIM**

The ornamental design for a ceiling drip pan, as shown and described.

**DESCRIPTION**

FIG. 1 is a right side elevation view of a ceiling drip pan showing my new design, the opposite side being a mirror image of the shown;

FIG. 2 is a front elevation view thereof;

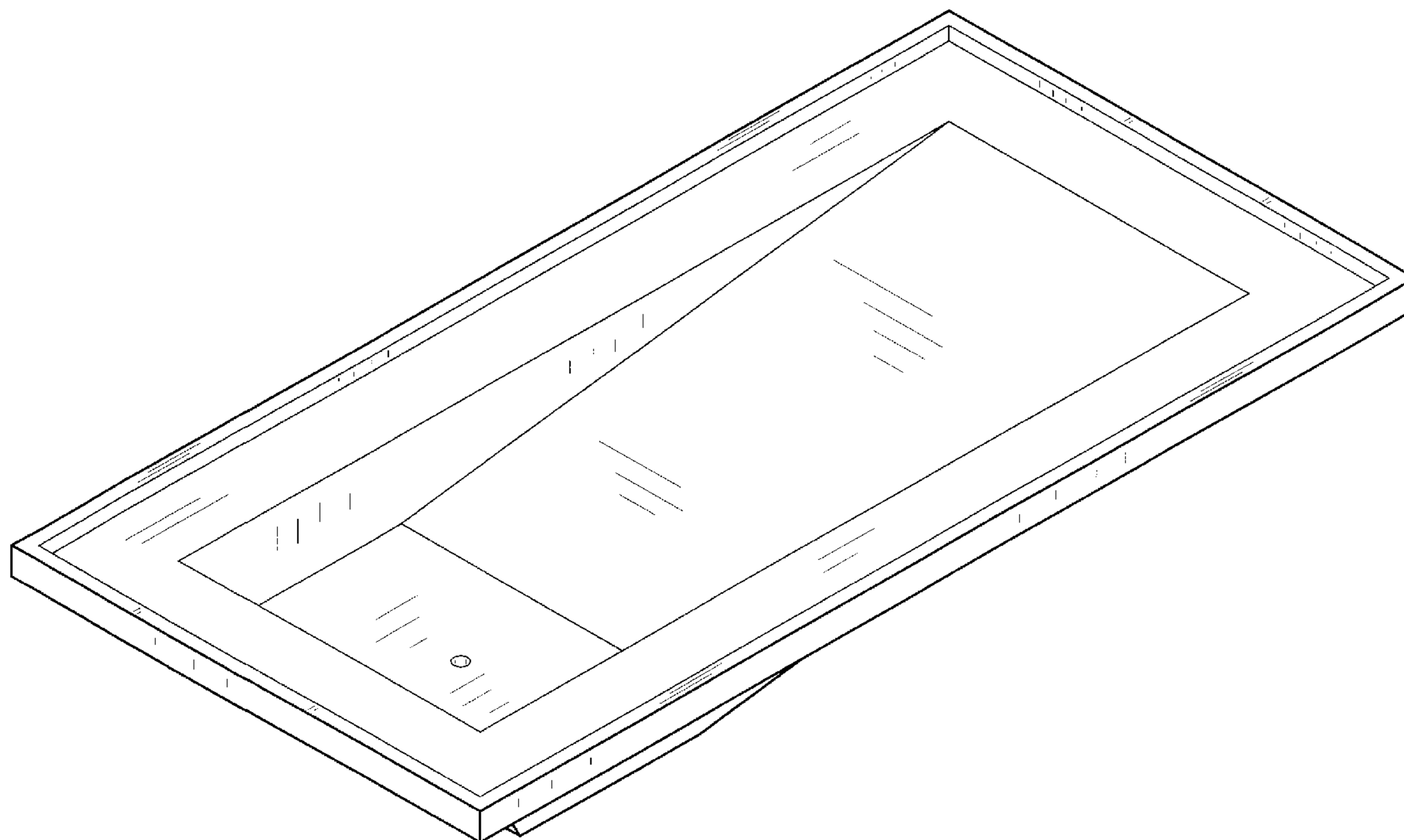
FIG. 3 is a rear elevation view thereof;

FIG. 4 is a top plan view thereof;

FIG. 5 is a bottom plan view thereof; and,

FIG. 6 is an isometric view thereof.

**1 Claim, 5 Drawing Sheets**



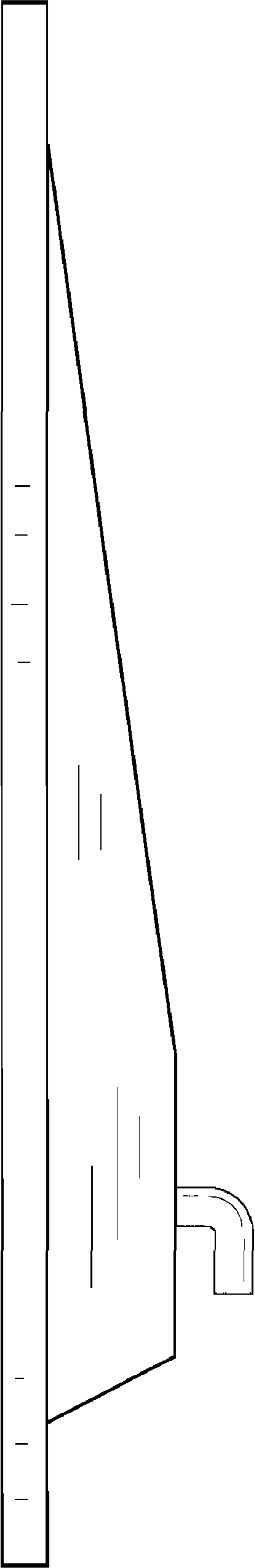


FIG. 1

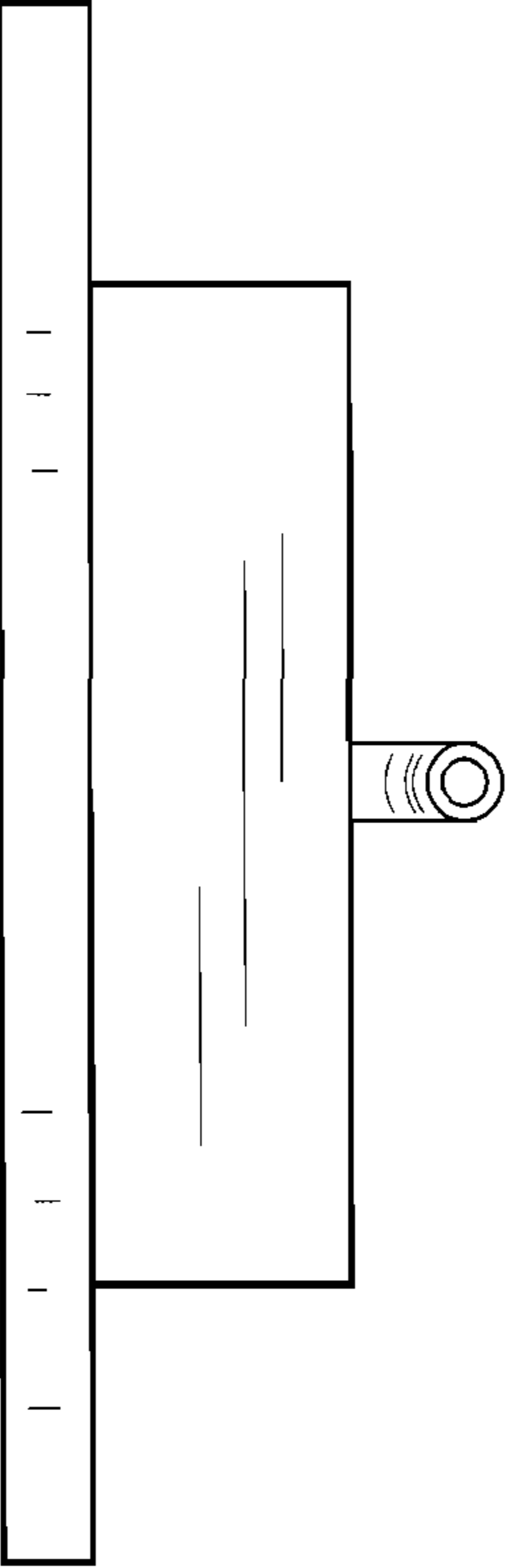


FIG. 2

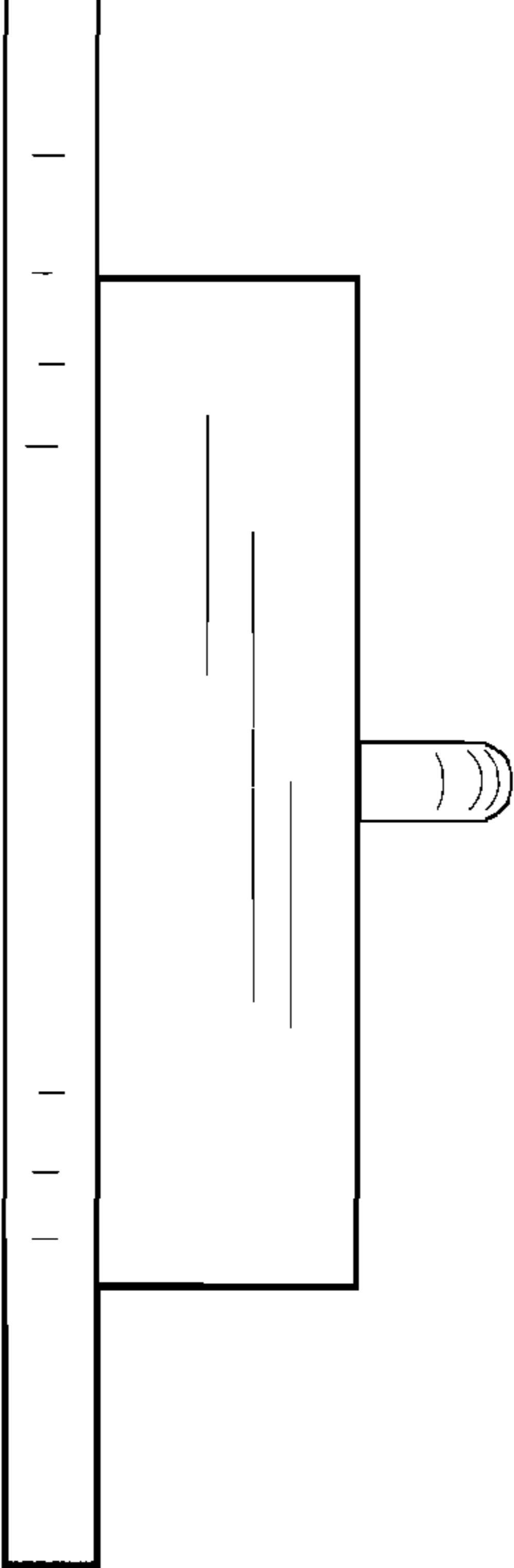


FIG. 3

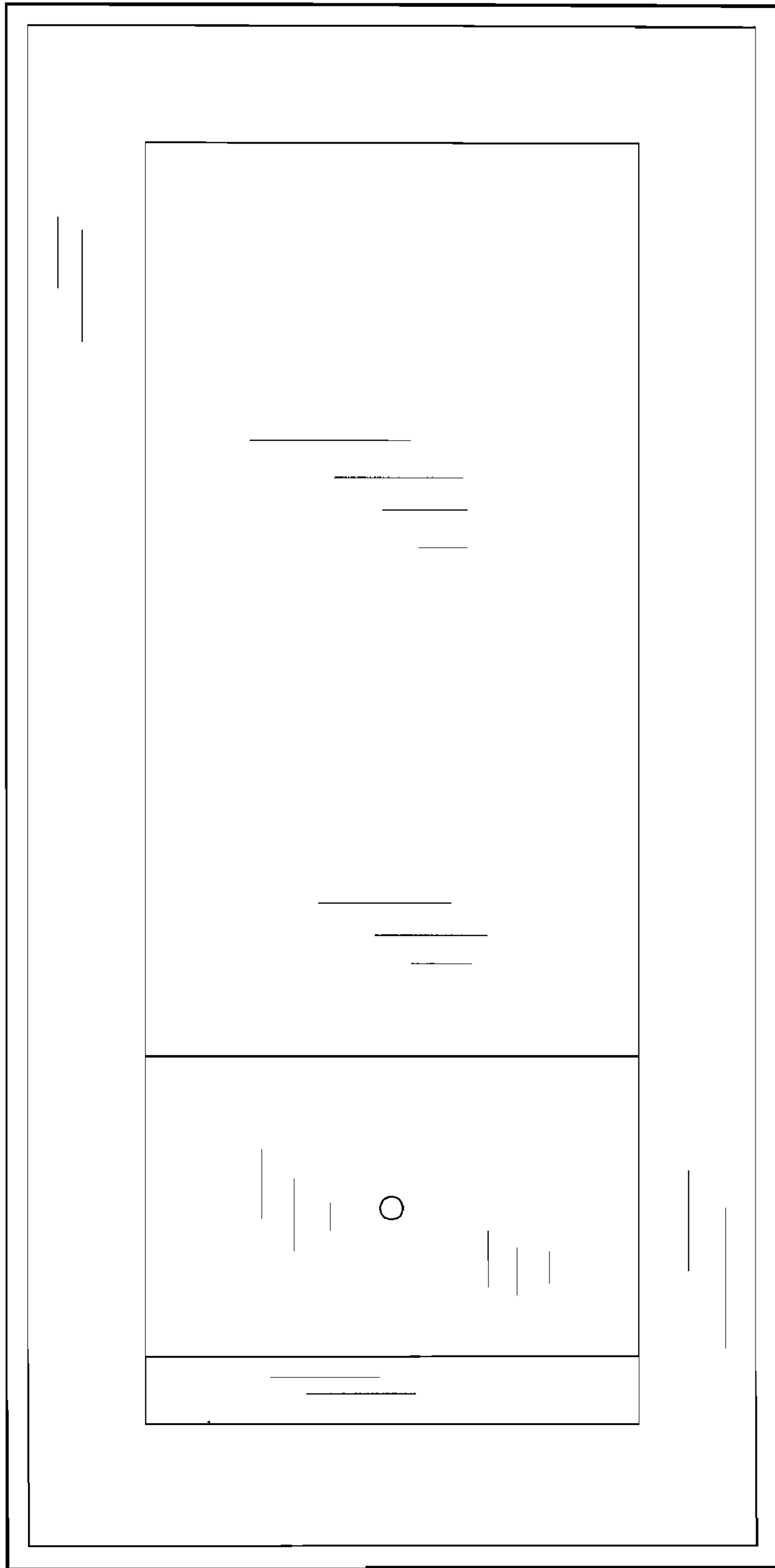


FIG. 4

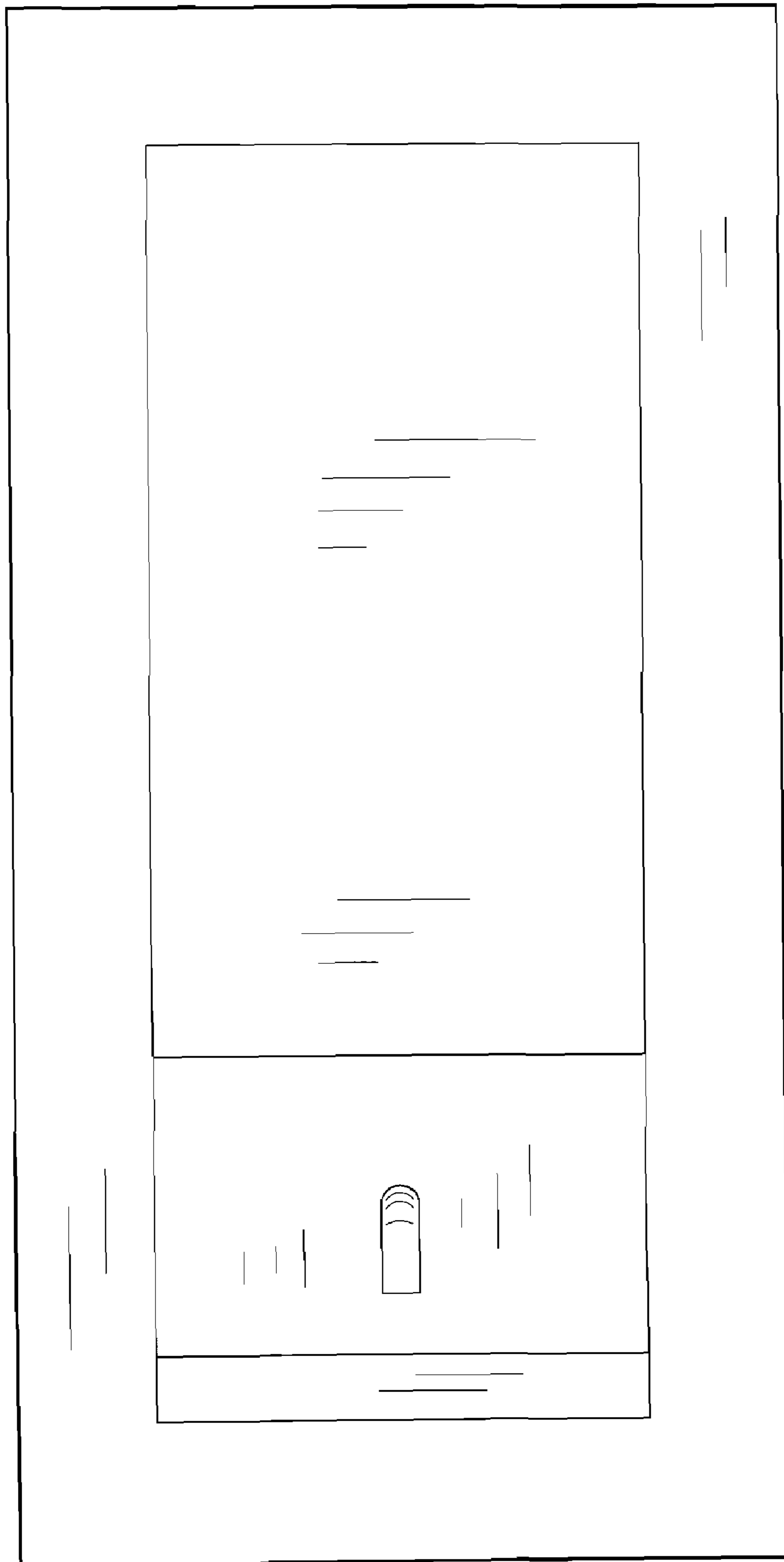


FIG. 5

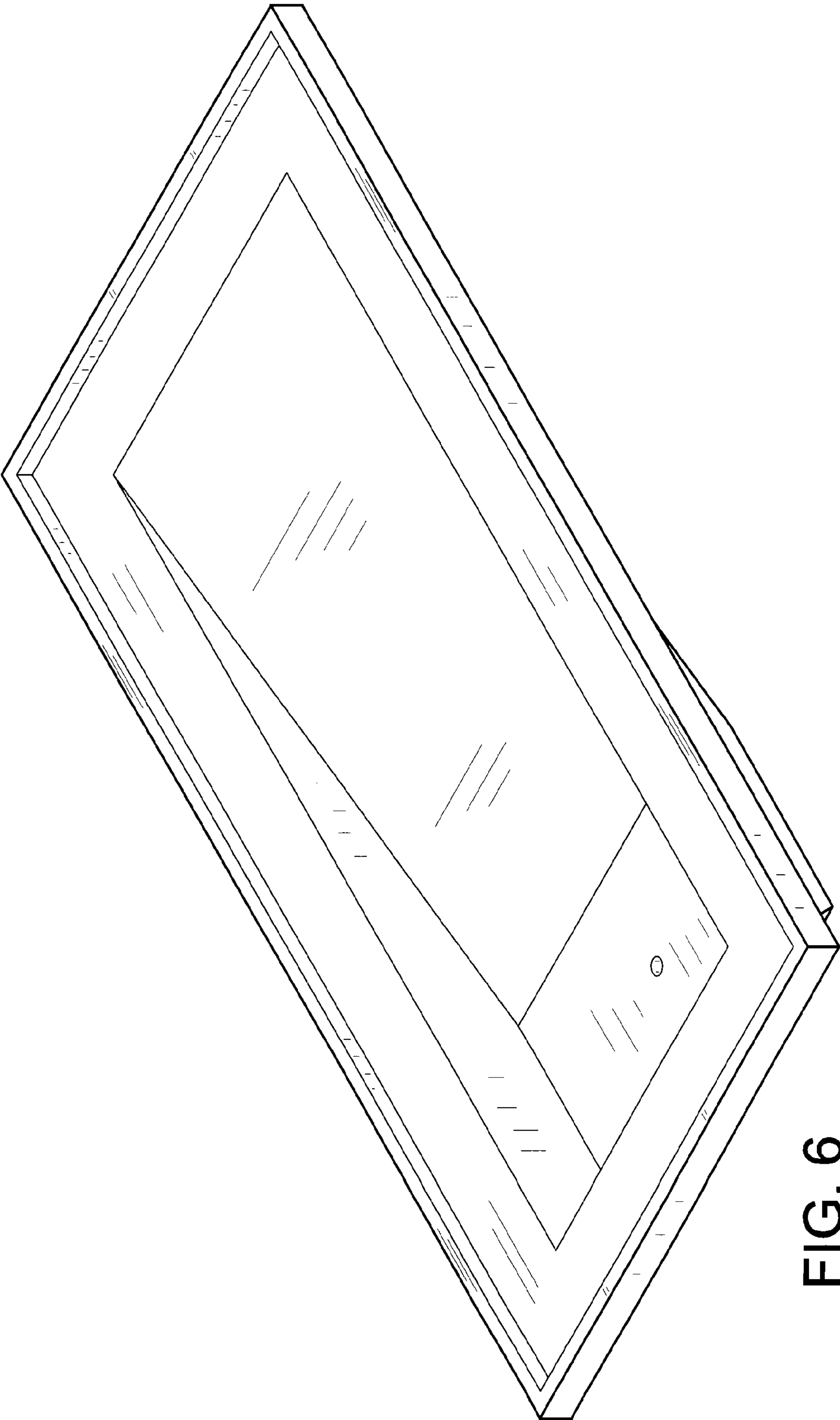


FIG. 6