



US00D590480S

(12) **United States Design Patent**  
**Shieh**

(10) **Patent No.:** **US D590,480 S**

(45) **Date of Patent:** **\*\* Apr. 14, 2009**

(54) **FAUCET HANDLE**

(75) Inventor: **Ming-Dang Shieh**, Chang Hua Hsien  
(TW)

(73) Assignee: **Horng Lai Industrial Co., Ltd.**, Chang  
Hua Hsien (TW)

(\*\*) Term: **14 Years**

(21) Appl. No.: **29/319,533**

(22) Filed: **Jun. 11, 2008**

(51) **LOC (9) Cl.** ..... **23-01**

(52) **U.S. Cl.** ..... **D23/252**

(58) **Field of Classification Search** ..... D23/200,  
D23/238-257; D6/550; D8/300, 307-308;  
4/675-678; 137/801; 16/110.1, 441  
See application file for complete search history.

(56) **References Cited**

**U.S. PATENT DOCUMENTS**

D357,730 S \* 4/1995 Saperstein ..... D23/252  
D512,488 S \* 12/2005 Kulig ..... D23/252  
D517,661 S \* 3/2006 Wolf ..... D23/252  
D522,102 S \* 5/2006 Fritz ..... D23/252

D522,630 S \* 6/2006 Fritz ..... D23/252  
D579,525 S \* 10/2008 Zhang ..... D23/250  
D580,522 S \* 11/2008 Zhang ..... D23/250

\* cited by examiner

*Primary Examiner*—Robert A Delehanty

*Assistant Examiner*—Mark Cavanna

(74) *Attorney, Agent, or Firm*—Alan Kamrath; Kamrath &  
Associates PA

(57) **CLAIM**

The ornamental design for a faucet handle, as shown and  
described.

**DESCRIPTION**

FIG. 1 is a perspective view of a faucet handle showing my  
new design

FIG. 2 is a front elevational view thereof;

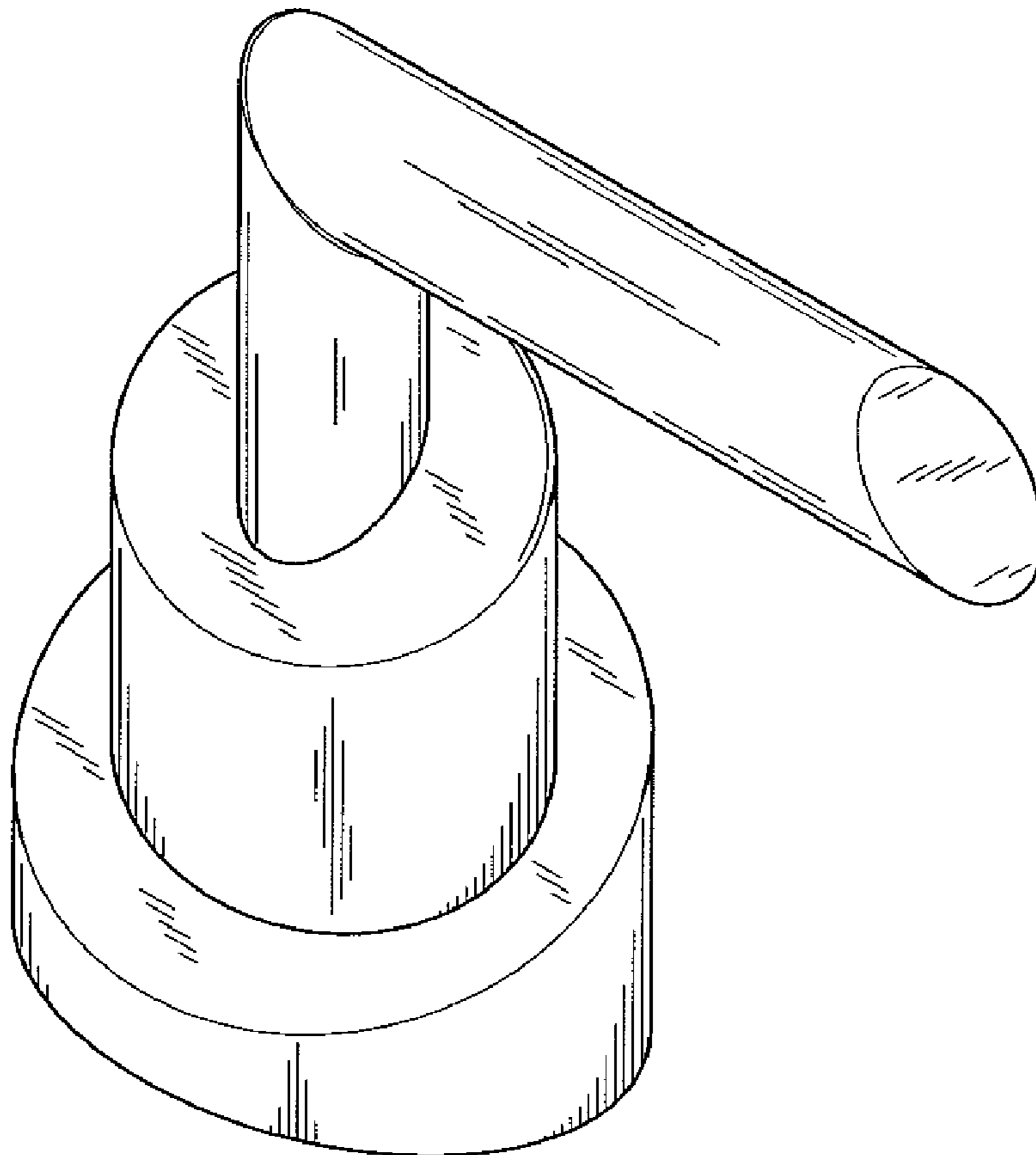
FIG. 3 is a rear elevational view thereof;

FIG. 4 is a left side elevational view thereof;

FIG. 5 is a right side elevational view thereof; and,

FIG. 6 is a top plan view thereof.

**1 Claim, 4 Drawing Sheets**



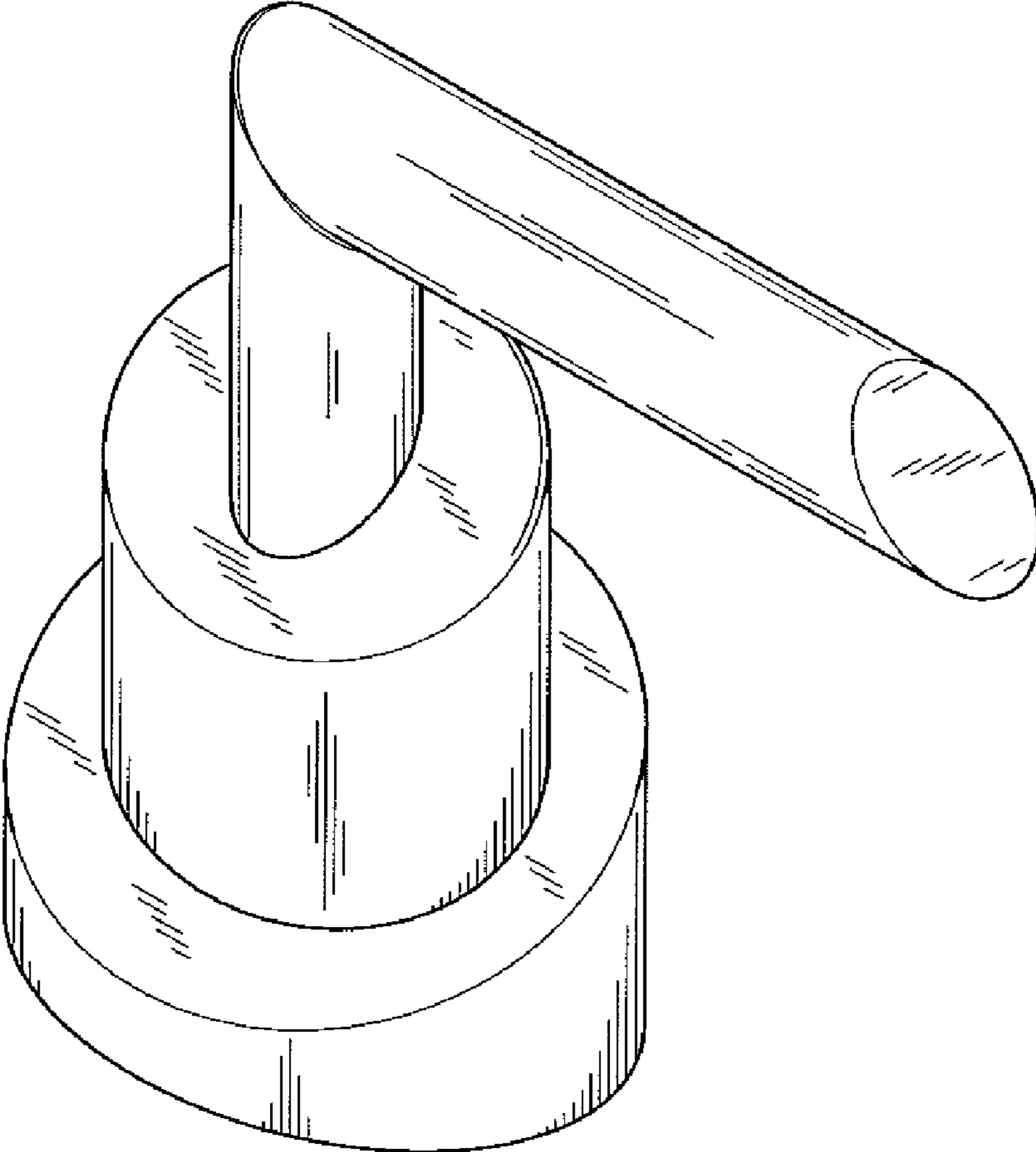


FIG. 1

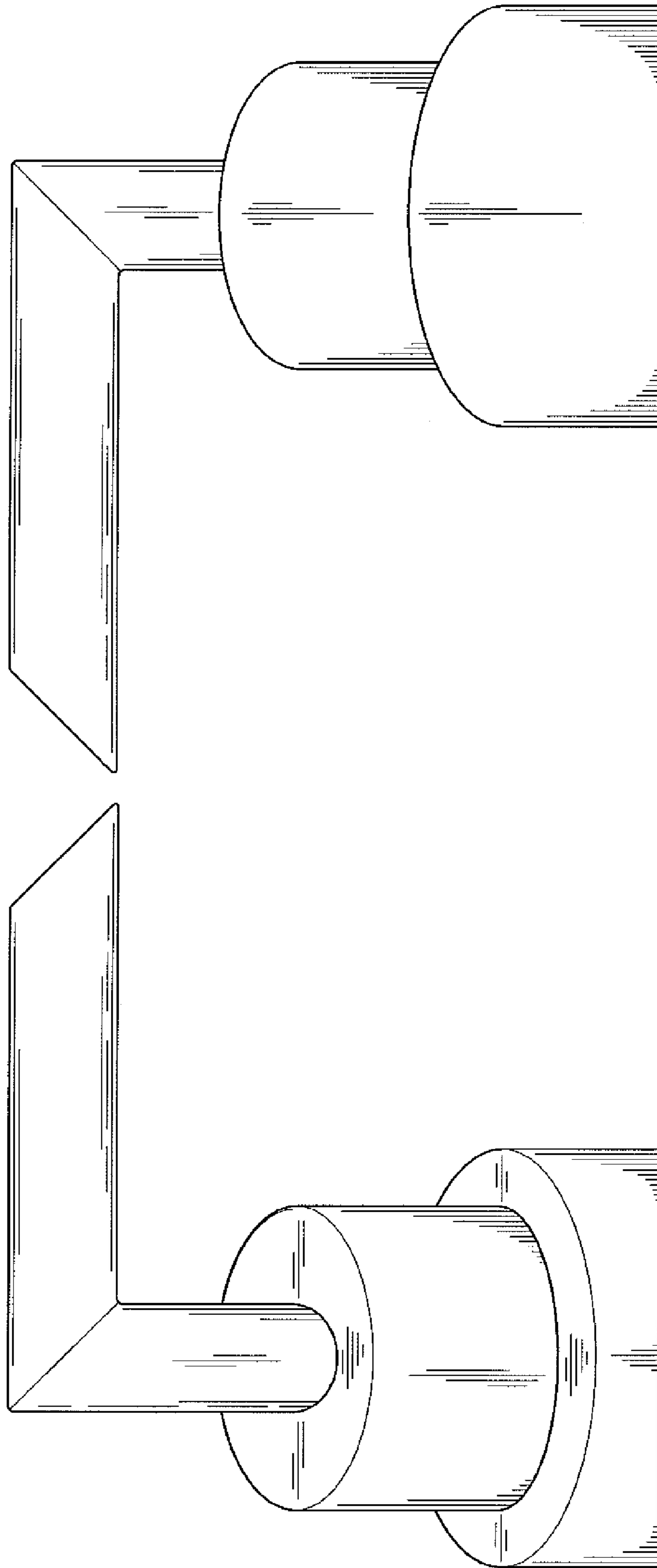


FIG. 2

FIG. 3

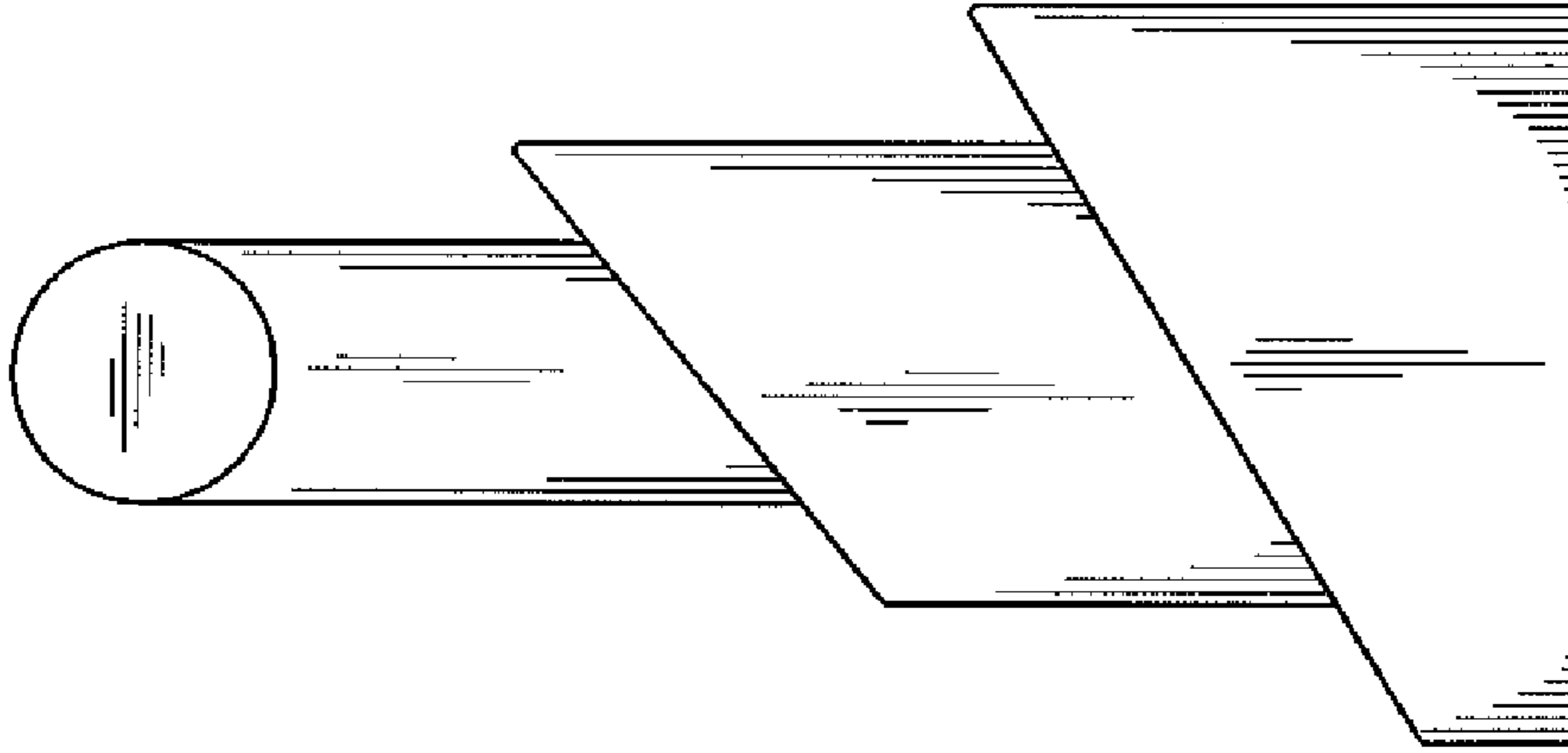


FIG. 5

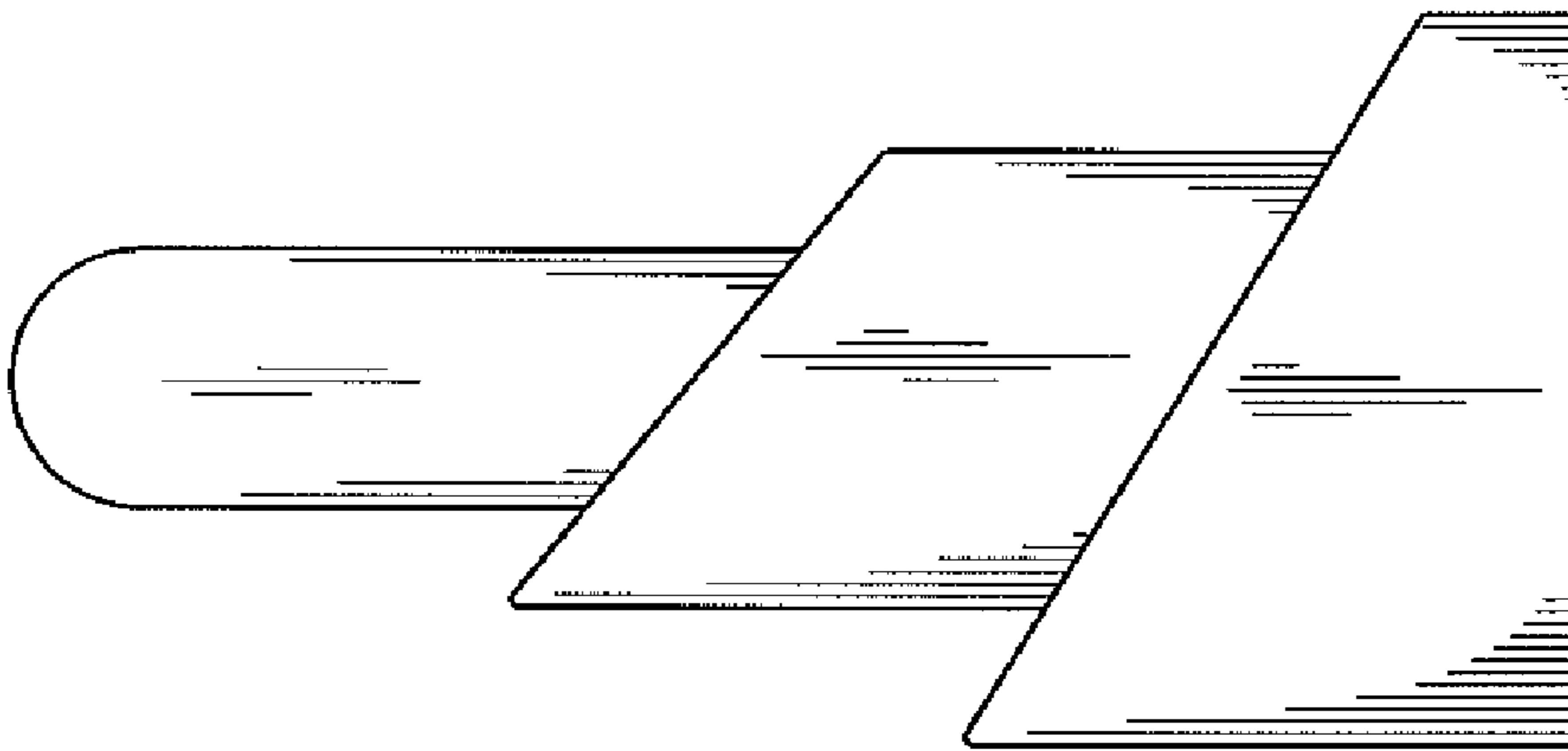


FIG. 4

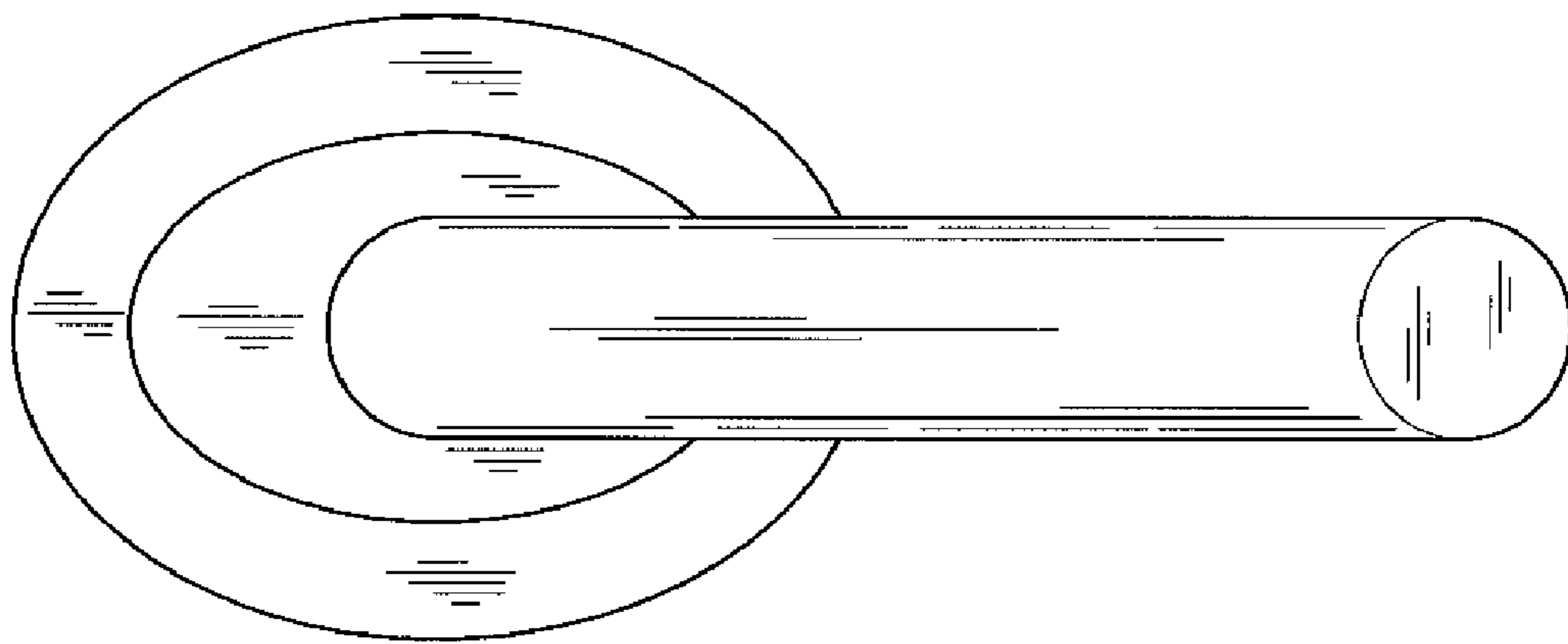


FIG. 6