



US00D590478S

(12) **United States Design Patent**  
**Painter et al.**

(10) **Patent No.:** **US D590,478 S**

(45) **Date of Patent:** **\*\* Apr. 14, 2009**

(54) **KITCHEN FAUCET**

D524,913 S \* 7/2006 Chu ..... D23/238

\* cited by examiner

(75) Inventors: **Michael J. Painter**, Reynoldsburg, OH (US); **Gary Uhl**, Fair Haven, NJ (US)

*Primary Examiner*—Robert A. Delehanty

*Assistant Examiner*—Mark Cavanna

(73) Assignee: **AS IP Holdco, LLC**, Boston, MA (US)

(74) *Attorney, Agent, or Firm*—Frommer Lawrence and Haug LLP; Paul A. Levy

(\*\*) Term: **14 Years**

(57) **CLAIM**

(21) Appl. No.: **29/279,692**

The ornamental design for a kitchen faucet, as shown.

(22) Filed: **May 4, 2007**

**DESCRIPTION**

(51) **LOC (9) Cl.** ..... **23-01**

FIG. 1 is a left side view of the kitchen faucet of my invention;

(52) **U.S. Cl.** ..... **D23/238**

FIG. 2 is a right side view;

(58) **Field of Classification Search** ..... D23/200,

FIG. 3 is a front view;

D23/238–257; D6/512, 546, 550; D8/300,

FIG. 4 is a rear view;

D8/307–308, 310–312, 321; 4/675–678;

FIG. 5 is a top view;

137/801; 16/110.1, 441

FIG. 6 is a bottom view; and,

See application file for complete search history.

FIG. 7 is a front perspective view.

(56) **References Cited**

The broken lines are included for the purpose of illustrating a portion of the kitchen faucet that forms no part of the claimed design.

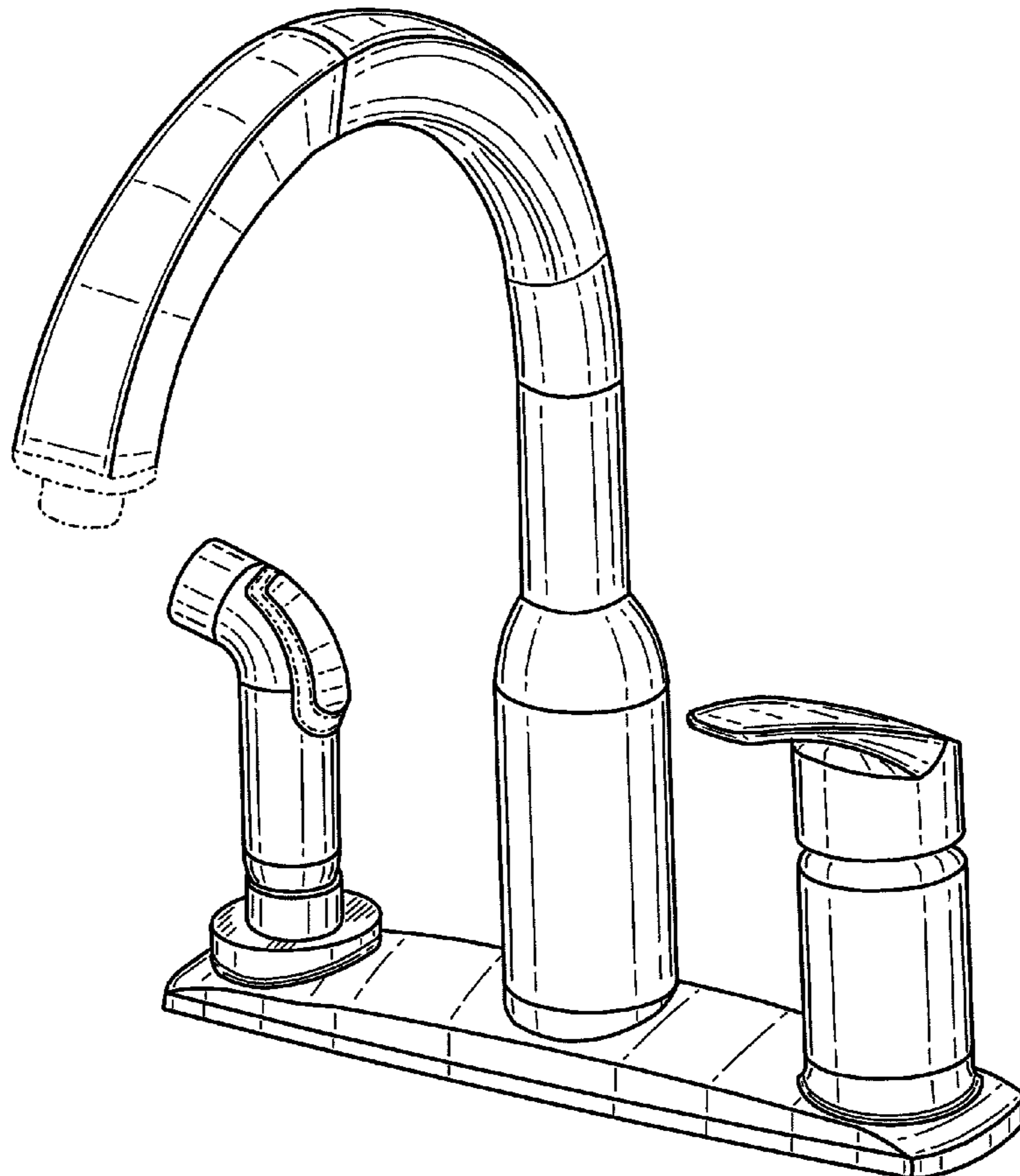
**U.S. PATENT DOCUMENTS**

D479,582 S \* 9/2003 Citterio ..... D23/241

D515,180 S \* 2/2006 Ouyoung ..... D23/239

D521,601 S \* 5/2006 Uhl ..... D23/240

**1 Claim, 7 Drawing Sheets**



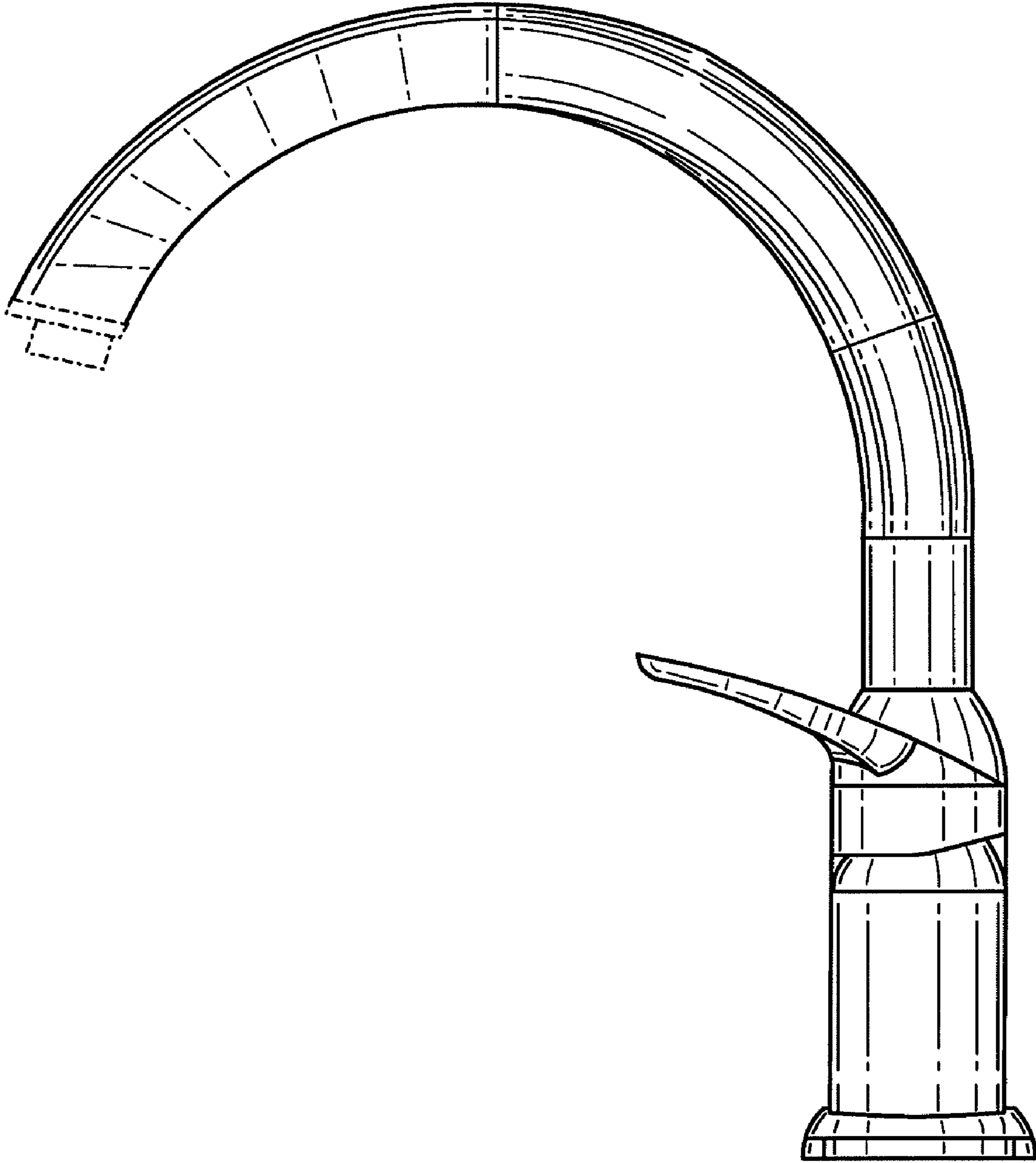


FIG. 1

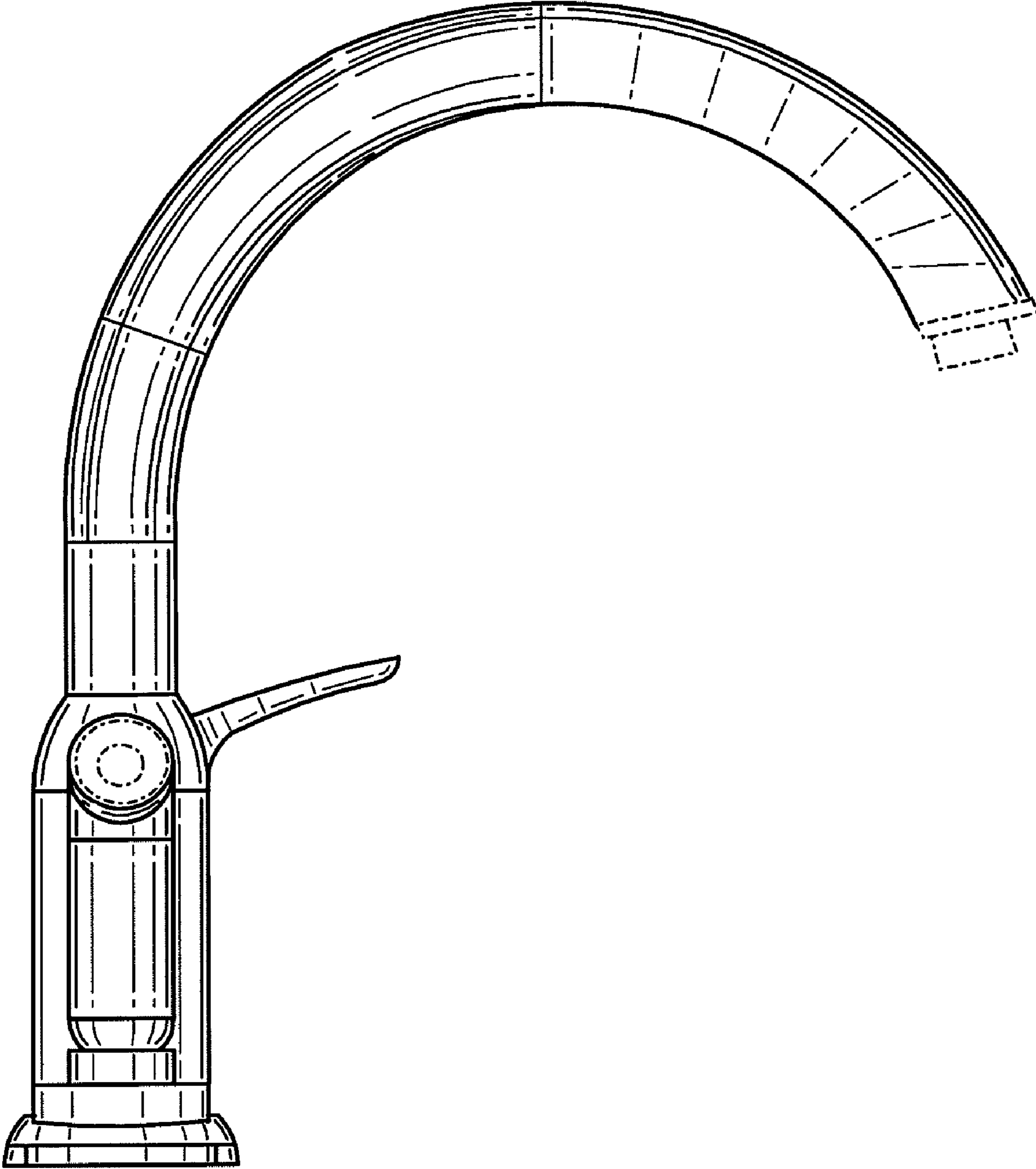


FIG. 2

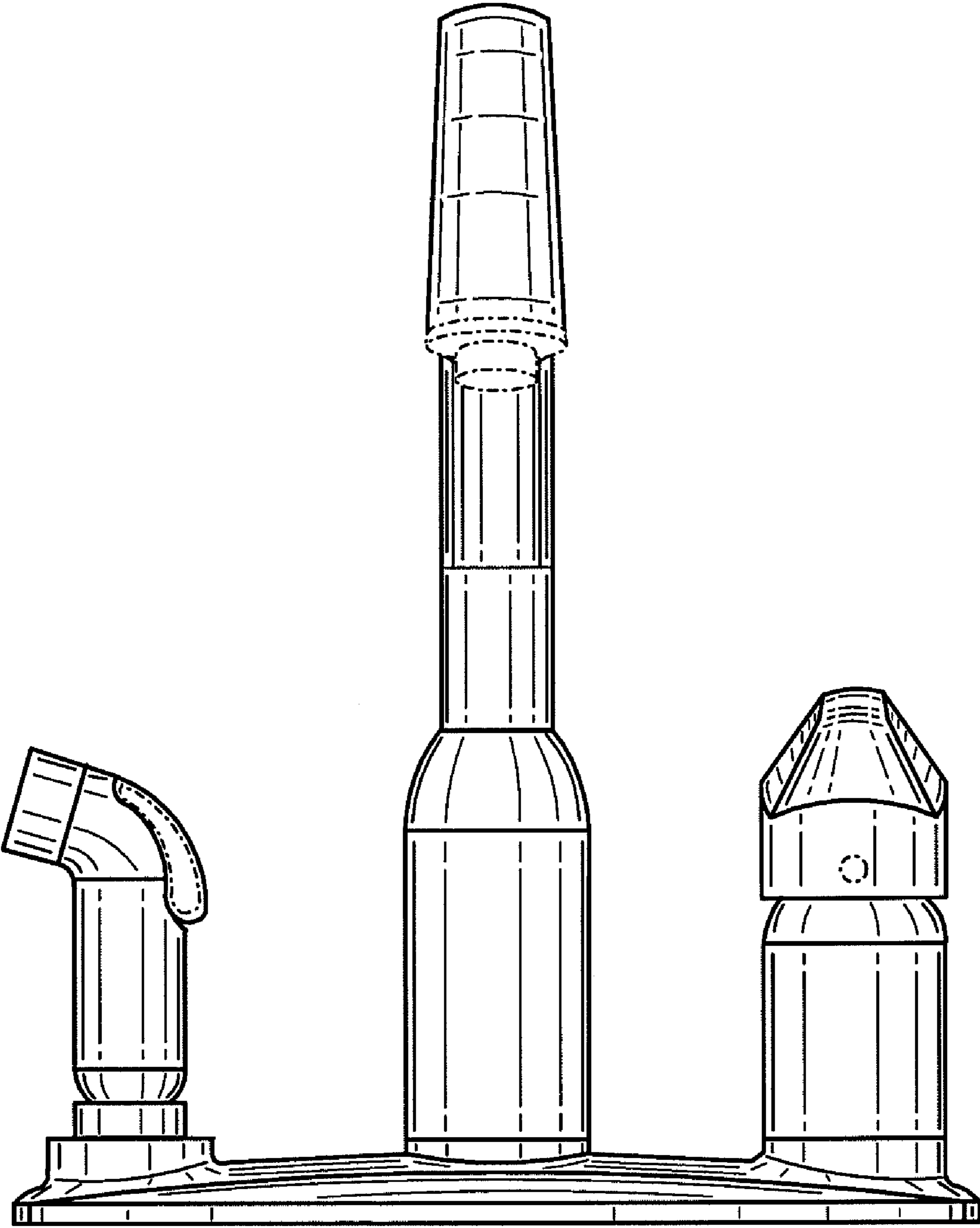


FIG. 3

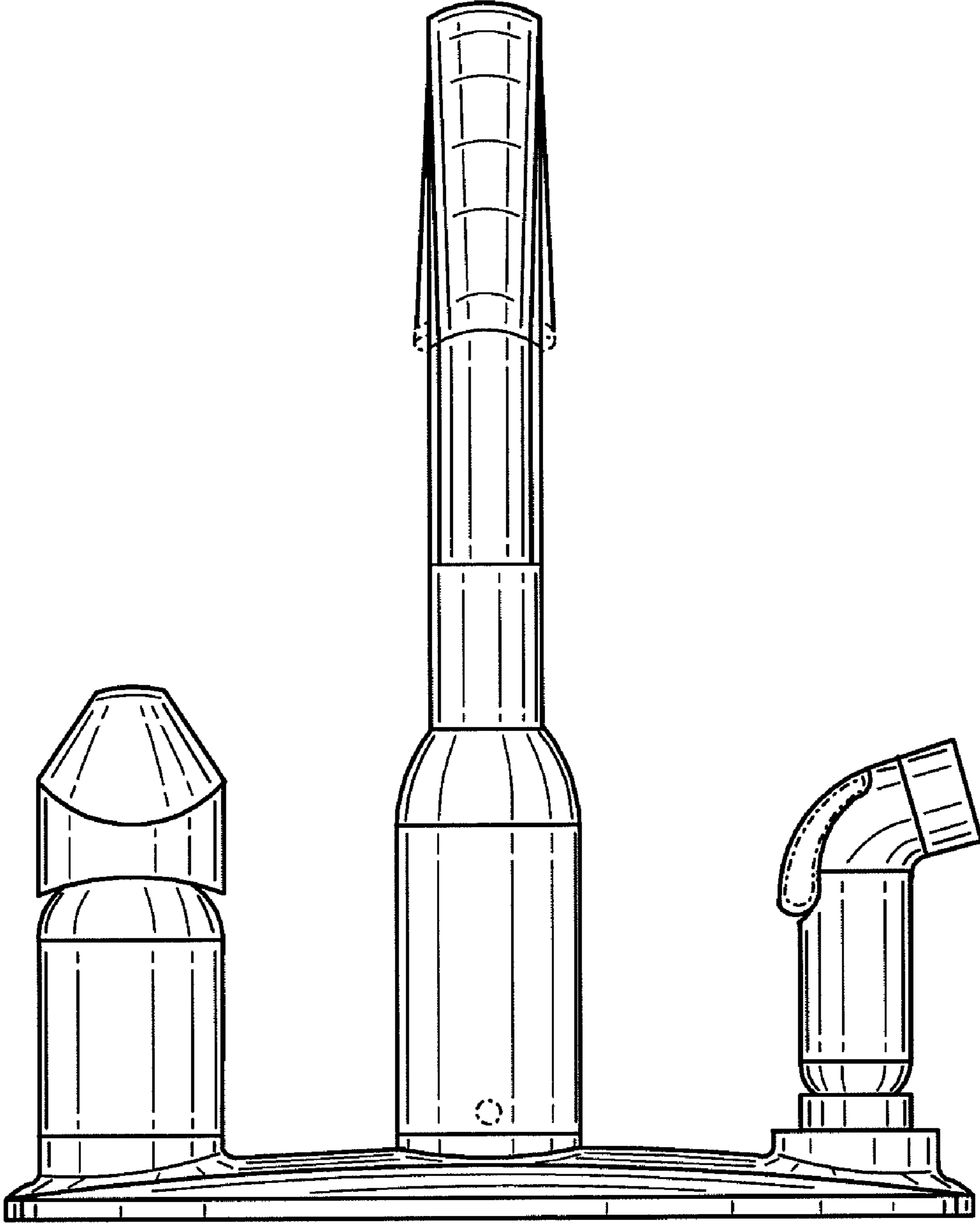


FIG. 4

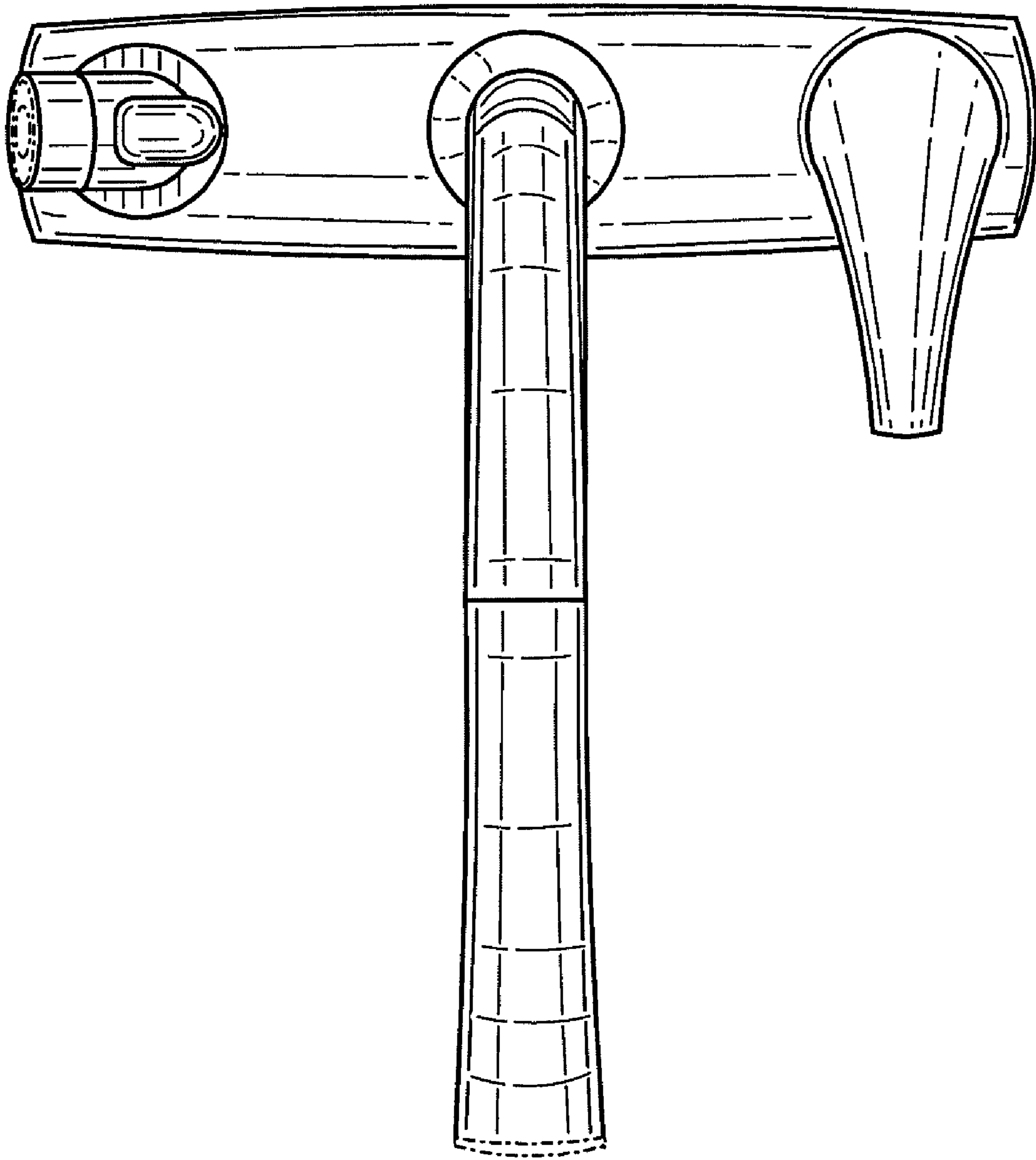


FIG. 5

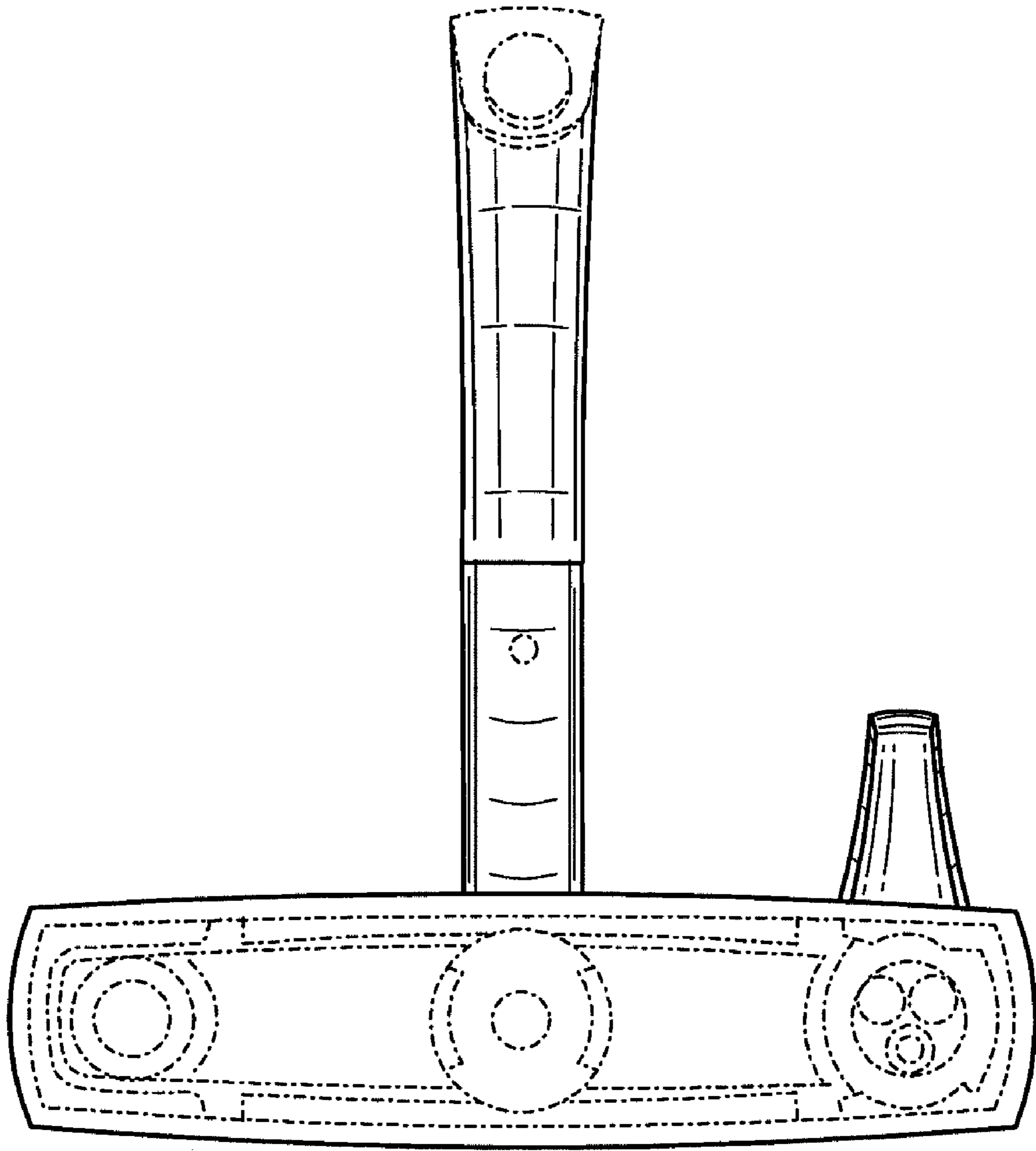


FIG. 6



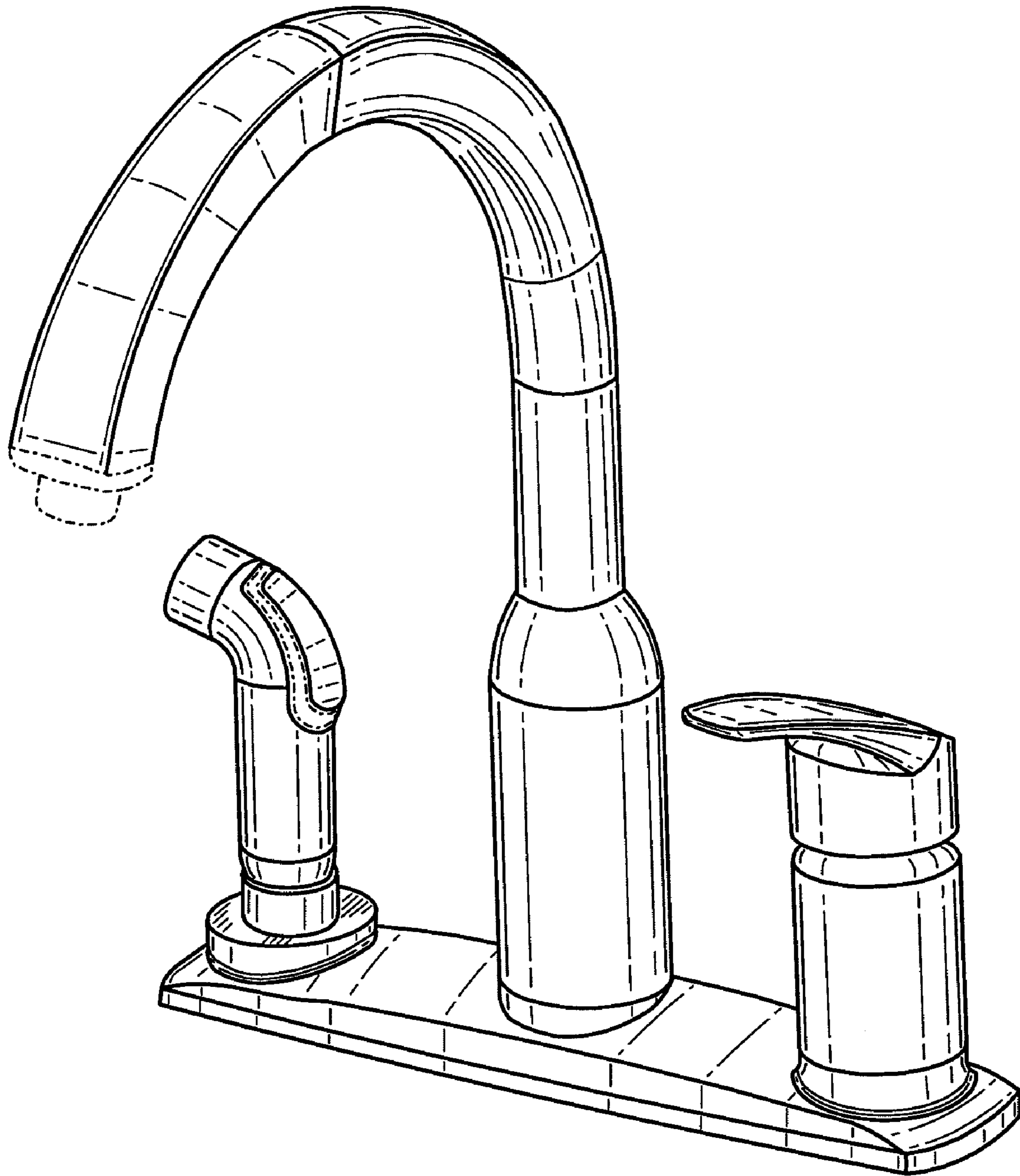


FIG. 7