



US00D590477S

(12) **United States Design Patent**  
**Schoenherr et al.**

(10) **Patent No.:** **US D590,477 S**

(45) **Date of Patent:** **\*\* Apr. 14, 2009**

(54) **SHOWERHEAD**

(75) Inventors: **Tom Schoenherr**, Stuttgart (DE);  
**Fabian Kollmann**, Stuttgart (DE)

(73) Assignee: **Hansgrohe AG**, Schiltach (DE)

(\*\*) Term: **14 Years**

(21) Appl. No.: **29/322,134**

(22) Filed: **Jul. 30, 2008**

(30) **Foreign Application Priority Data**

Jan. 31, 2008 (EP) ..... 000870282-0010

(51) **LOC (9) Cl.** ..... **23-01**

(52) **U.S. Cl.** ..... **D23/213**

(58) **Field of Classification Search** ..... D23/213,  
D23/223, 229–230; 239/282–283, 460, 462  
See application file for complete search history.

(56) **References Cited**

**U.S. PATENT DOCUMENTS**

D532,076 S	*	11/2006	Mazzola	.....	D23/213
D562,937 S	*	2/2008	Schoenherr et al.	.....	D23/213
D566,228 S	*	4/2008	Neagoe	.....	D23/213
D576,251 S	*	9/2008	Schoenherr et al.	.....	D23/213
D581,013 S	*	11/2008	Citterio	.....	D23/213

**OTHER PUBLICATIONS**

Brochure—innovation & design, 4 pgs., Alea, Gattinara, Italy (at least as early as Feb. 28, 2006).

Brochure—newarc choose your own style, 3 pgs., Ece Armatur Sanayi ve Ticaret A.S., Samandira, Istanbul (at least as early as Feb. 2006).

\* cited by examiner

*Primary Examiner*—Robin V Webster

(74) *Attorney, Agent, or Firm*—Leon E. Redman

(57) **CLAIM**

The ornamental design for a showerhead, as shown and described.

**DESCRIPTION**

FIG. 1 is a front perspective view of a showerhead showing our design;

FIG. 2 is a front elevational view thereof;

FIG. 3 is a rear elevational view thereof;

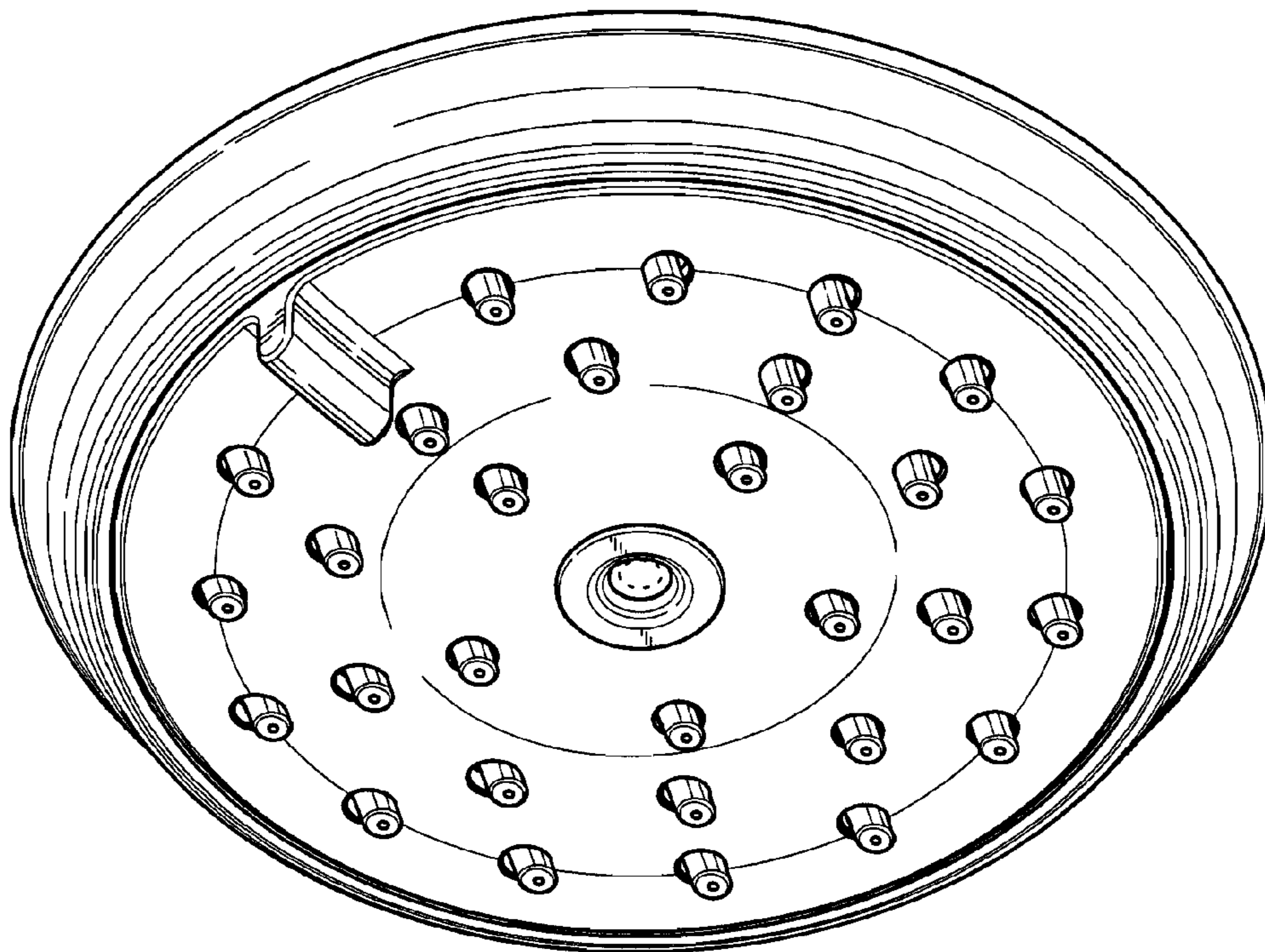
FIG. 4 is a left side elevational view thereof; the right side elevational view being a mirror image thereof;

FIG. 5 is a top plan view thereof; and,

FIG. 6 is a bottom plan view thereof.

The broken lines in the figures are for the purpose of illustrating portions of the showerhead that form no part of the claimed design.

**1 Claim, 6 Drawing Sheets**



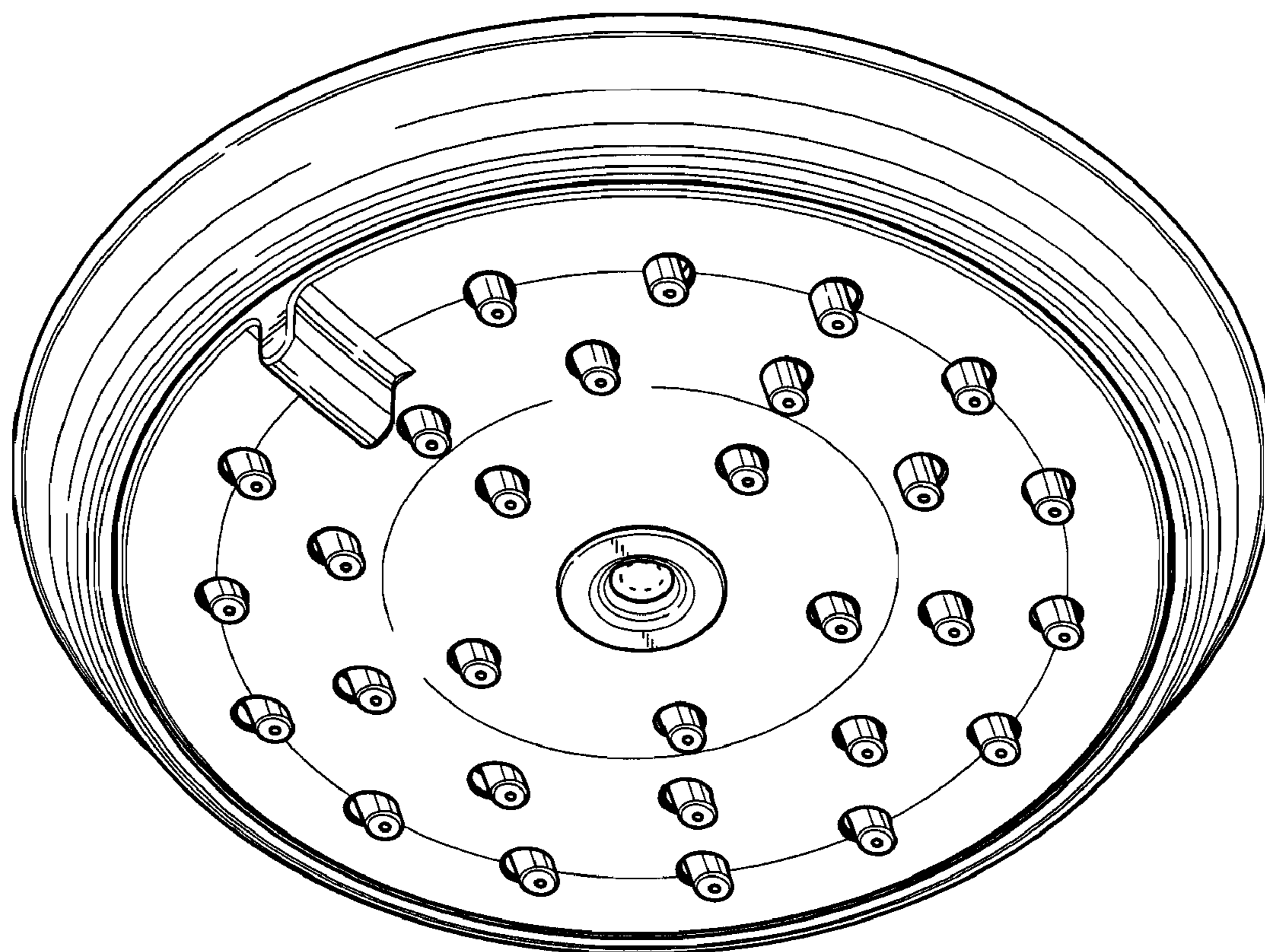


FIG. 1

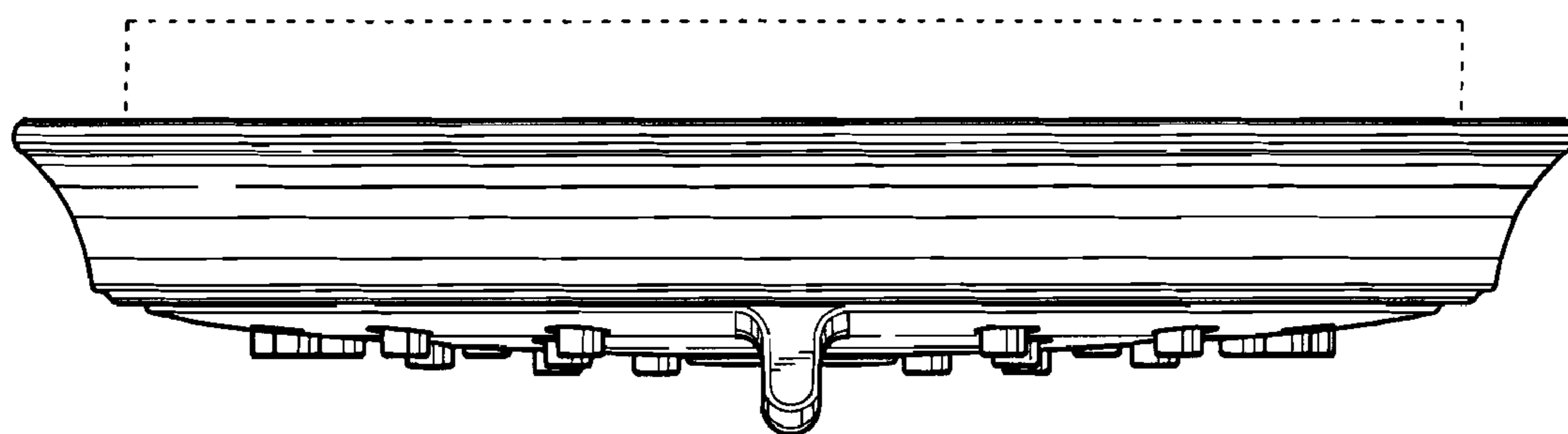


FIG. 2

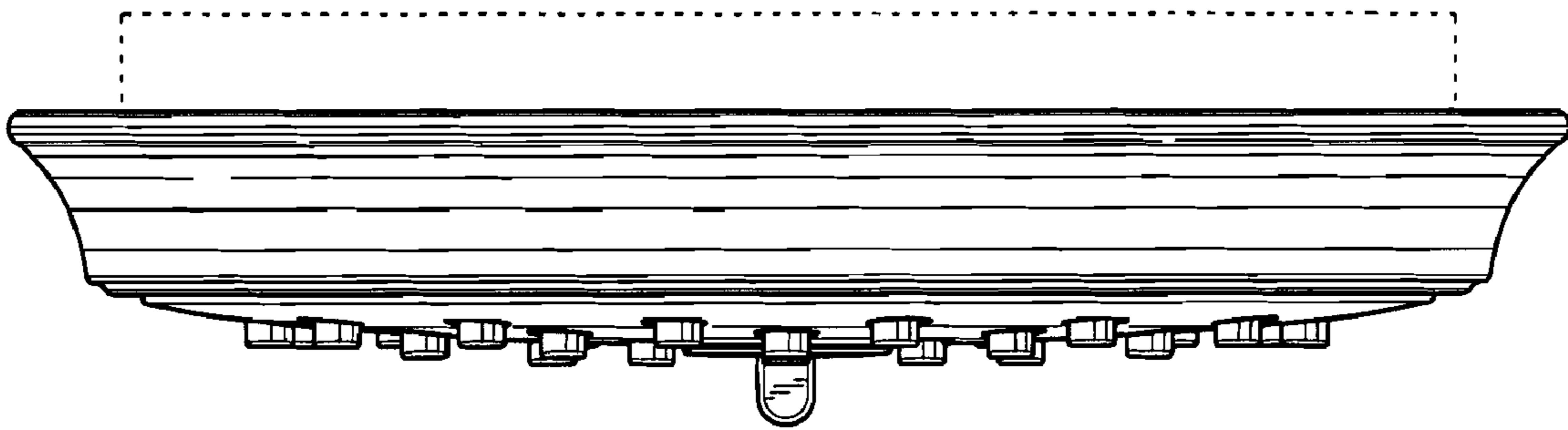


FIG. 3

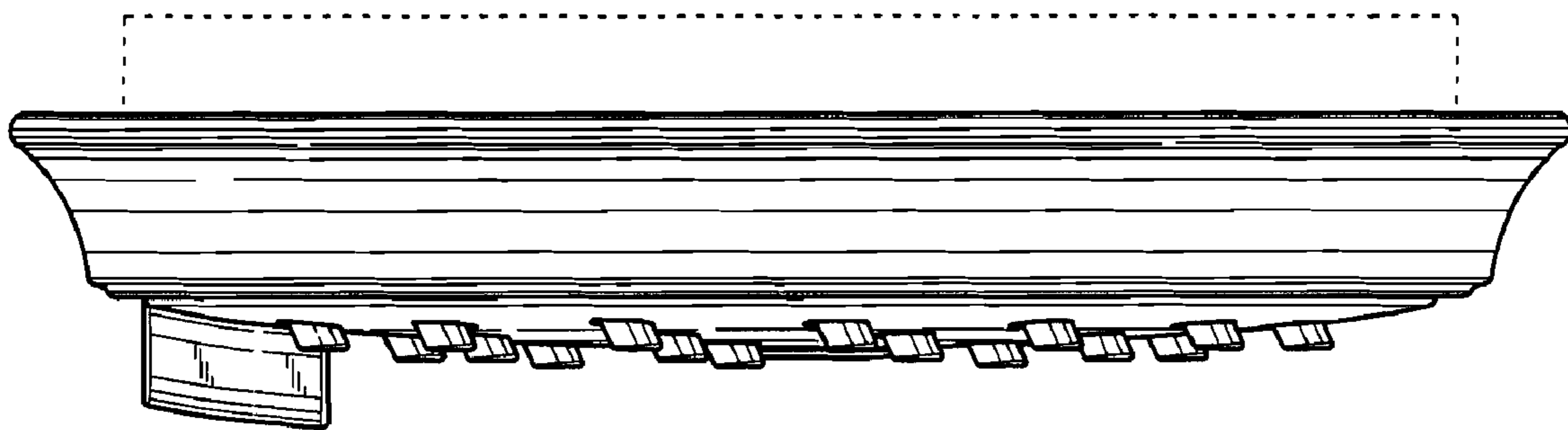


FIG. 4

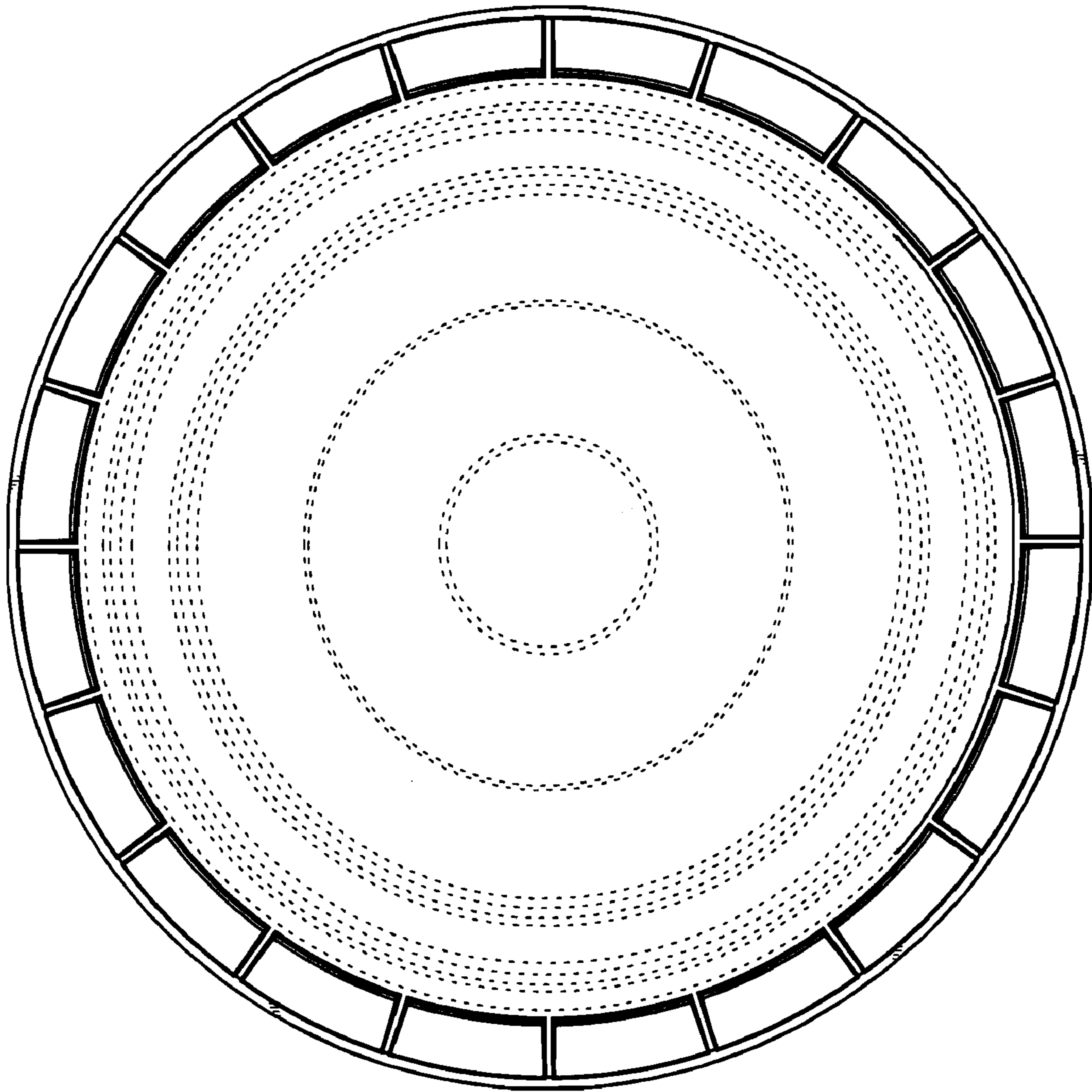


FIG. 5

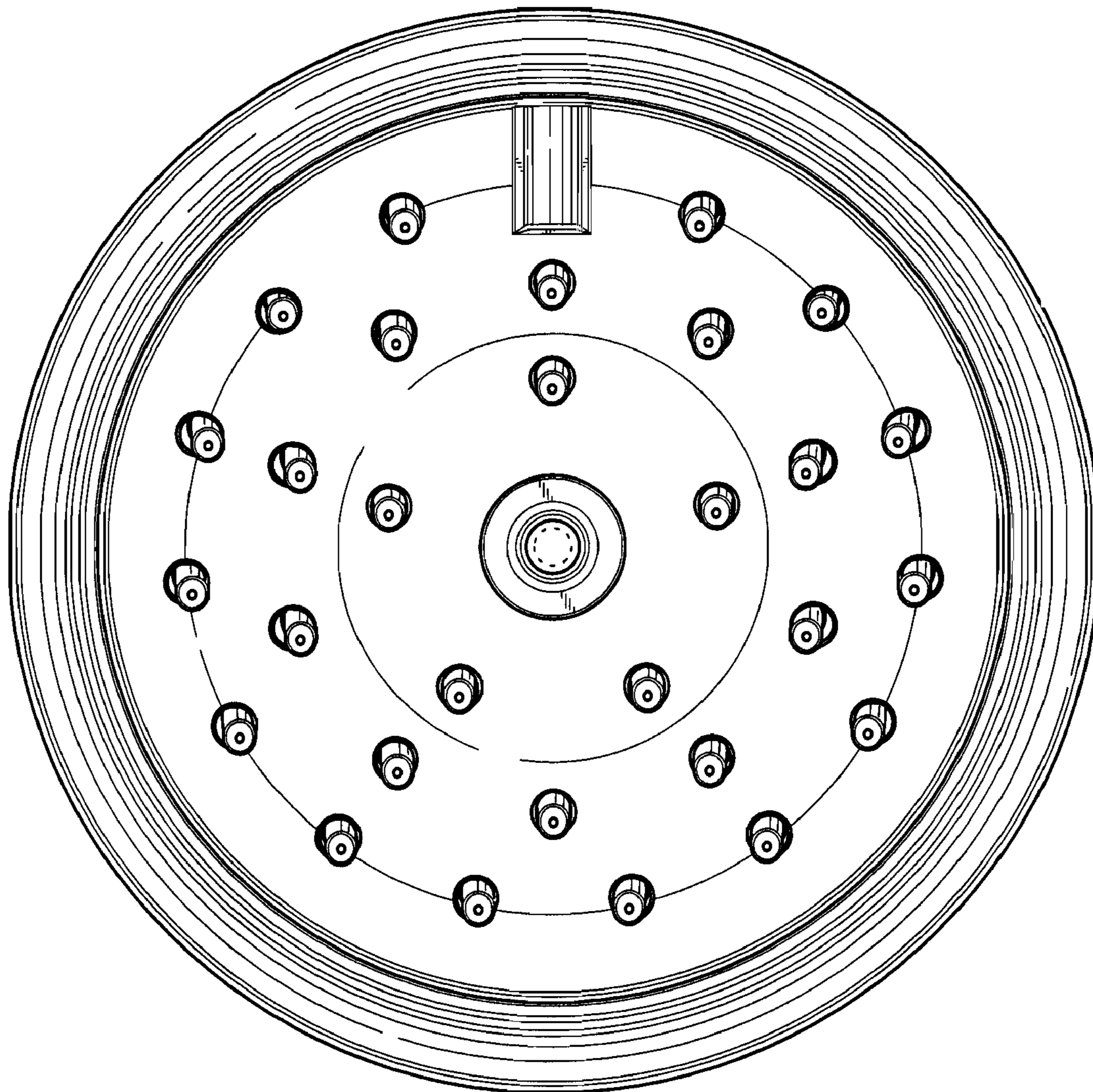


FIG. 6