

US00D590476S

(12) **United States Design Patent**
Schönherr et al.

(10) **Patent No.:** **US D590,476 S**
(45) **Date of Patent:** **** Apr. 14, 2009**

(54) **SHOWERHEAD**

D562,936 S * 2/2008 Garner D23/213

(75) Inventors: **Tom Schönherr**, Stuttgart (DE); **Anke Salomon**, Stuttgart (DE)

OTHER PUBLICATIONS

RubINETTERIE Ritmonio Srl—bionconiglio Showerhead, 2000.

(73) Assignee: **Hansgrohe AG**, Schiltach (DE)

* cited by examiner

(**) Term: **14 Years**

Primary Examiner—Robin V Webster

(74) *Attorney, Agent, or Firm*—Leon E. Redman

(21) Appl. No.: **29/280,795**

(57) **CLAIM**

(22) Filed: **Jun. 7, 2007**

The ornamental design for a showerhead, as shown and described.

(30) **Foreign Application Priority Data**

DESCRIPTION

Dec. 19, 2006 (EM) 000640354-0003

(51) **LOC (9) Cl.** **23-01**

FIG. 1 is a front perspective view of a showerhead showing our design;

(52) **U.S. Cl.** **D23/213**

FIG. 2 is a front elevational view thereof;

(58) **Field of Classification Search** D23/213,
D23/229–230, 238, 255; 239/282–283; 4/567,
4/615

FIG. 3 is a right side elevational view thereof; the left side elevational view being a mirror image thereof;

See application file for complete search history.

FIG. 4 is a bottom plan view thereof;

(56) **References Cited**

FIG. 5 is a rear elevational view thereof; and,

U.S. PATENT DOCUMENTS

FIG. 6 is a top plan view thereof.

D519,617 S * 4/2006 Hoernig D23/255

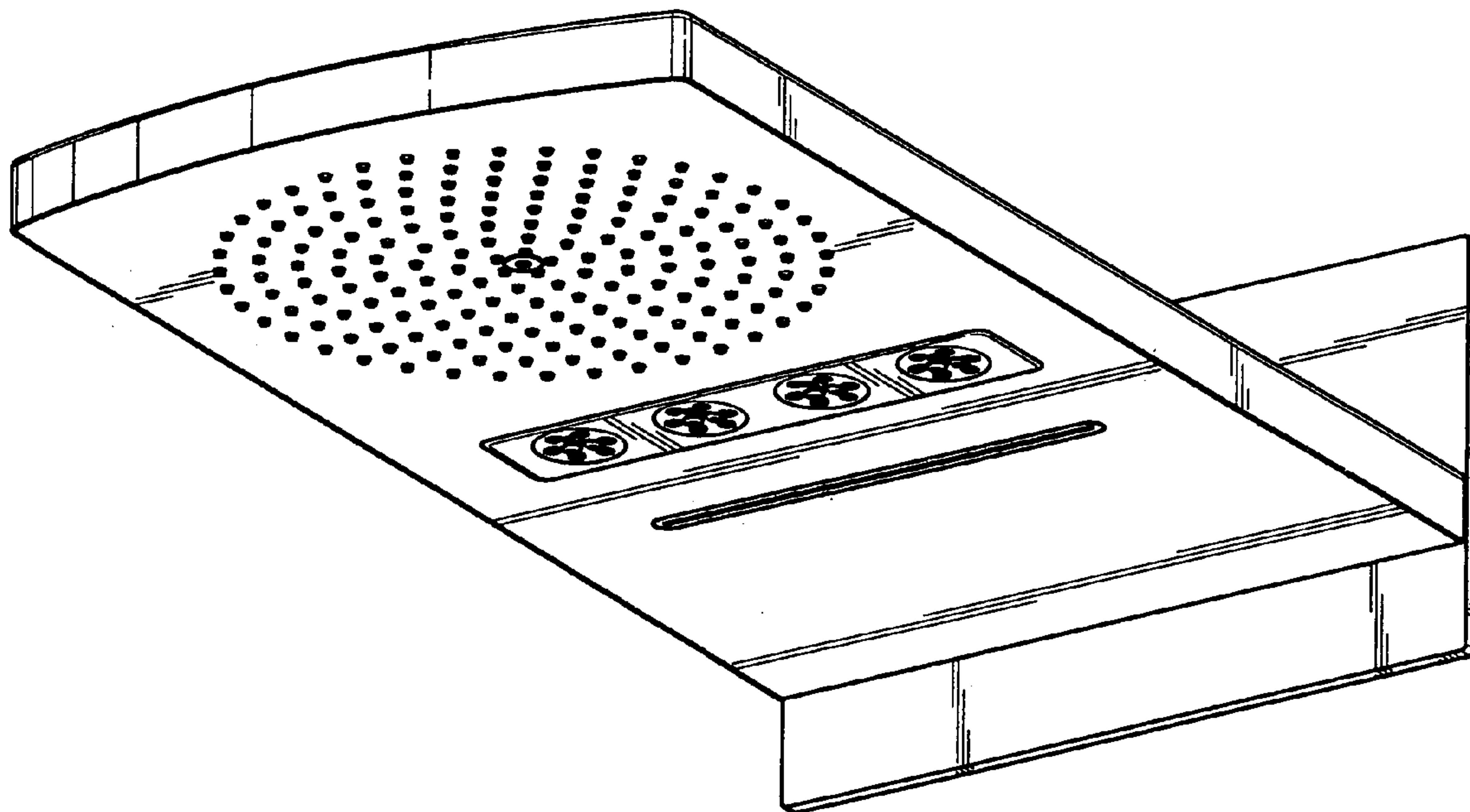
The broken lines in the Figures are for illustrative purposes only and form no part of the claimed design.

D530,782 S * 10/2006 Starck D23/238

D553,708 S * 10/2007 Garner D23/213

D557,384 S * 12/2007 Garner D23/255

1 Claim, 3 Drawing Sheets



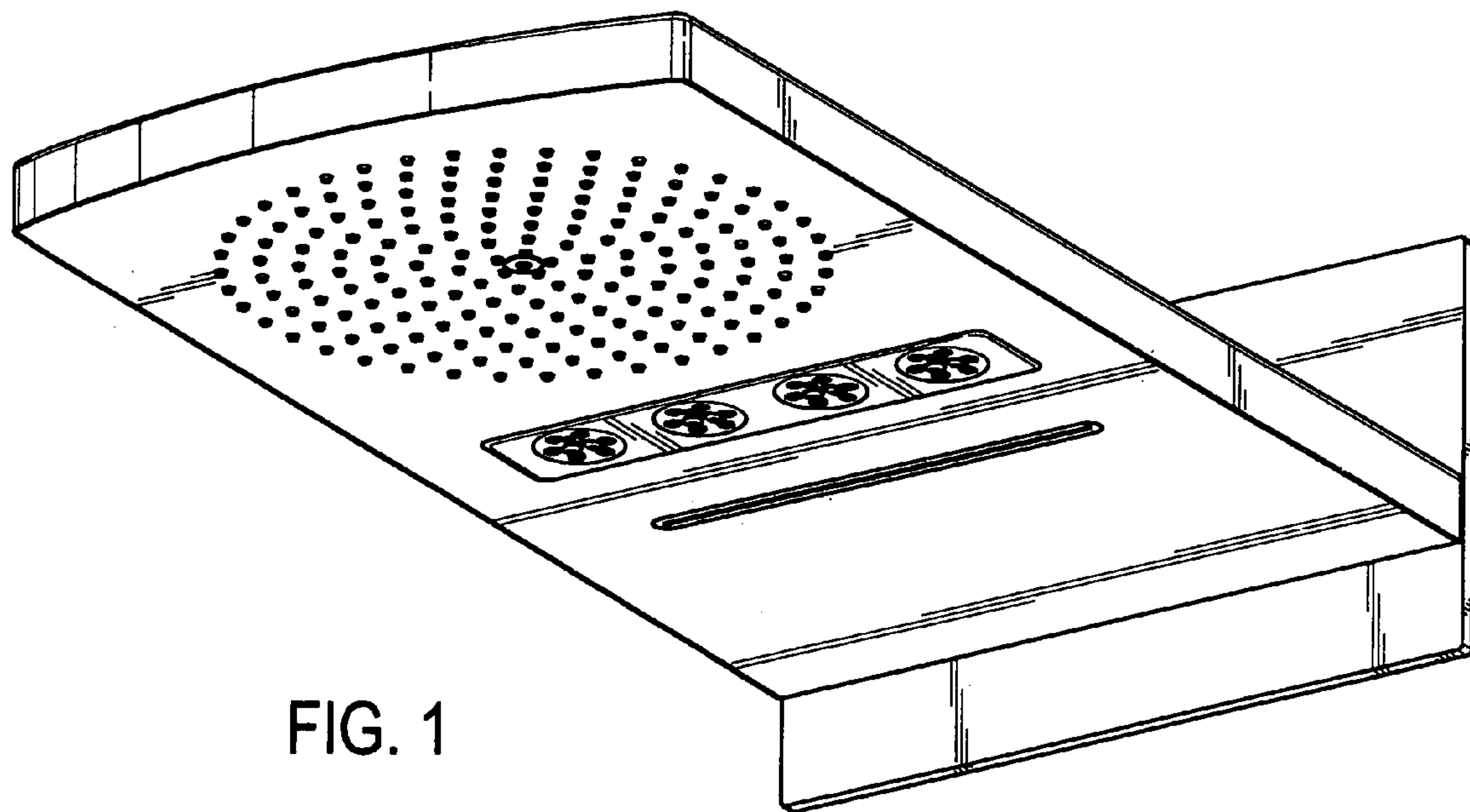


FIG. 1

FIG. 2

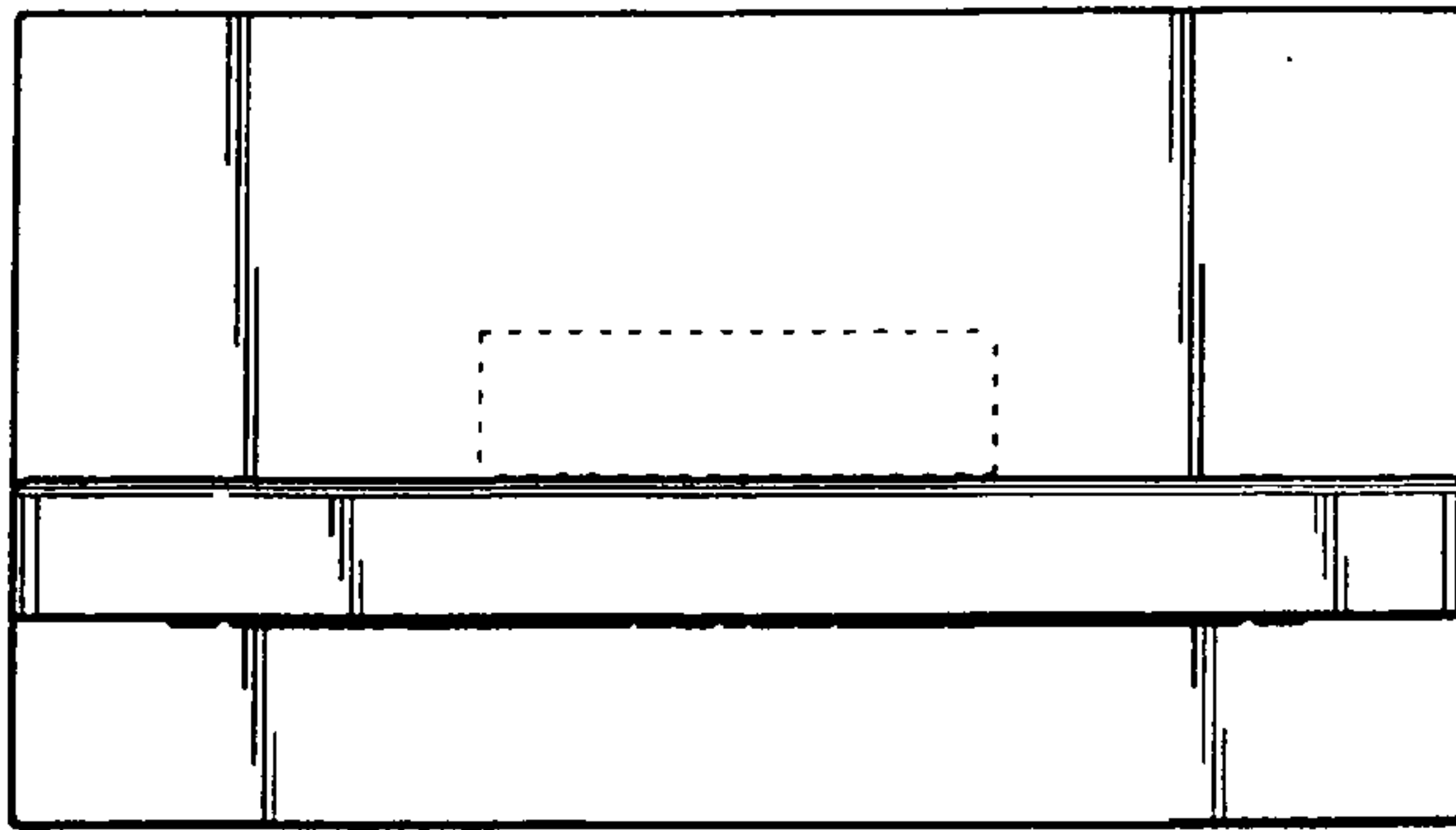


FIG. 3

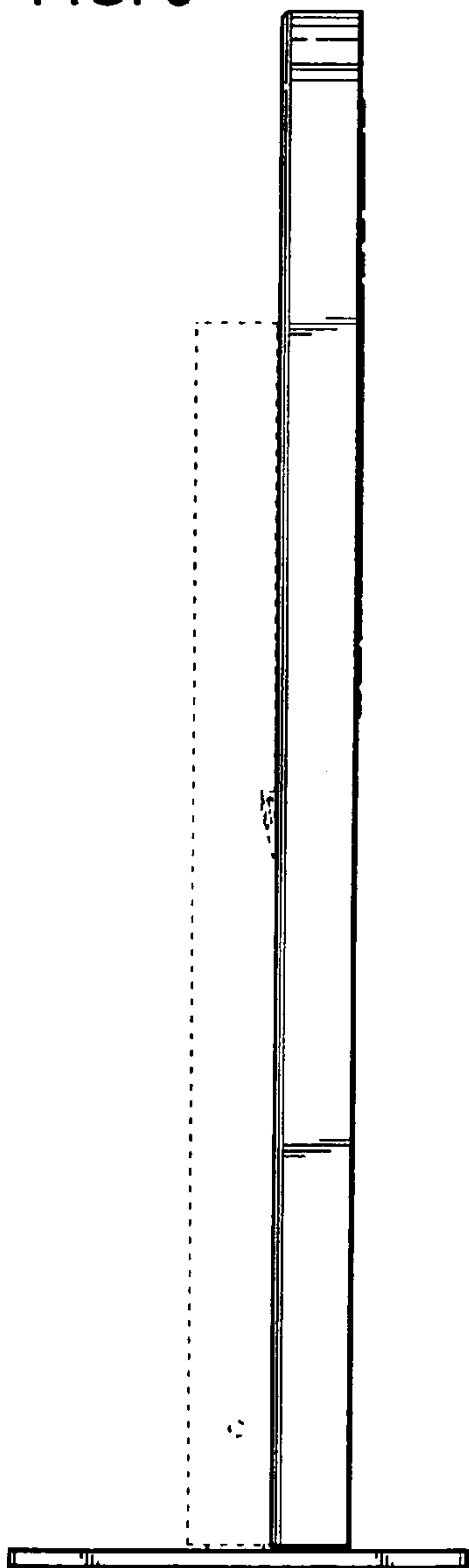


FIG. 4

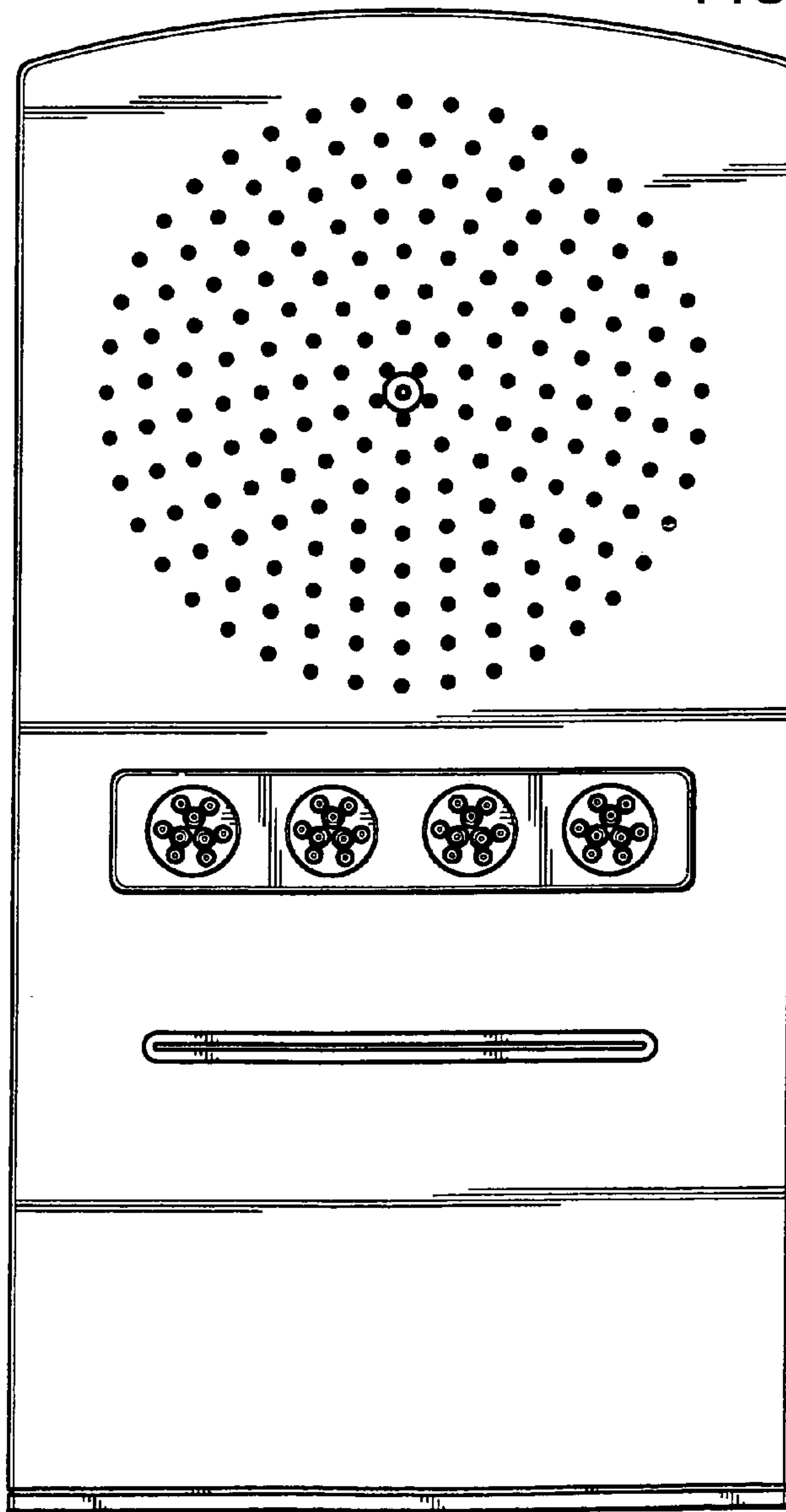


FIG. 5

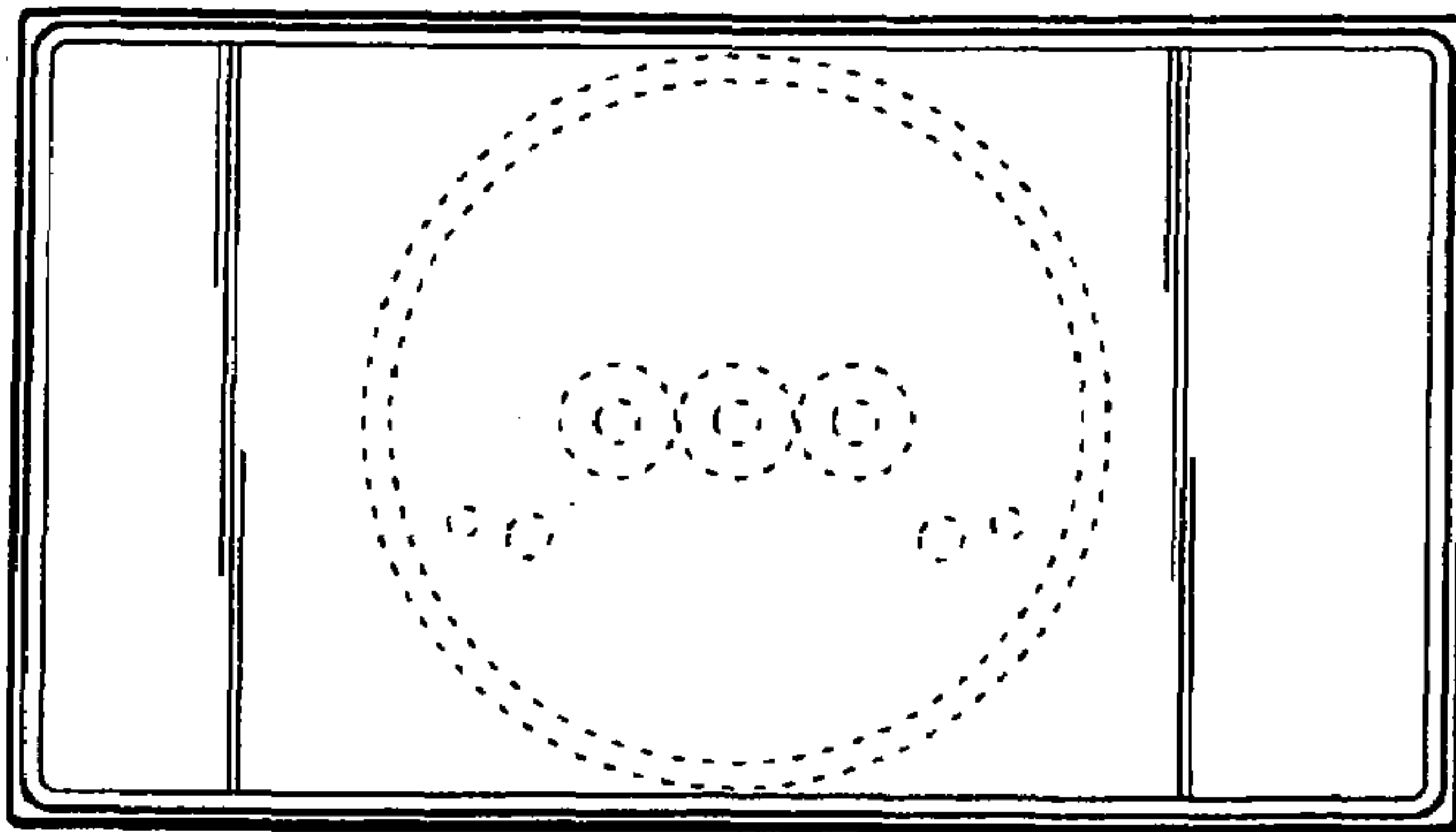


FIG. 6

