



US00D590475S

(12) **United States Design Patent**
Bell et al.

(10) **Patent No.:** **US D590,475 S**
(45) **Date of Patent:** **** Apr. 14, 2009**

(54) **ELEMENT OF A WATER FILTER**

(75) Inventors: **Russell E. Bell**, Pleasanton, CA (US);
Jeehyang Kim, San Francisco, CA (US);
Sharon Olsen, Stockton, CA (US);
Kaitlin Olsen, Pasadena, CA (US)

(73) Assignee: **The Clorox Company**, Oakland, CA
(US)

(**) Term: **14 Years**

(21) Appl. No.: **29/324,564**

(22) Filed: **Sep. 15, 2008**

Related U.S. Application Data

(63) Continuation of application No. 29/302,373, filed on
Jan. 15, 2008, now Pat. No. Des. 579,515.

(51) **LOC (9) Cl.** **23-01**

(52) **U.S. Cl.** **D23/209**

(58) **Field of Classification Search** D23/207,
D23/209; 210/464, 282
See application file for complete search history.

(56) **References Cited**

U.S. PATENT DOCUMENTS

4,895,648	A	1/1990	Hankammer
4,969,996	A	11/1990	Hankammer
D312,863	S	12/1990	Hankammer
4,995,310	A	2/1991	Van der Lijn et al.
5,049,272	A	9/1991	Nieweg
D320,640	S	10/1991	Goodwin
5,076,922	A	12/1991	DeAre
D370,711	S	6/1996	Serenko et al.
D372,069	S	7/1996	Brancazio
D374,911	S	10/1996	Kahana

5,637,214	A	6/1997	Kahana
D380,535	S	* 7/1997	Joergensen D23/365
D388,154	S	12/1997	Pesa
5,811,004	A	9/1998	Robertson et al.
5,989,424	A	11/1999	Serenko et al.
6,042,725	A	3/2000	Serenko et al.
D435,084	S	12/2000	Northern et al.
6,238,552	B1	5/2001	Shannon
6,524,477	B1	2/2003	Hughes
6,638,426	B1	* 10/2003	Fritter et al. 210/266
D529,127	S	9/2006	Cueman
D548,307	S	8/2007	Reynolds et al.

* cited by examiner

Primary Examiner—Robin V Webster

(74) *Attorney, Agent, or Firm*—Thomas C. Feix

(57) **CLAIM**

The ornamental design for an element of a water filter, as shown and described.

DESCRIPTION

FIG. 1 is a top perspective view of element of a water filter of the present invention;

FIG. 2 is top plan view thereof;

FIG. 3 is a bottom plan view thereof;

FIG. 4 is a front elevational view thereof;

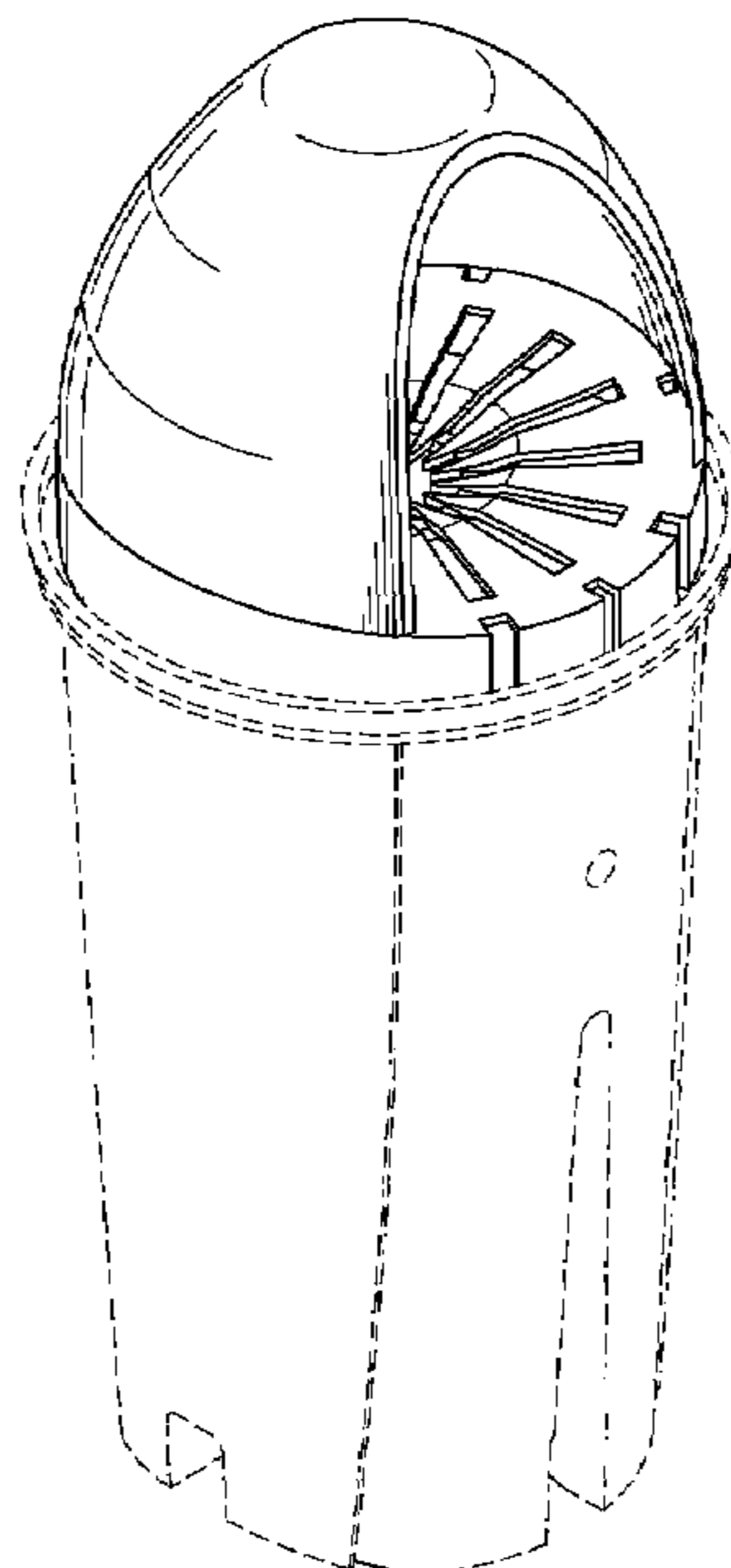
FIG. 5 is a back elevational view thereof;

FIG. 6 is a right side elevational view thereof; and,

FIG. 7 is a left side elevational view thereof.

The broken line showing of a lower housing portion of a water filter in FIGS. 1–7 is environmental only and forms no part of the claimed design.

1 Claim, 2 Drawing Sheets



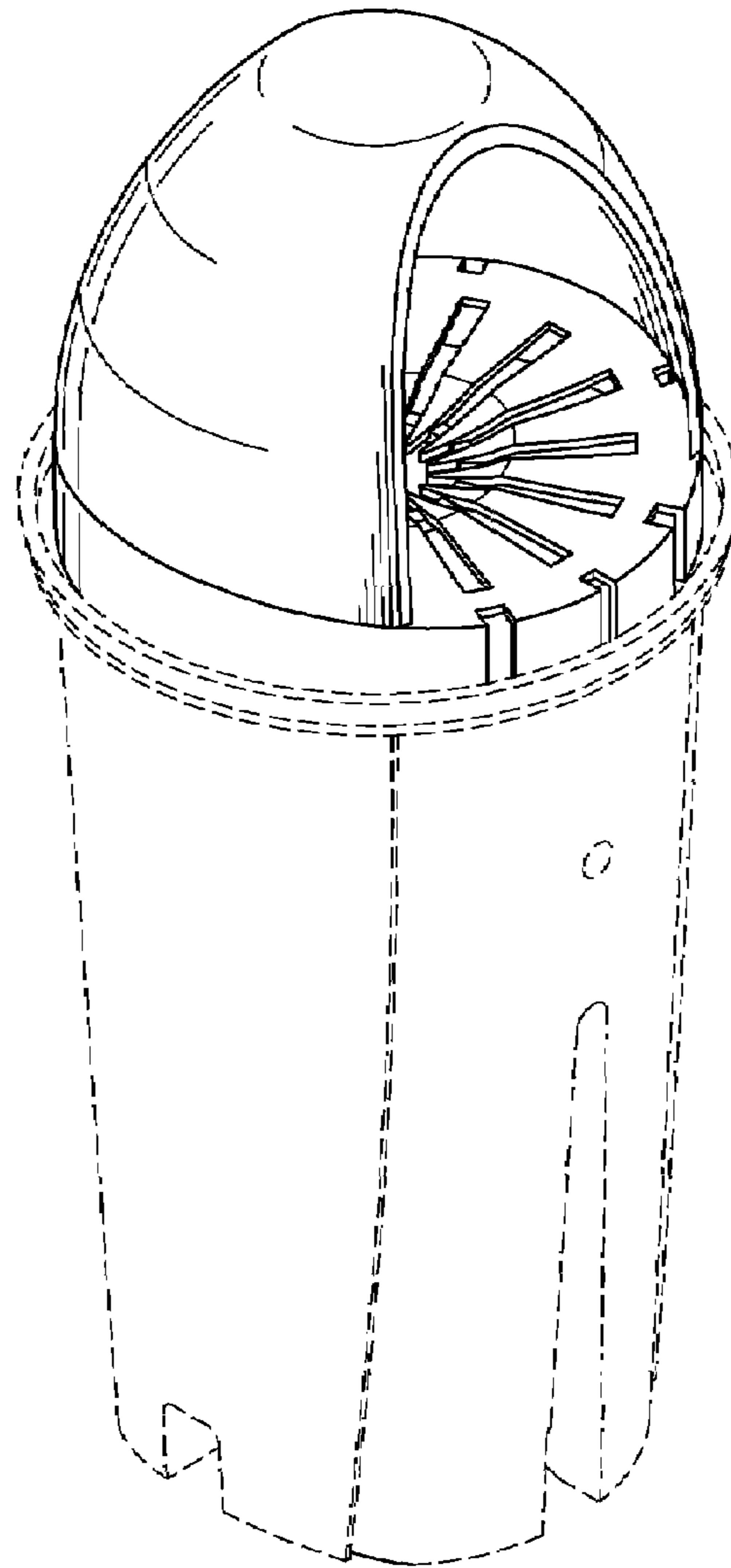


FIG. -1

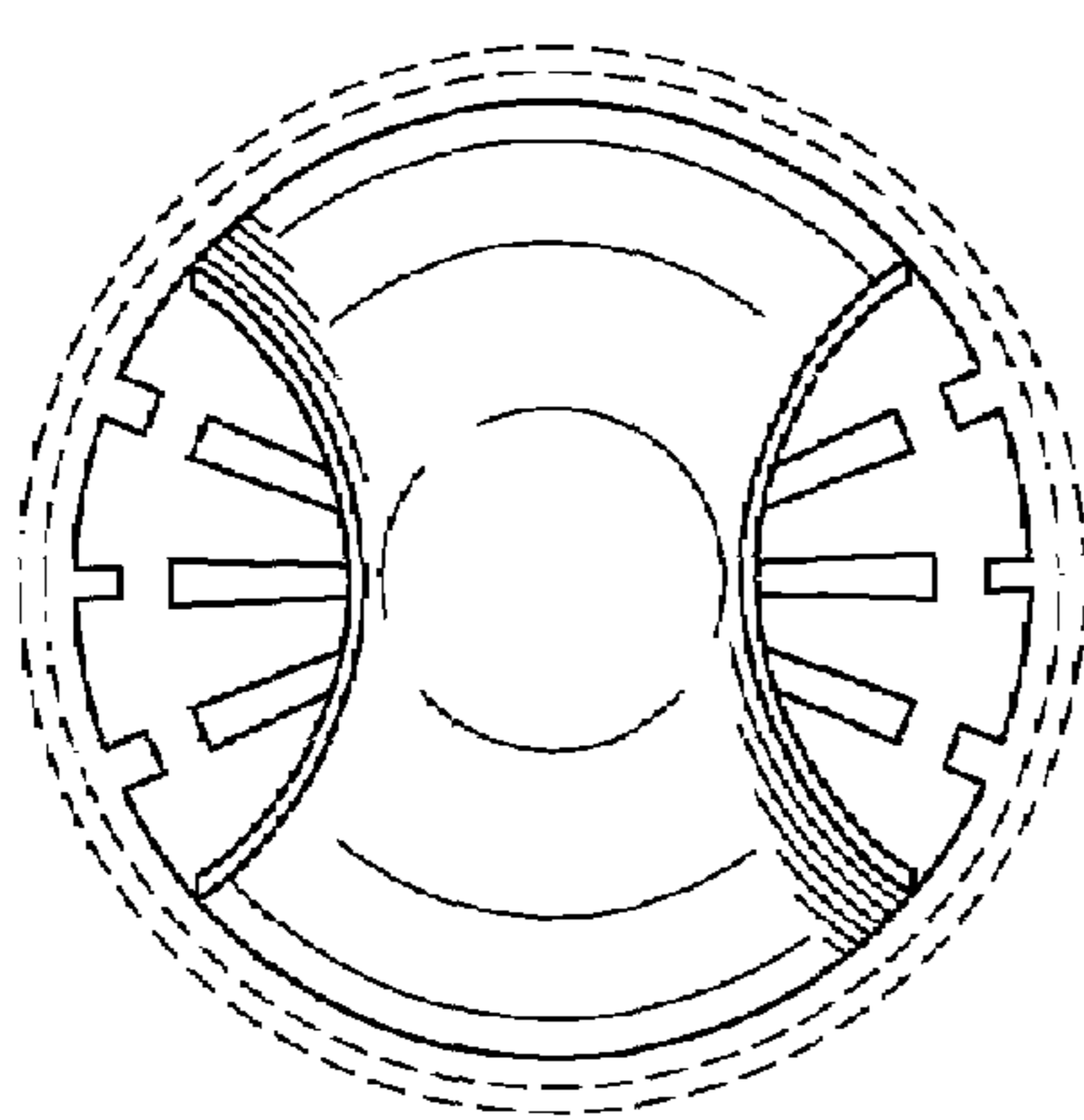


FIG. -2

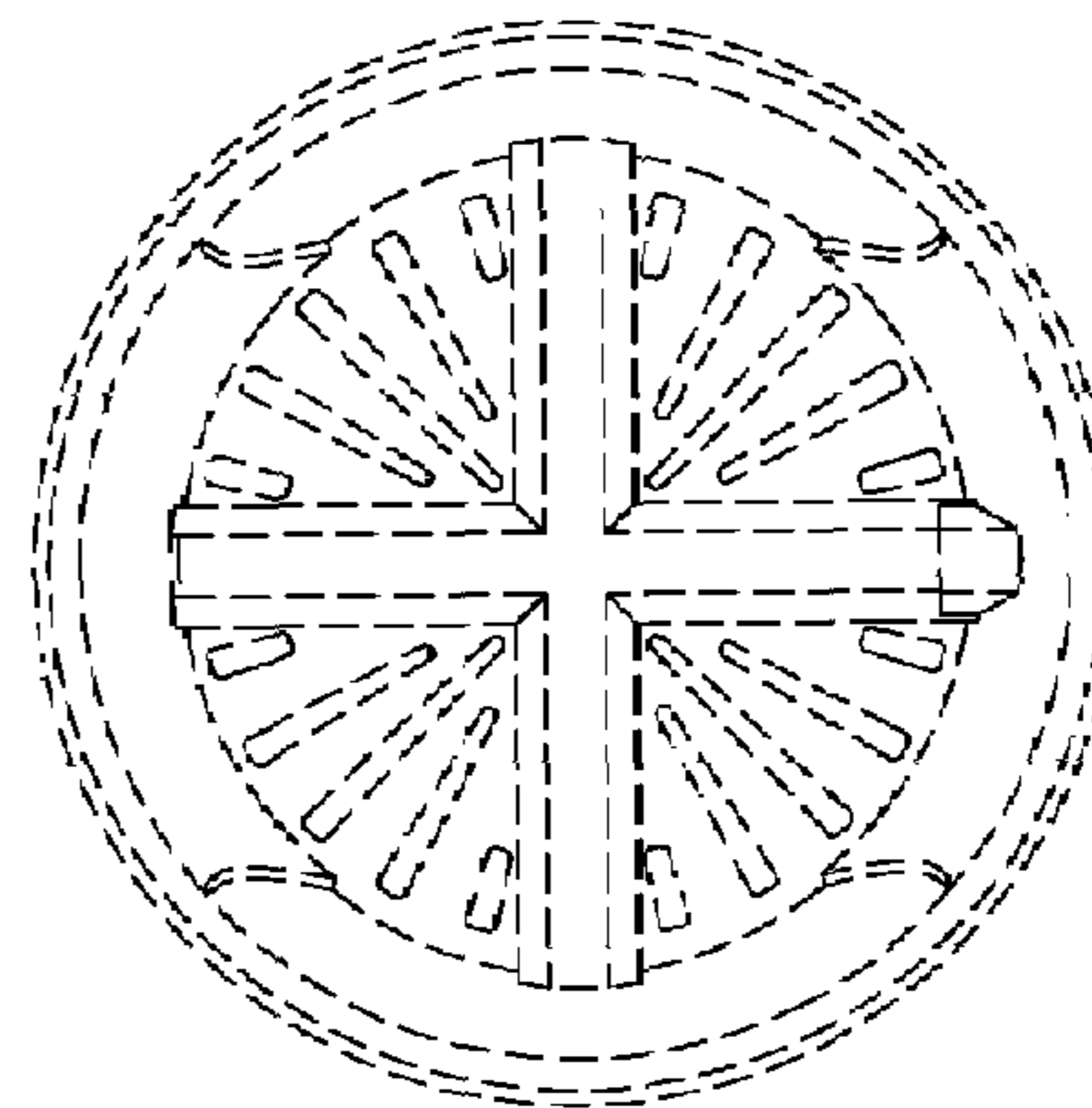


FIG. -3

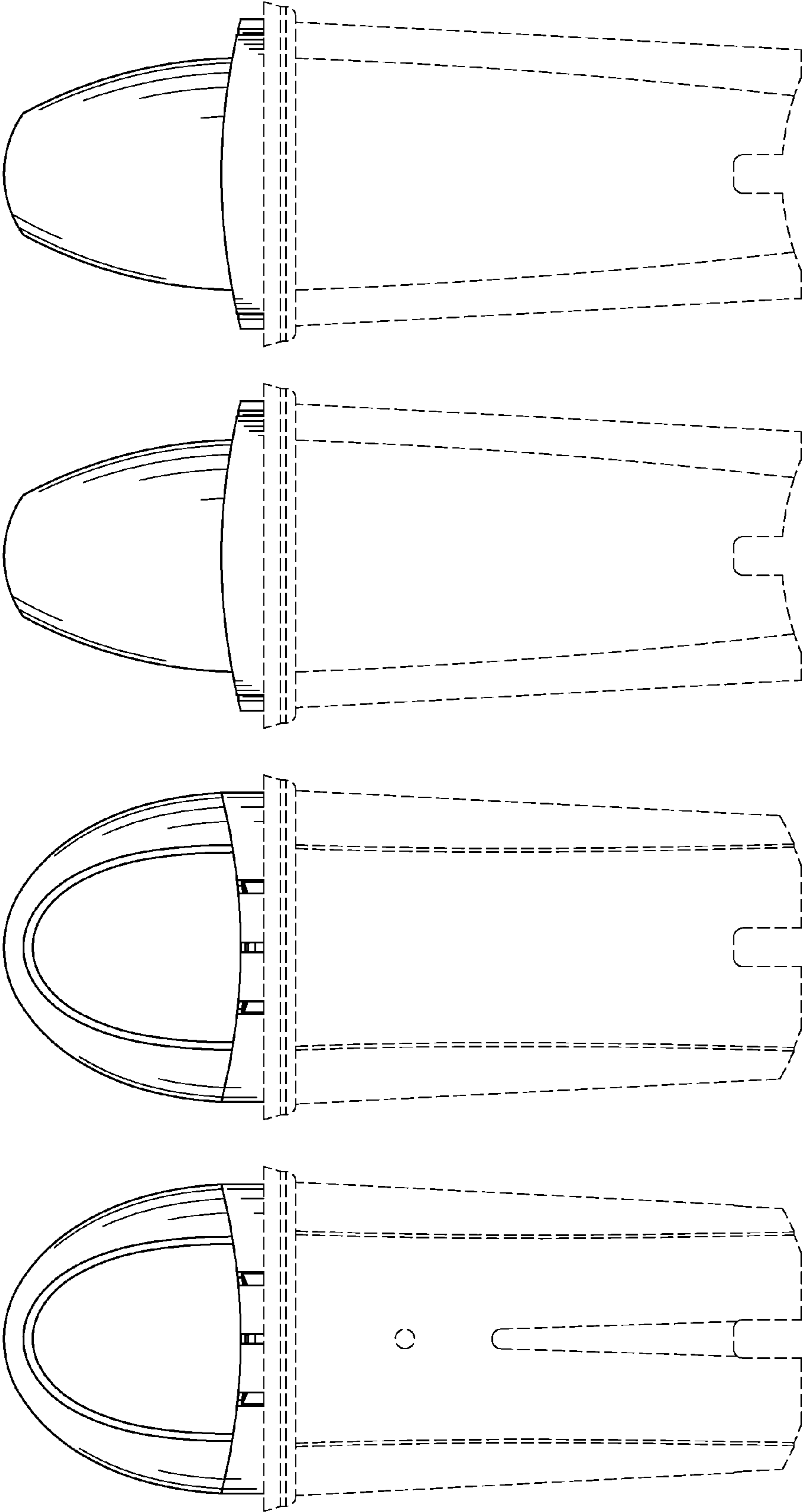


FIG. -4 **FIG. -5** **FIG. -6** **FIG. -7**