



US00D590473S

(12) **United States Design Patent**  
**Fitzpatrick et al.**

(10) **Patent No.:** **US D590,473 S**

(45) **Date of Patent:** **\*\* Apr. 14, 2009**

(54) **FIREARM UPPER RECEIVER WITH RAIL  
HAND GUARD**

2001/0042334 A1\* 11/2001 Weichert et al. .... 42/105  
2004/0244258 A1\* 12/2004 O'Dwyer et al. .... 42/77

(75) Inventors: **Richard Fitzpatrick**, Longmont, CO  
(US); **Michael T Mayberry**, Denver, CO  
(US); **Brian Nakayama**, Arvada, CO  
(US)

\* cited by examiner

*Primary Examiner*—Cathron C Brooks

*Assistant Examiner*—Melanie Levy

(74) *Attorney, Agent, or Firm*—Swanson & Bratschun,  
L.L.C.

(73) Assignee: **Magpul Industries Corporation**,  
Boulder, CO (US)

(57) **CLAIM**

(\*\*) Term: **14 Years**

The ornamental design for a firearm upper receiver with rail  
hand guard, as shown and described.

(21) Appl. No.: **29/302,199**

(22) Filed: **Jan. 11, 2008**

**DESCRIPTION**

(51) **LOC (9) Cl.** ..... **22-01**

FIG. 1 is a left side perspective view of a firearm upper  
receiver with rail hand guard showing our new design;

(52) **U.S. Cl.** ..... **D22/103**

FIG. 2 is a right side perspective view of the firearm upper  
receiver of FIG. 1;

(58) **Field of Classification Search** ..... D22/100,  
D22/101, 103, 108; D21/572, 573; 42/51,  
42/71.01, 75.01, 75.02, 90, 7, 16; 362/110;  
124/66, 67, 74; 89/40.06, 37.04, 33.04

FIG. 3 is a left side elevation view of the firearm upper  
receiver of FIG. 1;

See application file for complete search history.

FIG. 4 is a right side elevation view of the firearm upper  
receiver of FIG. 1;

(56) **References Cited**

FIG. 5 is a top plan view of the firearm upper receiver of FIG.  
1;

**U.S. PATENT DOCUMENTS**

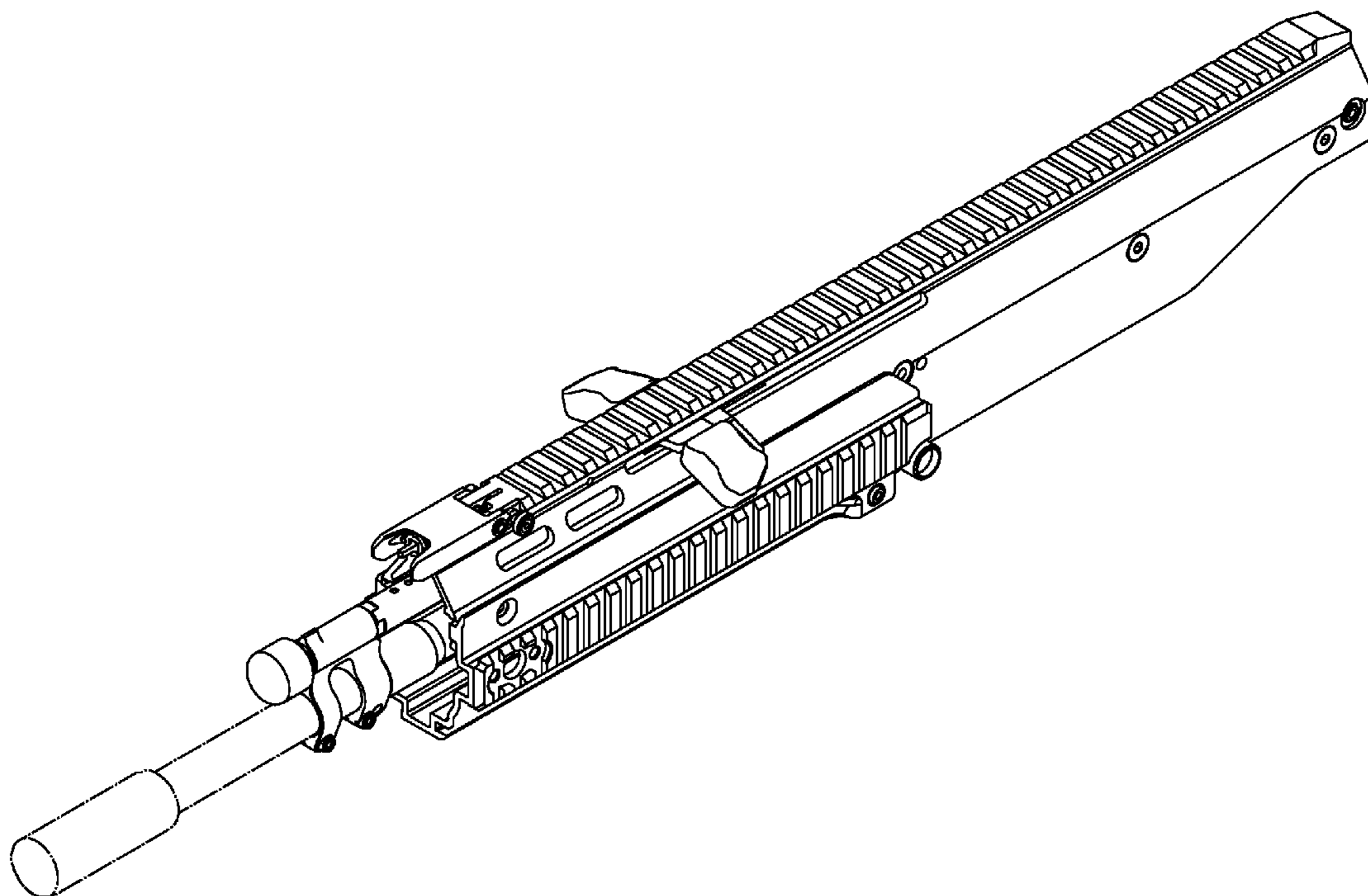
3,939,589	A *	2/1976	Tellie	.....	42/71.01
5,343,650	A *	9/1994	Swan	.....	42/75.01
5,900,577	A *	5/1999	Robinson et al.	.....	89/191.01
D512,117	S *	11/2005	Murello et al.	.....	D22/103
D516,660	S *	3/2006	Murello et al.	.....	D22/100
D517,152	S *	3/2006	Murello et al.	.....	D22/103
D517,637	S *	3/2006	Murello et al.	.....	D22/100
D551,313	S *	9/2007	Saur et al.	.....	D22/103
7,316,091	B1 *	1/2008	Desomma	.....	42/16

FIG. 6 is a bottom plan view of the firearm upper receiver of  
FIG. 1;

FIG. 7 is a front elevation view of the firearm upper receiver  
of FIG. 1; and,

FIG. 8 is a rear elevation view of the firearm upper receiver of  
FIG. 1.

**1 Claim, 5 Drawing Sheets**



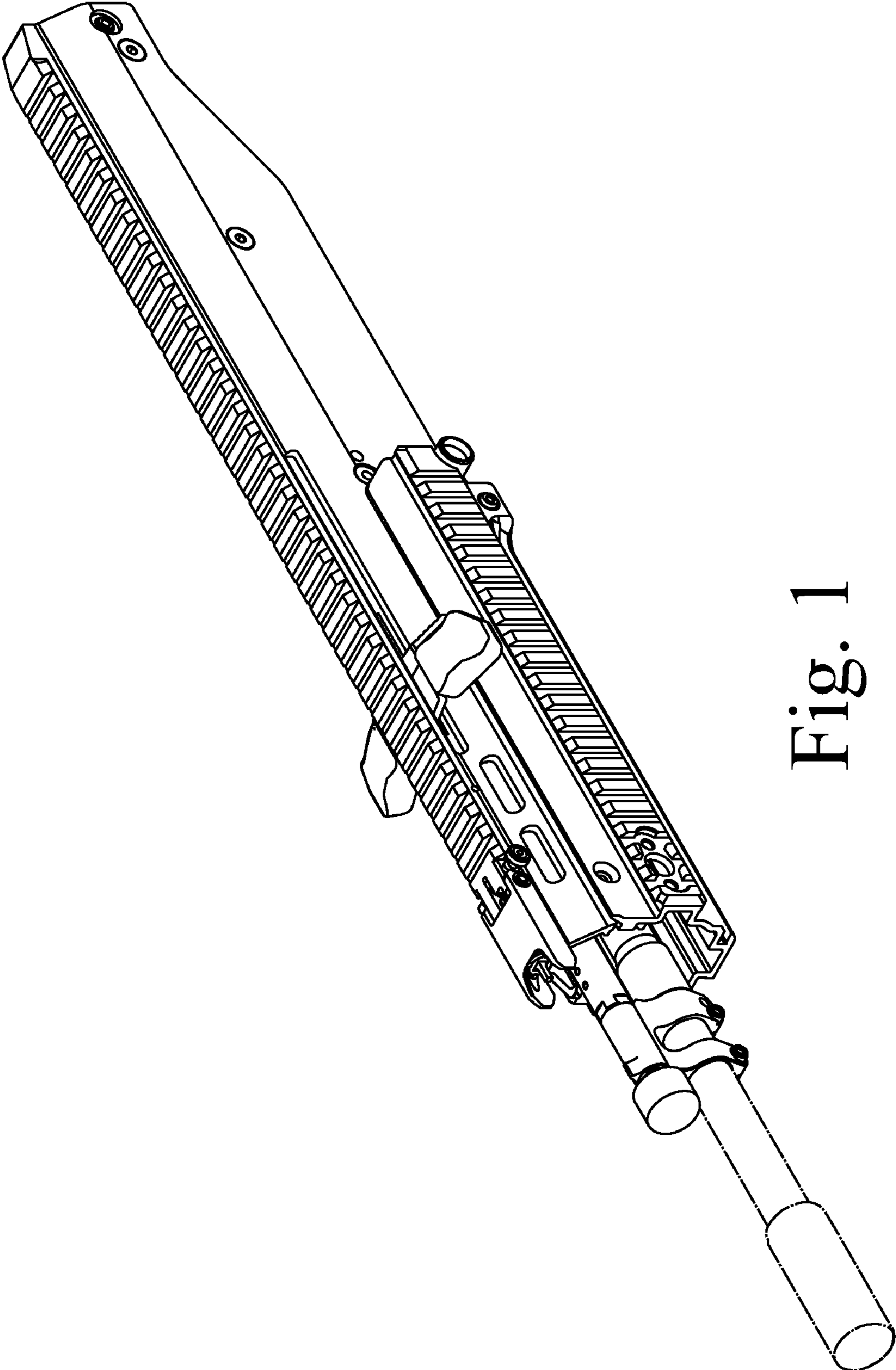


Fig. 1

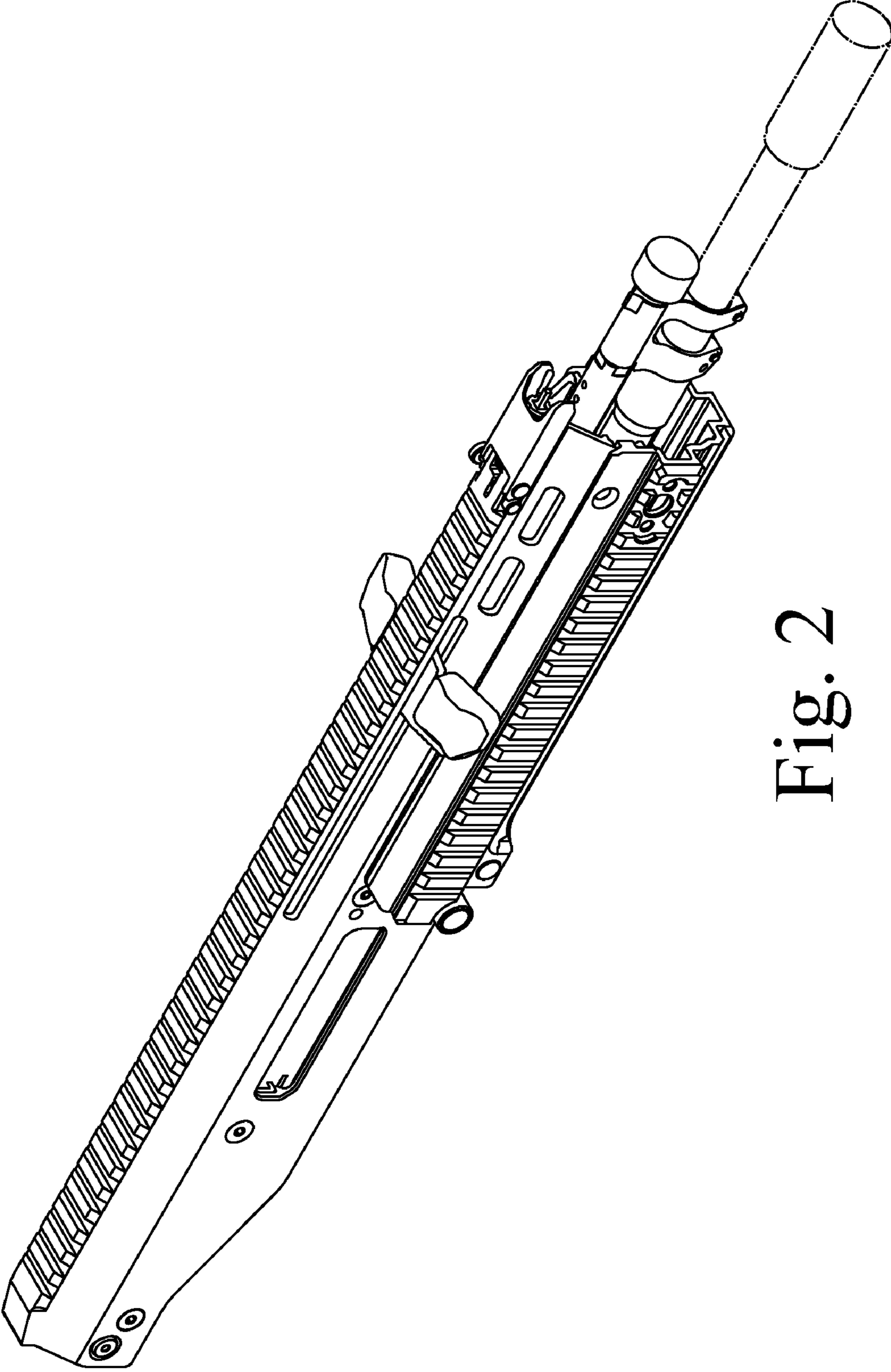


Fig. 2

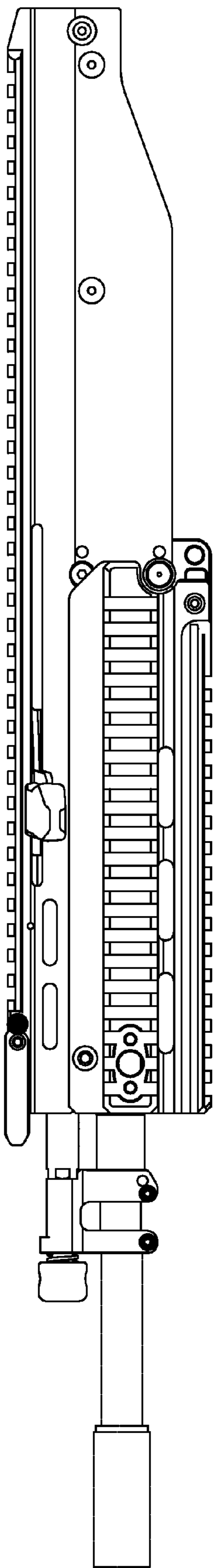


Fig. 3

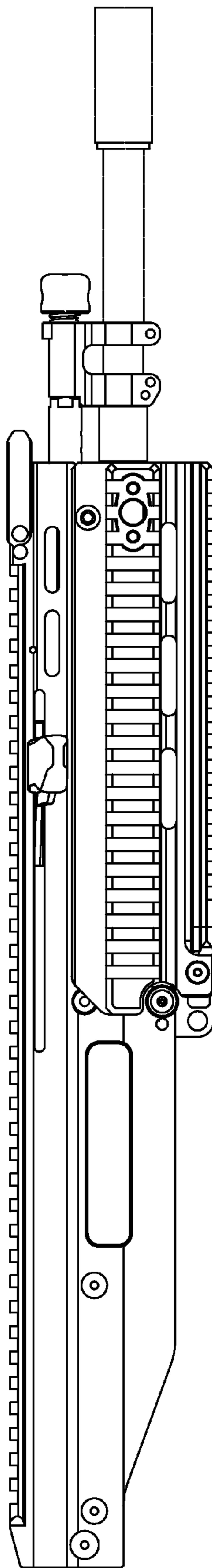


Fig. 4

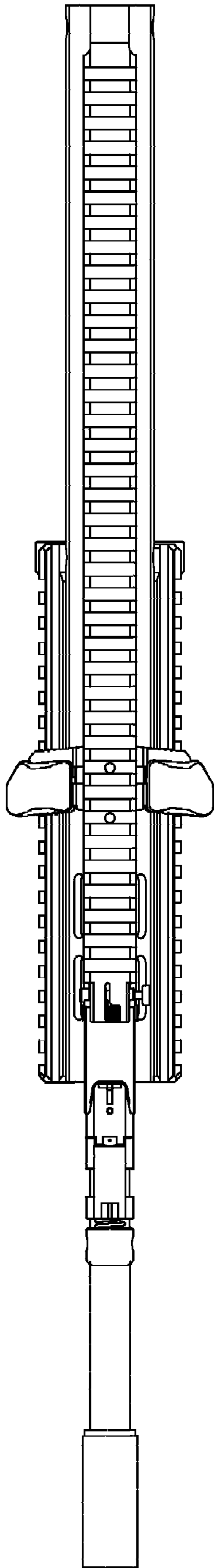


Fig. 5

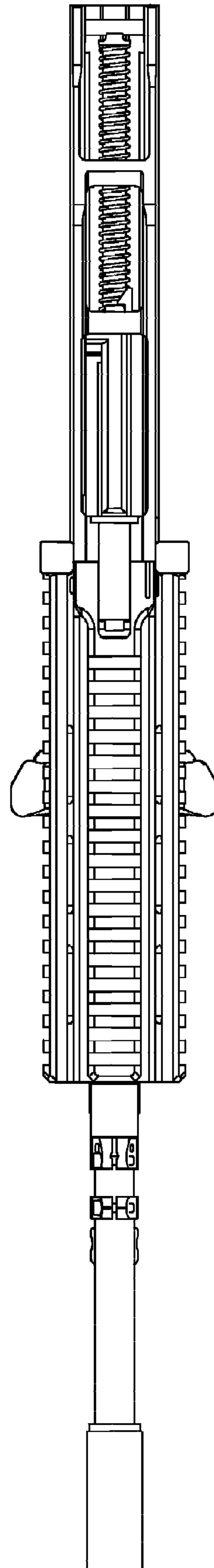


Fig. 6

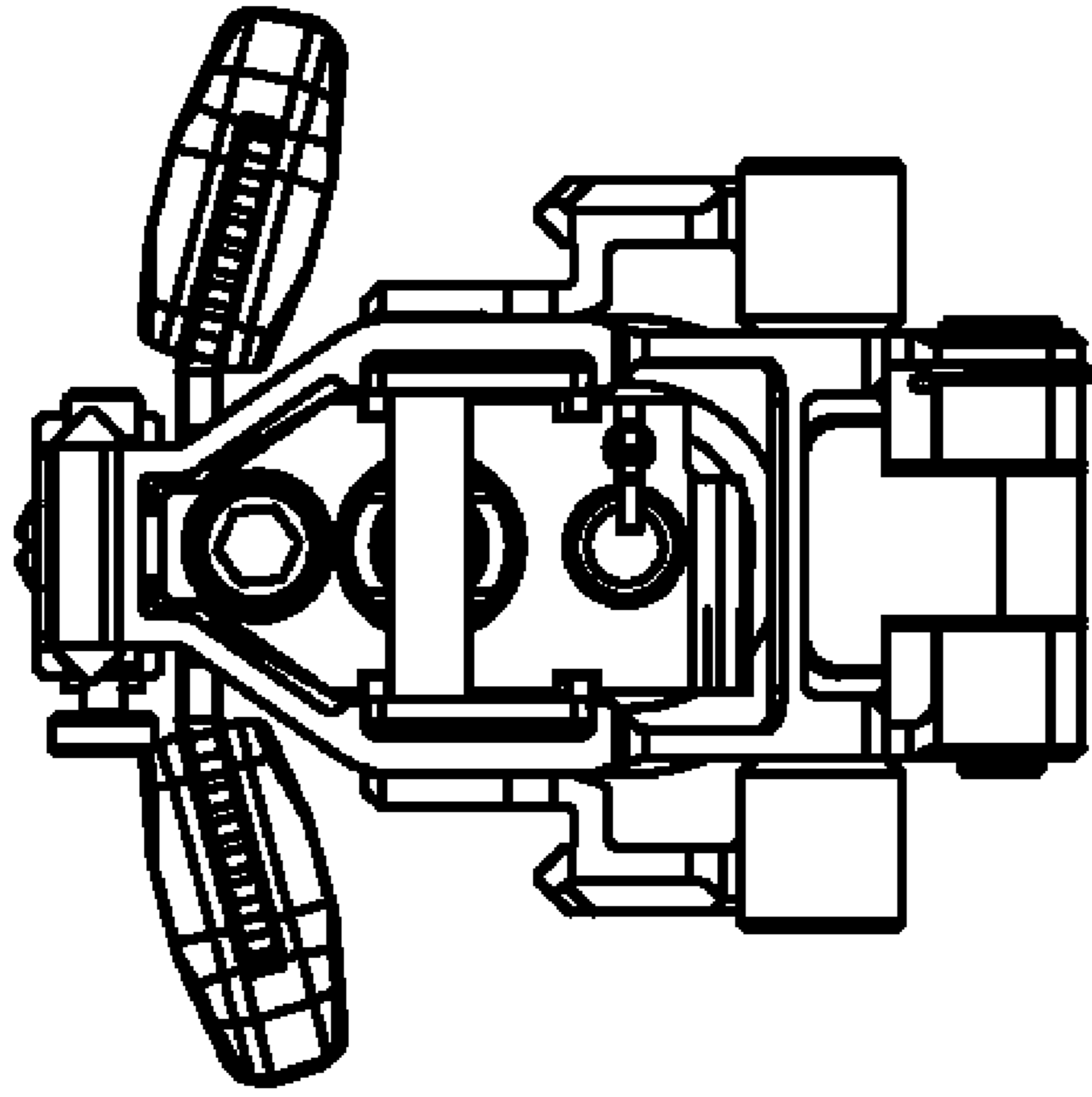


Fig. 8

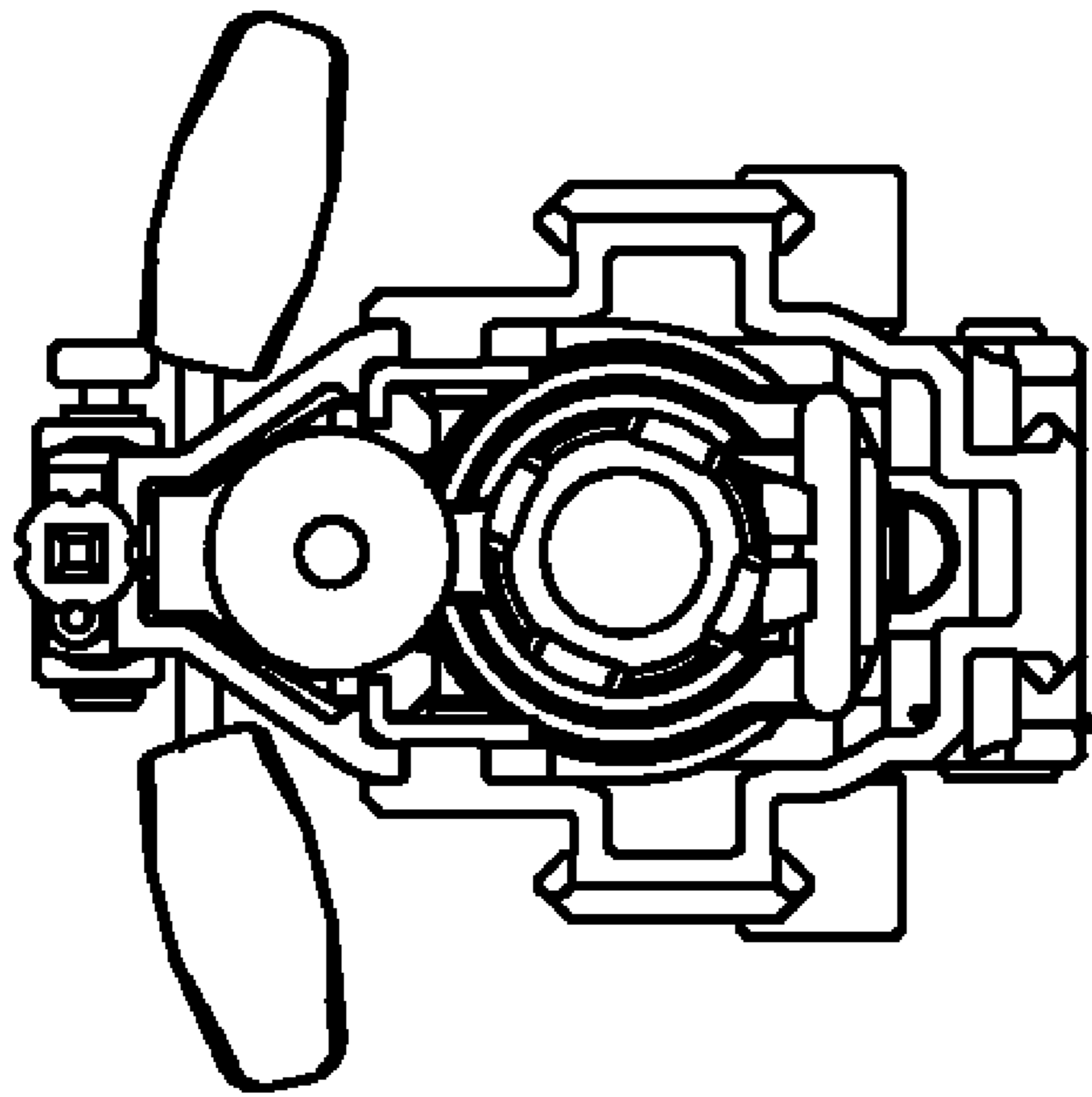


Fig. 7