



US00D590463S

(12) **United States Design Patent**
Hettinger et al.

(10) **Patent No.:** **US D590,463 S**

(45) **Date of Patent:** **** *Apr. 14, 2009**

(54) **PUTTER HEAD**

(75) Inventors: **Ronald K. Hettinger**, Oceanside, CA
(US); **Thomas R. Hilton**, Cardiff, CA
(US); **Augustin W. Rollinson**, Carlsbad,
CA (US)

(73) Assignee: **Gallaway Golf Company**, Carlsbad, CA
(US)

(*) Notice: This patent is subject to a terminal disclaimer.

(**) Term: **14 Years**

(21) Appl. No.: **29/322,143**

(22) Filed: **Jul. 30, 2008**

(51) **LOC (9) Cl.** **21-02**

(52) **U.S. Cl.** **D21/743**

(58) **Field of Classification Search** D21/736-746;
473/324-331, 340-341

See application file for complete search history.

(56) **References Cited**

U.S. PATENT DOCUMENTS

D396,083 S	*	7/1998	Sheets	D21/742
D399,911 S	*	10/1998	Nicolette et al.	D21/736
D400,610 S	*	11/1998	Cameron et al.	D21/742
D400,942 S	*	11/1998	Billings	D21/742

D428,457 S	*	7/2000	Rollinson et al.	D21/743
D445,860 S	*	7/2001	Mills	D21/736
D447,197 S	*	8/2001	Mills	D21/736
D455,805 S	*	4/2002	Mills	D21/736
D474,253 S	*	5/2003	Mills	D21/736
D474,520 S	*	5/2003	Mills	D21/744
D532,468 S	*	11/2006	Hettinger	D21/743

* cited by examiner

Primary Examiner—Mitchell I Siegel

(74) *Attorney, Agent, or Firm*—Michael A. Catania; Elaine H. Lo

(57) **CLAIM**

The ornamental design for a putter head, as shown and described.

DESCRIPTION

FIG. 1 is a top perspective view of a putter head as claimed herein;

FIG. 2 is a bottom plan view thereof;

FIG. 3 is a top plan view thereof;

FIG. 4 is a front elevational view thereof;

FIG. 5 is a rear elevational view thereof;

FIG. 6 is a toe elevational view thereof; and,

FIG. 7 is a heel elevational view thereof.

1 Claim, 2 Drawing Sheets

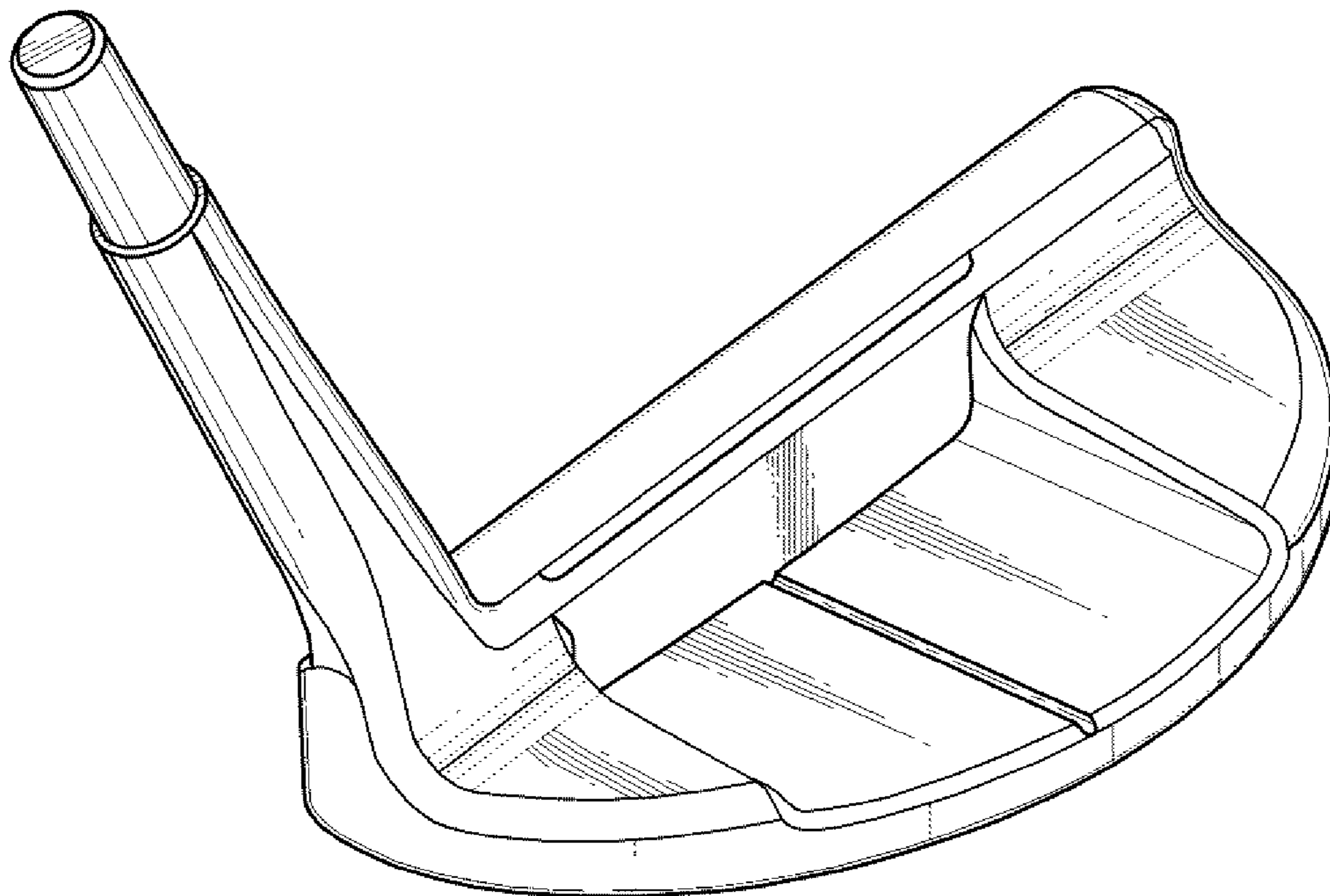


FIG. 1

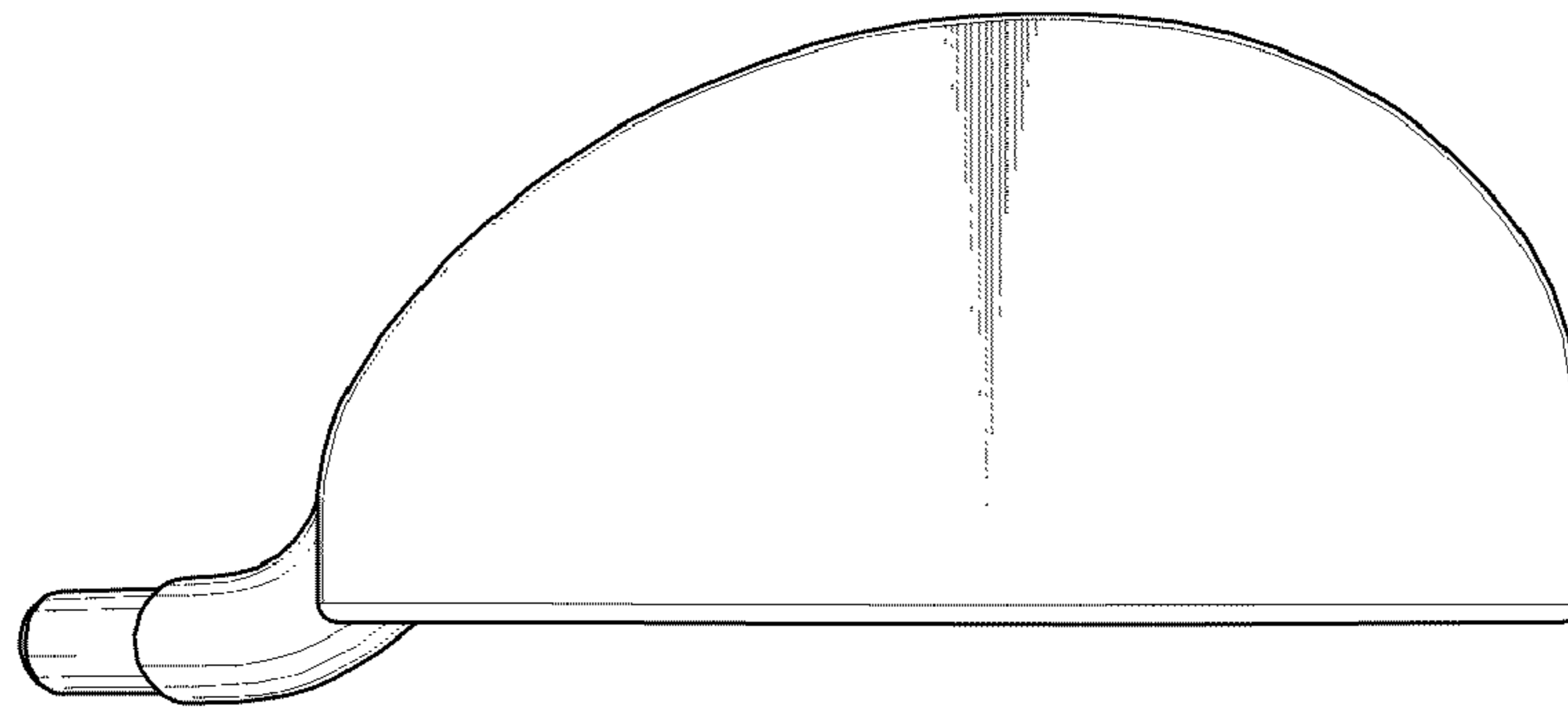
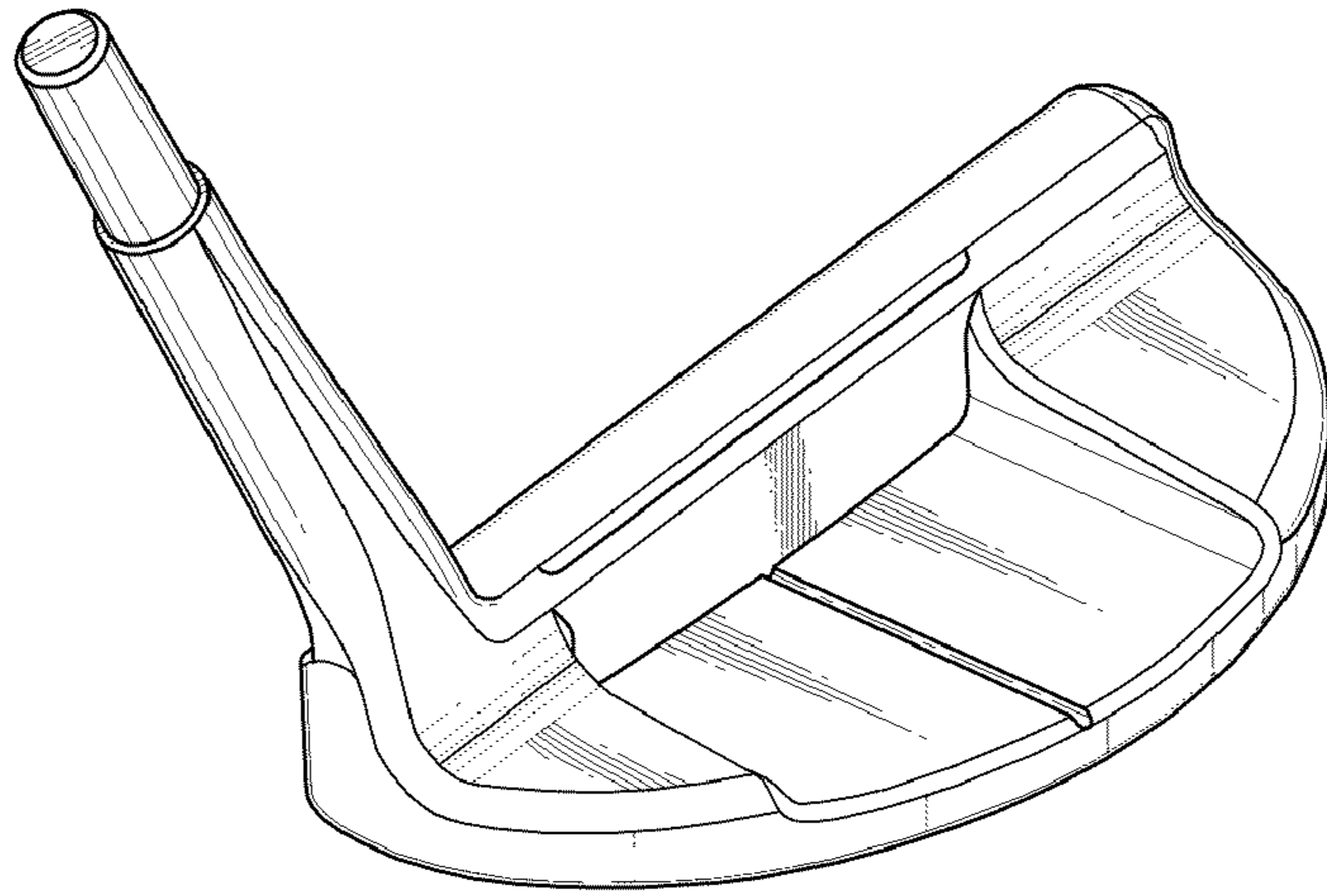


FIG. 2

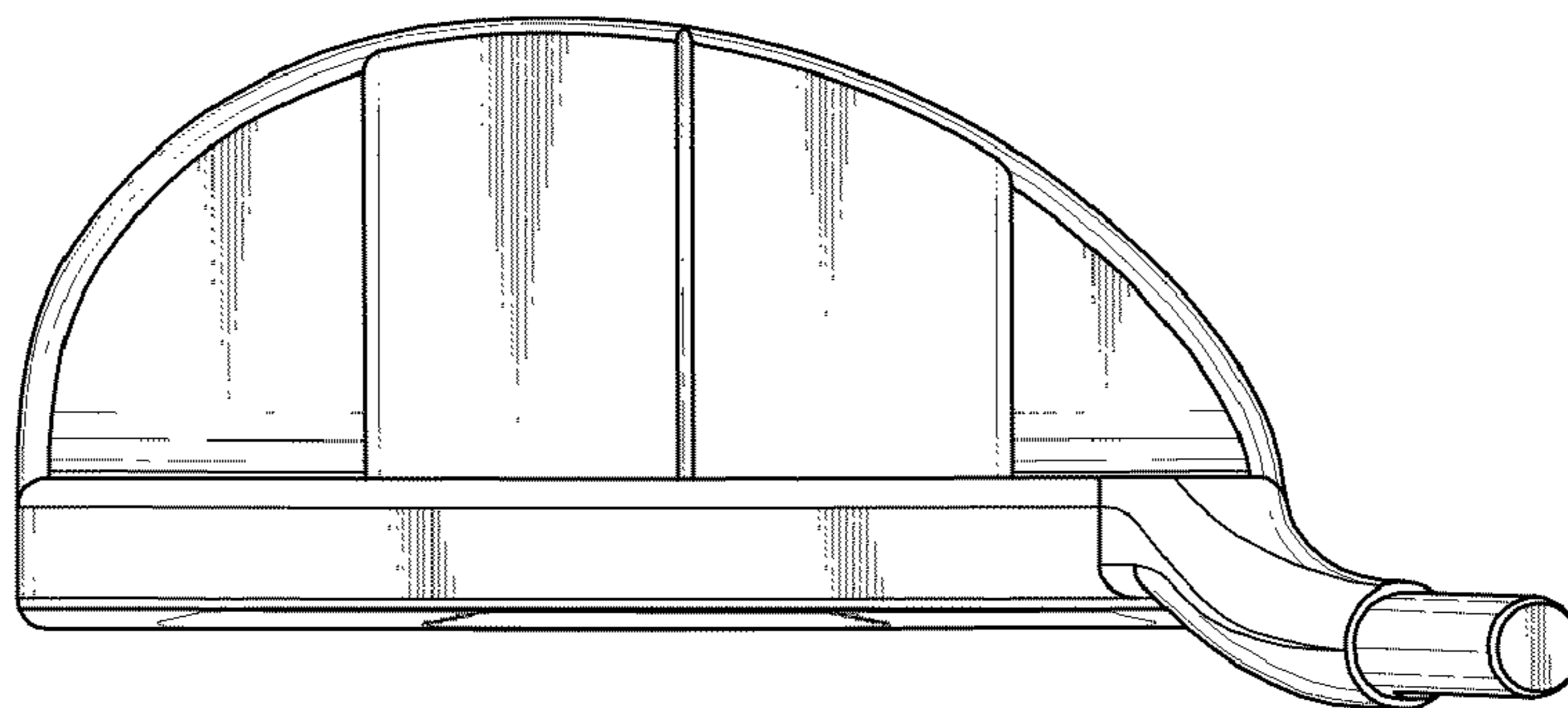


FIG. 3

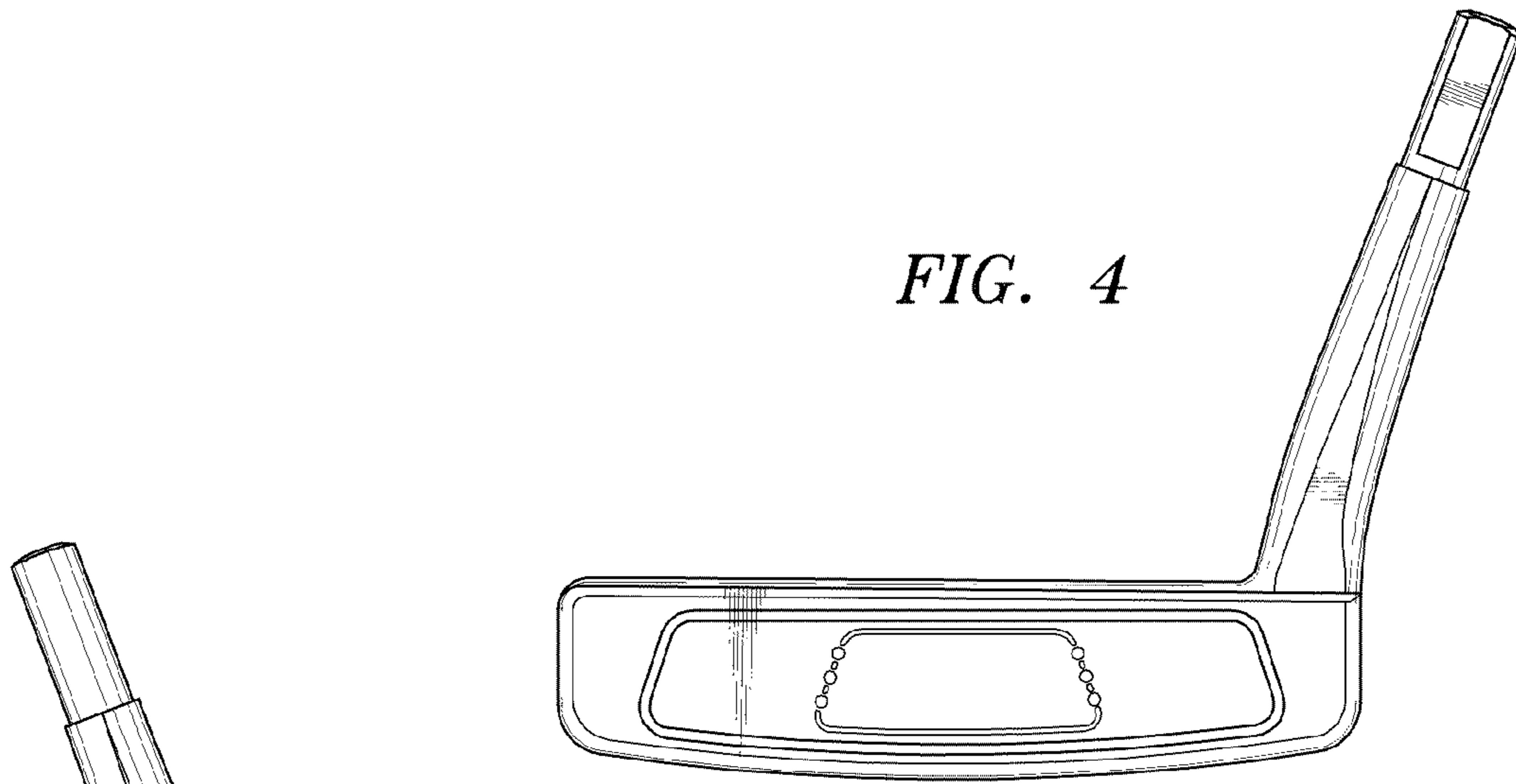


FIG. 4

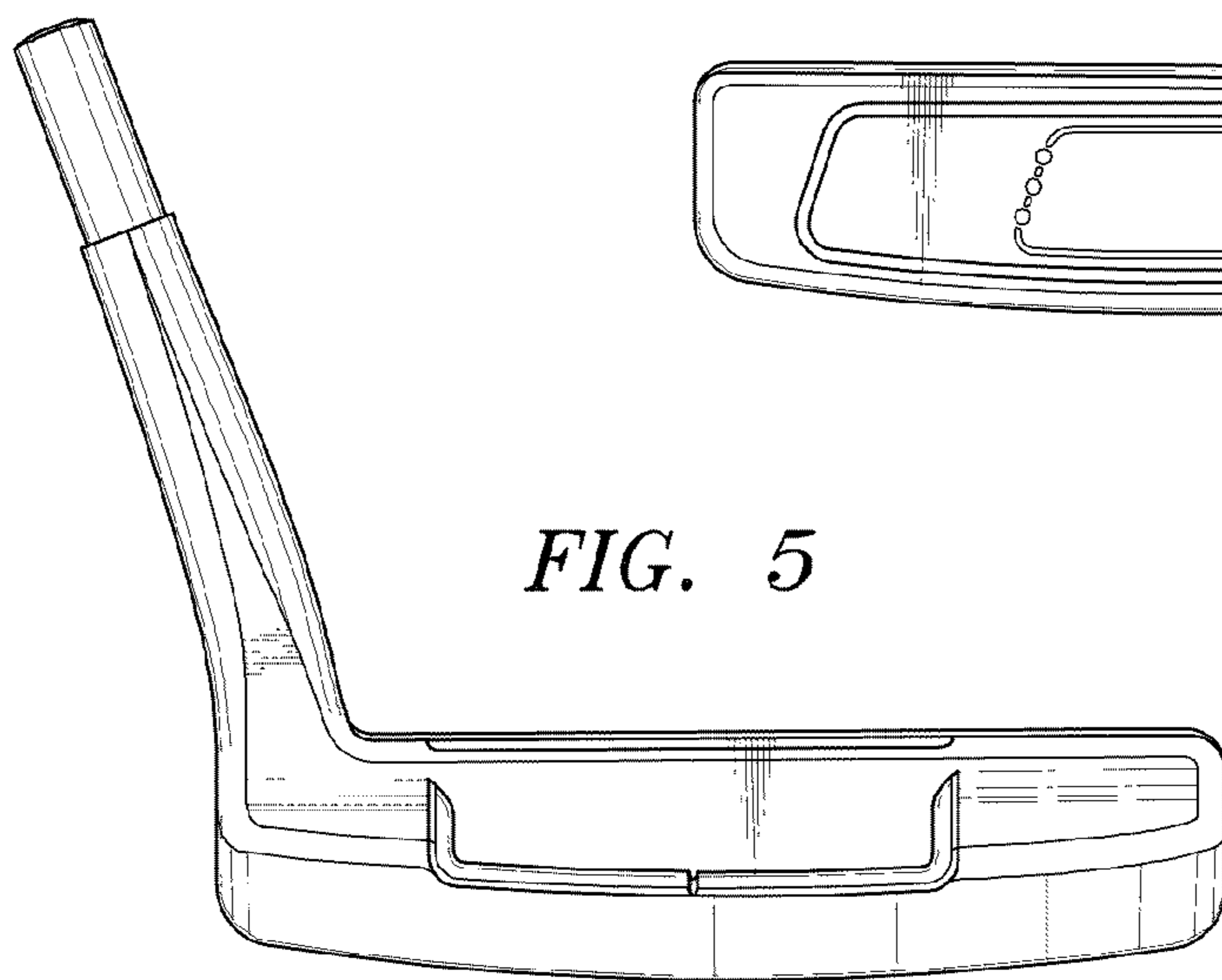


FIG. 5

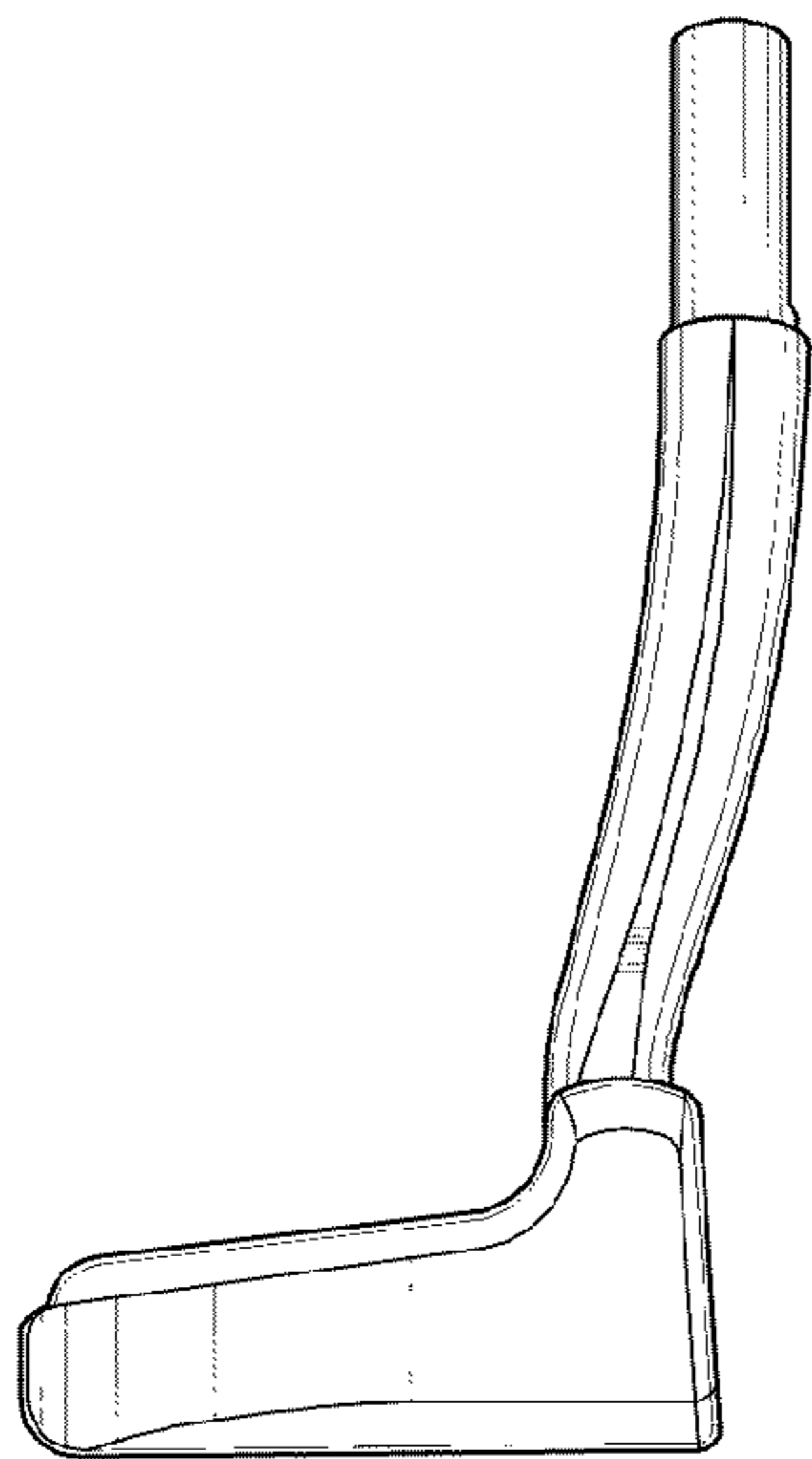


FIG. 6

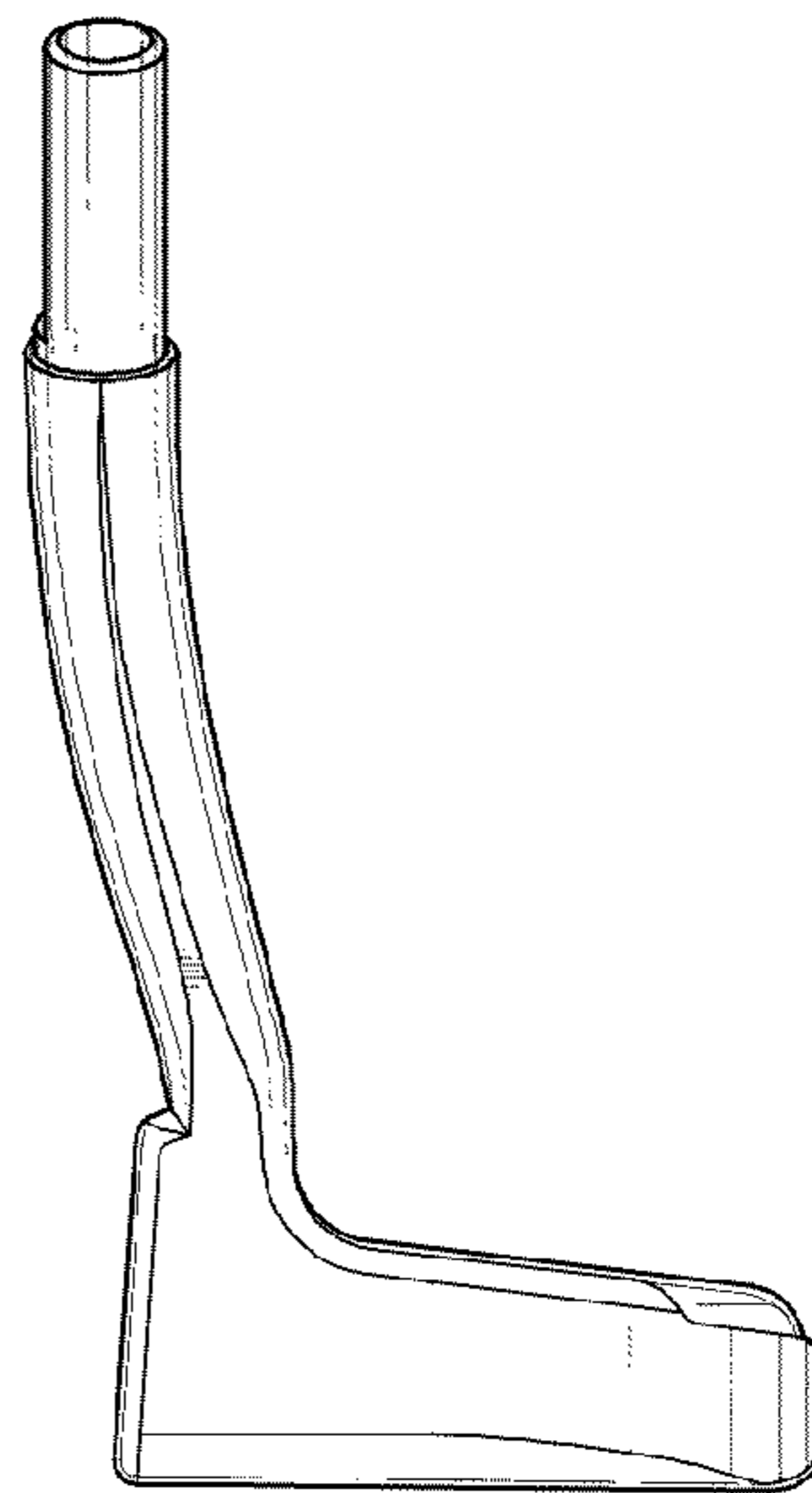


FIG. 7