



US00D590462S

(12) **United States Design Patent**
Hettinger et al.

(10) **Patent No.:** **US D590,462 S**

(45) **Date of Patent:** **** Apr. 14, 2009**

(54) **PUTTER HEAD**

(75) Inventors: **Ronald K. Hettinger**, Oceanside, CA
(US); **Augustin W. Rollinson**, Carlsbad,
CA (US)

(73) Assignee: **Callaway Golf Company**, Carlsbad, CA
(US)

(**) Term: **14 Years**

(21) Appl. No.: **29/321,938**

(22) Filed: **Jul. 25, 2008**

(51) **LOC (9) Cl.** **21-02**

(52) **U.S. Cl.** **D21/743**

(58) **Field of Classification Search** D21/736-746;
473/324-331, 340-341
See application file for complete search history.

(56) **References Cited**

U.S. PATENT DOCUMENTS

D207,227 S *	3/1967	Solheim	D21/739
D389,207 S *	1/1998	Cameron	D21/742
D426,599 S *	6/2000	Morgan et al.	D21/736
D443,906 S *	6/2001	Hettinger et al.	D21/743
D449,085 S *	10/2001	Breier et al.	D21/744
D485,320 S *	1/2004	Breier et al.	D21/736
D498,276 S *	11/2004	Schweigert et al.	D21/743

D521,580 S *	5/2006	Burrows	D21/736
D535,712 S *	1/2007	Toroussian	D21/749
D548,294 S *	8/2007	Nguyen et al.	D21/736
D552,196 S *	10/2007	Hueber	D21/742
D583,886 S *	12/2008	Cameron	D21/743
D583,887 S *	12/2008	Cameron	D21/743

* cited by examiner

Primary Examiner—Mitchell I Siegel

(74) *Attorney, Agent, or Firm*—Michael A. Catania; Elaine H. Lo

(57) **CLAIM**

The ornamental design for a putter head, as shown and described.

DESCRIPTION

FIG. 1 is a top perspective view of a putter head as claimed herein;

FIG. 2 is a top plan view thereof;

FIG. 3 is a front elevational view thereof;

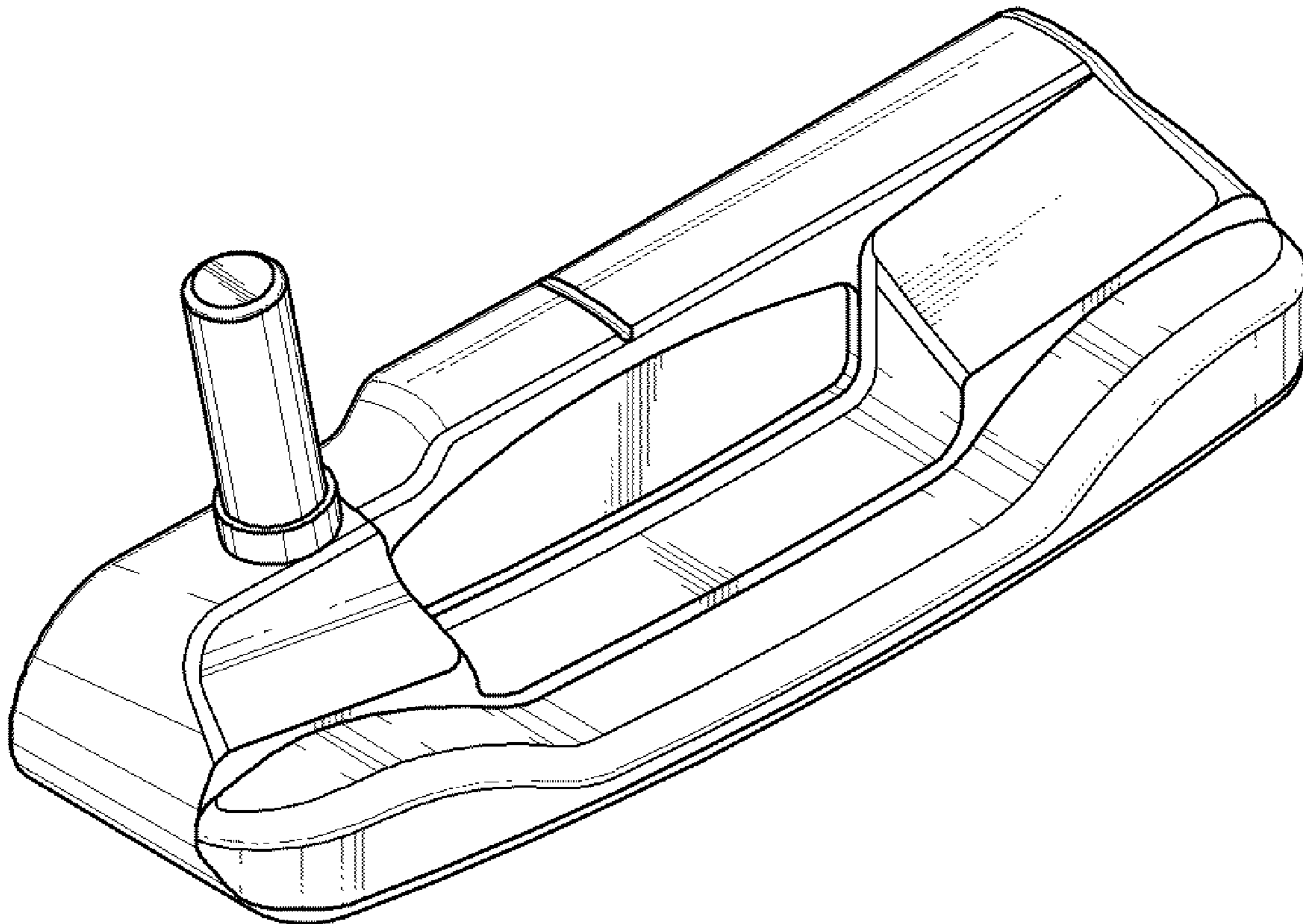
FIG. 4 is a rear elevational view thereof;

FIG. 5 is a bottom plan view thereof;

FIG. 6 is a toe elevational view thereof; and,

FIG. 7 is a heel elevational view thereof.

1 Claim, 2 Drawing Sheets



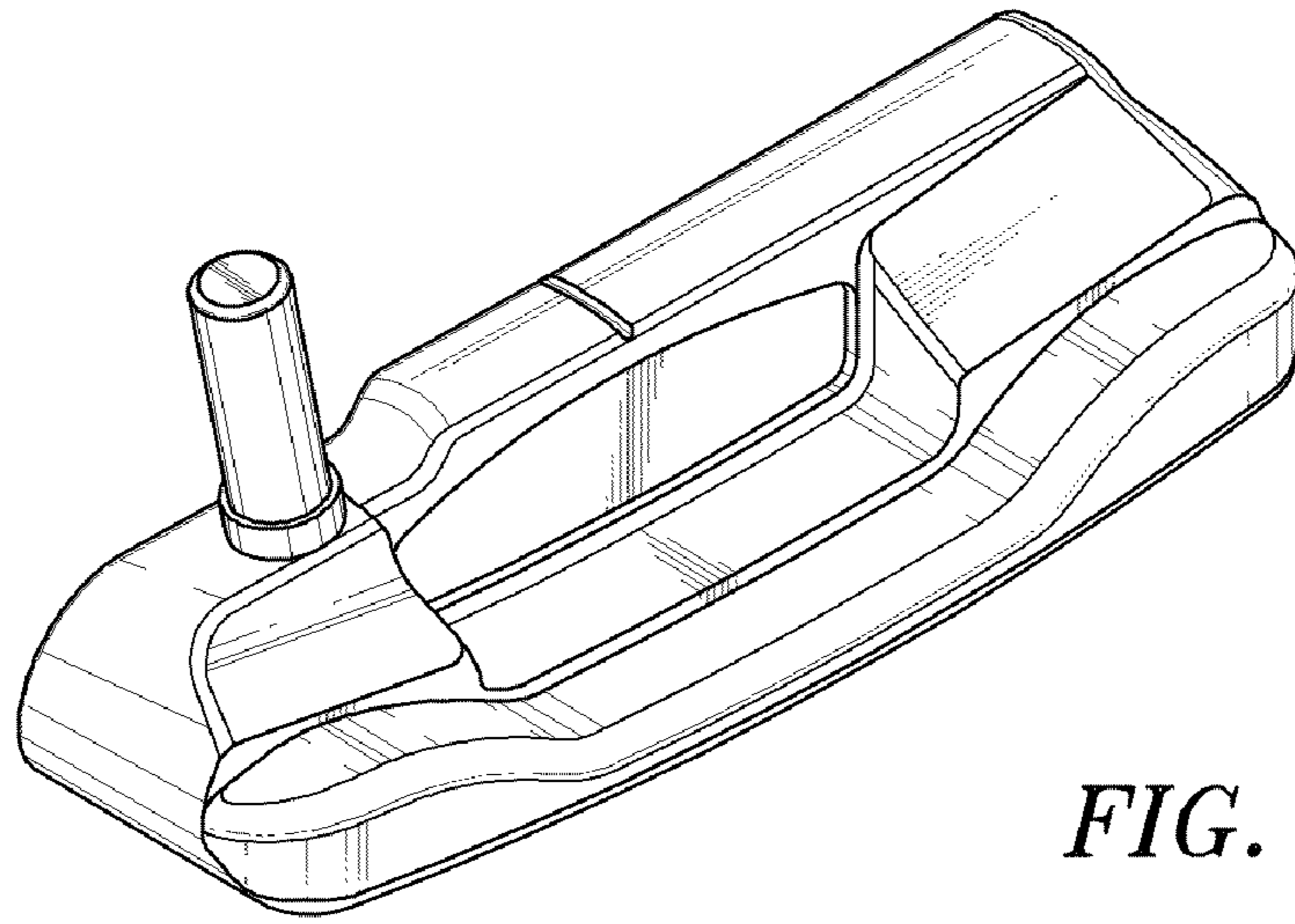


FIG. 1

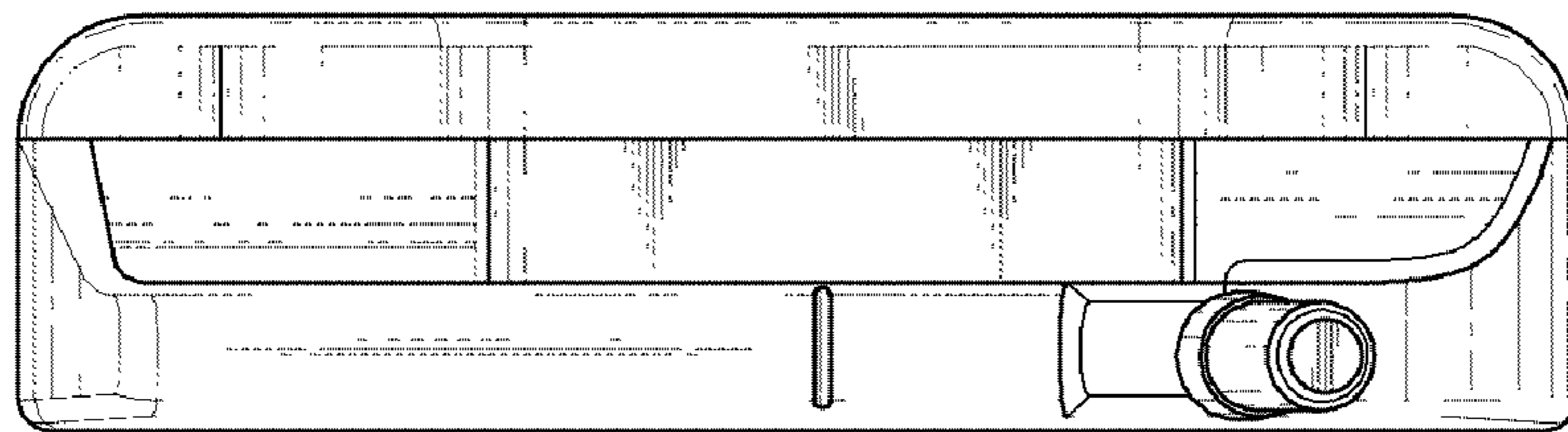


FIG. 2

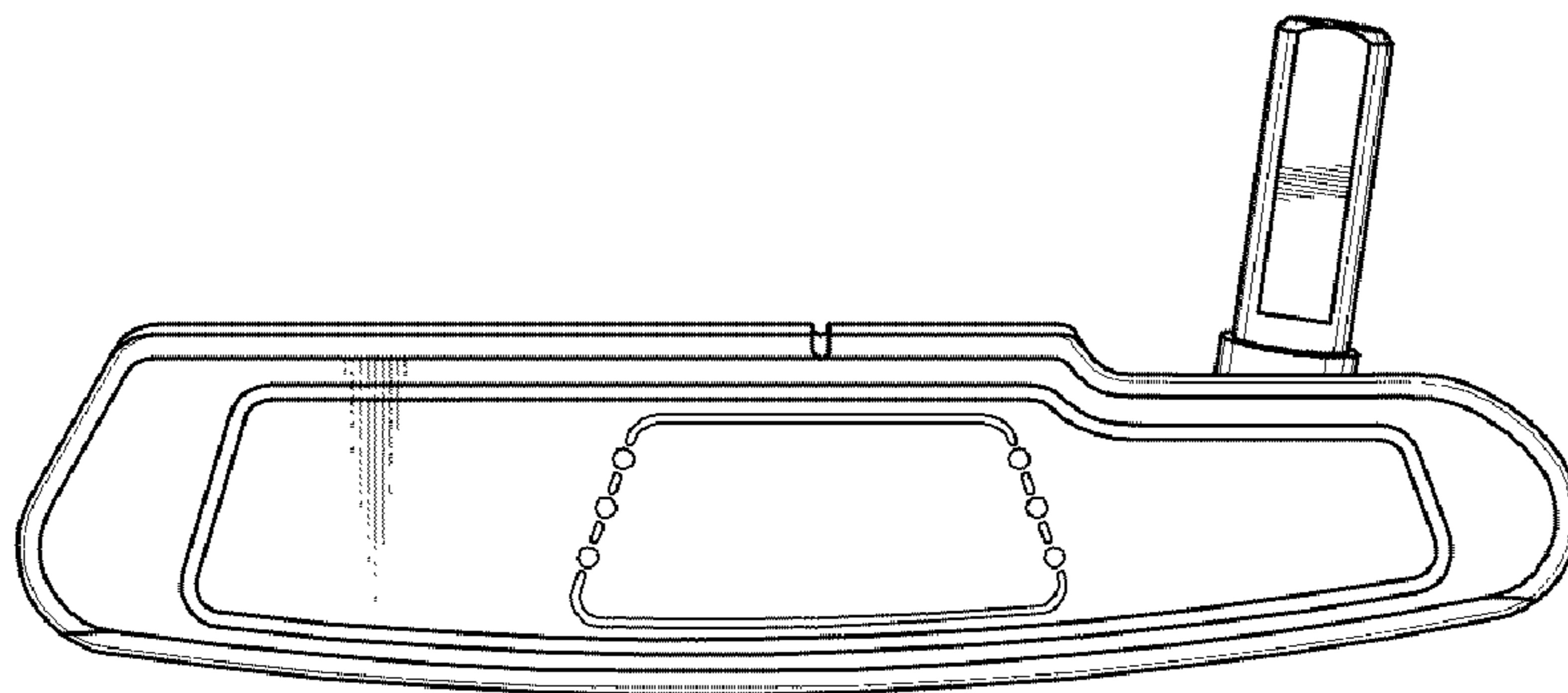


FIG. 3

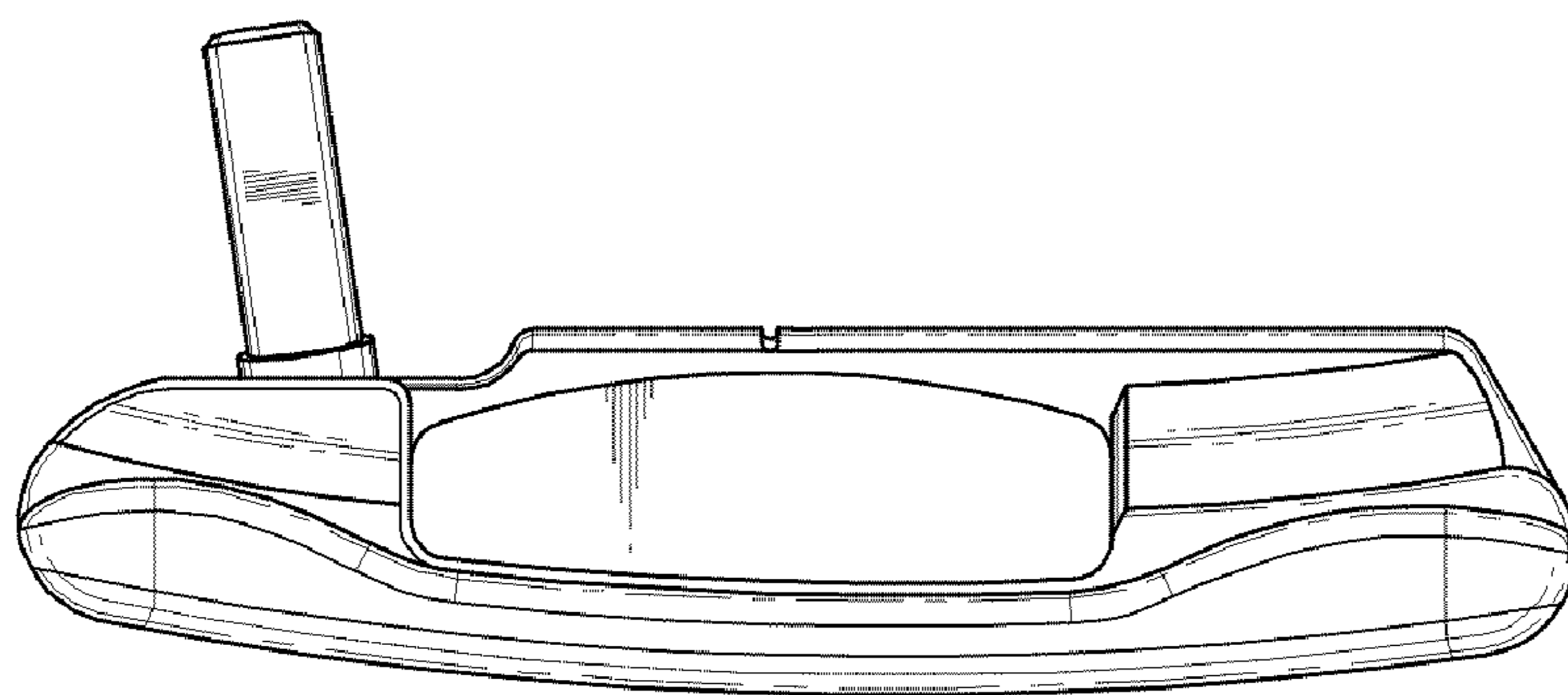


FIG. 4

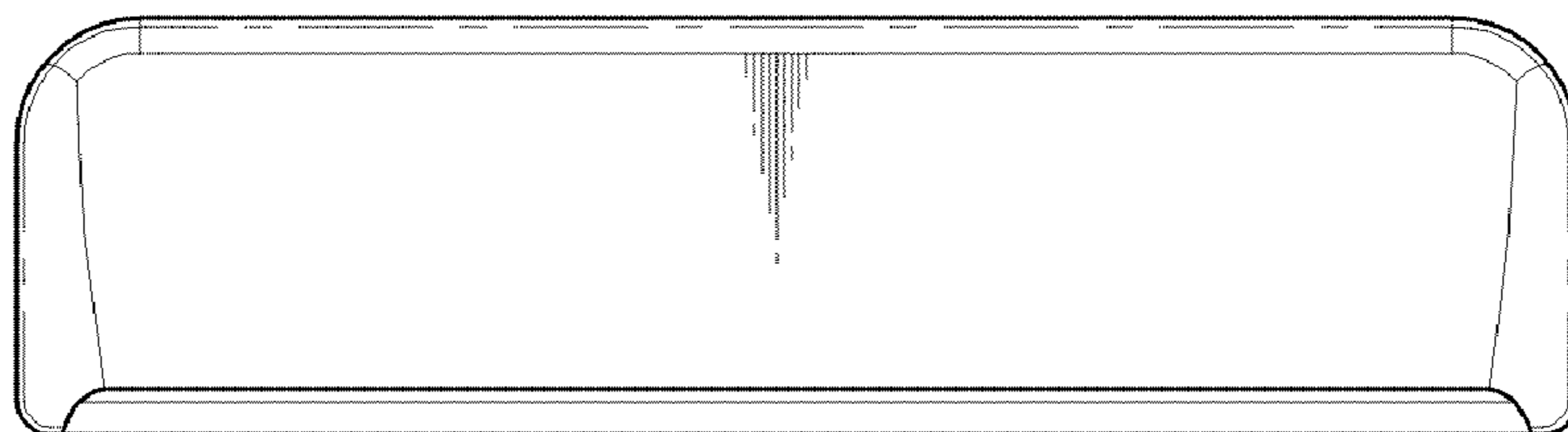


FIG. 5

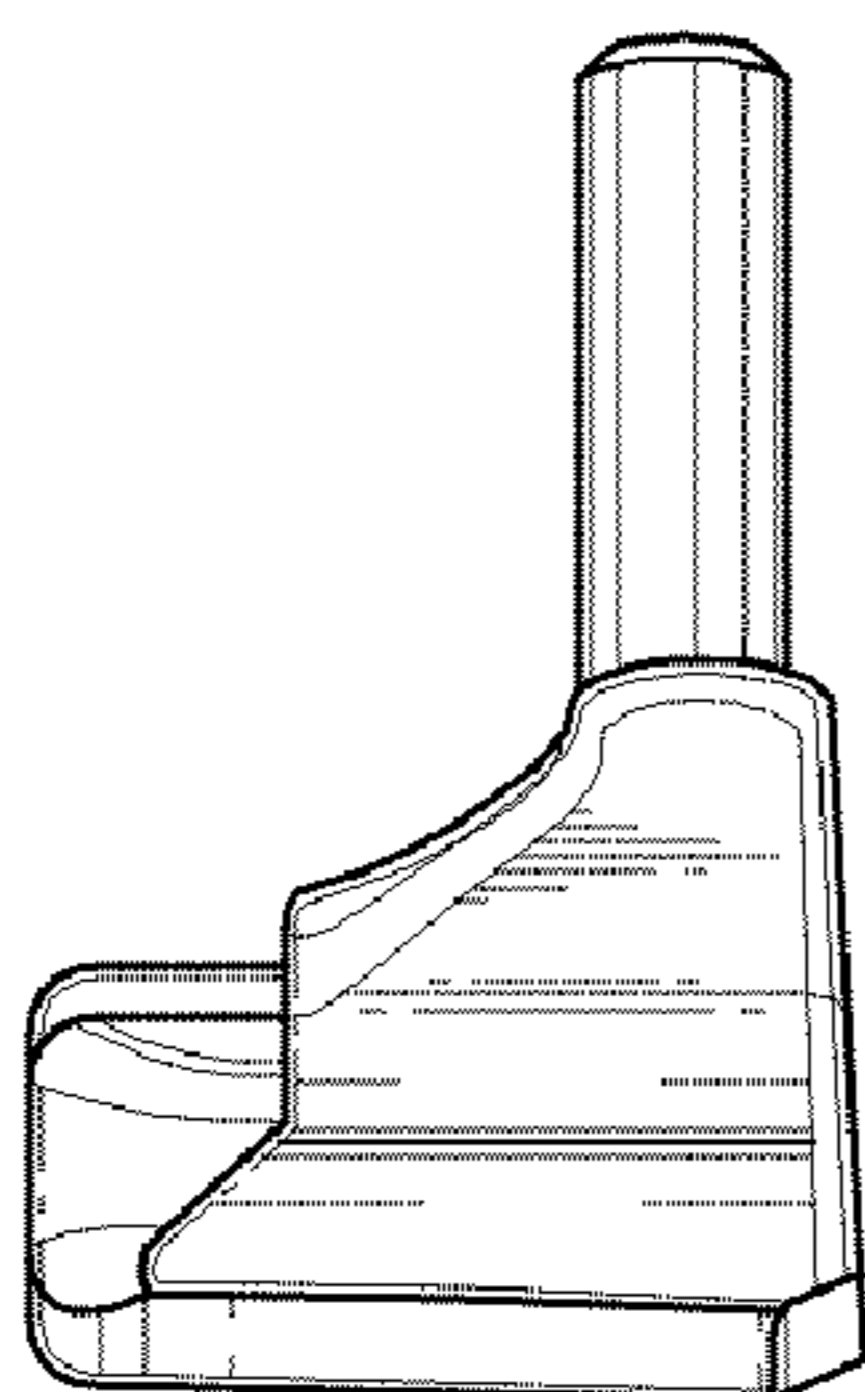


FIG. 6

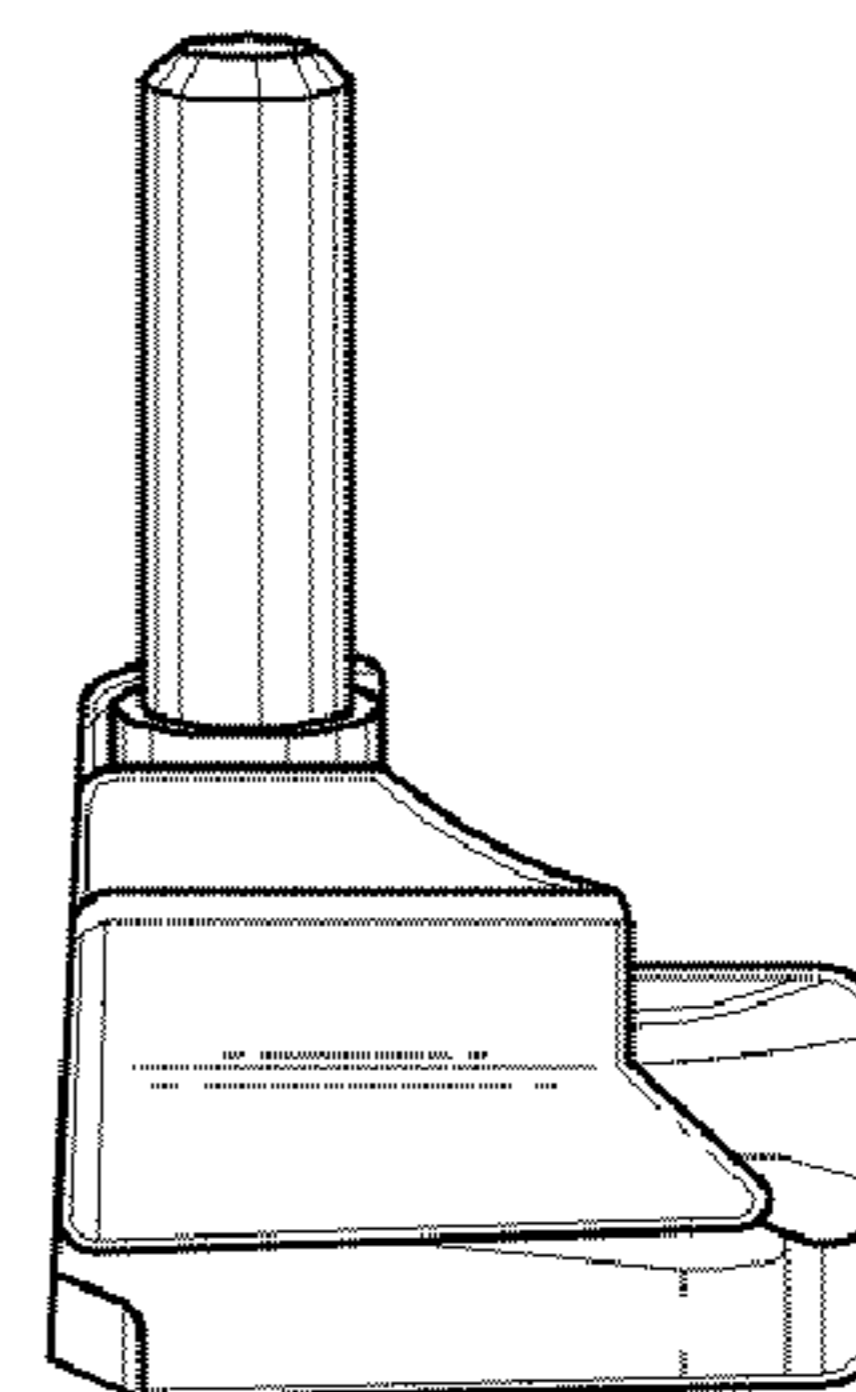


FIG. 7