



US00D590459S

(12) **United States Design Patent**
Caswell

(10) **Patent No.:** **US D590,459 S**
(45) **Date of Patent:** **** Apr. 14, 2009**

(54) **SPORTS GOAL**

(75) Inventor: **Tommy Caswell**, Fetcham (GB)

(73) Assignee: **Ready Set Goal Ltd**, Farnham, Surrey (GB)

(**) Term: **14 Years**

(21) Appl. No.: **29/282,175**

(22) Filed: **Jul. 12, 2007**

(51) **LOC (9) Cl.** **21-01**

(52) **U.S. Cl.** **D21/705**

(58) **Field of Classification Search** D21/305,
D21/698-705; 473/415-504; 273/348-410
See application file for complete search history.

(56) **References Cited**

U.S. PATENT DOCUMENTS

3,137,307	A	6/1964	Scurlock	
4,083,561	A *	4/1978	Daffer, Jr.	473/432
4,083,562	A *	4/1978	Zepper	473/478
4,876,829	A	10/1989	Mattick	
5,205,086	A	4/1993	Heim	
D353,426	S *	12/1994	Amram et al.	D21/705
D353,865	S *	12/1994	Smith	D21/705
D356,353	S *	3/1995	Broyles et al.	D21/705
D368,290	S *	3/1996	Lobos et al.	D21/705
5,533,733	A *	7/1996	Dirnbeck	273/400
5,564,711	A *	10/1996	Scheie	273/400
5,865,693	A	2/1999	Johnson	

5,951,415	A *	9/1999	Gates et al.	473/478
6,402,643	B1 *	6/2002	Gill	473/478
6,629,900	B2 *	10/2003	Wu	473/478

FOREIGN PATENT DOCUMENTS

DE	2335693	A1	1/1975
DE	20318743	U1	12/2004
WO	9919031	A	4/1999
WO	2006077431	A1	7/2006

* cited by examiner

Primary Examiner—Catherine Tuttle

(74) *Attorney, Agent, or Firm*—Christensen O'Connor Johnson Kindness PLLC

(57) **CLAIM**

The ornamental design for a sports goal, as shown and described.

DESCRIPTION

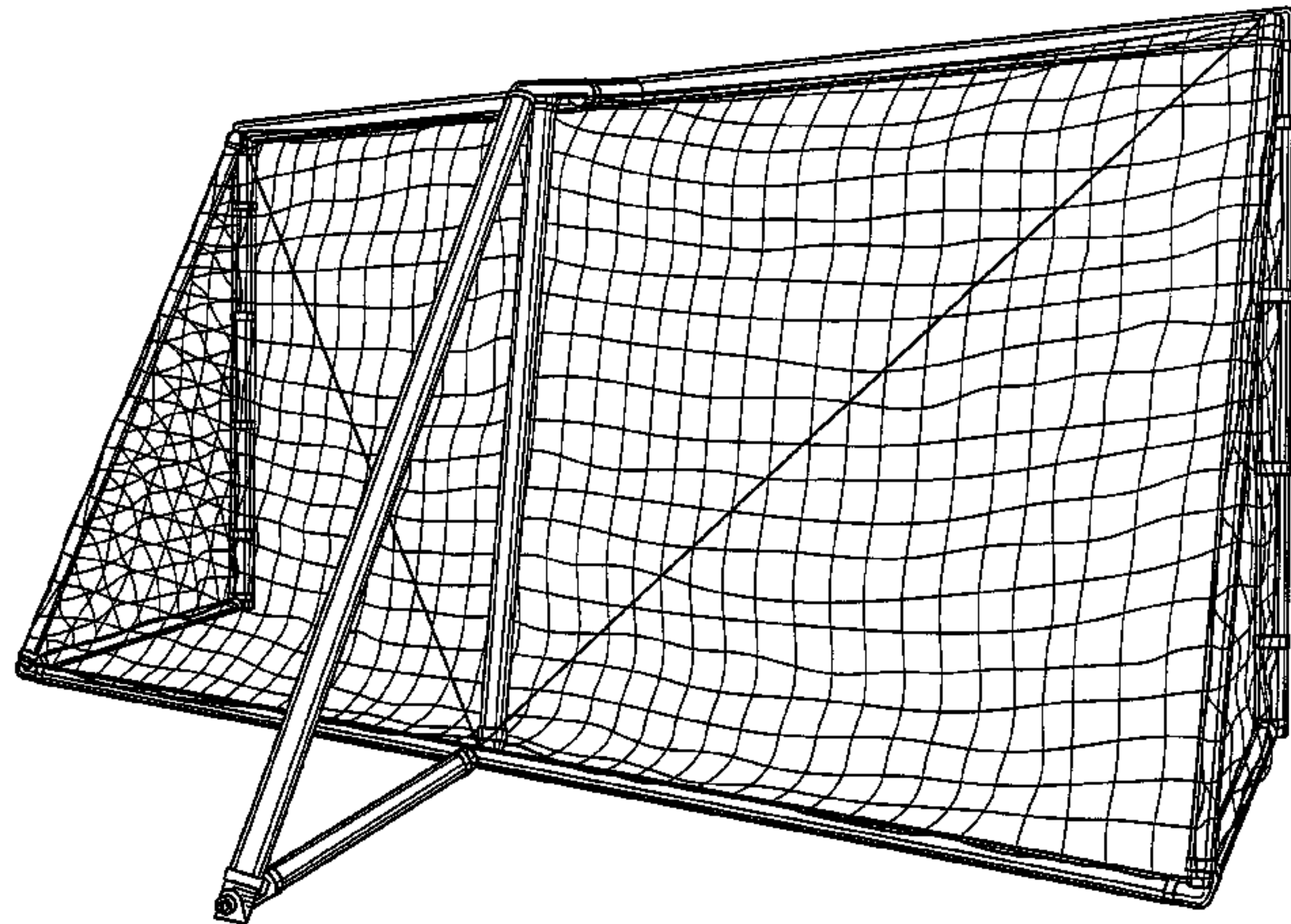
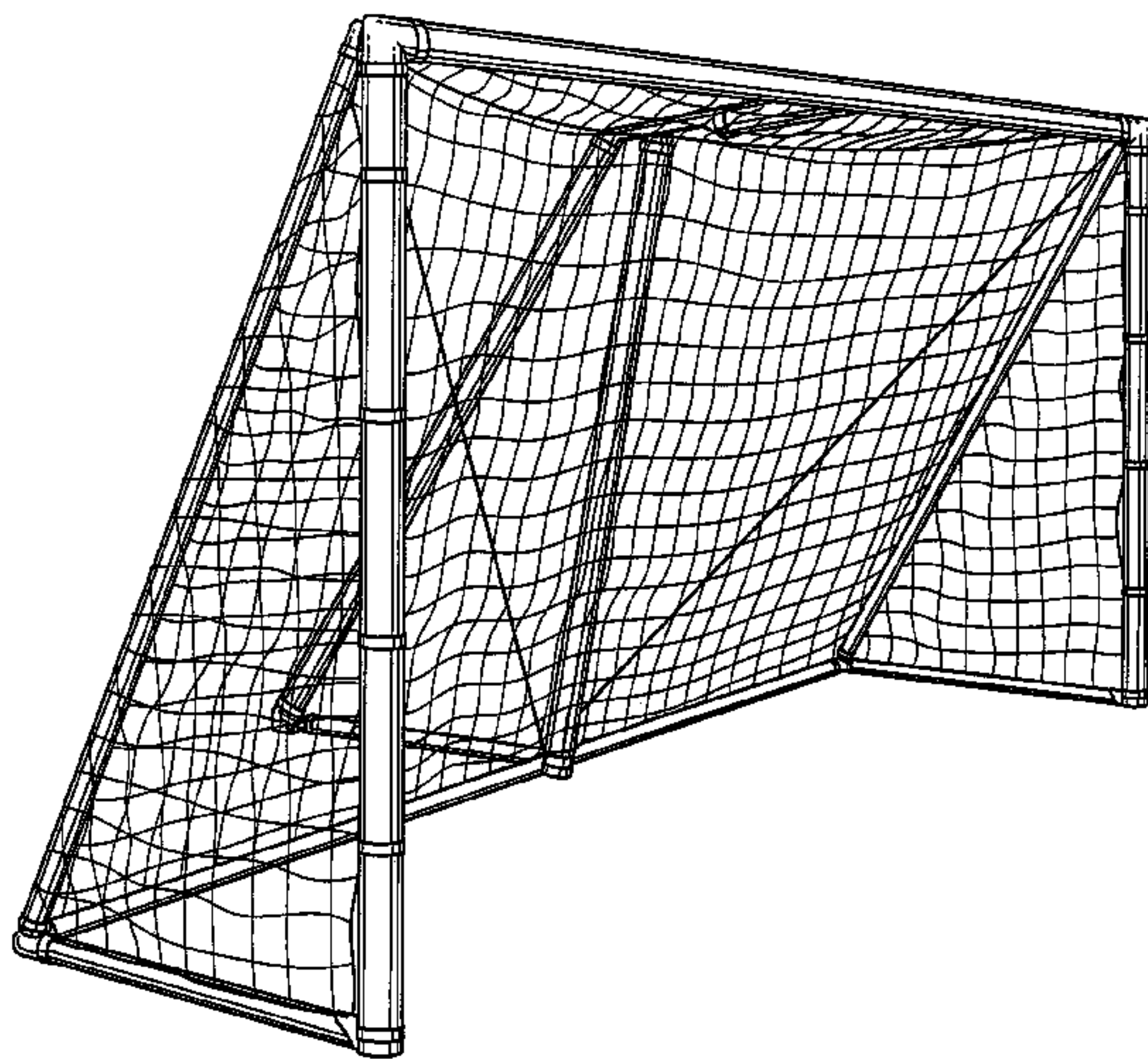
FIG. 1 shows an overall perspective view of a sports goal from the front and to one side;

FIG. 2 shows an overall perspective view of the sports goal of FIG. 1 as seen from the back and to one side;

FIG. 3 shows an elevational view of the sports goal of FIGS. 1 and 2 as seen from the left in FIG. 1, the elevational view from the right side being similar; and,

FIG. 4 shows a front elevational view of the sports goal of FIGS. 1 to 3.

1 Claim, 4 Drawing Sheets



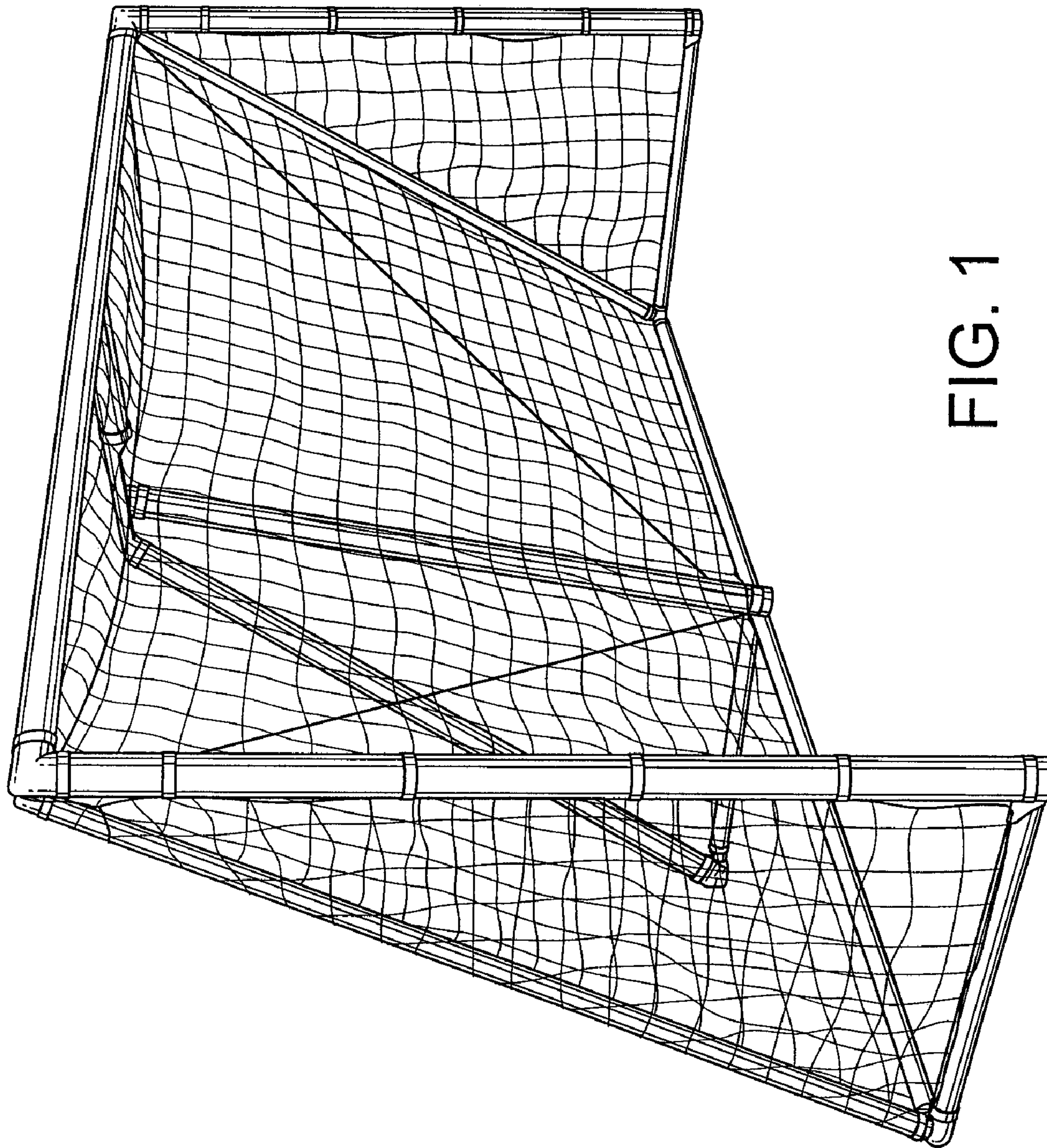


FIG. 1

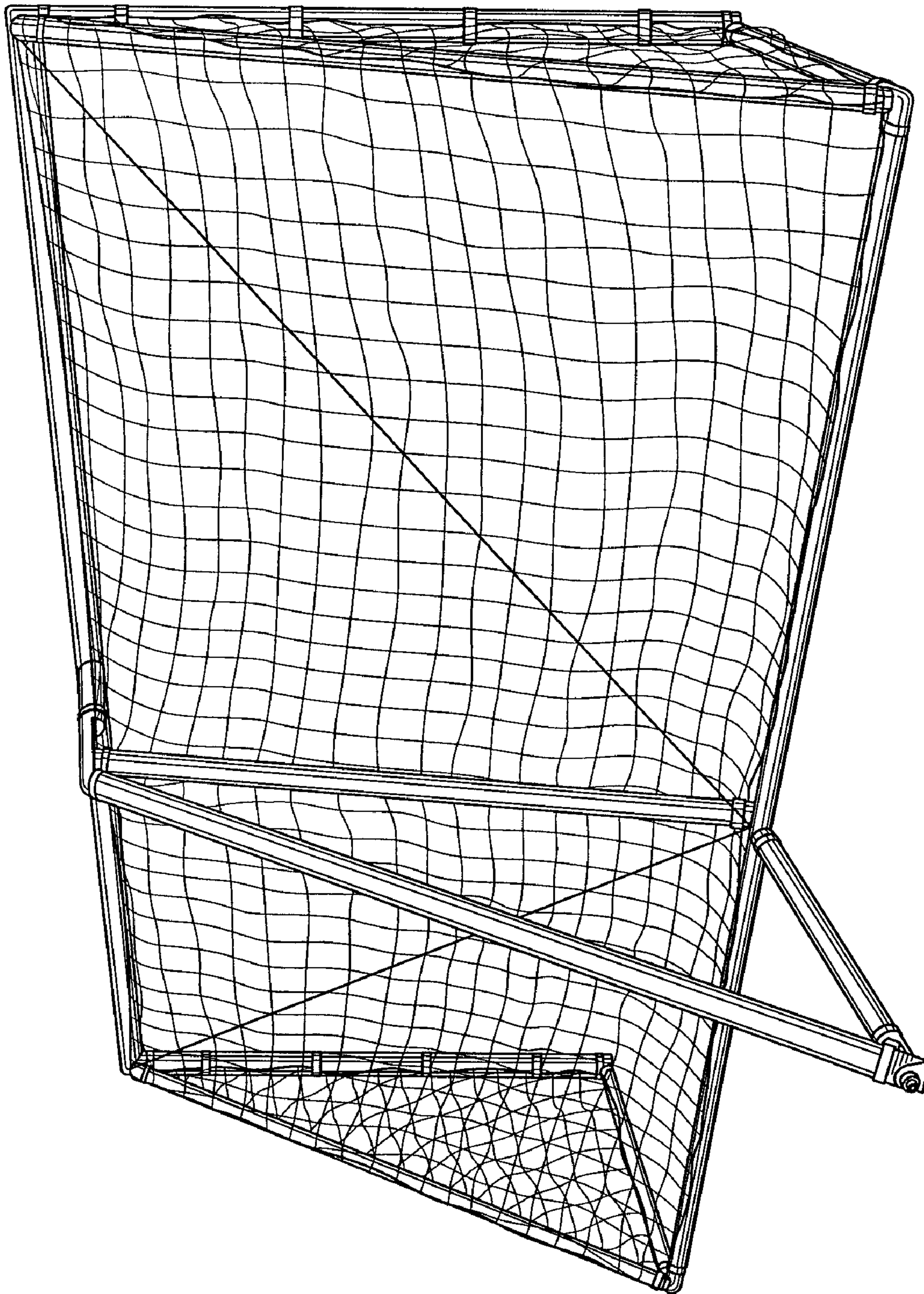


FIG. 2

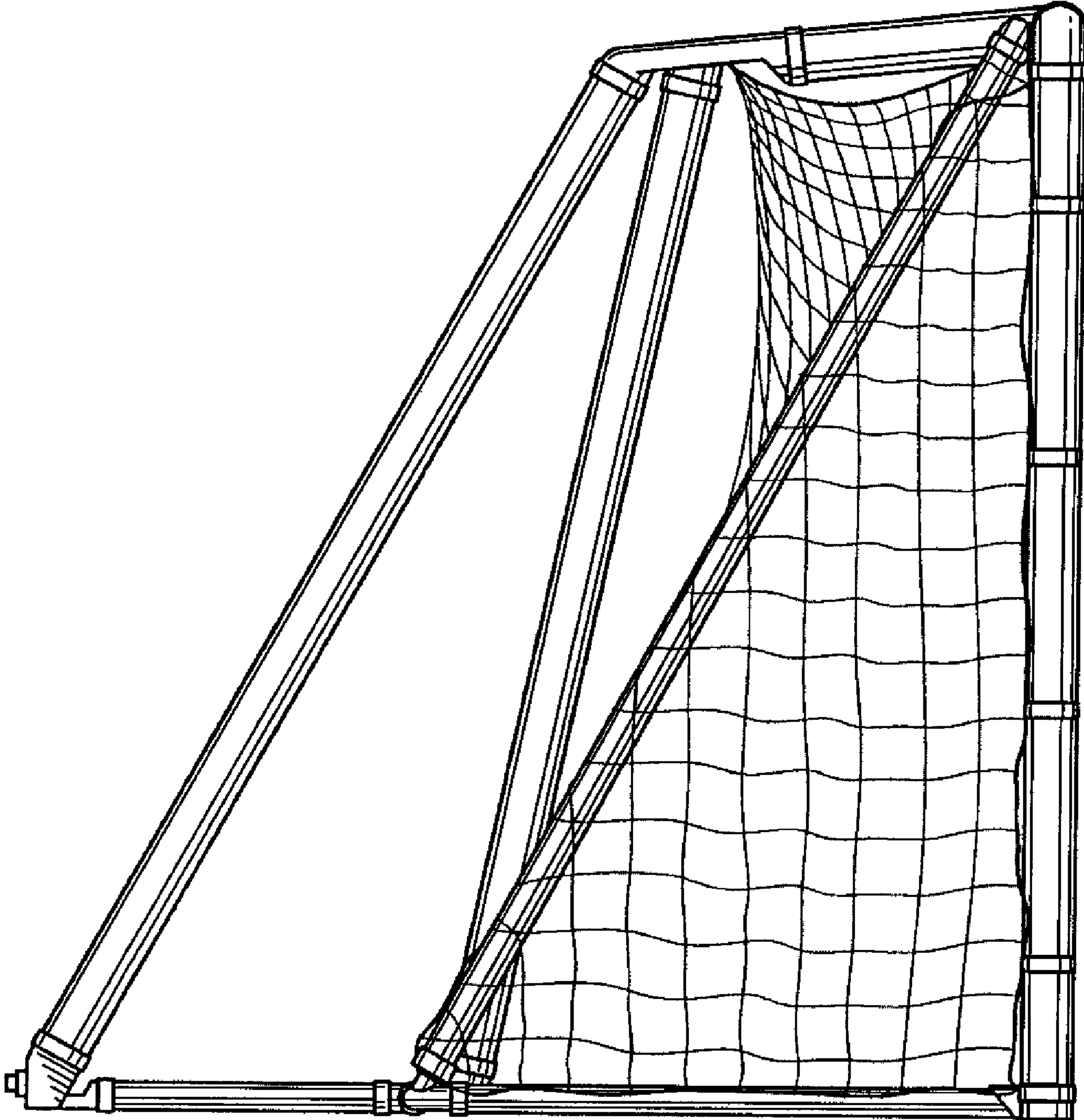


FIG. 3

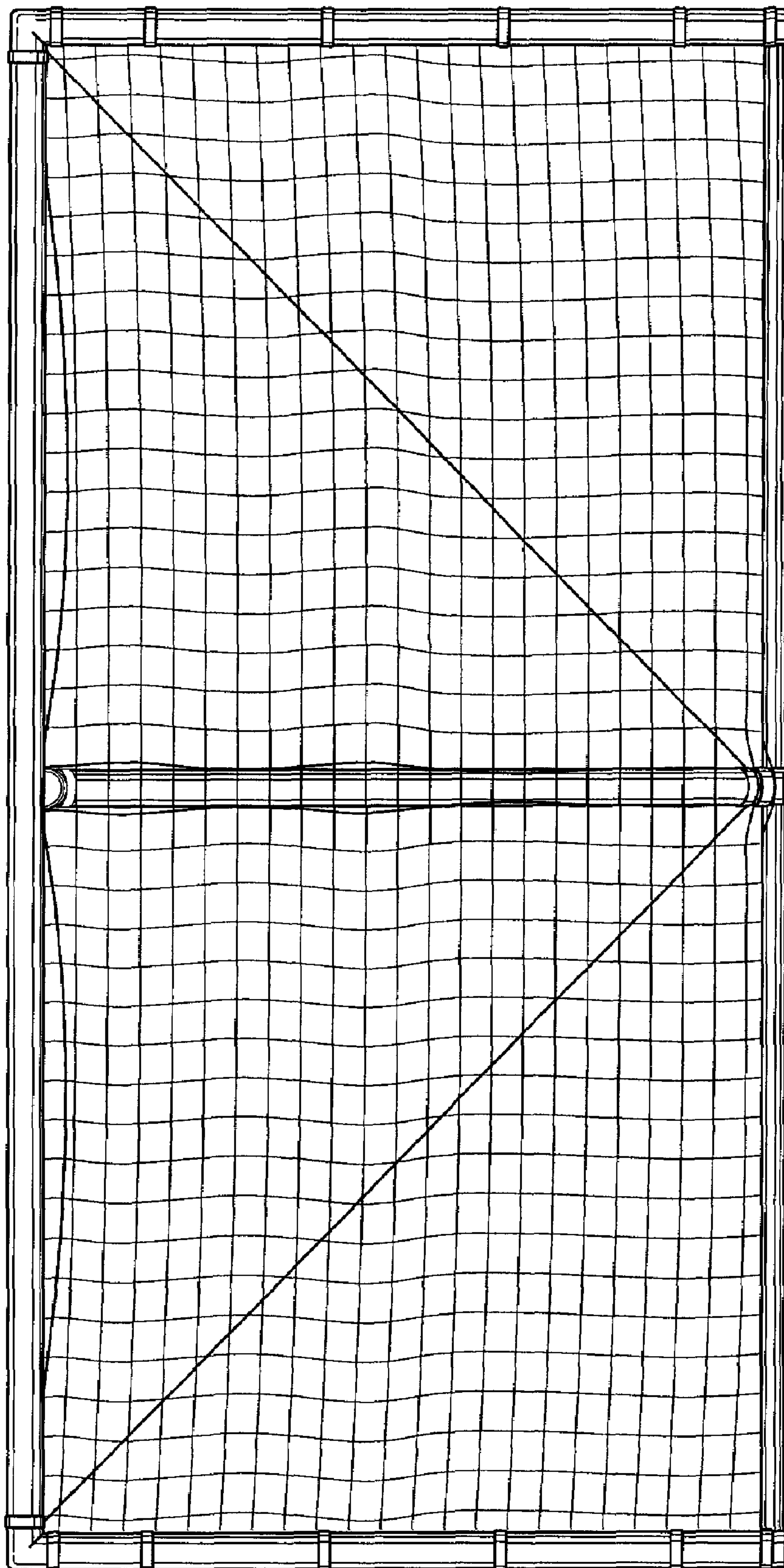


FIG. 4