



US00D590458S

(12) **United States Design Patent**
Johnson et al.

(10) **Patent No.:** **US D590,458 S**

(45) **Date of Patent:** **** *Apr. 14, 2009**

(54) **BOTTOM BRACKET CUP**

(75) Inventors: **Bryn Peter Johnson**, Surrey (CA); **Sven Sturm**, Vancouver (CA)

(73) Assignee: **Race Face Components, Inc.**, New Westminster, BC (CA)

(*) Notice: This patent is subject to a terminal disclaimer.

(**) Term: **14 Years**

(21) Appl. No.: **29/219,625**

(22) Filed: **Dec. 21, 2004**

(51) **LOC (9) Cl.** **21-02**

(52) **U.S. Cl.** **D21/694**

(58) **Field of Classification Search** D21/694;
D12/114, 118, 123, 124, 125; D8/382, 387;
384/585

See application file for complete search history.

(56) **References Cited**

U.S. PATENT DOCUMENTS

D294,295 S * 2/1988 Brangemark D24/156
D317,862 S * 7/1991 Yamamoto D8/387
5,456,537 A * 10/1995 Wang 384/545
5,509,739 A * 4/1996 Chi 384/458
5,575,540 A * 11/1996 Chi 301/110.5

5,634,727 A * 6/1997 Lin et al. 384/545
5,762,426 A * 6/1998 Lin 384/458
6,042,274 A * 3/2000 Lin 384/545
6,435,726 B1 * 8/2002 Chi 384/545
6,581,494 B2 * 6/2003 Sechler 74/594.1
6,612,950 B2 * 9/2003 Nanko 474/82
2003/0235356 A1 * 12/2003 Jiang 384/458

* cited by examiner

Primary Examiner—Philip S Hyder

(74) *Attorney, Agent, or Firm*—Fasken Martineau DuMoulin LLP

(57) **CLAIM**

The ornamental design for a bottom bracket cup, as shown and described.

DESCRIPTION

FIG. 1 is a top view of a bottom bracket cup;

FIG. 2 is a front side view of the design, wherein the rear, right and left side views are identical;

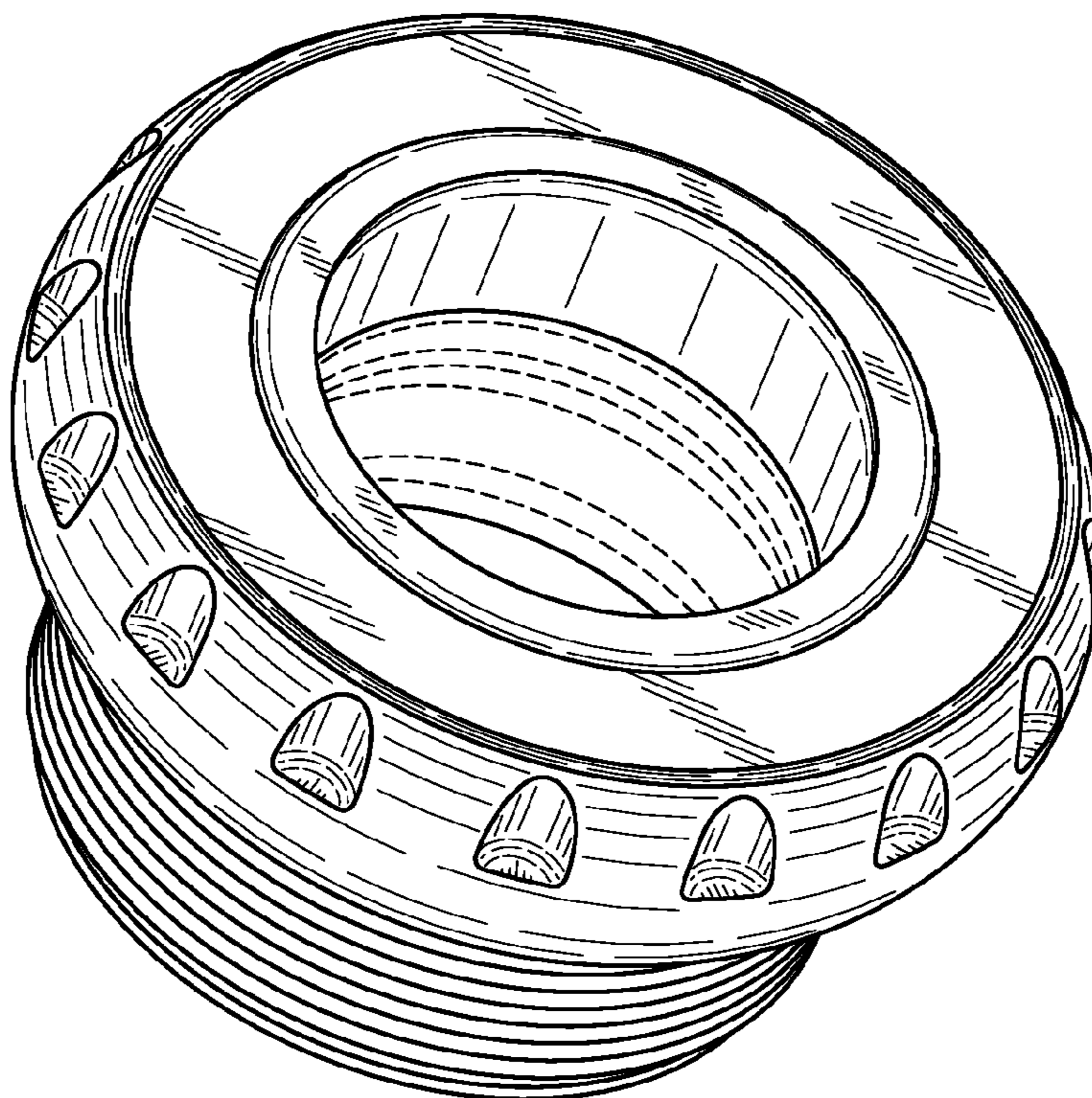
FIG. 3 is a bottom view of the design;

FIG. 4 is a perspective view of the design; and,

FIG. 5 is a bottom perspective view of the design.

The broken lines depict portions of the design that are not claimed.

1 Claim, 5 Drawing Sheets



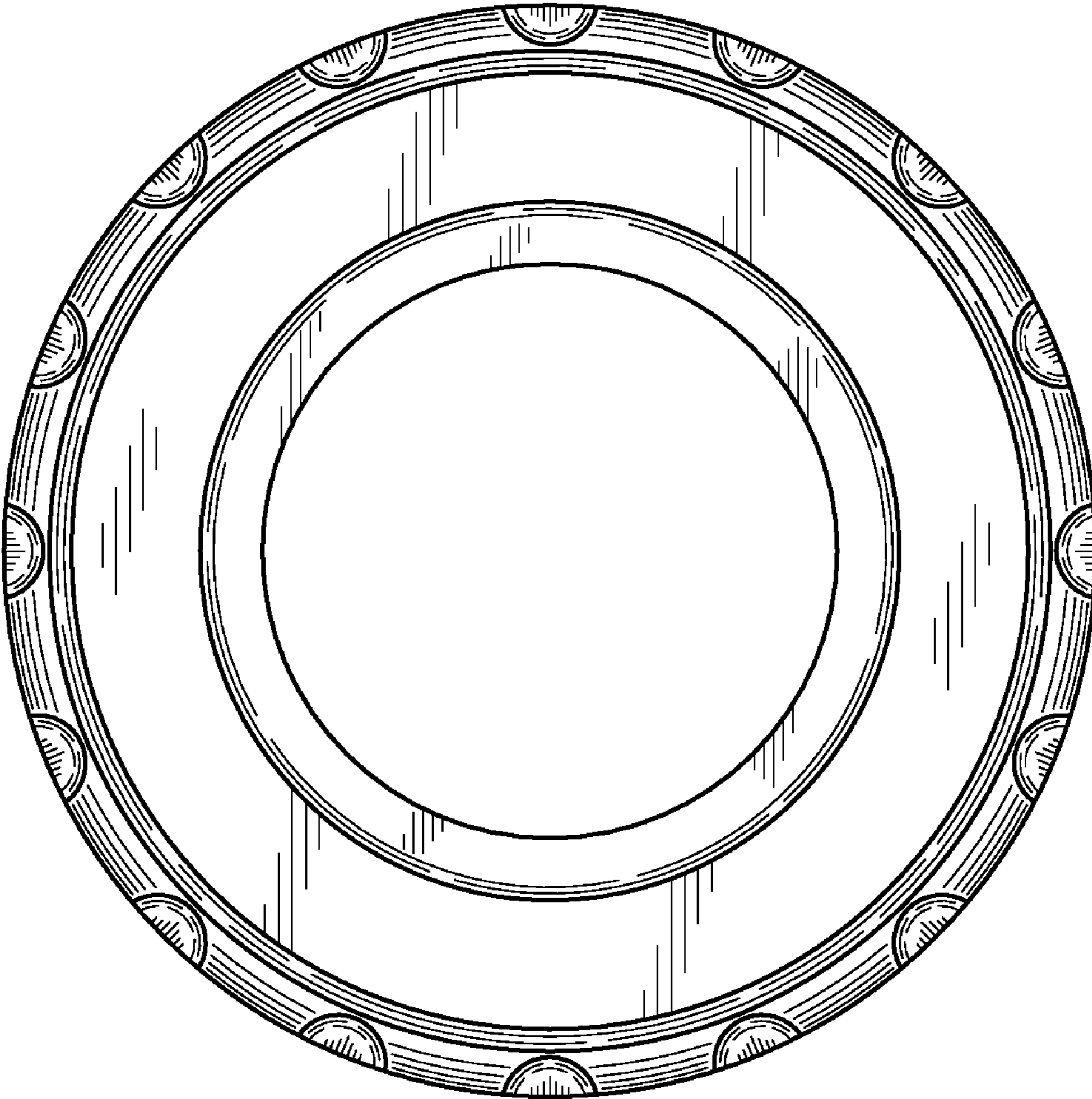


FIG. 1

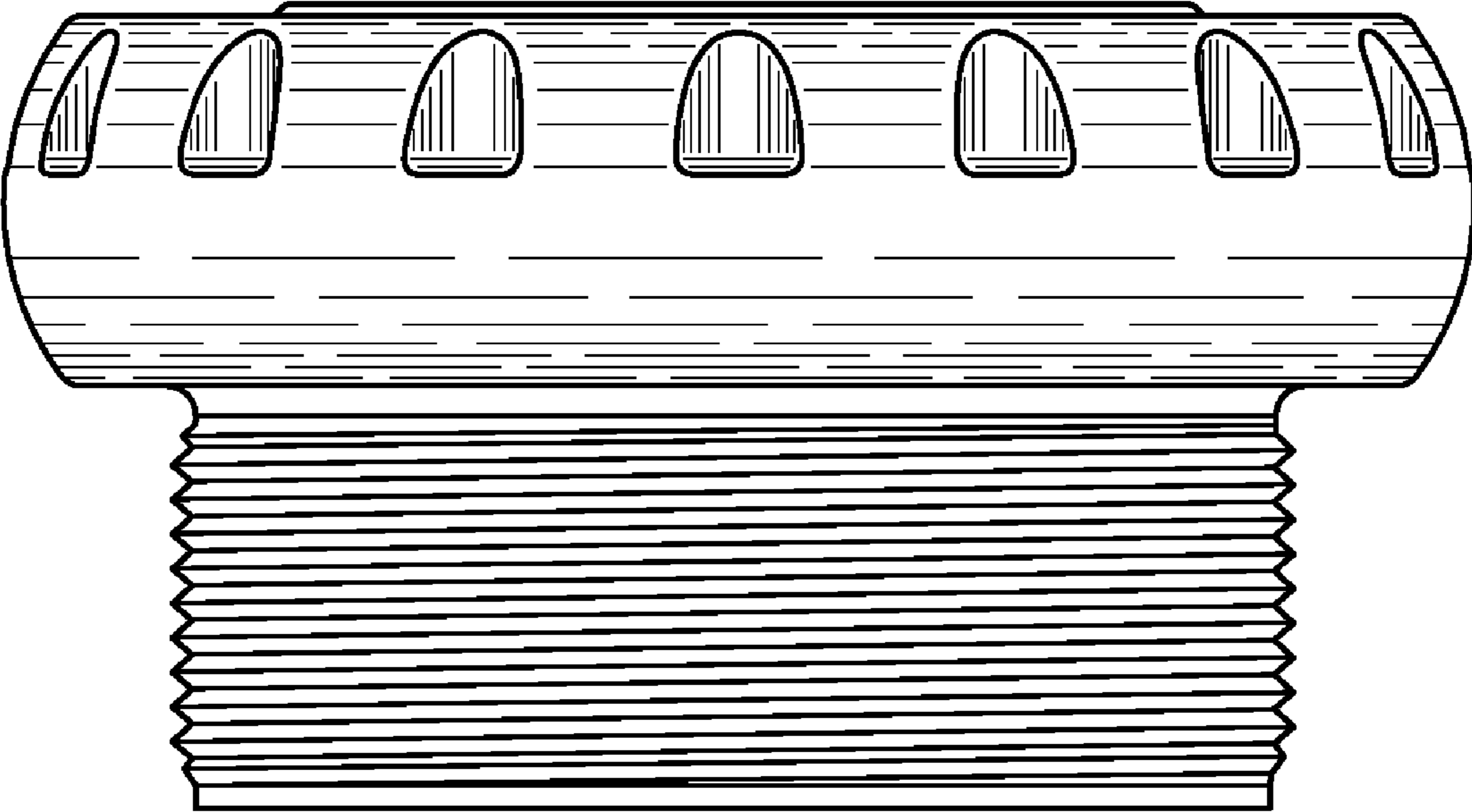


FIG. 2

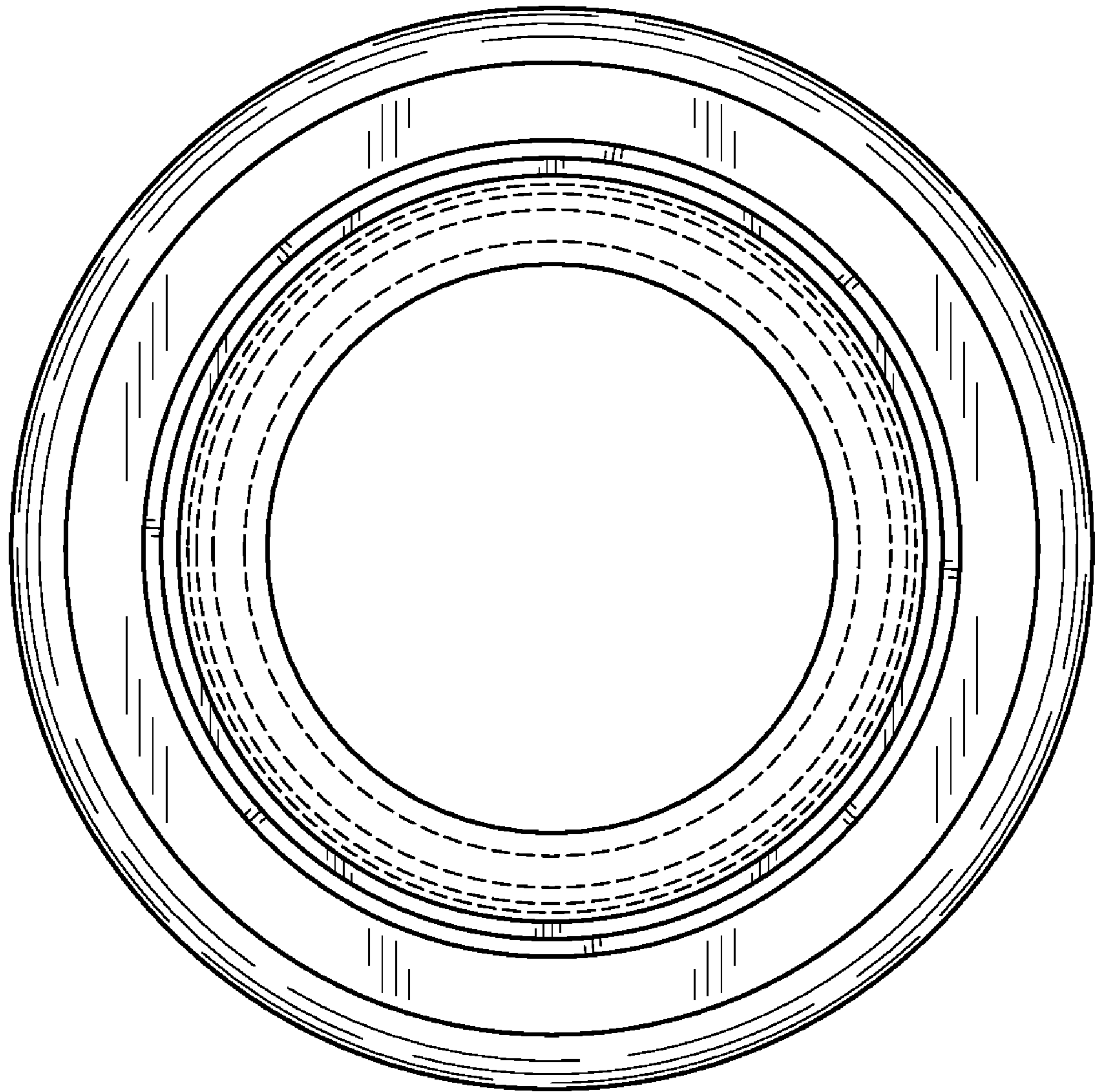


FIG. 3

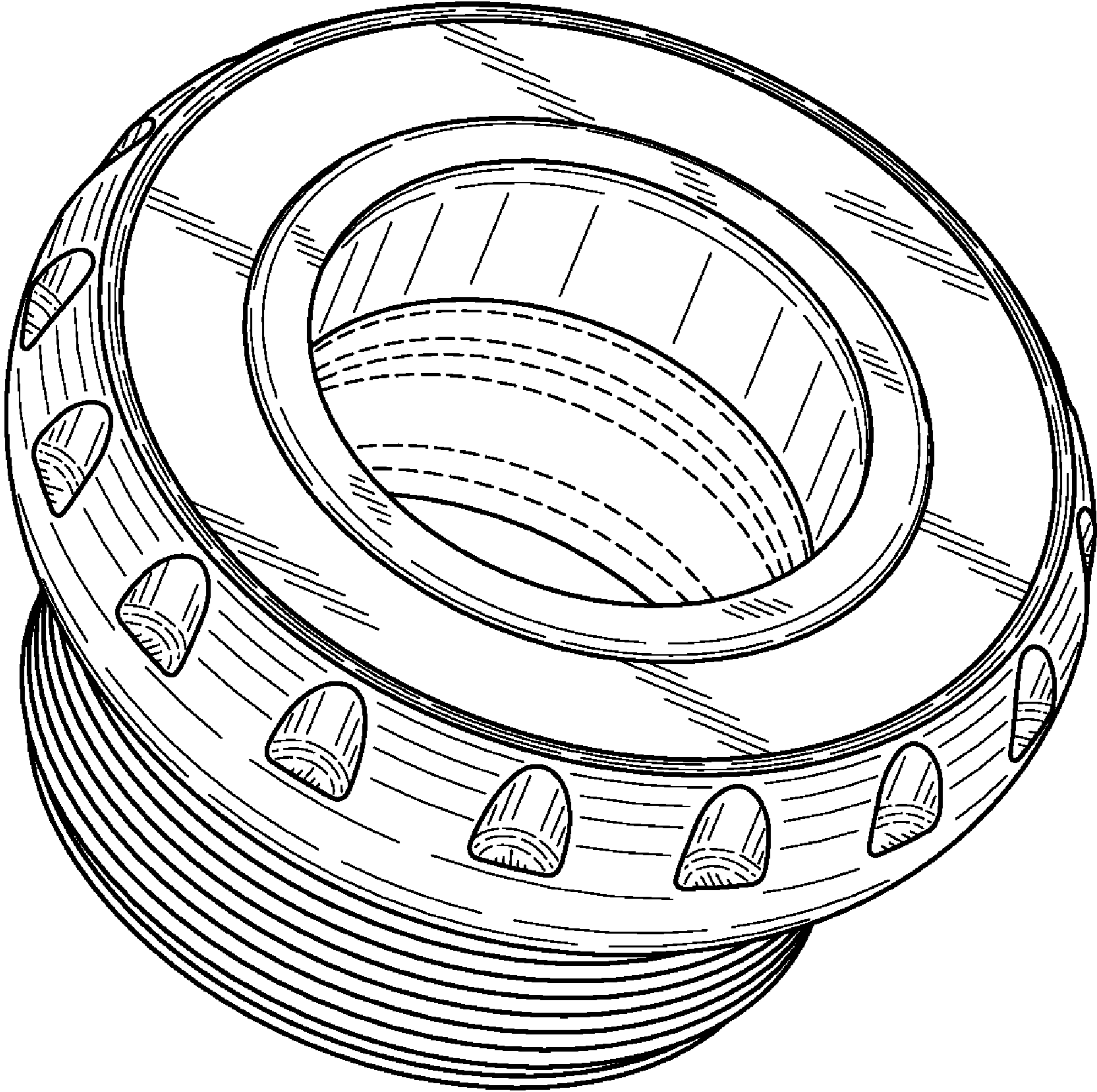


FIG. 4

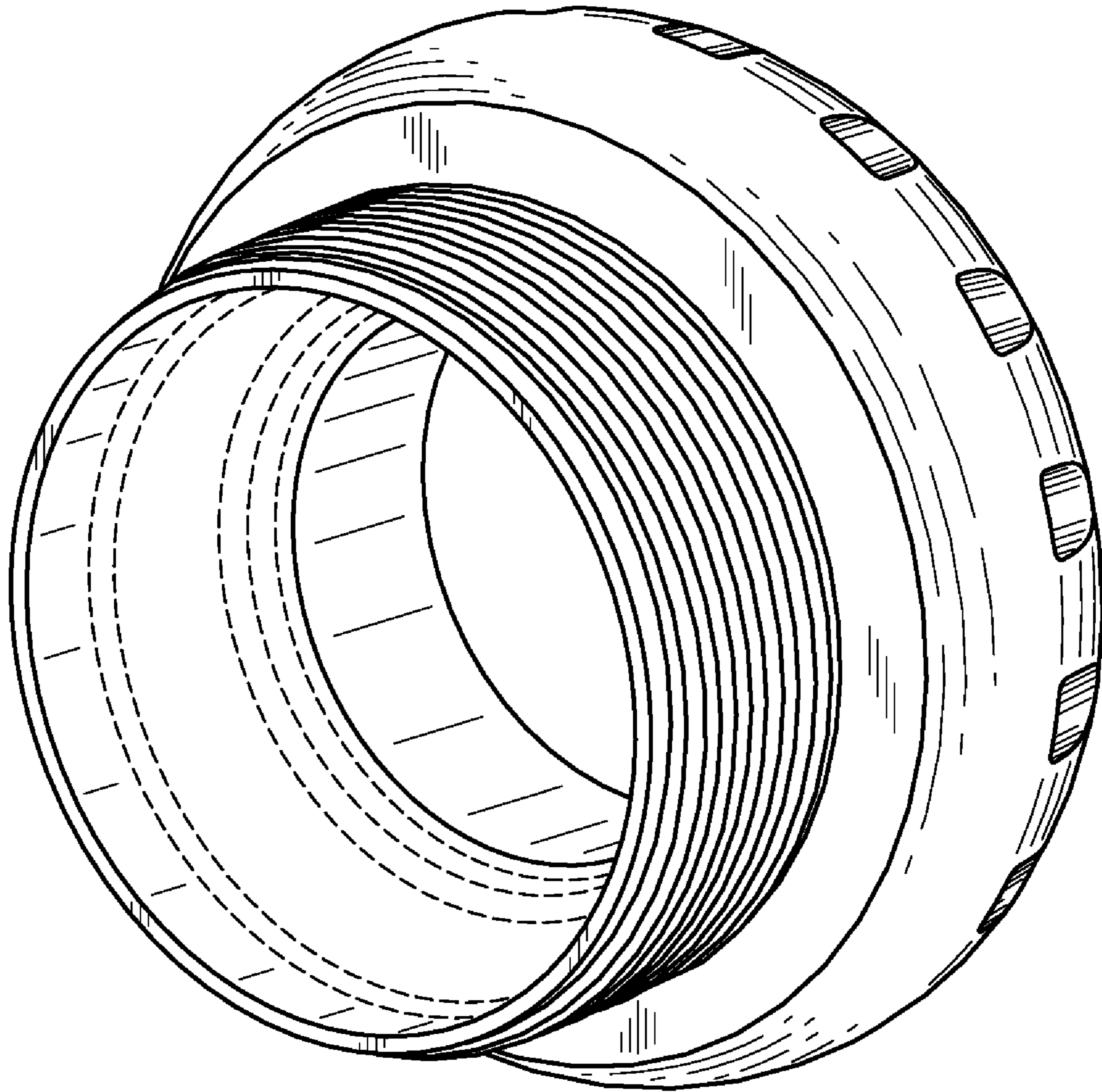


FIG. 5