

US00D590454S

(12) **United States Design Patent**  
**Sato et al.**

(10) **Patent No.:** **US D590,454 S**  
(45) **Date of Patent:** **\*\* Apr. 14, 2009**

(54) **TOY**  
(75) Inventors: **Wataru Sato**, Kawasaki (JP); **Noriyoshi Matsumura**, Chiba (JP)  
(73) Assignee: **Spin Master Ltd.**, Toronto, Ontario (CA)

(\*\*) **Term:** **14 Years**

(21) **Appl. No.:** **29/292,050**

(22) **Filed:** **Sep. 26, 2007**

(51) **LOC (9) Cl.** ..... **21-01**

(52) **U.S. Cl.** ..... **D21/584; D21/657**

(58) **Field of Classification Search** ..... D21/578-584, D21/650, 657; 446/71-72, 97, 99, 487  
See application file for complete search history.

(56) **References Cited**

**U.S. PATENT DOCUMENTS**

|            |   |         |               |       |         |
|------------|---|---------|---------------|-------|---------|
| D226,208 S | * | 1/1973  | Meyers et al. | ..... | D21/592 |
| D272,458 S |   | 1/1984  | Fleminger     |       |         |
| D286,800 S |   | 11/1986 | Maruyama      |       |         |
| D287,258 S |   | 12/1986 | Maruyama      |       |         |
| D292,110 S |   | 9/1987  | Tamakoshi     |       |         |
| D296,916 S |   | 7/1988  | Matsuda       |       |         |
| D297,749 S |   | 9/1988  | Rodis-Jamero  |       |         |
| D298,150 S |   | 10/1988 | Torres et al. |       |         |
| D298,151 S |   | 10/1988 | Torres et al. |       |         |

\* cited by examiner

*Primary Examiner*—Sandra Morris  
(74) *Attorney, Agent, or Firm*—Cohen Pontani Lieberman & Pavane LLP

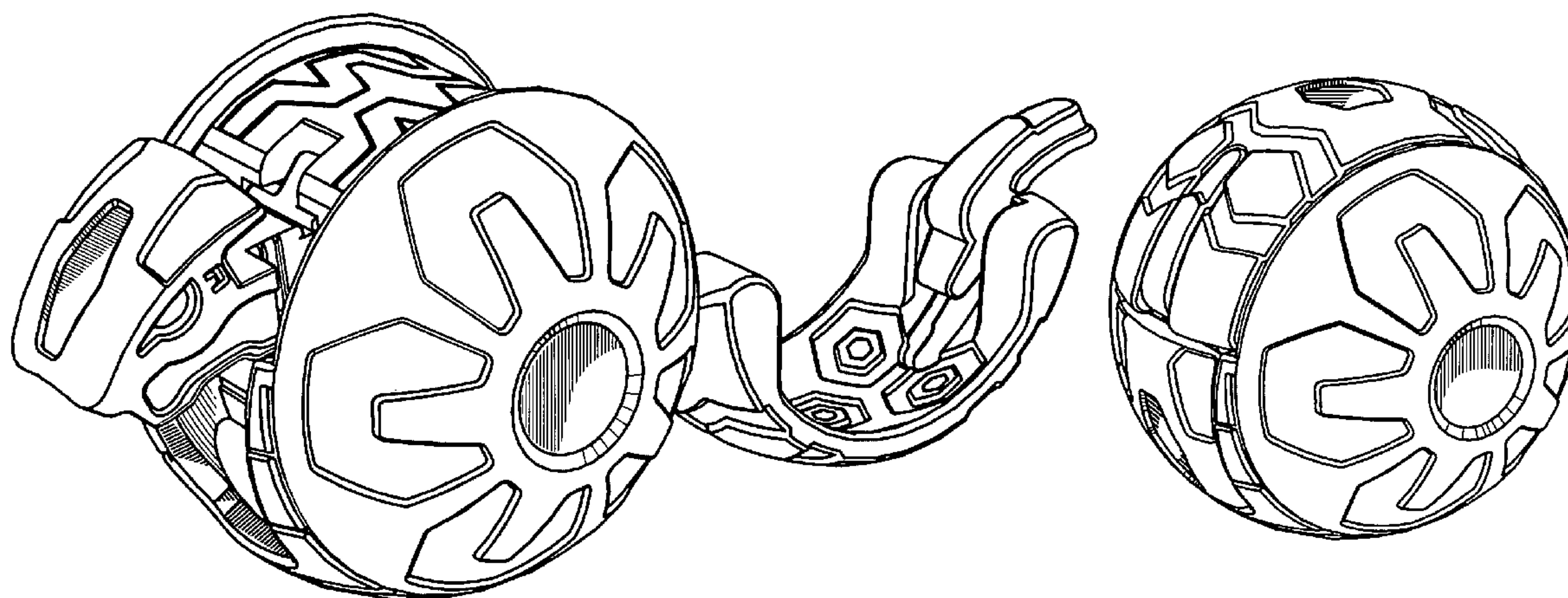
(57) **CLAIM**

The ornamental design for a toy, as shown and described.

**DESCRIPTION**

FIG. 1 is a front perspective view of the toy in its opened state; FIG. 2 is a rear perspective view of the toy in its opened state; FIG. 3 is a top view of the toy in its opened state; FIG. 4 is a bottom view of the toy in its opened state; FIG. 5 is a front view of the toy in its opened state; FIG. 6 is a rear view of the toy in its opened state; FIG. 7 is a left-side view of the toy in its opened state; FIG. 8 is a right-side view of the toy in its opened state; FIG. 9 is a front perspective view of the toy in its closed state; FIG. 10 is a top view of the toy in its closed state; FIG. 11 is a bottom view of the toy in its closed state; FIG. 12 is a front view of the toy in its closed state; FIG. 13 is a rear view of the toy in its closed state; FIG. 14 is a left-side view of the toy in its closed state; and, FIG. 15 is a right-side view of the toy in its closed state.

**1 Claim, 11 Drawing Sheets**



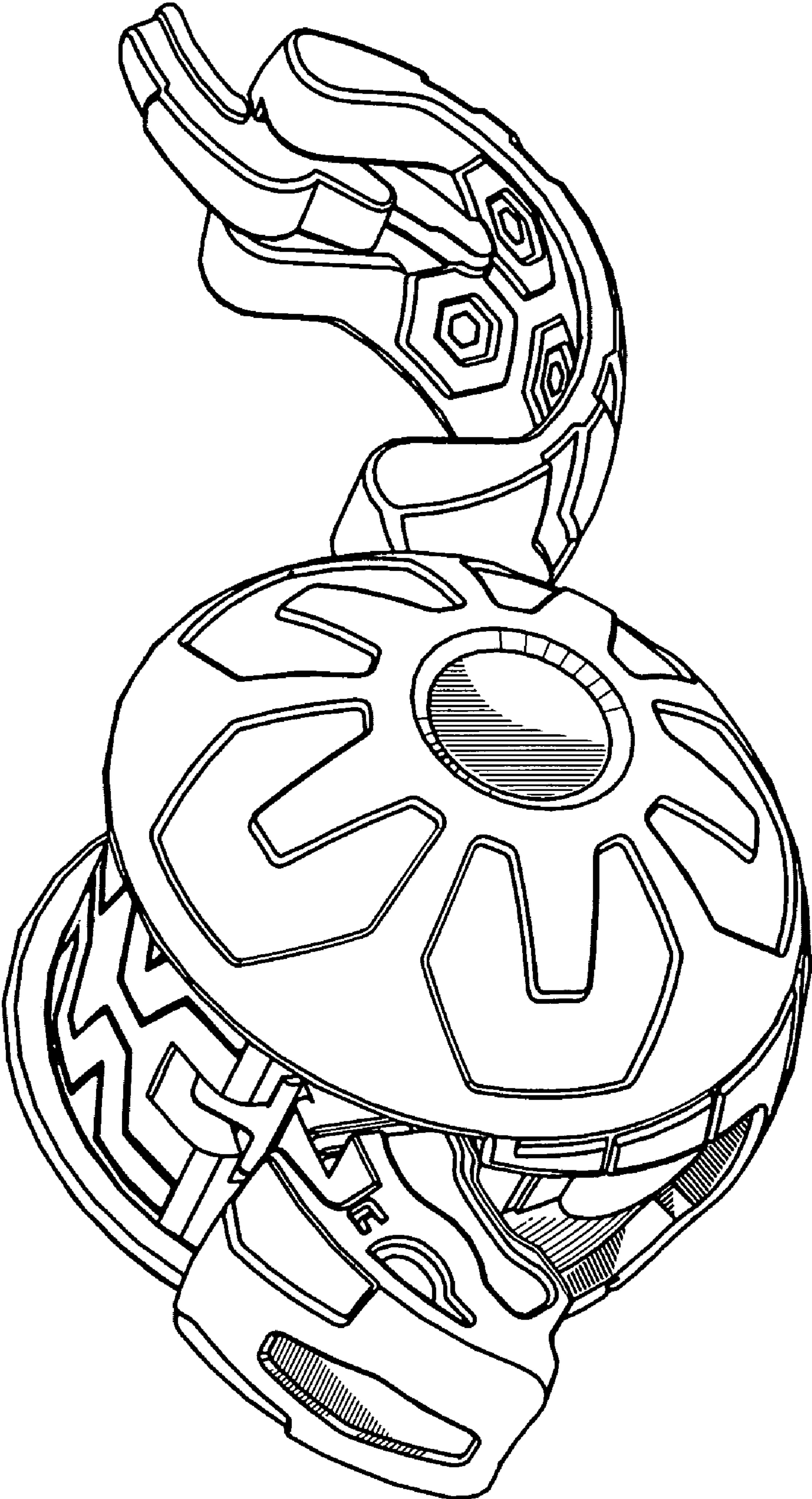


FIG. 1

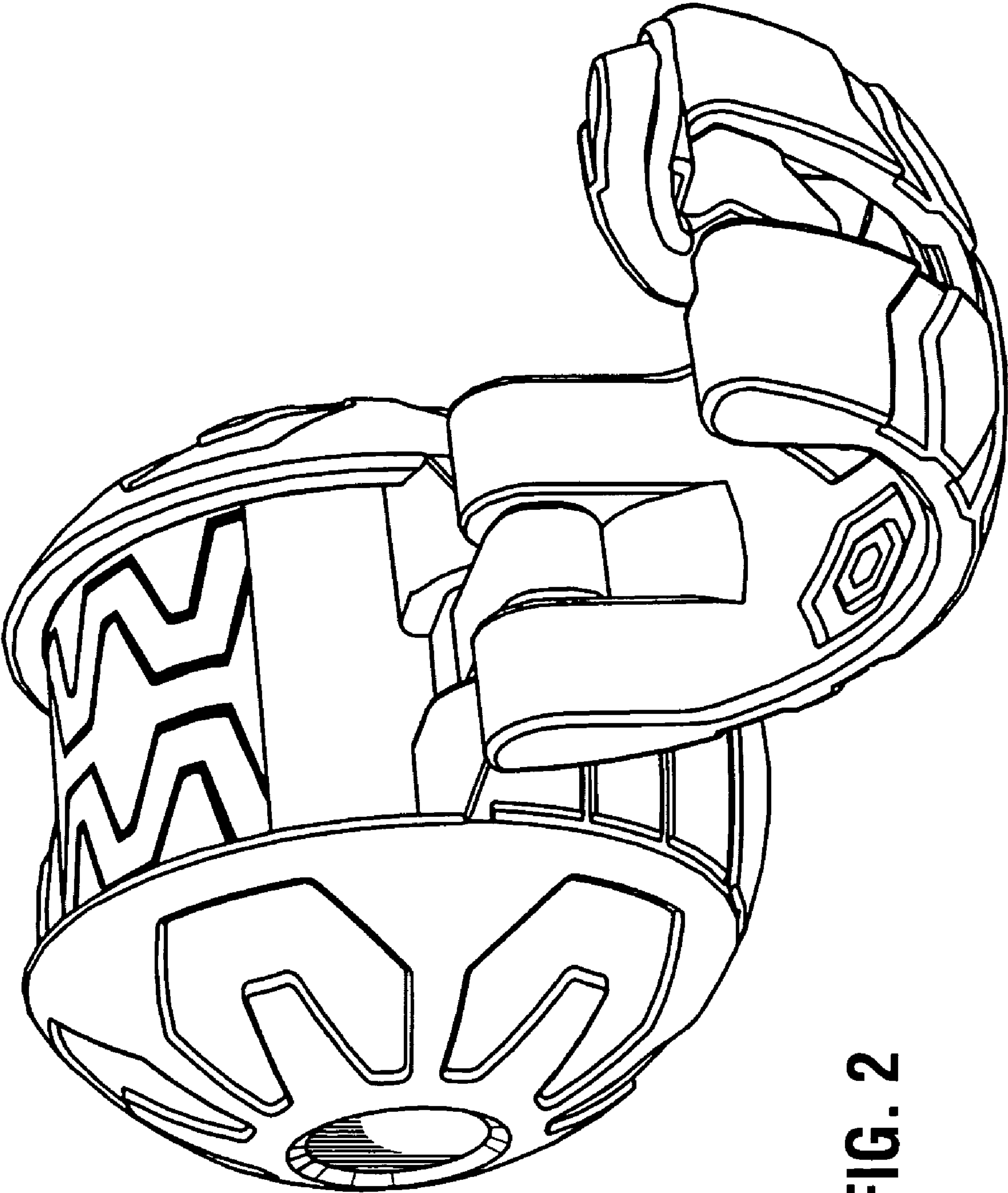


FIG. 2



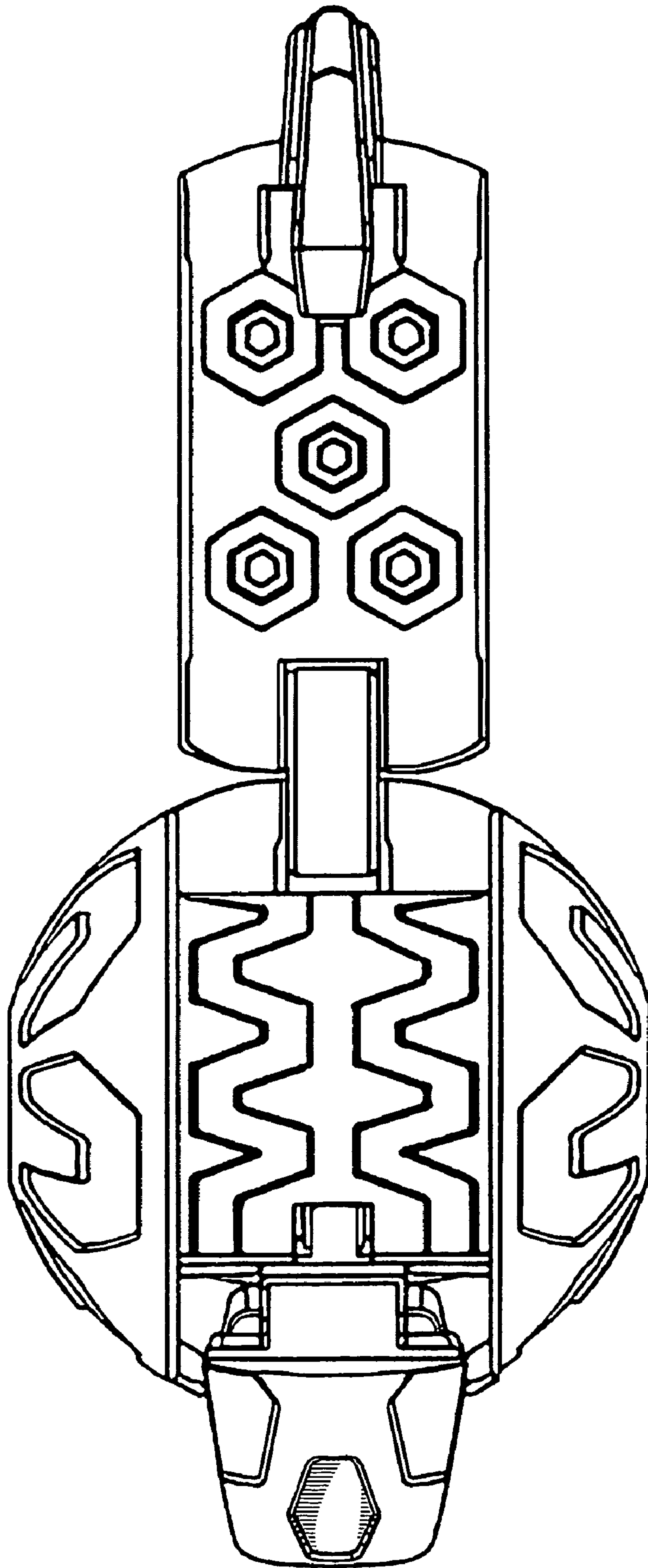


FIG. 3

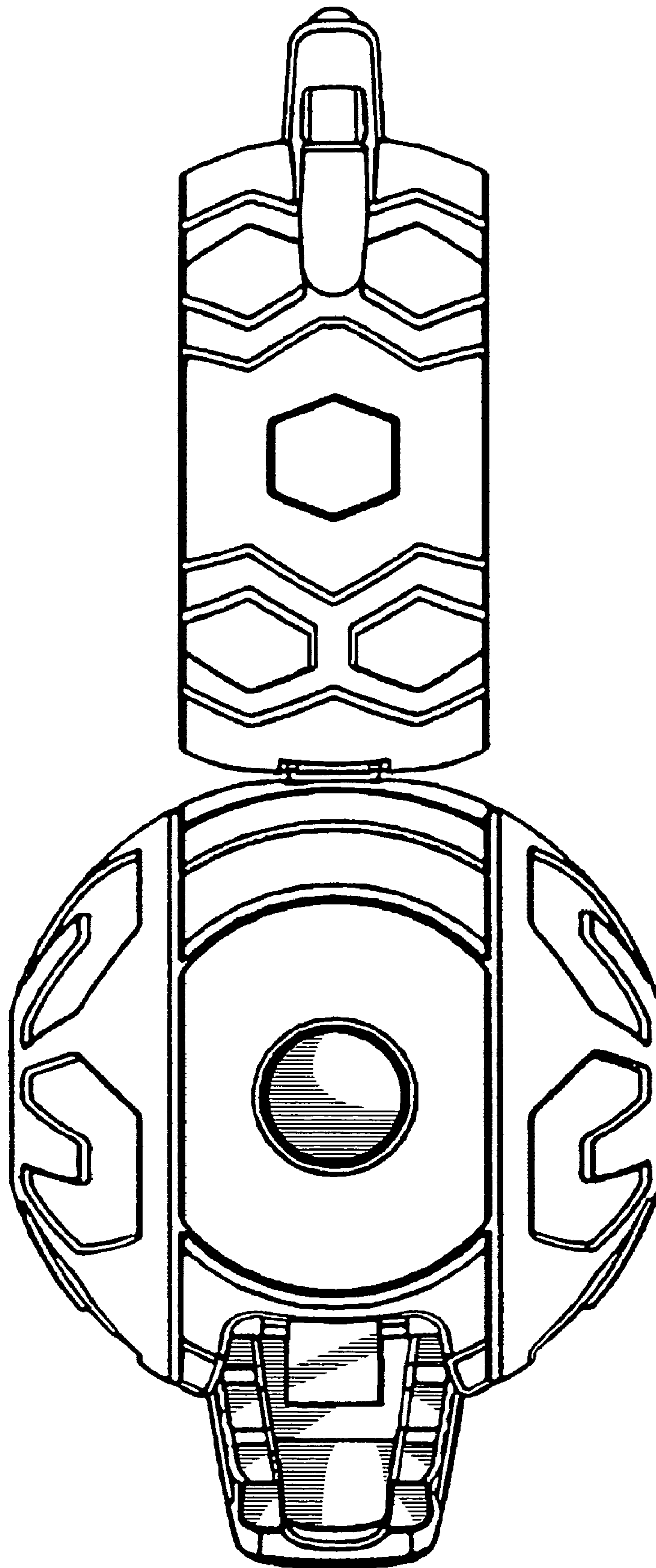


FIG. 4

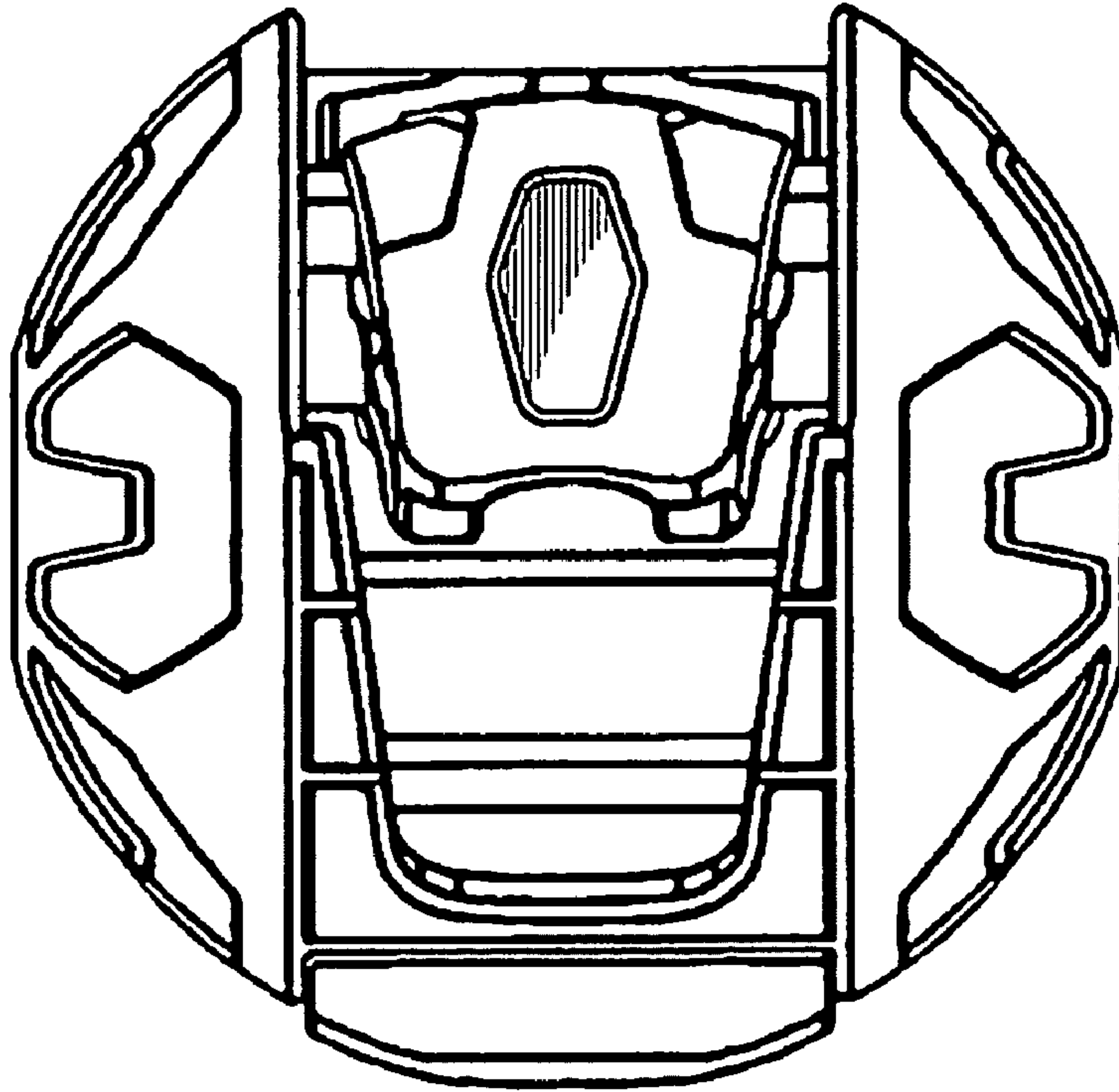


FIG. 5

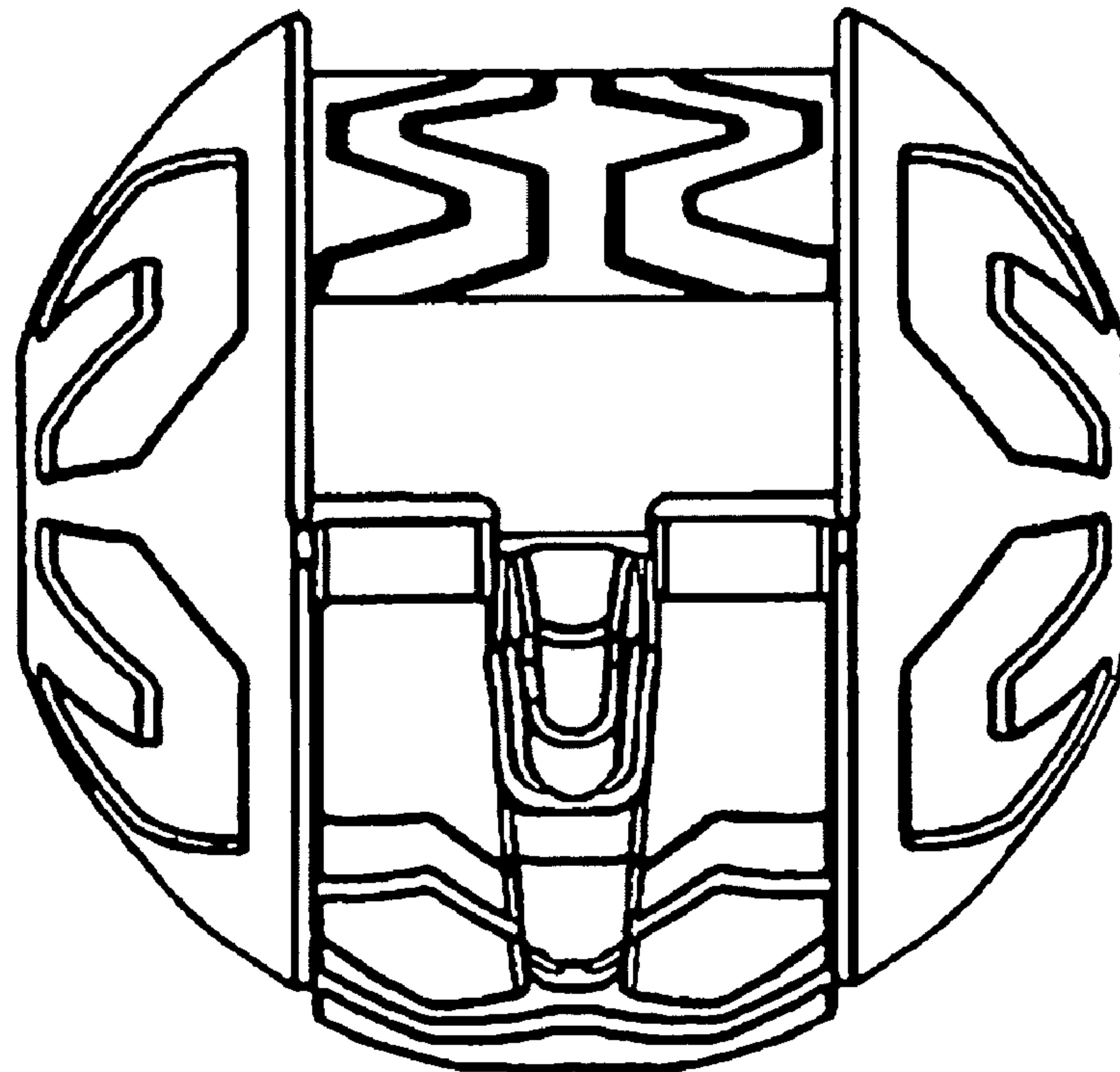


FIG. 6

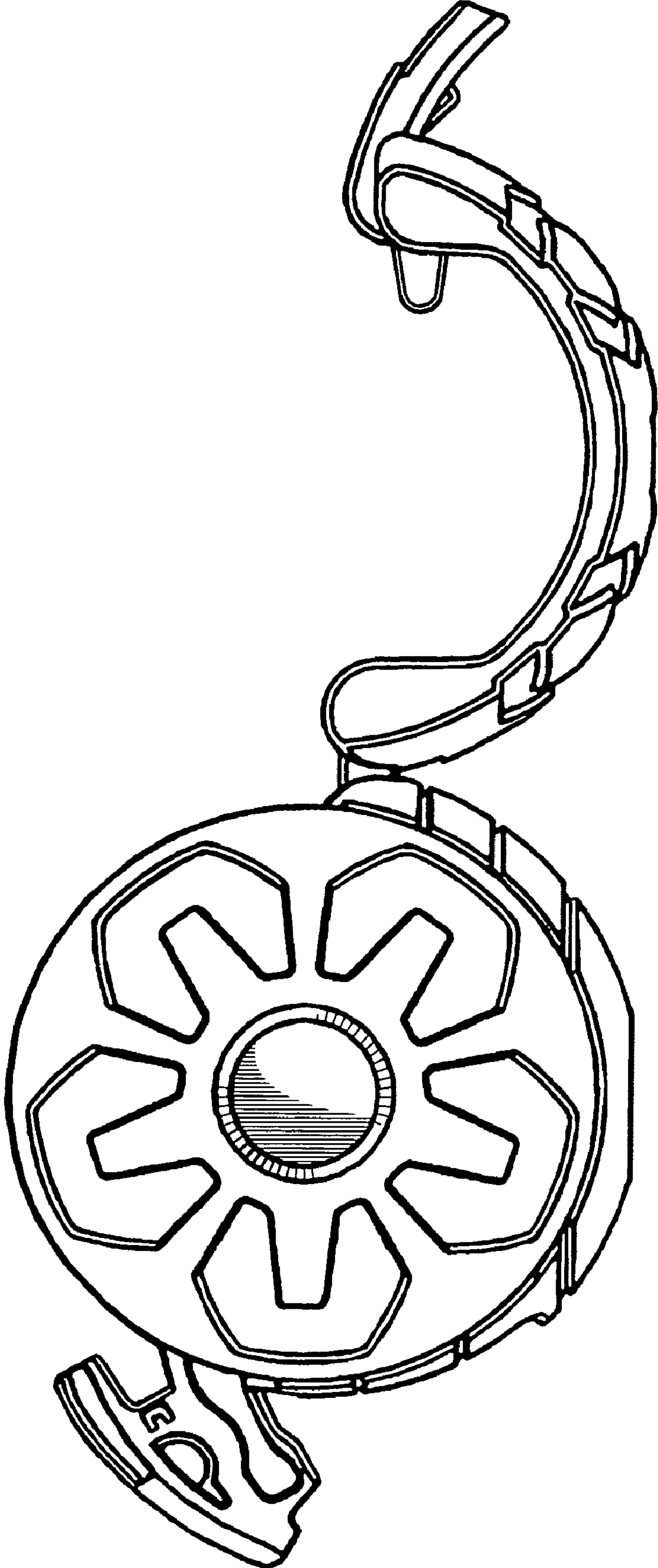


FIG. 7

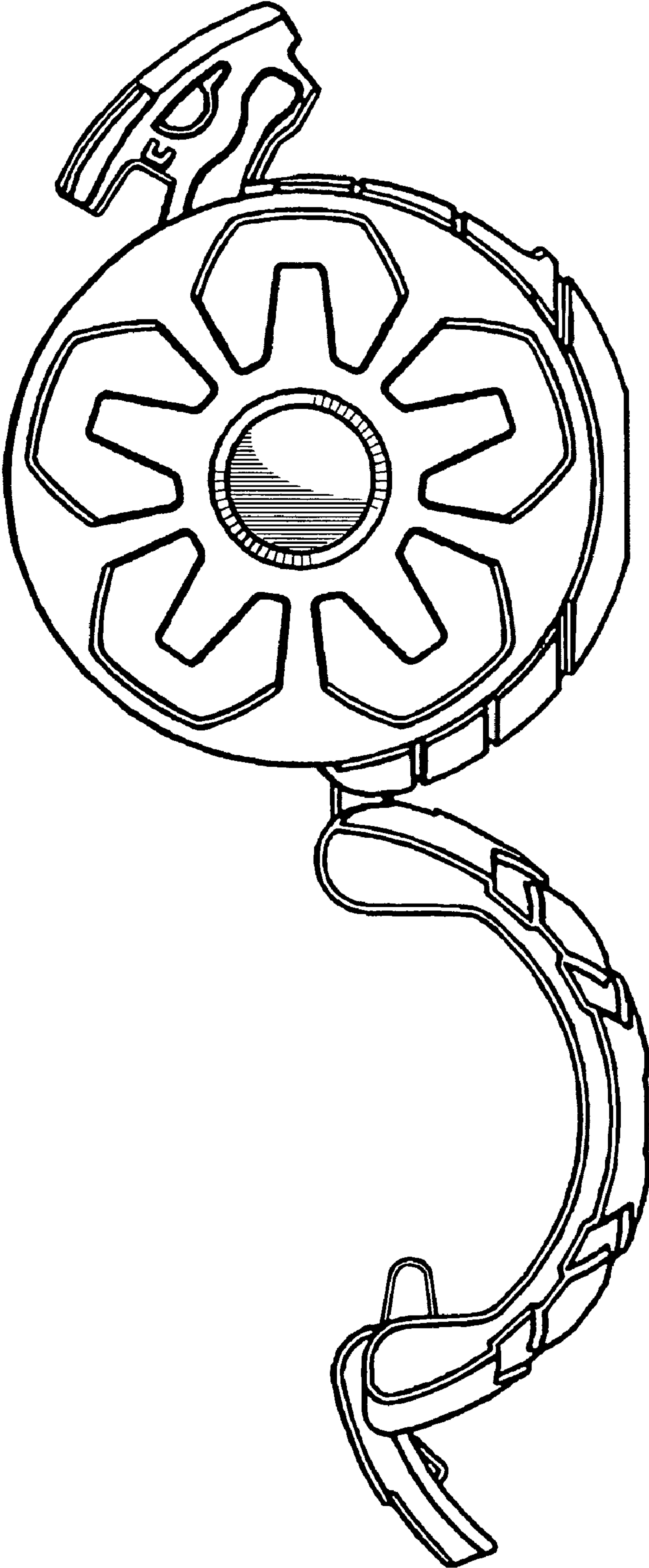


FIG. 8





**FIG. 9**

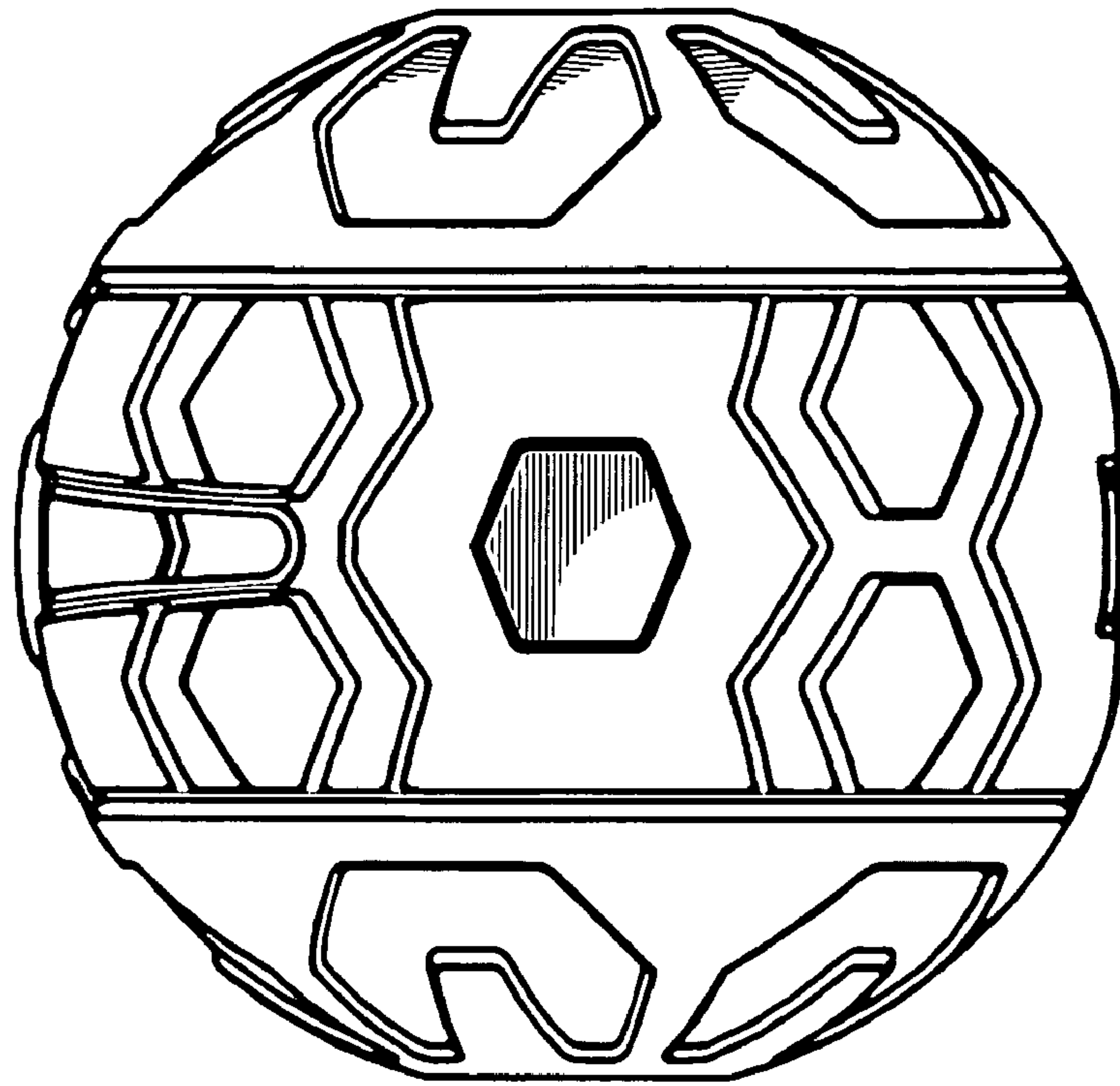


FIG. 10

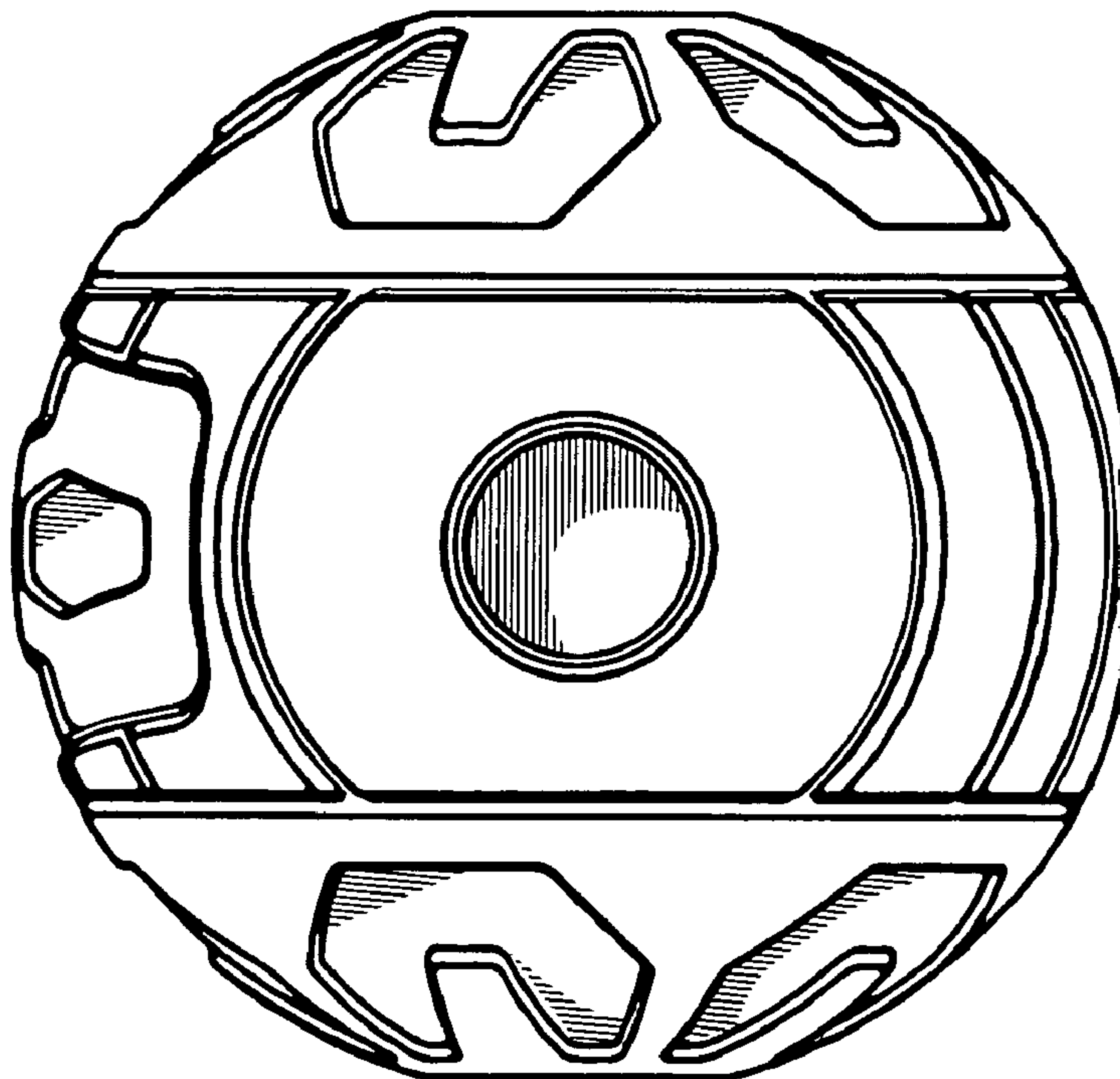
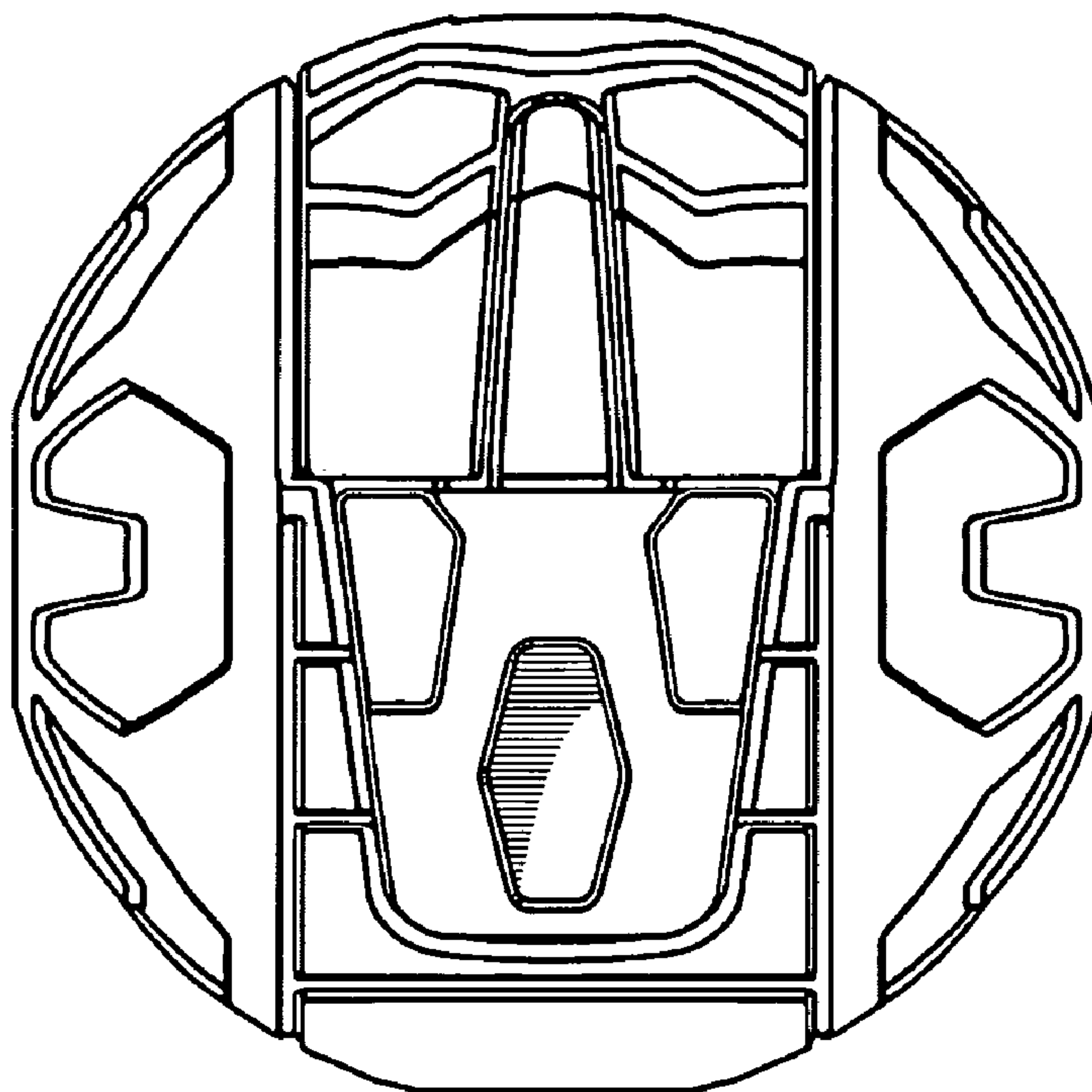
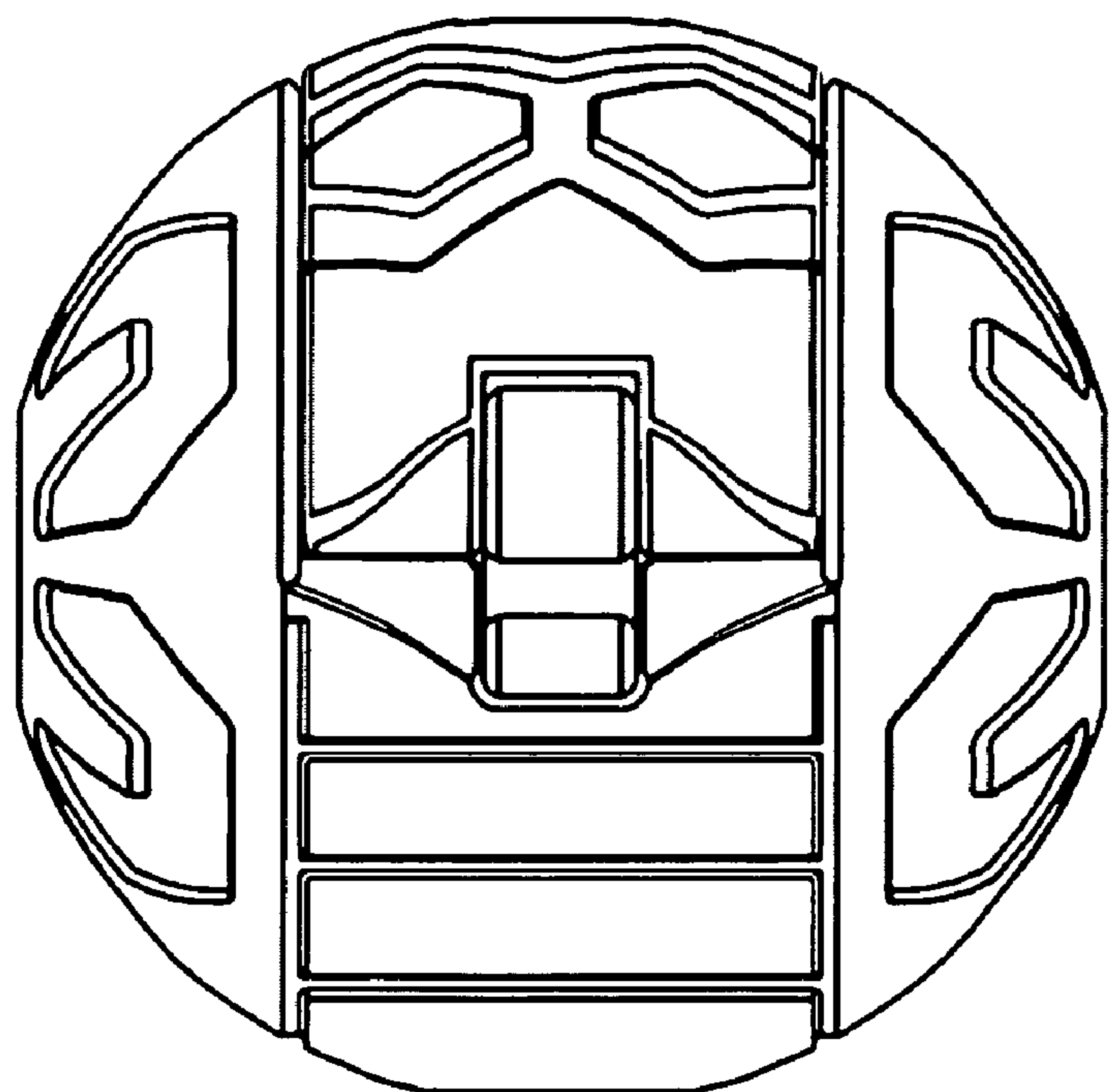


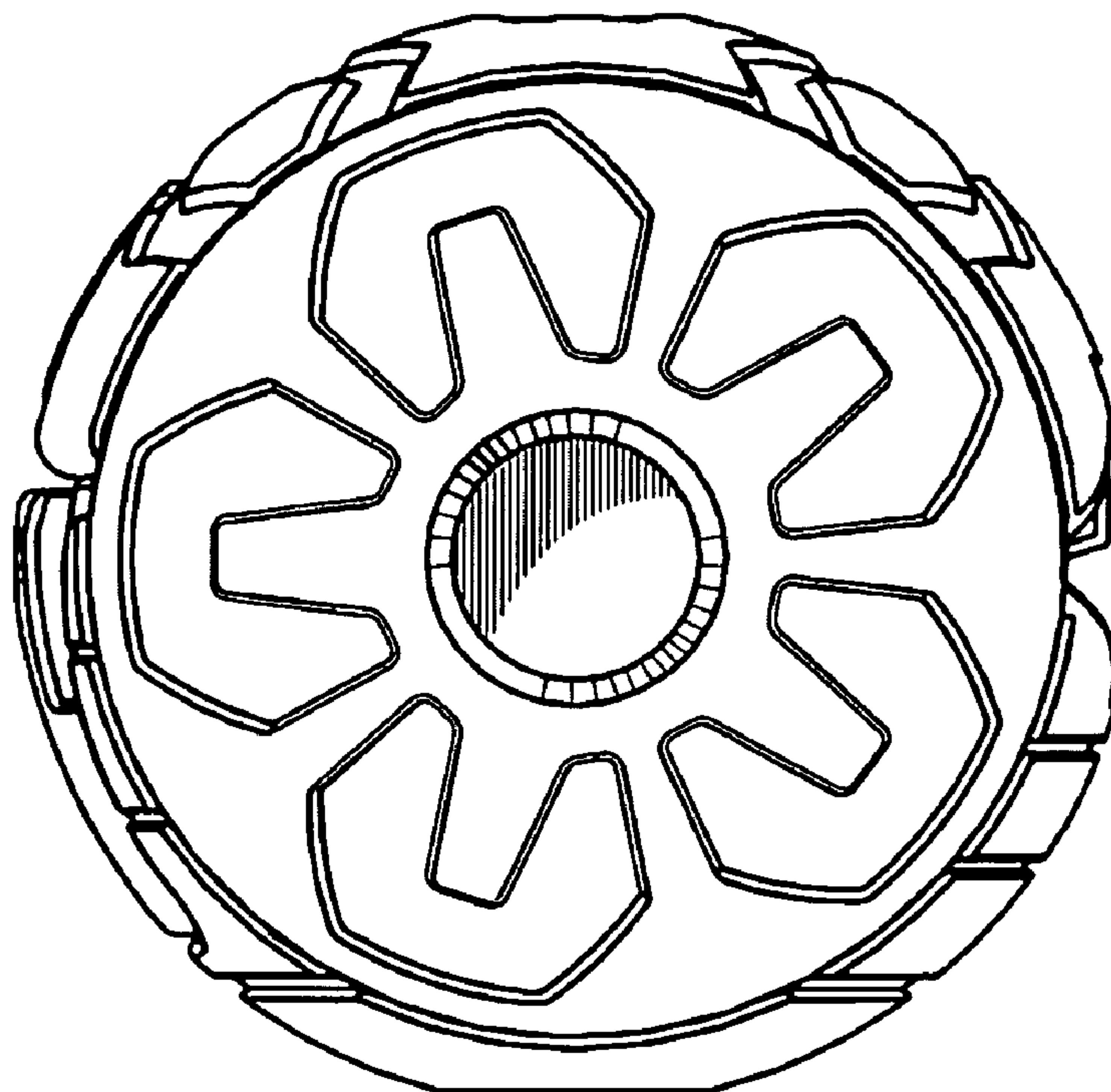
FIG. 11



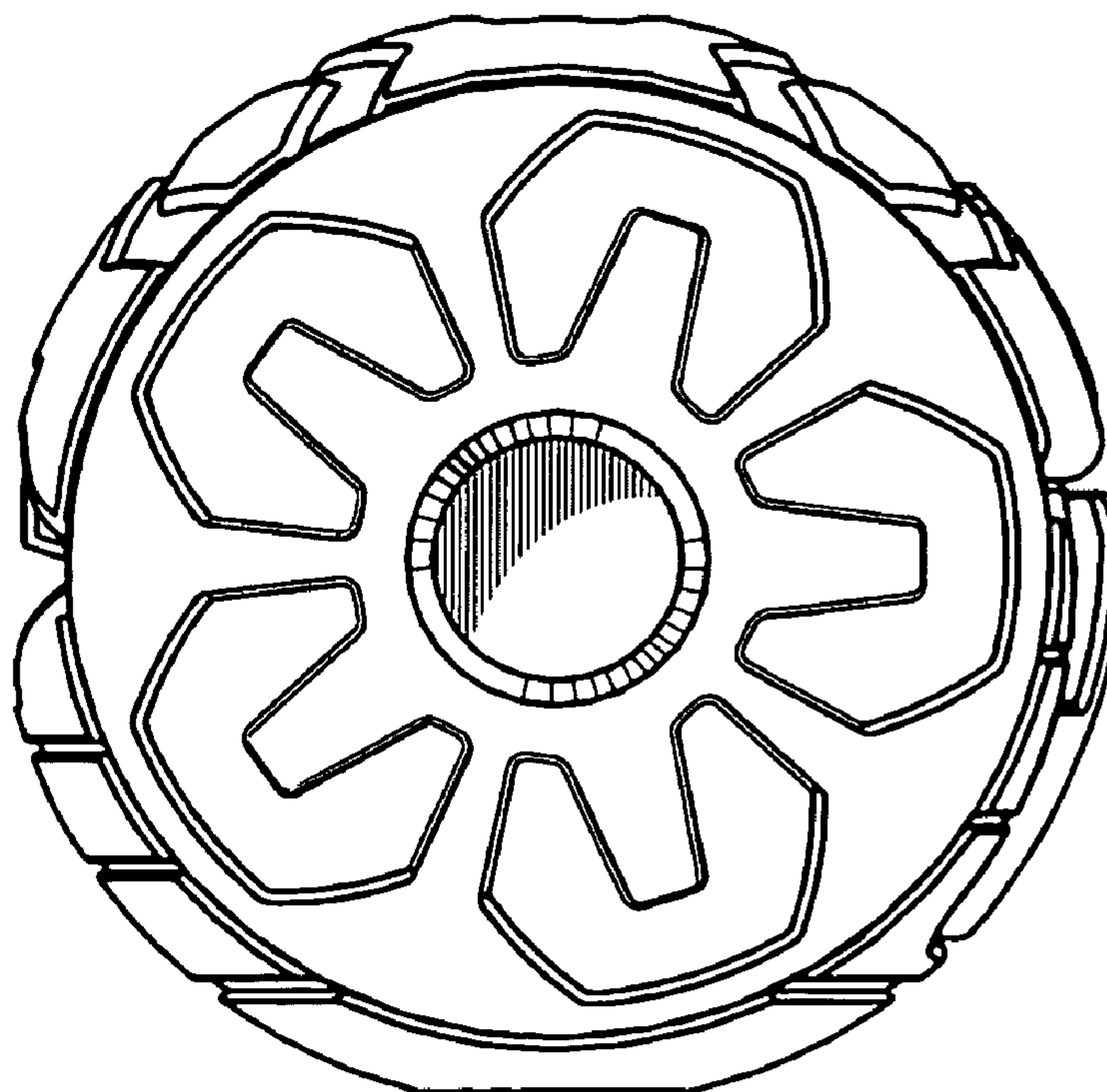
**FIG. 12**



**FIG. 13**



**FIG. 14**



**FIG. 15**