



US00D590451S

(12) **United States Design Patent**
Gold et al.

(10) **Patent No.:** **US D590,451 S**
(45) **Date of Patent:** **** Apr. 14, 2009**

(54) **BATH TOY**

(76) Inventors: **Jonathan Morris Gold**, c/o Brother Max Limited, Calleo House, 49 Theobald Street, Borehamwood (GB) WD6 4RT; **Daniel Jason Tyler**, c/o Brother Max Limited, Calleo House, 49 Theobald Street, Borehamwood (GB) WD6 4RT

(**) Term: **14 Years**

(21) Appl. No.: **29/320,225**

(22) Filed: **Jun. 24, 2008**

(51) **LOC (9) Cl.** **21-01**

(52) **U.S. Cl.** **D21/473**

(58) **Field of Classification Search** D21/398, D21/401-407, 460, 461, 468, 472-476, 483, D21/523, 532; D30/160; D4/116, 127, 138; D7/395, 401.2, 642, 643, 645, 649, 653; D8/303, 307, DIG. 4, DIG. 7; D24/194, D24/195; D17/22, 99; 446/15-21, 144, 446/153, 176, 183, 184, 188, 193, 197, 202, 446/236, 256-266, 267, 418-420, 472, 475, 446/483, 486

See application file for complete search history.

(56) **References Cited**

U.S. PATENT DOCUMENTS

681,499 A * 8/1901 Duffner 446/252

1,418,755 A *	6/1922	Voelchert	446/19
1,528,238 A *	3/1925	Aronson	446/22
2,826,201 A *	3/1958	Yoder	606/235
D248,786 S *	8/1978	Nakao	D21/473
D249,977 S *	10/1978	Kilander	D21/473
D385,925 S *	11/1997	Jensen et al.	D21/406
D419,612 S *	1/2000	Bao	D21/401
6,139,395 A *	10/2000	Liao	446/267
6,645,030 B2 *	11/2003	Coleman et al.	446/73
6,786,251 B2 *	9/2004	Nadel et al.	141/98
D554,817 S *	11/2007	Talesfore et al.	D32/41

* cited by examiner

Primary Examiner—Catherine Tuttle

(57) **CLAIM**

The ornamental design for a bath toy, as shown and described.

DESCRIPTION

FIG. 1 is a perspective view of a bath toy showing our new design;

FIG. 2 is a side elevational view thereof;

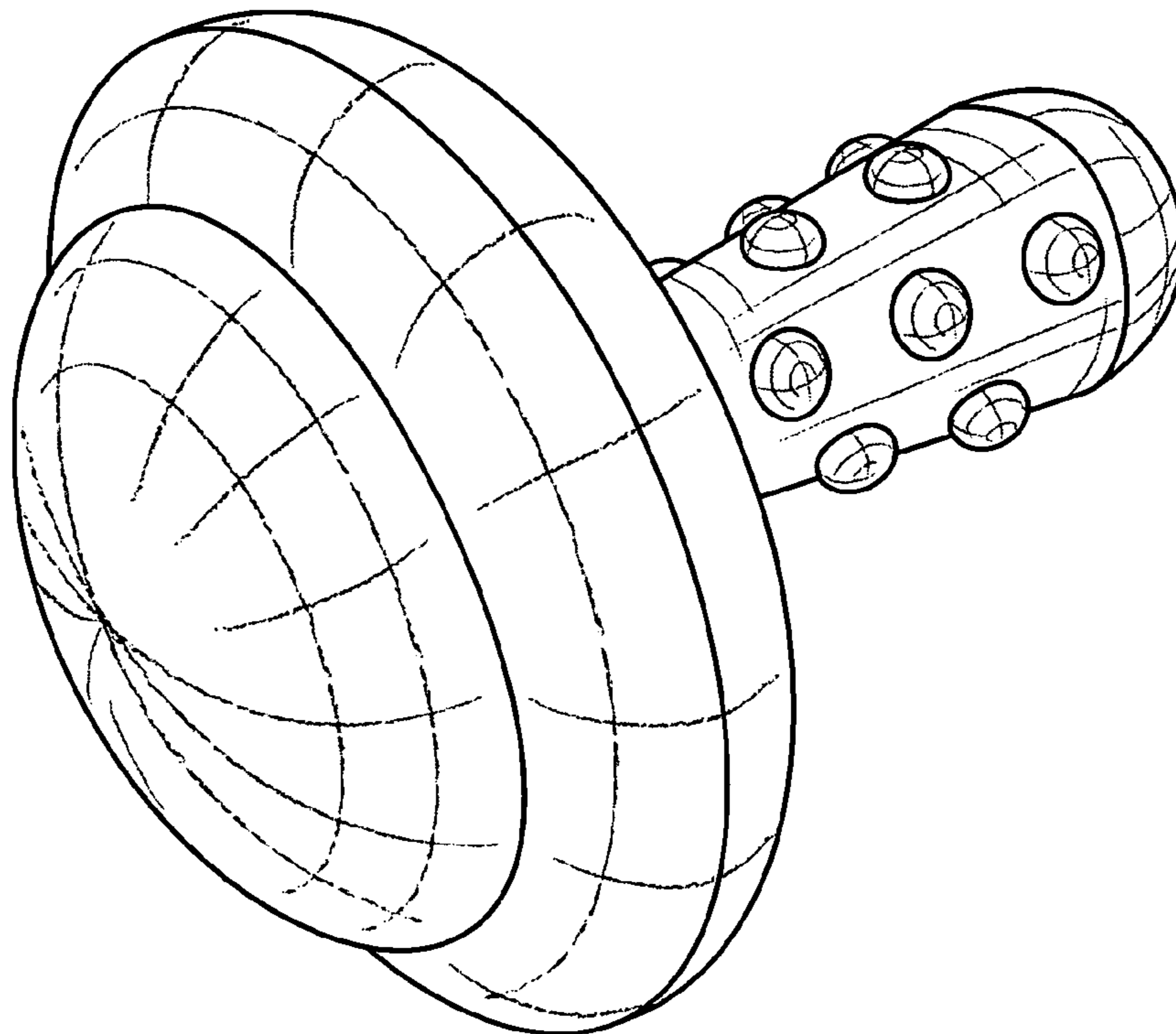
FIG. 3 is a side elevational view thereof, rotated by 90° relative to that view shown in FIG. 2;

FIG. 4 is a bottom plan view thereof; and,

FIG. 5 is a top plan view thereof.

The broken lines are included for the purpose of illustrating portions of the bath toy that form no part of the claimed design.

1 Claim, 5 Drawing Sheets



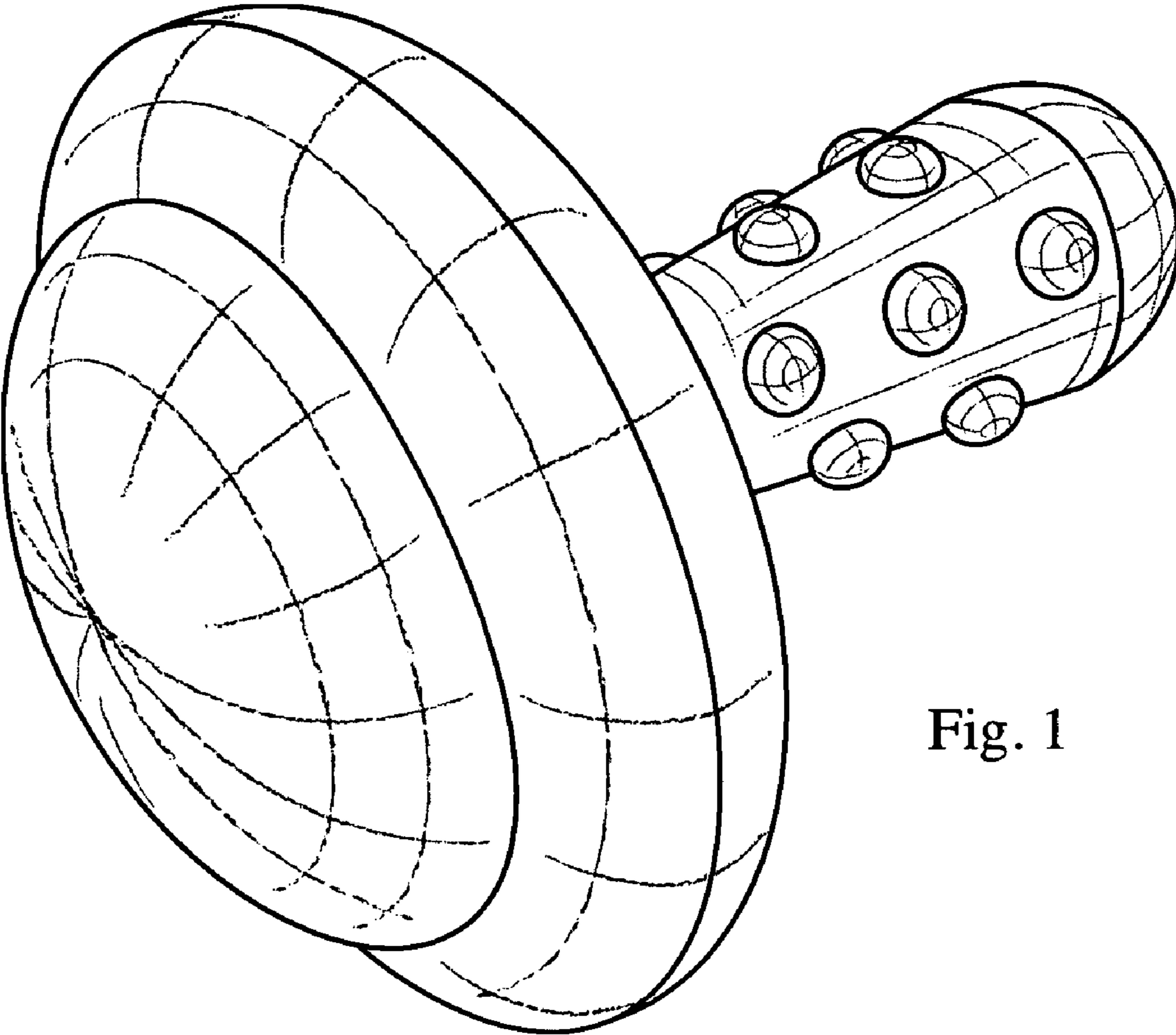


Fig. 1

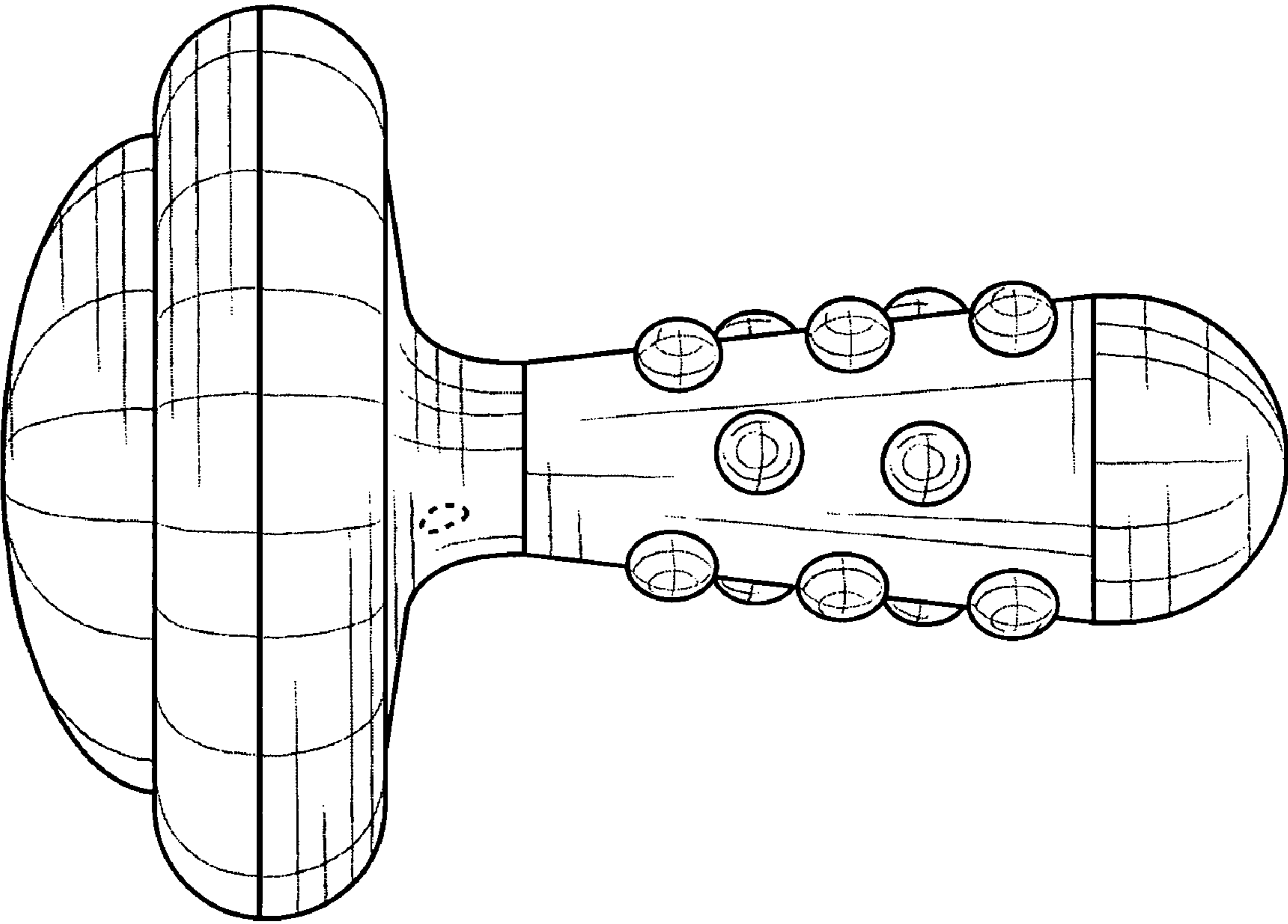


Fig. 2

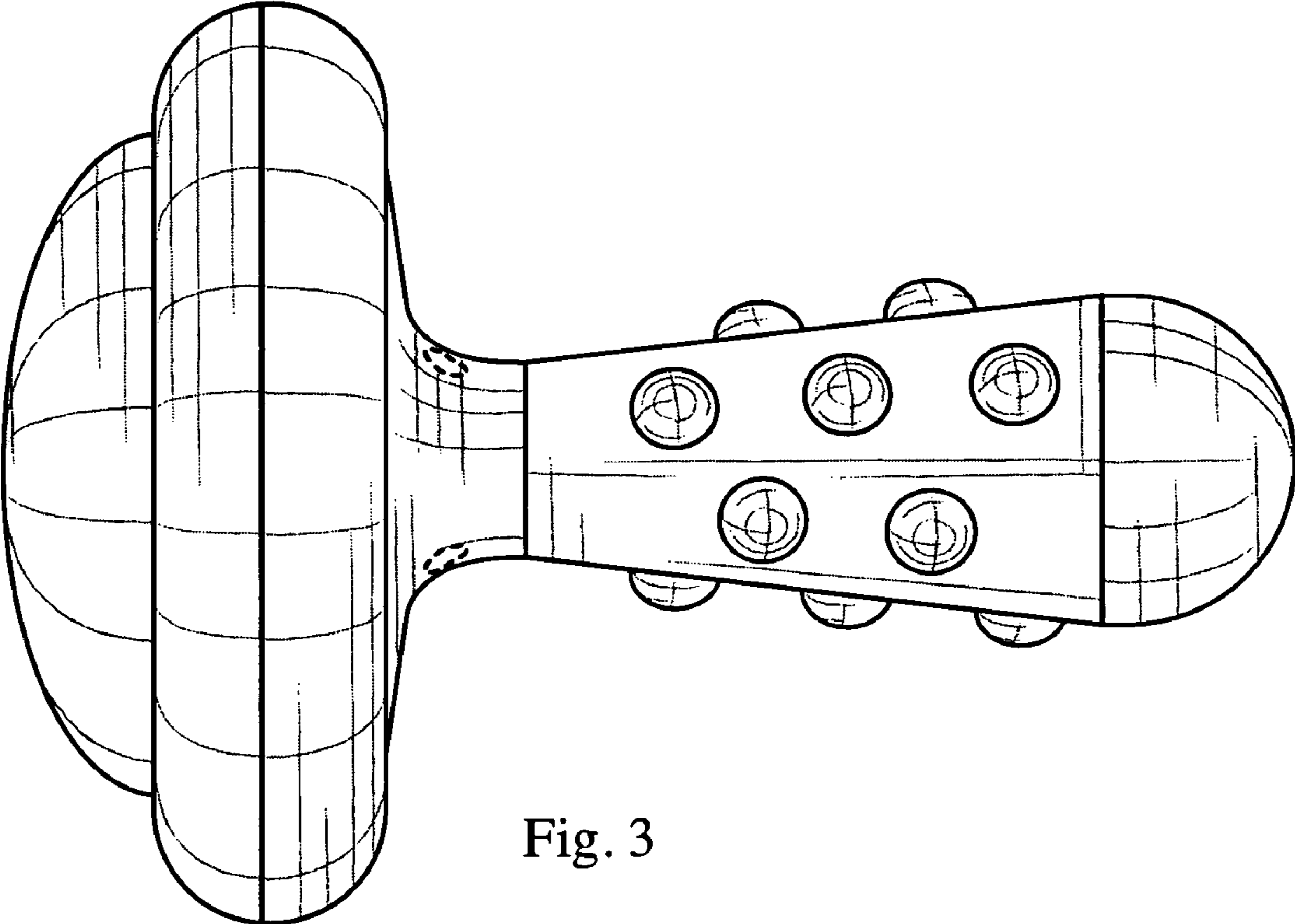


Fig. 3

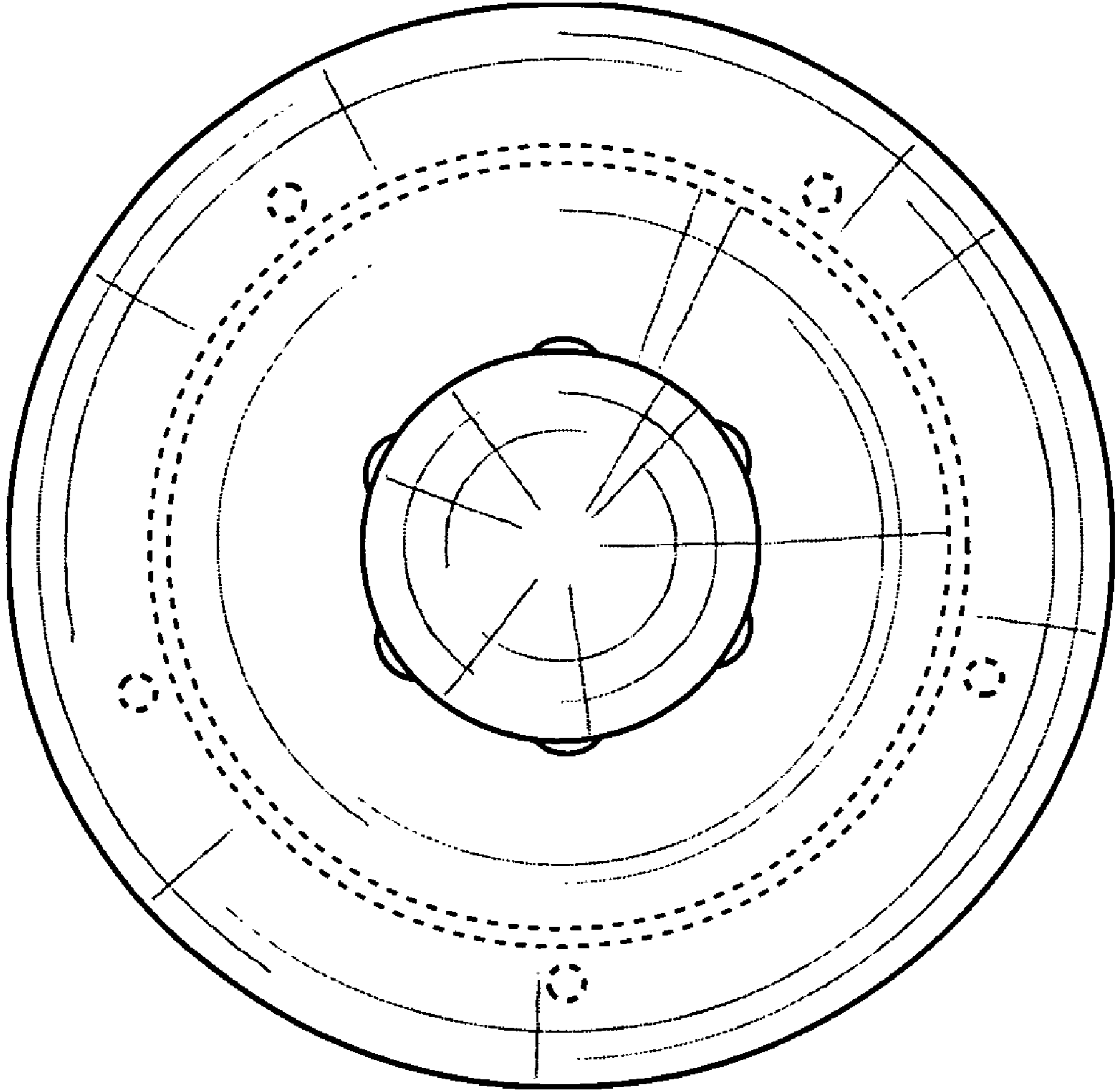


Fig. 4

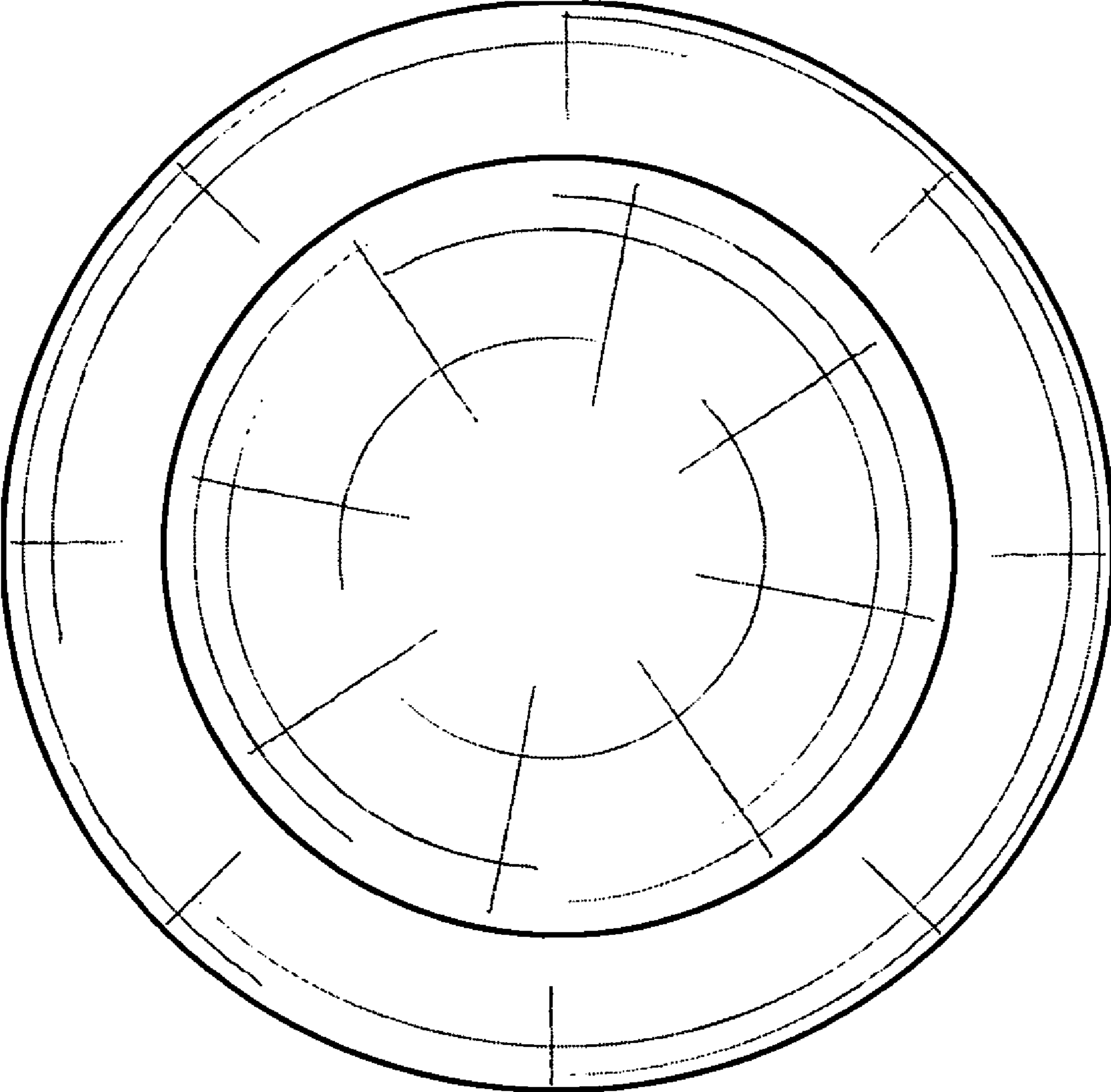


Fig. 5