

US00D590449S

(12) **United States Design Patent**  
**Ishii et al.**

(10) **Patent No.:** **US D590,449 S**  
(45) **Date of Patent:** **\*\* Apr. 14, 2009**

(54) **GAME MACHINE**

(75) Inventors: **Takaaki Ishii**, Tokyo (JP); **Ryo Hine**, Tokyo (JP)

(73) Assignee: **Konami Digital Entertainment Co., Ltd.**, Tokyo (JP)

(\*\*) Term: **14 Years**

(21) Appl. No.: **29/308,193**

(22) Filed: **Jun. 3, 2008**

(30) **Foreign Application Priority Data**

Dec. 6, 2007 (JP) ..... D2007-033435

(51) **LOC (9) Cl.** ..... **21-01**

(52) **U.S. Cl.** ..... **D21/325**

(58) **Field of Classification Search** ..... D21/324, D21/325, 326, 329, 333, 369-371, 385; 273/148 B, 273/138.1, 138.2, 139; 463/16-22, 29-35, 463/47; 345/905

See application file for complete search history.

(56) **References Cited**

**U.S. PATENT DOCUMENTS**

- 4,850,591 A \* 7/1989 Takezawa et al. .... 463/37
- D403,024 S \* 12/1998 Muraki et al. .... D21/326
- 5,951,397 A \* 9/1999 Dickinson ..... 463/36
- D419,606 S \* 1/2000 Toriyama ..... D21/325

- 6,379,249 B1 \* 4/2002 Satsukawa et al. .... 463/31
- 6,461,239 B1 \* 10/2002 Sagawa et al. .... 463/7
- 6,508,707 B2 \* 1/2003 DeMar et al. .... 463/16
- D508,541 S \* 8/2005 Tsujino et al. .... D21/325
- D546,893 S \* 7/2007 Yamashita ..... D21/325
- D566,195 S \* 4/2008 Ichimura et al. .... D21/325
- D570,922 S \* 6/2008 Reetz ..... D21/325

\* cited by examiner

*Primary Examiner*—Prabhakar Deshmukh

(74) *Attorney, Agent, or Firm*—Jordan and Hamburg LLP

(57) **CLAIM**

The ornamental design for a game machine, as shown and described.

**DESCRIPTION**

FIG. 1 is a perspective view of a game machine;

FIG. 2 is a front view thereof;

FIG. 3 is a rear view thereof;

FIG. 4 is a left side view thereof;

FIG. 5 is a right side view thereof;

FIG. 6 is a top view thereof; and,

FIG. 7 is a bottom view thereof.

The broken lines are for illustration purpose only and form no part of the claimed design.

**1 Claim, 4 Drawing Sheets**

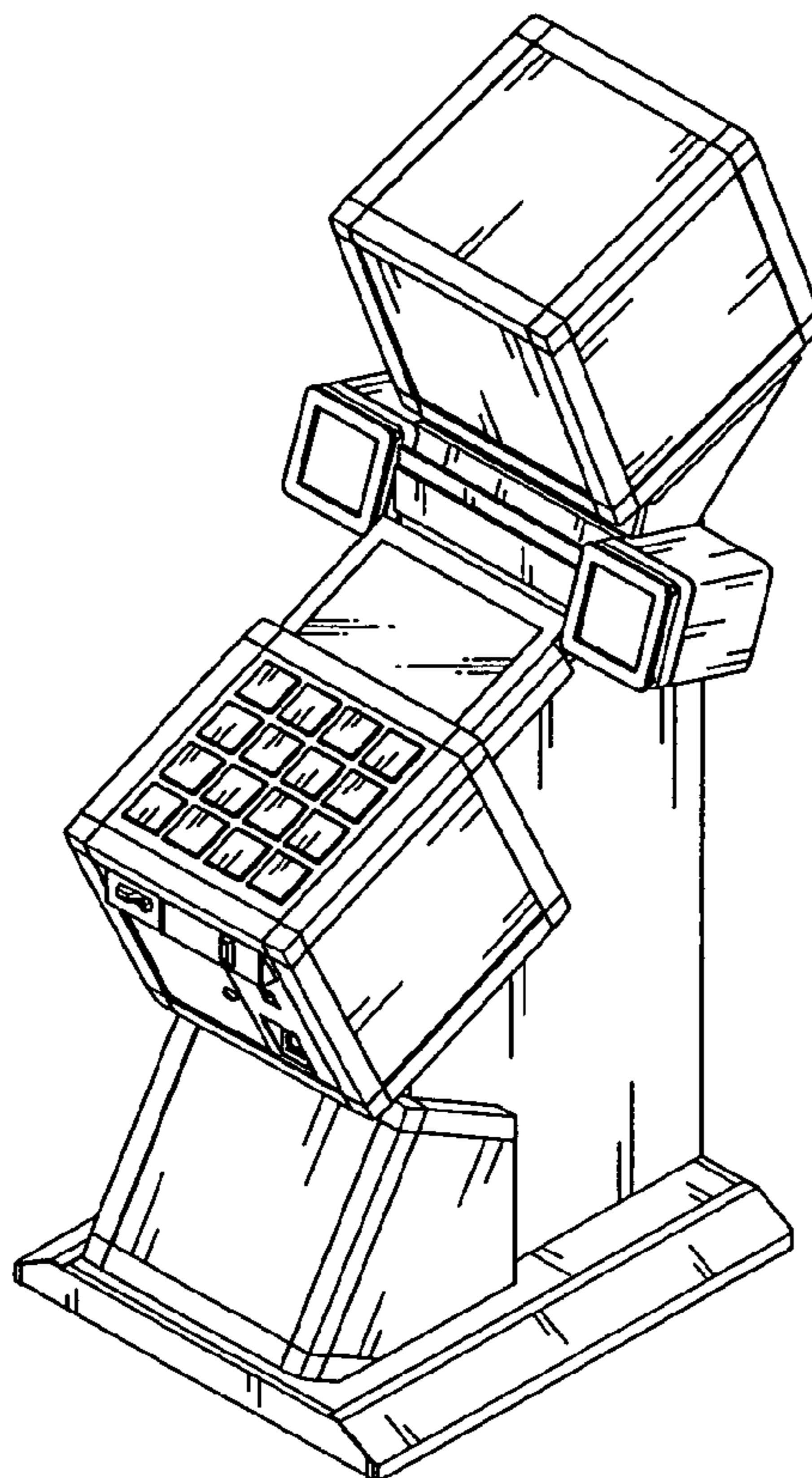


Fig. 1

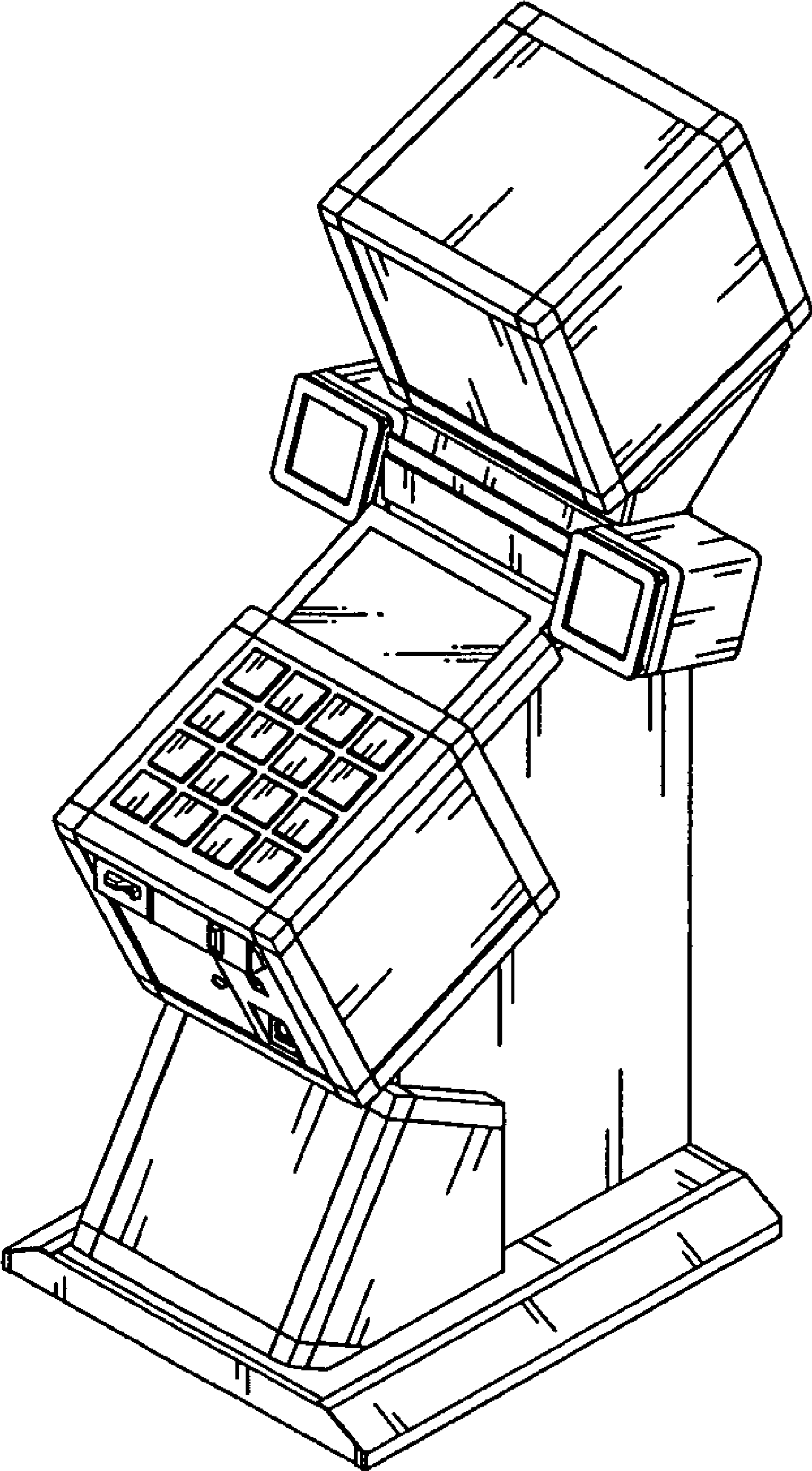


Fig.2

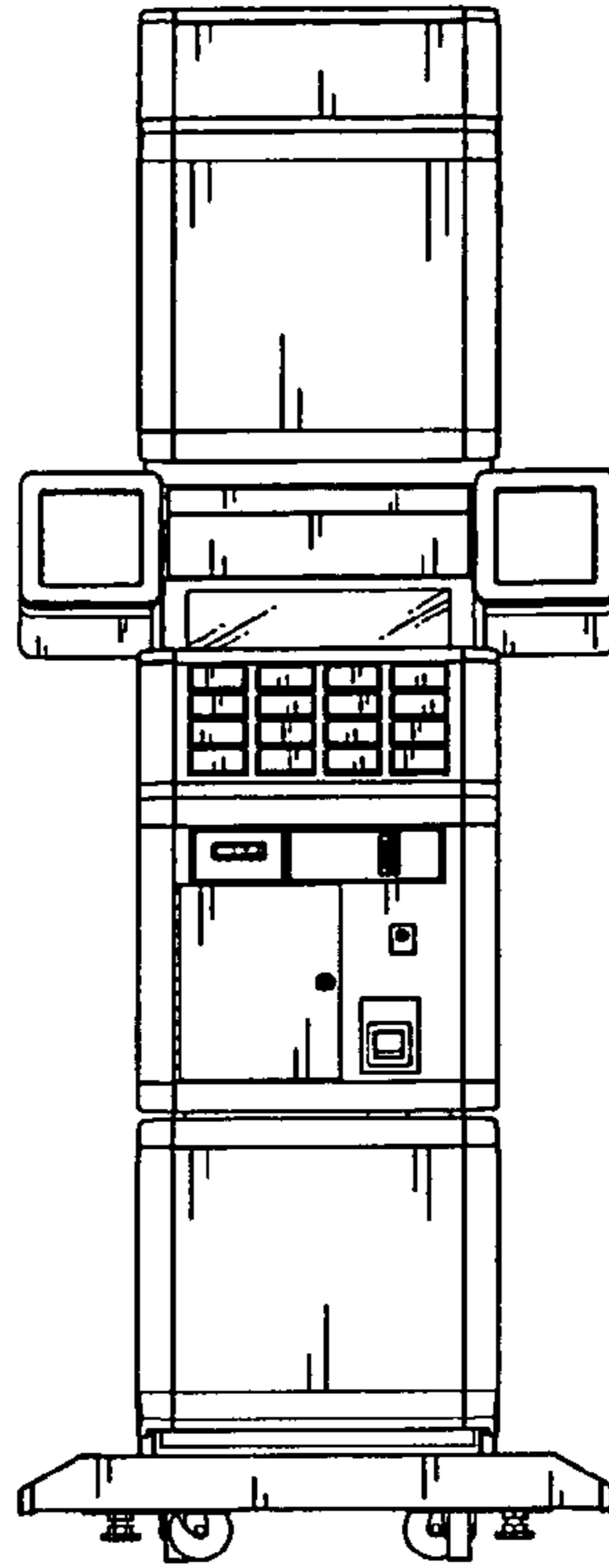


Fig.3

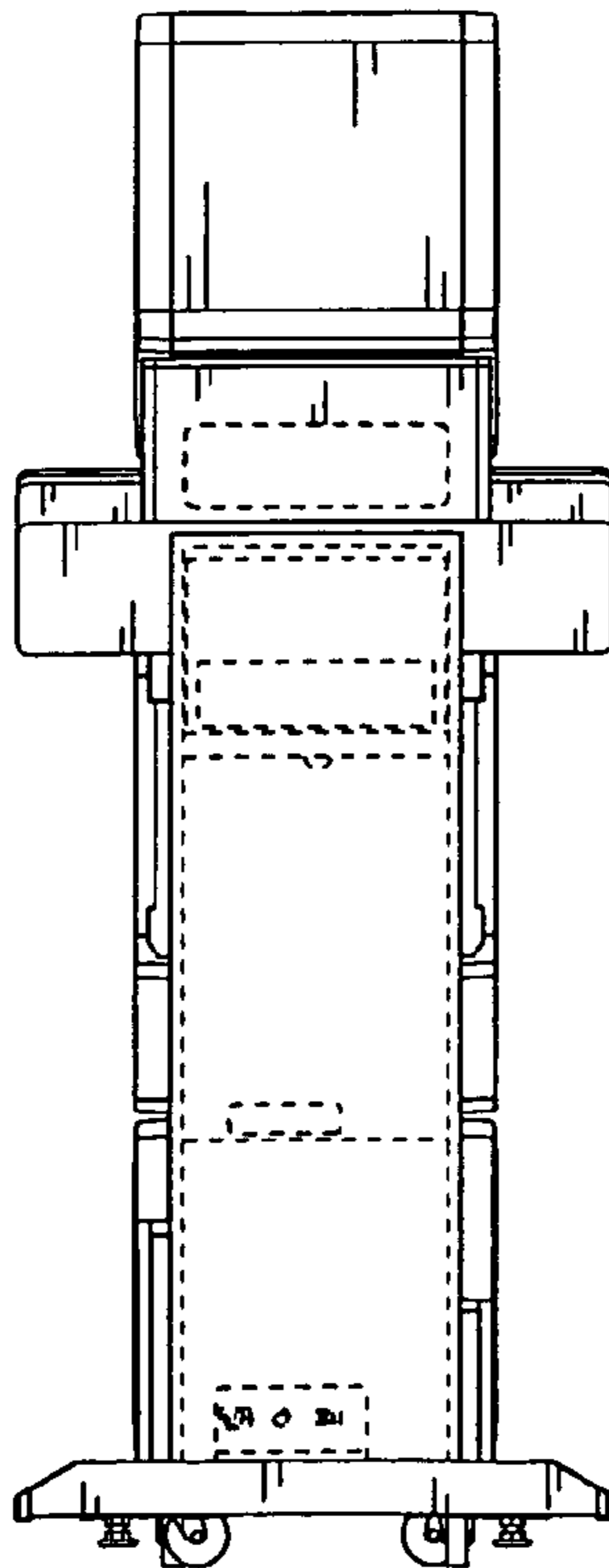


Fig.4

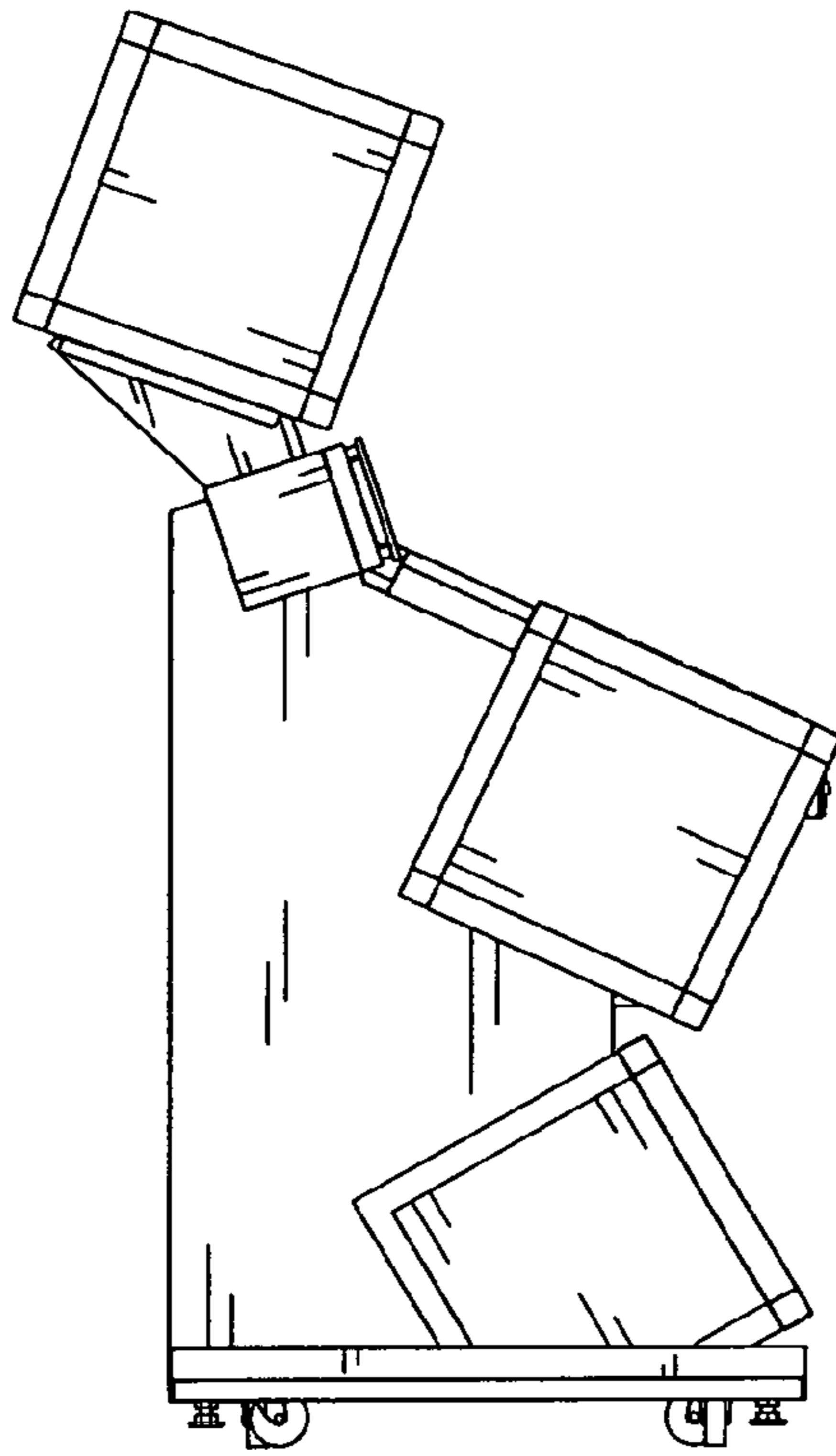


Fig.5

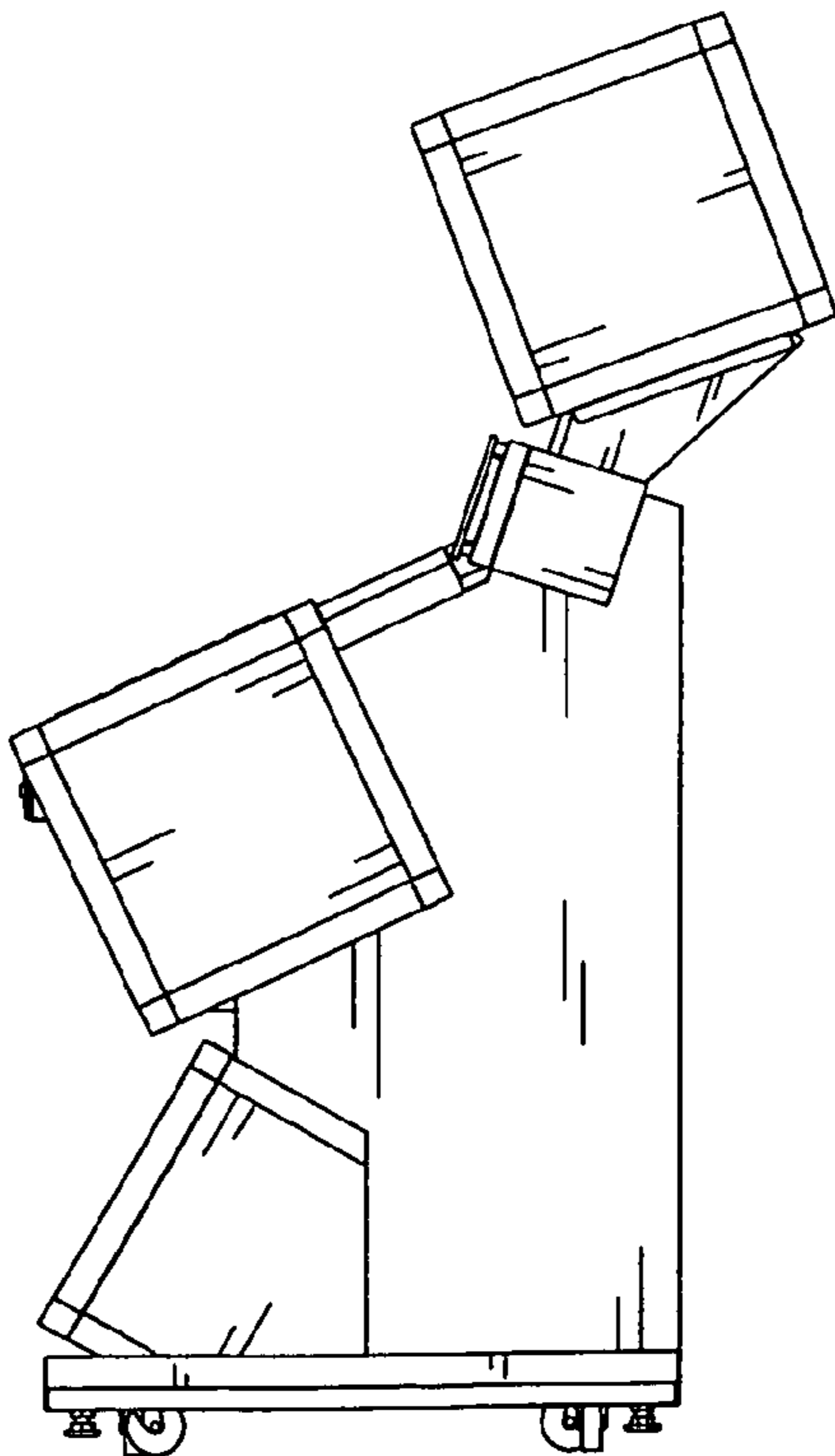


Fig.6

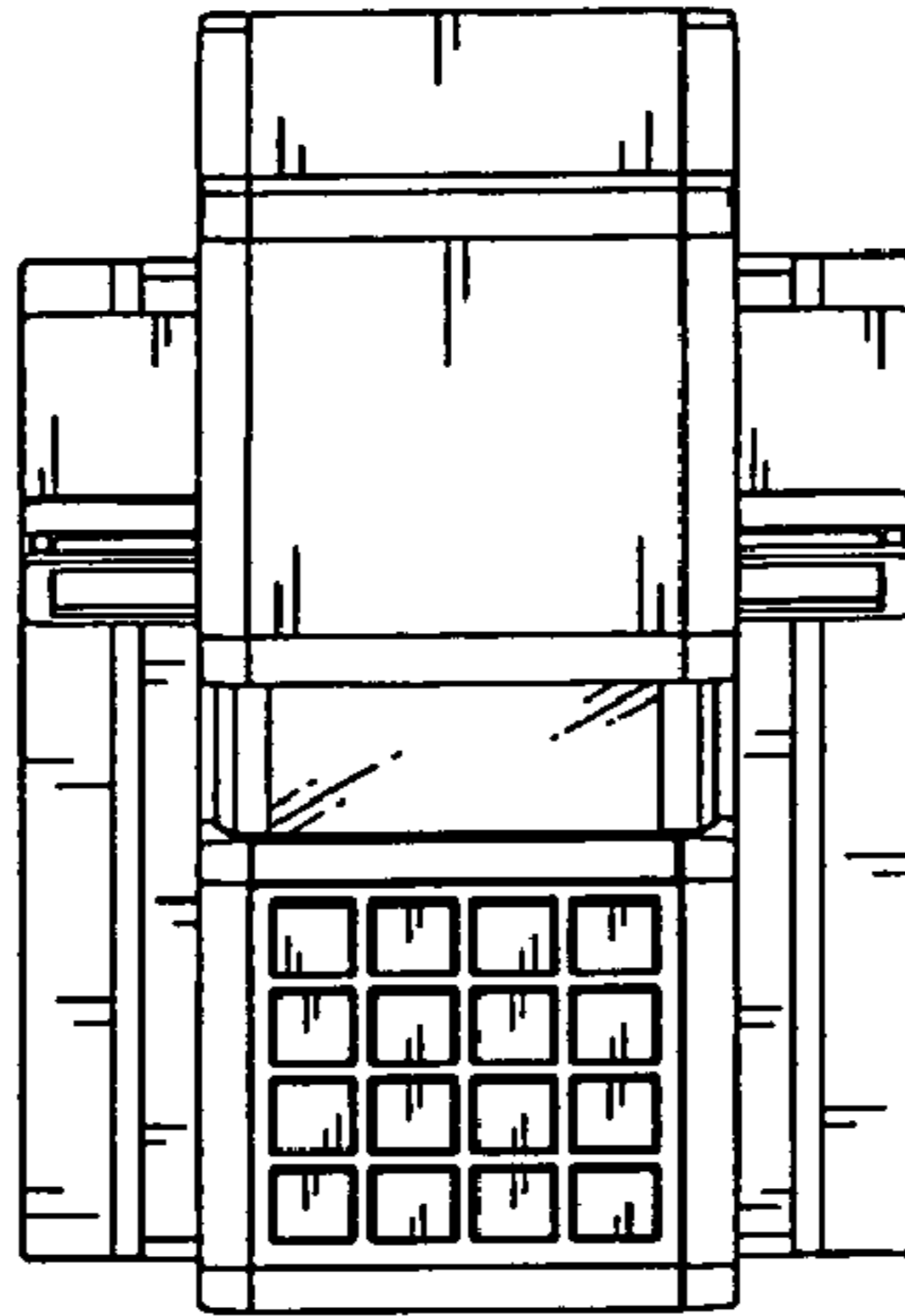


Fig.7

