

US00D590448S

(12) **United States Design Patent**
Dukes et al.

(10) **Patent No.:** **US D590,448 S**
(45) **Date of Patent:** **** Apr. 14, 2009**

(54) **TELESCOPING DISPLAY SYSTEM**

(75) Inventors: **Gary Dukes**, Minneapolis, MN (US);
Angela Morrow, Shakopee, MN (US)

(73) Assignee: **Target Brands, Inc.**, Minneapolis, MN (US)

(**) Term: **14 Years**

(21) Appl. No.: **29/318,522**

(22) Filed: **May 21, 2008**

(51) **LOC (9) Cl.** **20-02**

(52) **U.S. Cl.** **D20/42; D20/43**

(58) **Field of Classification Search** D20/10,
D20/19, 42-44, 99; 40/1, 341, 388, 397,
40/605, 607.04, 611.06, 611.07, 640.02,
40/642.01, 642.02, 644, 657, 661.03, 662;
D6/567; D8/87.01, 124; 248/201, 205.1,
248/220.22, 220.31, 220.41

See application file for complete search history.

(56) **References Cited**

U.S. PATENT DOCUMENTS

3,021,958 A * 2/1962 Winkler 211/124

(Continued)

Primary Examiner—Janice E Seeger

Assistant Examiner—Mary Ann Calabrese

(74) *Attorney, Agent, or Firm*—Faegre & Benson LLP

(57) **CLAIM**

The ornamental design for a telescoping display system, as shown and described.

DESCRIPTION

FIG. 1 is an isometric view of a telescoping display system, according to the invention;

FIG. 2 is an isometric view thereof used in conjunction with a display panel;

FIG. 3 is a front view thereof used in conjunction with a display panel;

FIG. 4 is a rear view thereof used in conjunction with a display panel;

FIG. 5 is a right view thereof used in conjunction with a display panel;

FIG. 6 is a left view thereof used in conjunction with a display panel;

FIG. 7 is a top side view thereof used in conjunction with a display panel;

FIG. 8 is a bottom side view thereof used in conjunction with a display panel;

FIG. 9 is a view of the telescoping display system in an alternate position of use;

FIG. 10 is an isometric view thereof used in conjunction with a display panel;

FIG. 11 is front view thereof used in conjunction with a display panel;

FIG. 12 is a rear view thereof used in conjunction with a display panel;

FIG. 13 is a right view thereof used in conjunction with a display panel;

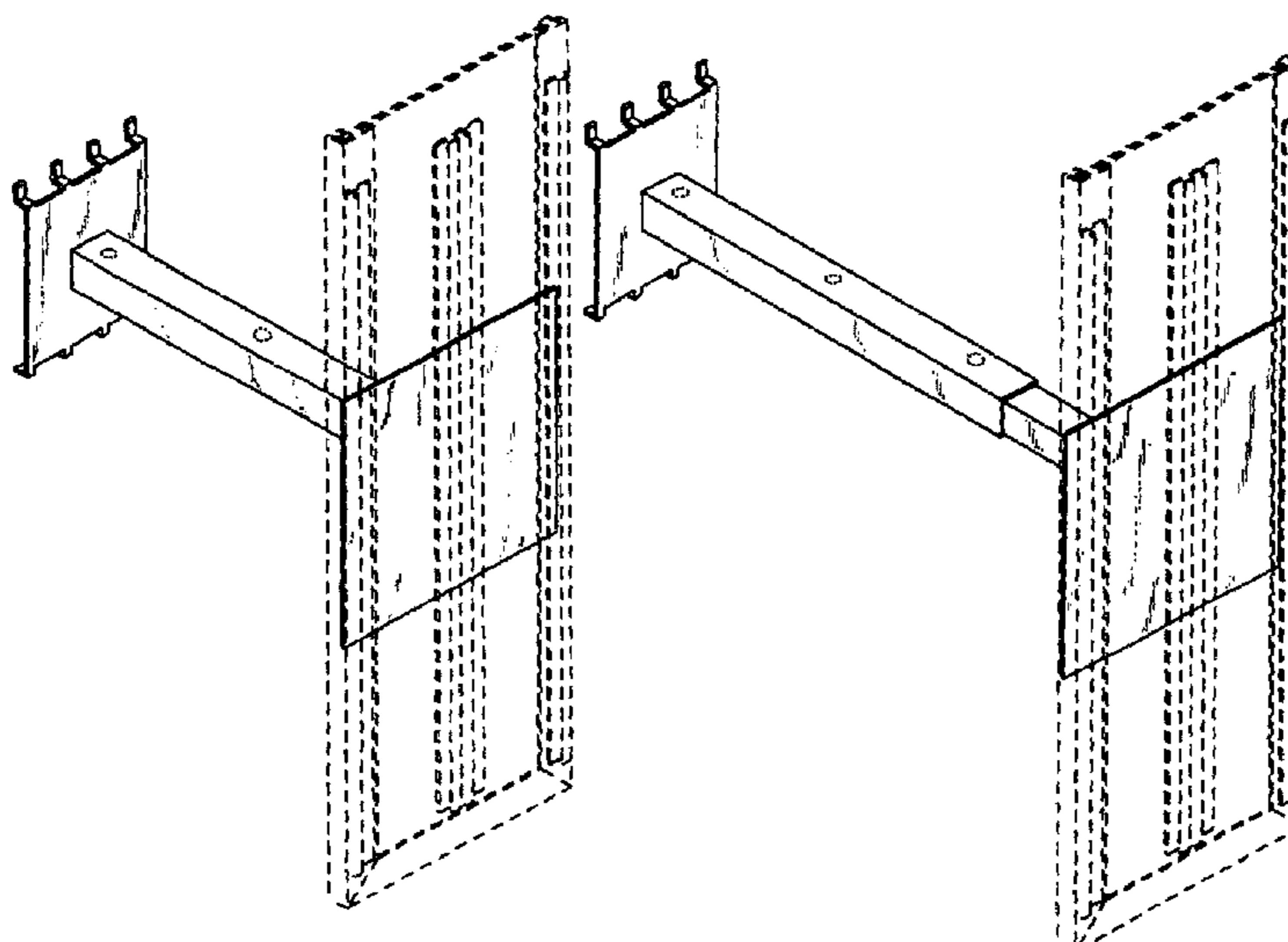
FIG. 14 is a left view thereof used in conjunction with a display panel;

FIG. 15 is a top side view thereof used in conjunction with a display panel; and,

FIG. 16 is a bottom side view thereof used in conjunction with a display panel.

In the drawings, the broken lines designate optional unclaimed features and are for illustrative purposes only and form no part of the claimed design.

1 Claim, 8 Drawing Sheets



US D590,448 S

Page 2

U.S. PATENT DOCUMENTS

3,610,425	A *	10/1971	Madey	248/220.22	5,465,516	A	11/1995	Stabile
4,909,464	A	3/1990	Levine et al.		5,511,332	A	4/1996	Sturkie et al.
4,957,256	A	9/1990	Boeding		5,657,884	A	8/1997	Zilincar, III
4,976,058	A *	12/1990	Valiulis	40/657	5,678,794	A	10/1997	Kump
5,012,997	A *	5/1991	Hutchison	248/220.41	6,070,747	A	6/2000	Shea
D319,886	S	9/1991	Simpson et al.		D435,435	S	12/2000	Shea
5,082,215	A *	1/1992	Hutchison	248/220.22	6,189,247	B1	2/2001	Gebka
5,123,189	A *	6/1992	Fast et al.	40/642.01	6,199,706	B1	3/2001	Shea
5,235,766	A *	8/1993	Fast et al.	40/642.01	D464,837	S	10/2002	Shea
5,261,175	A *	11/1993	Gebka	40/642.01	D466,352	S	12/2002	Shea
5,325,616	A *	7/1994	Valiulis	40/642.01	6,694,654	B2 *	2/2004	Poulokefalos et al. 40/642.01
5,429,334	A *	7/1995	Hutchison	248/220.41	D562,113	S *	2/2008	Ciungan et al. D8/363
5,437,116	A	8/1995	Hardy		2008/0073469	A1 *	3/2008	Mushan et al. 248/205.1

* cited by examiner

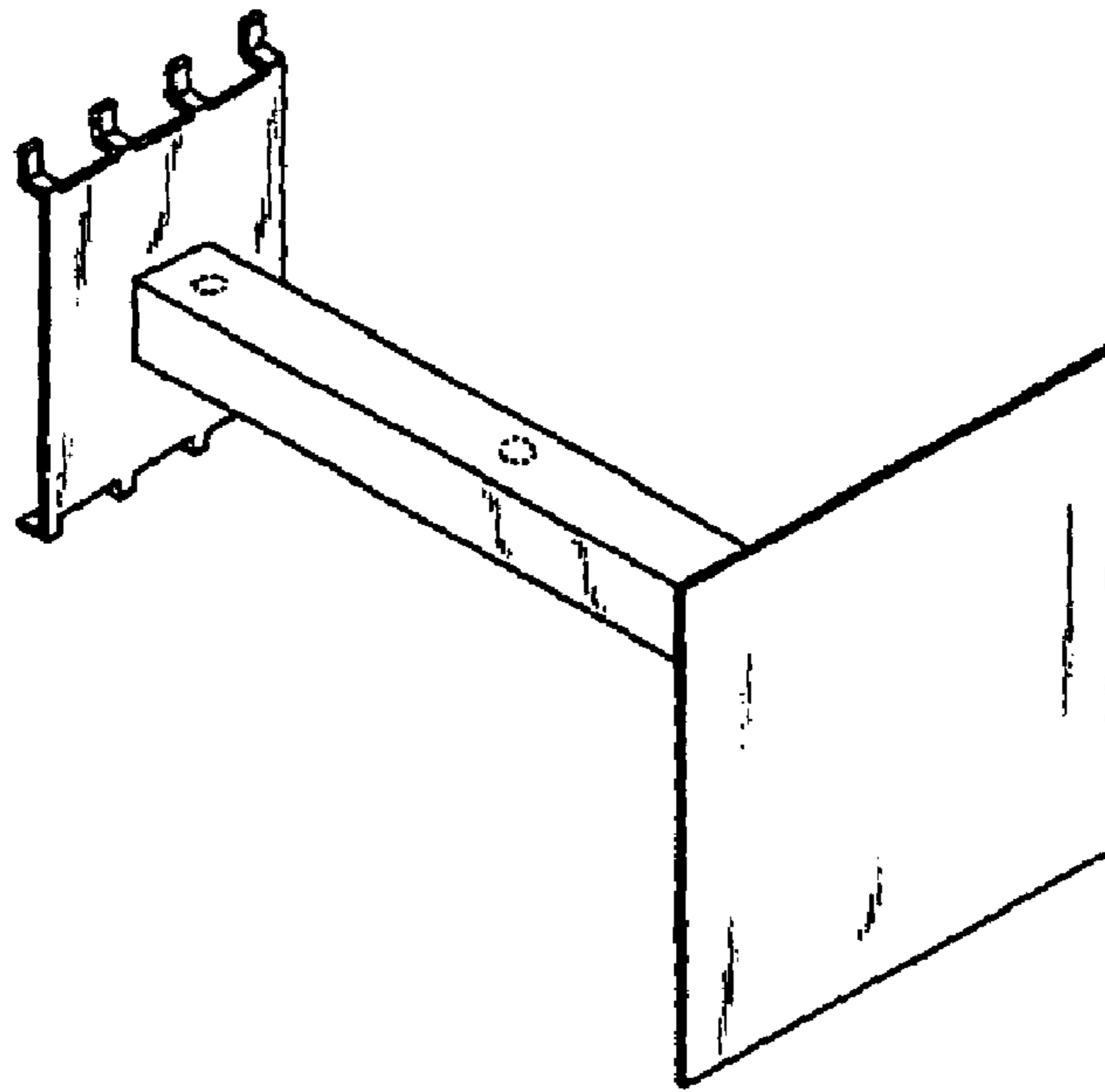


FIG. 1

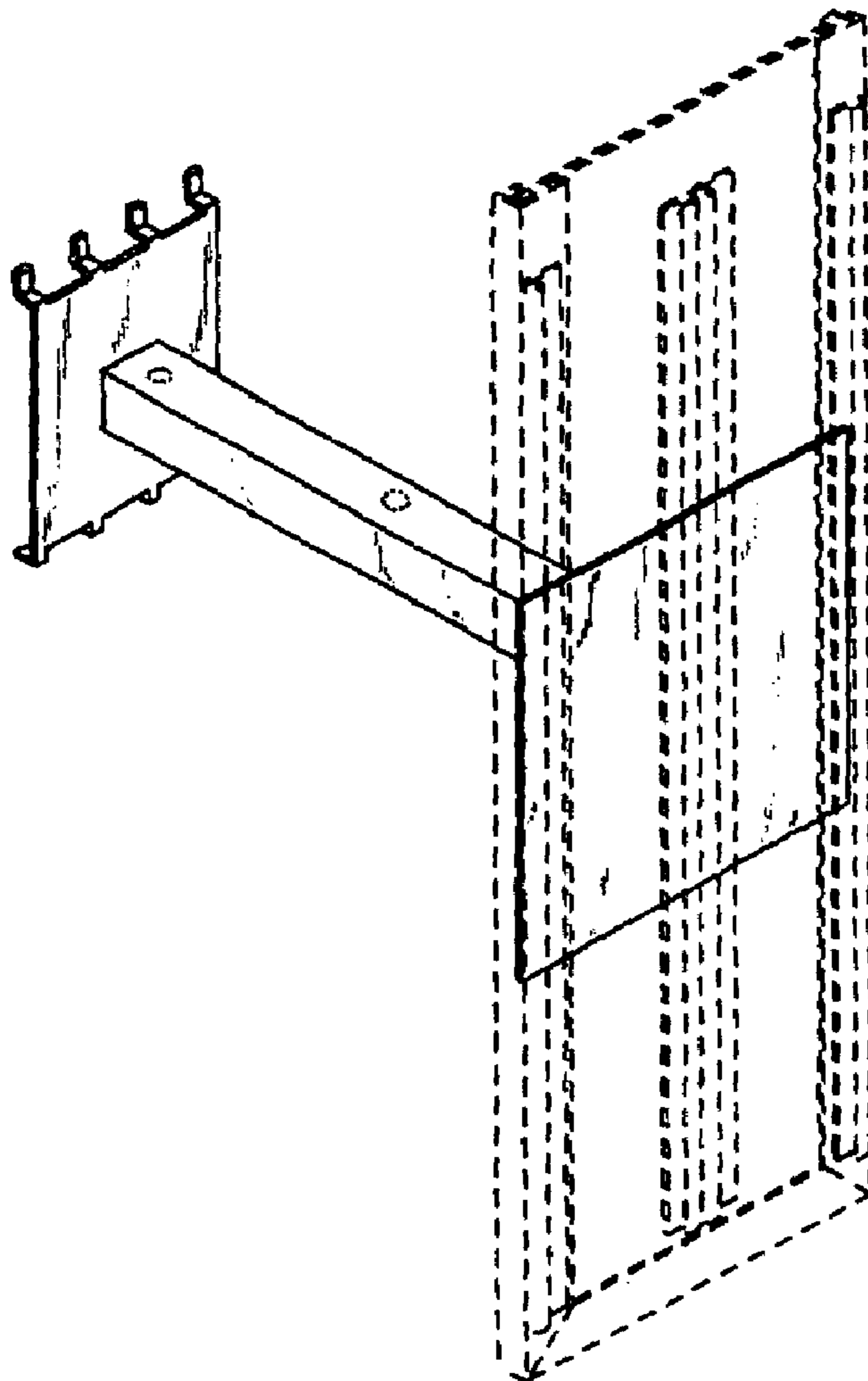


FIG. 2

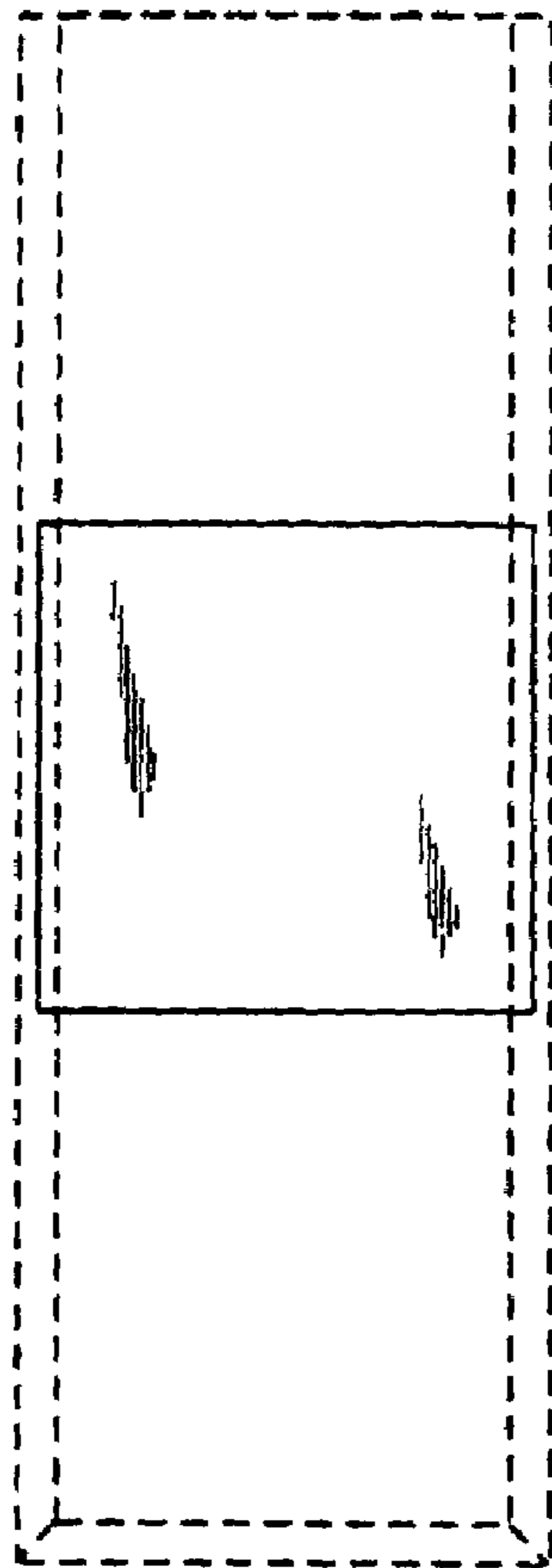


FIG. 3

FIG. 4

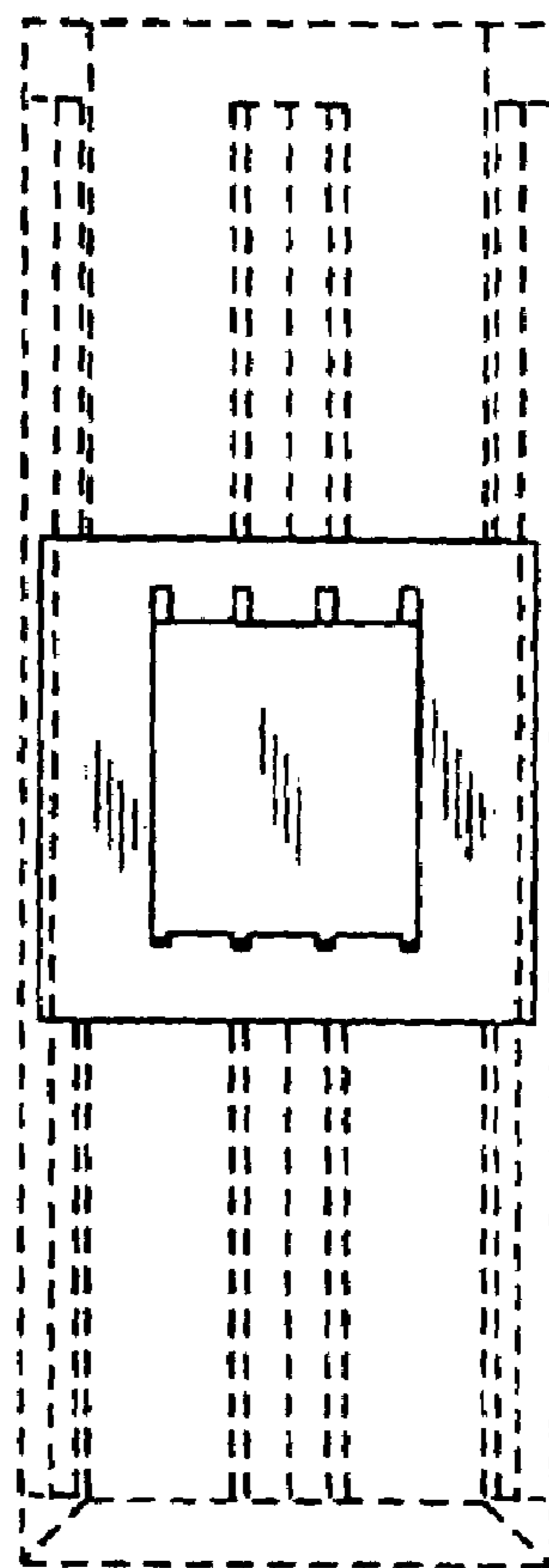


FIG. 5

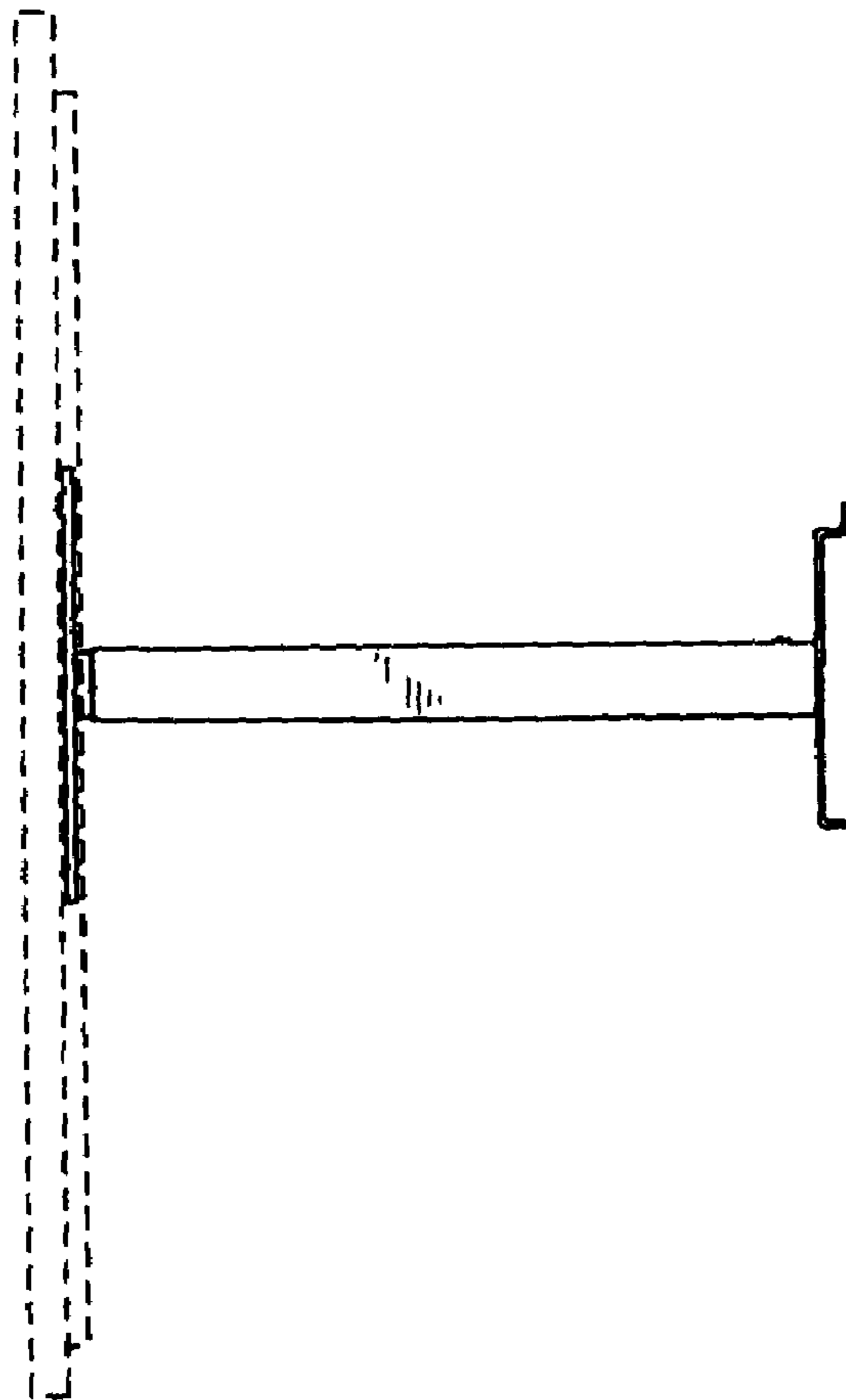
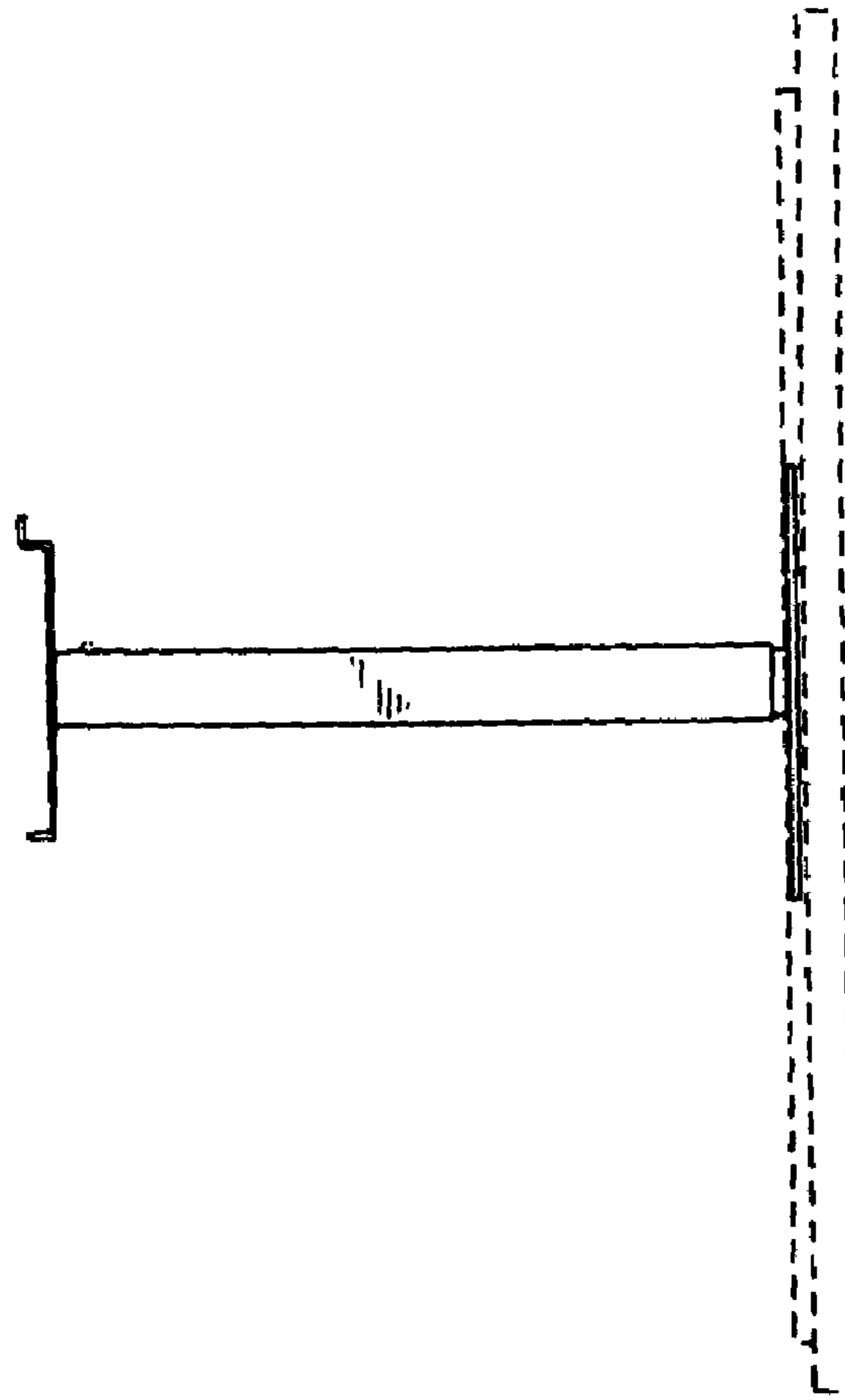


FIG. 6

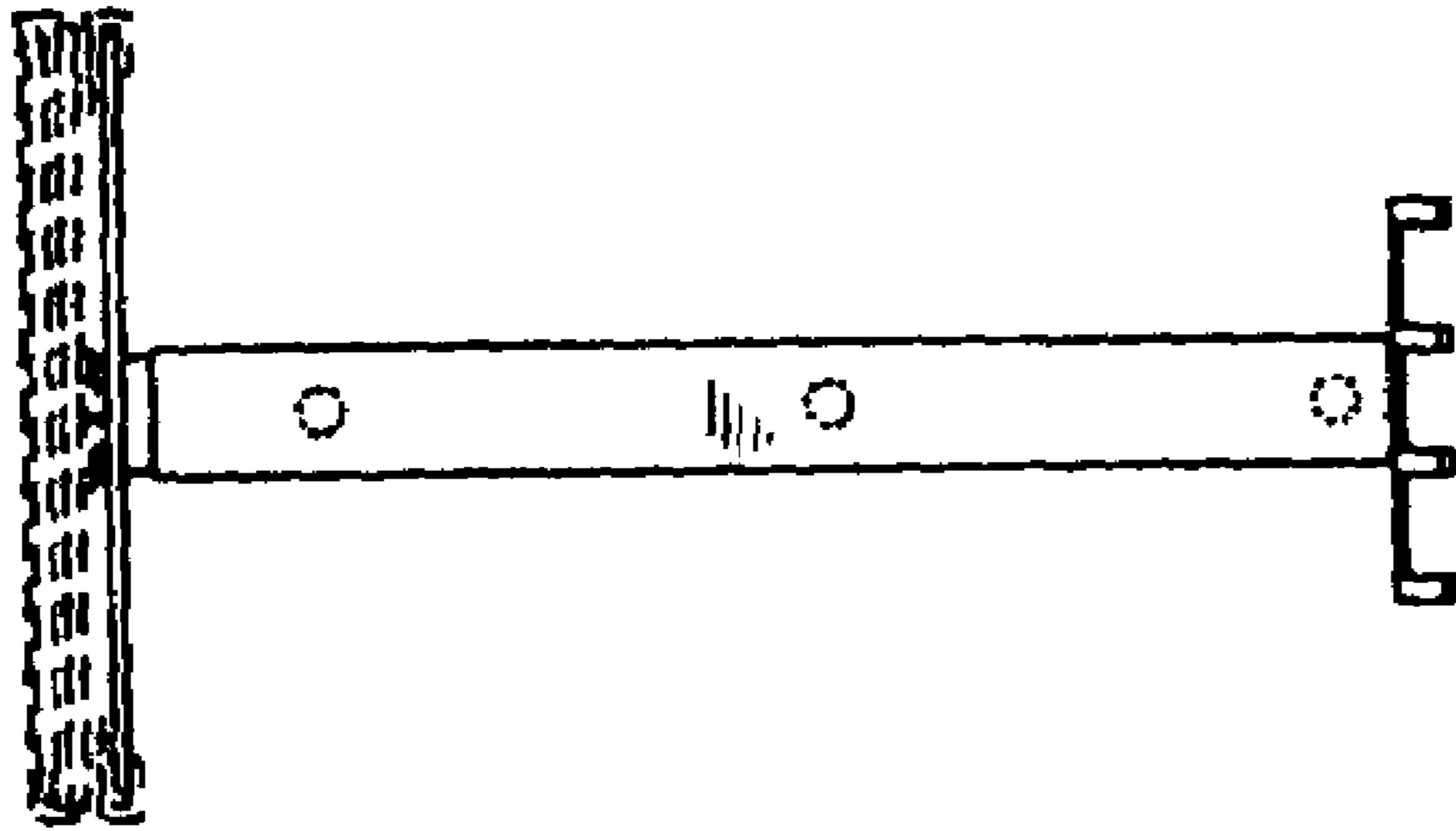


FIG. 7

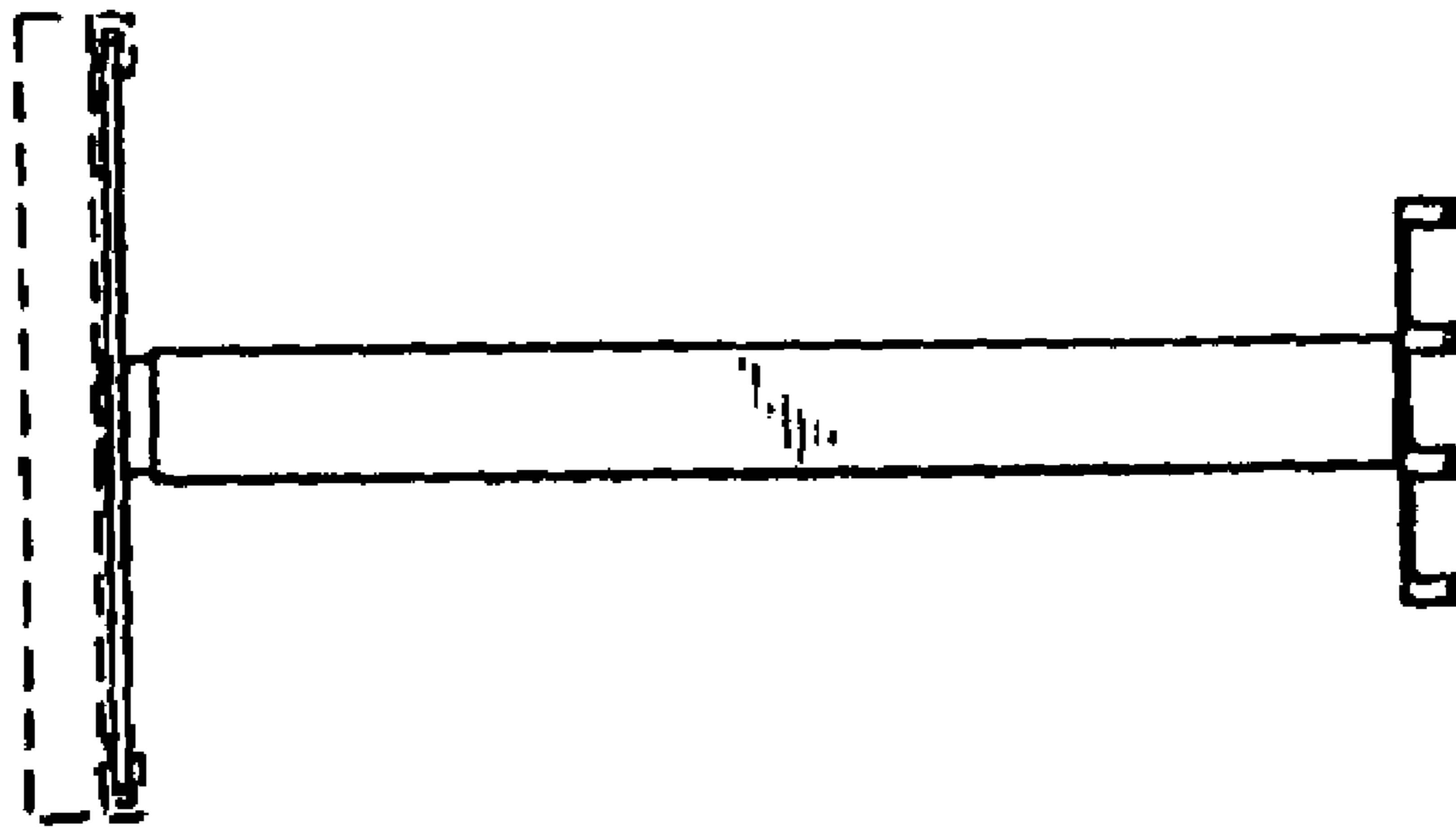


FIG. 8

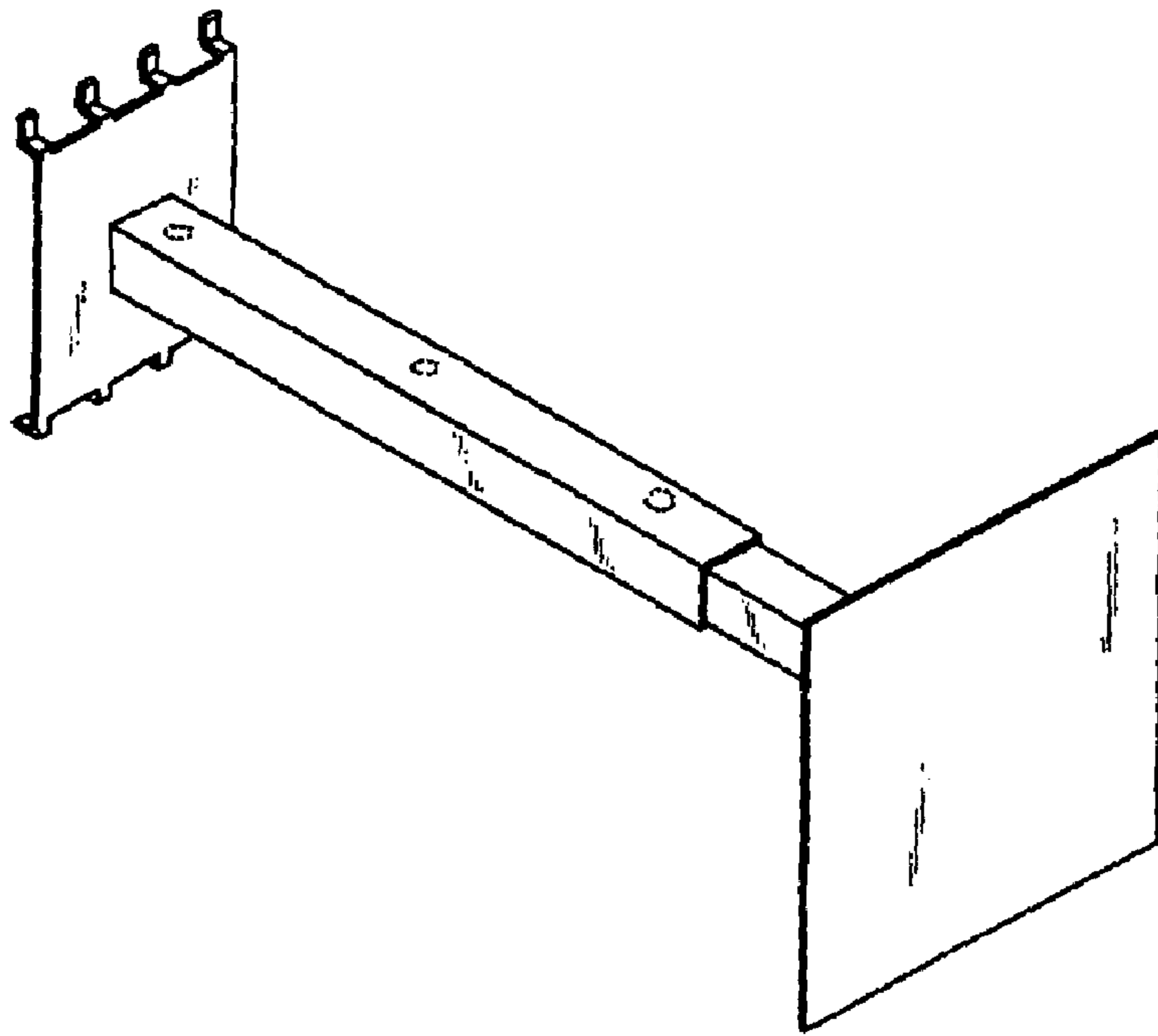


FIG. 9

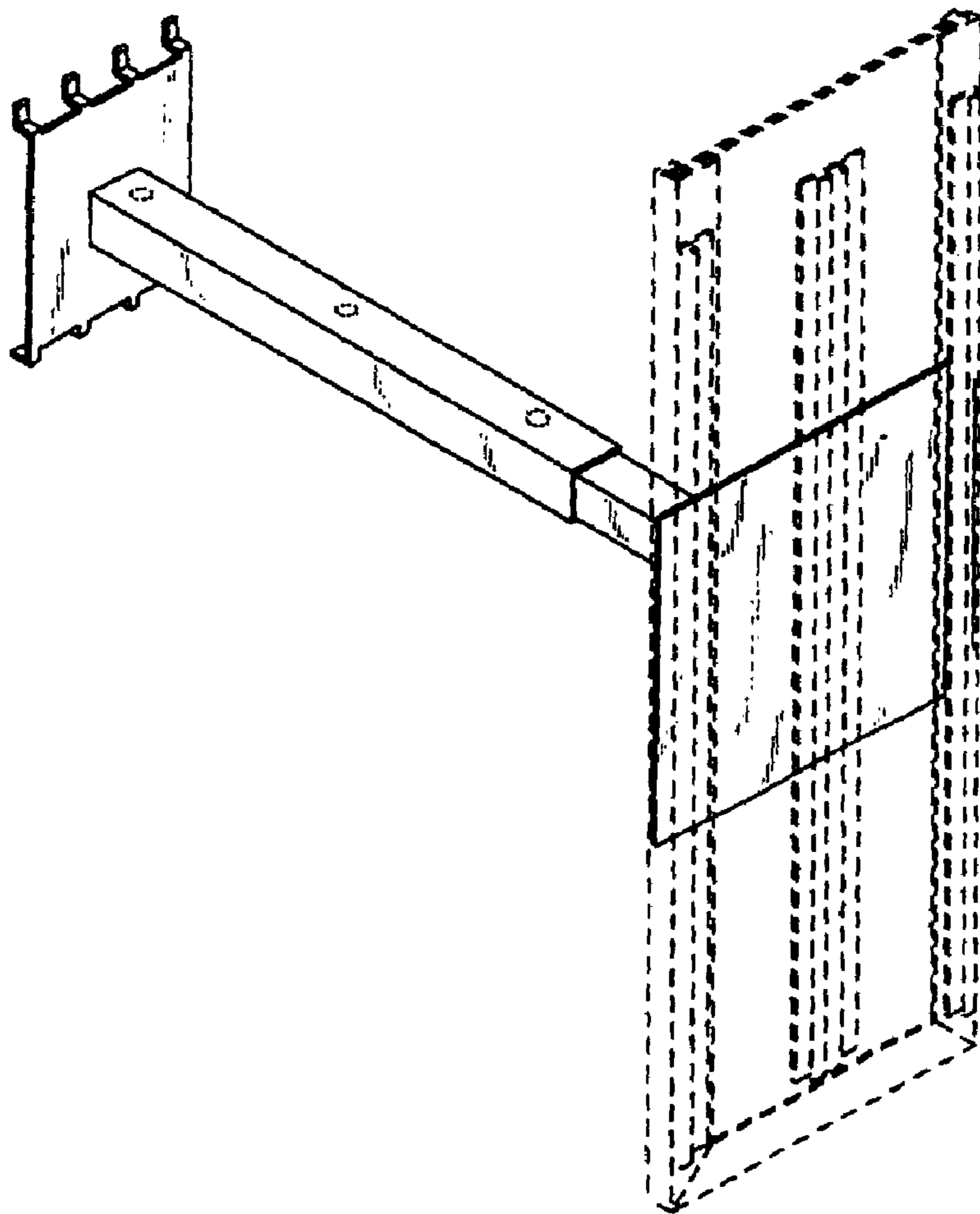


FIG. 10

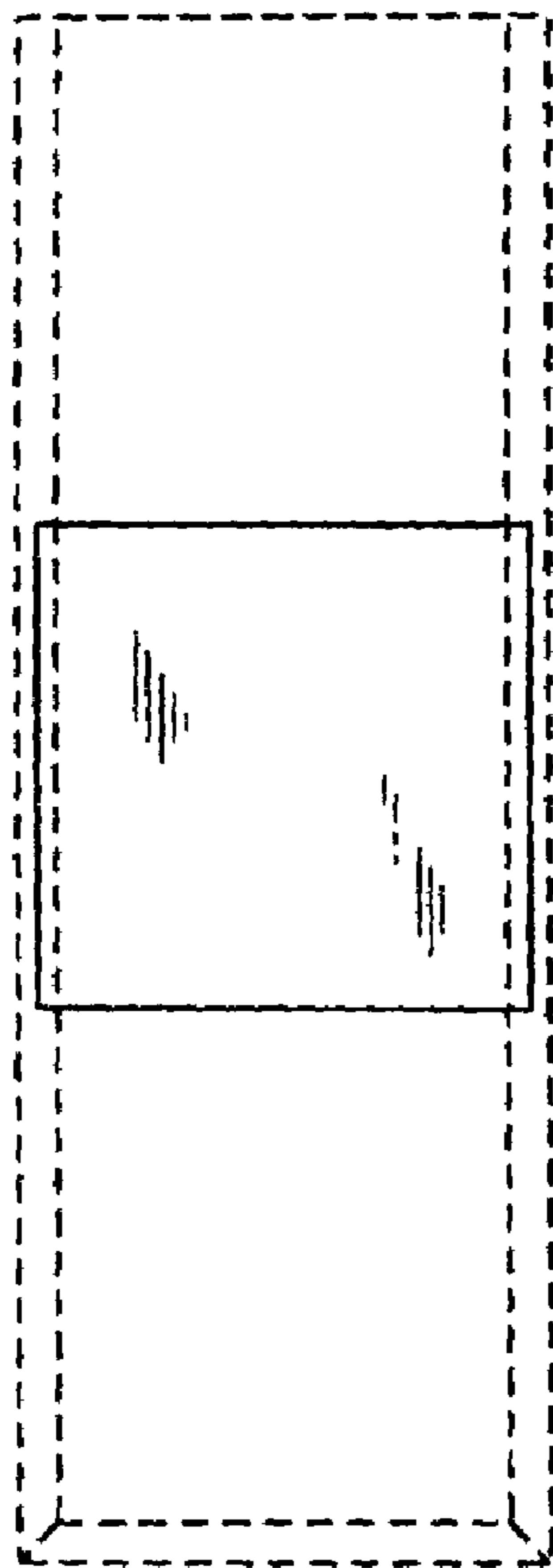
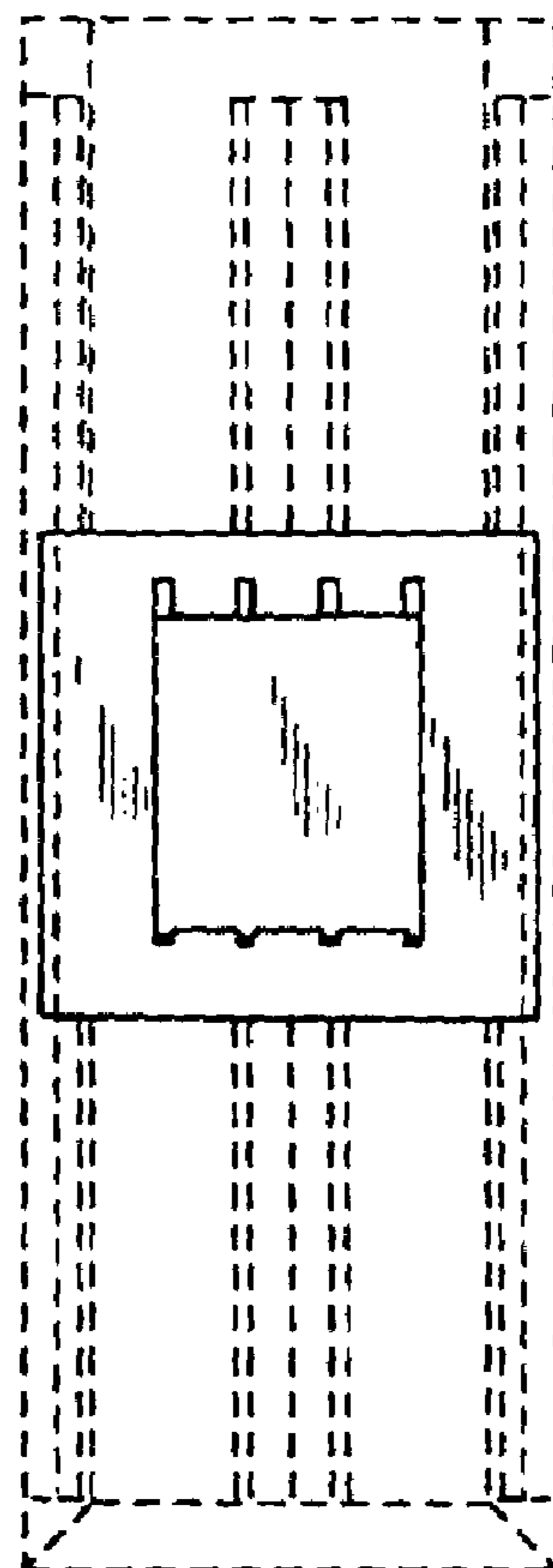


FIG. 11

FIG. 12



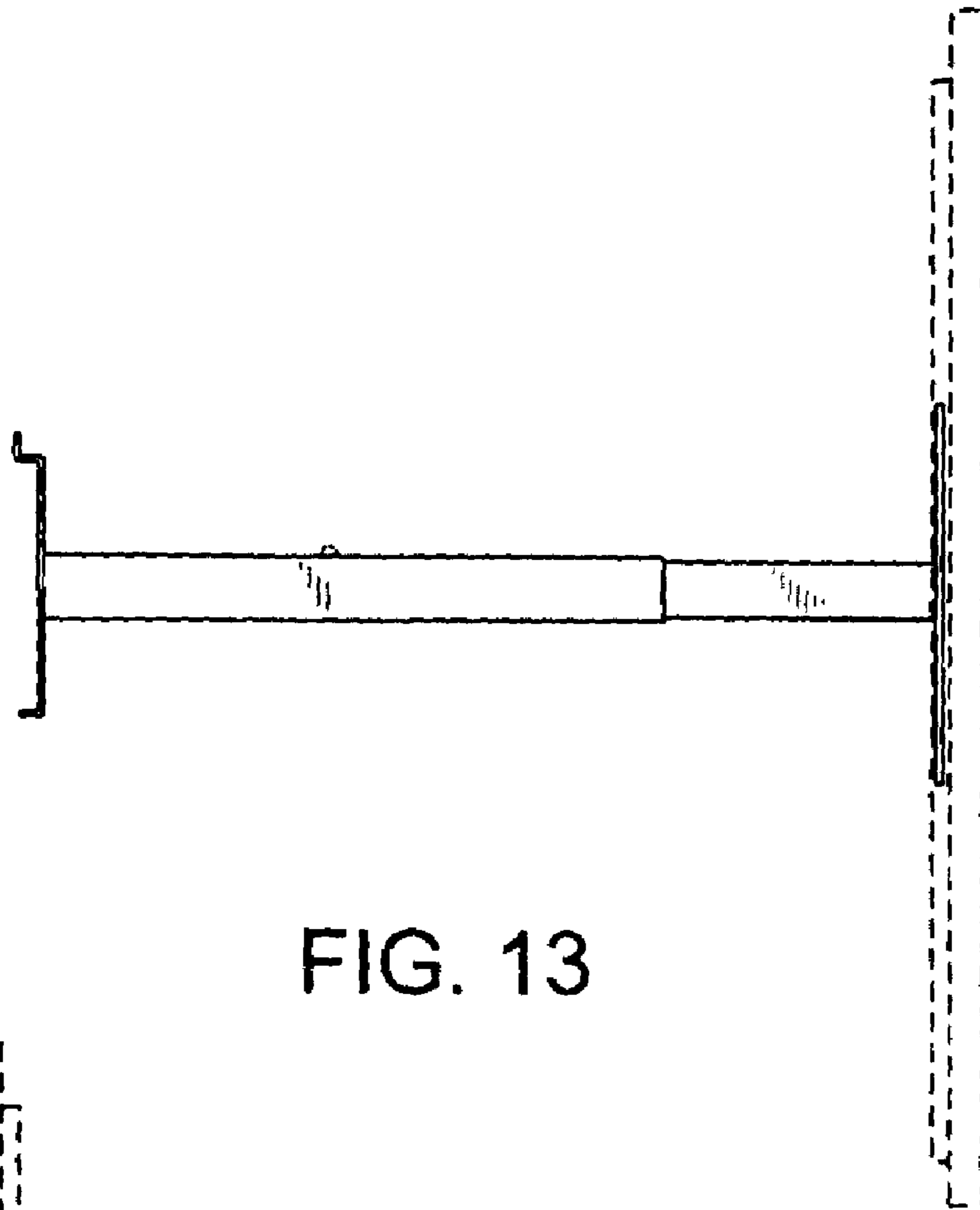


FIG. 13

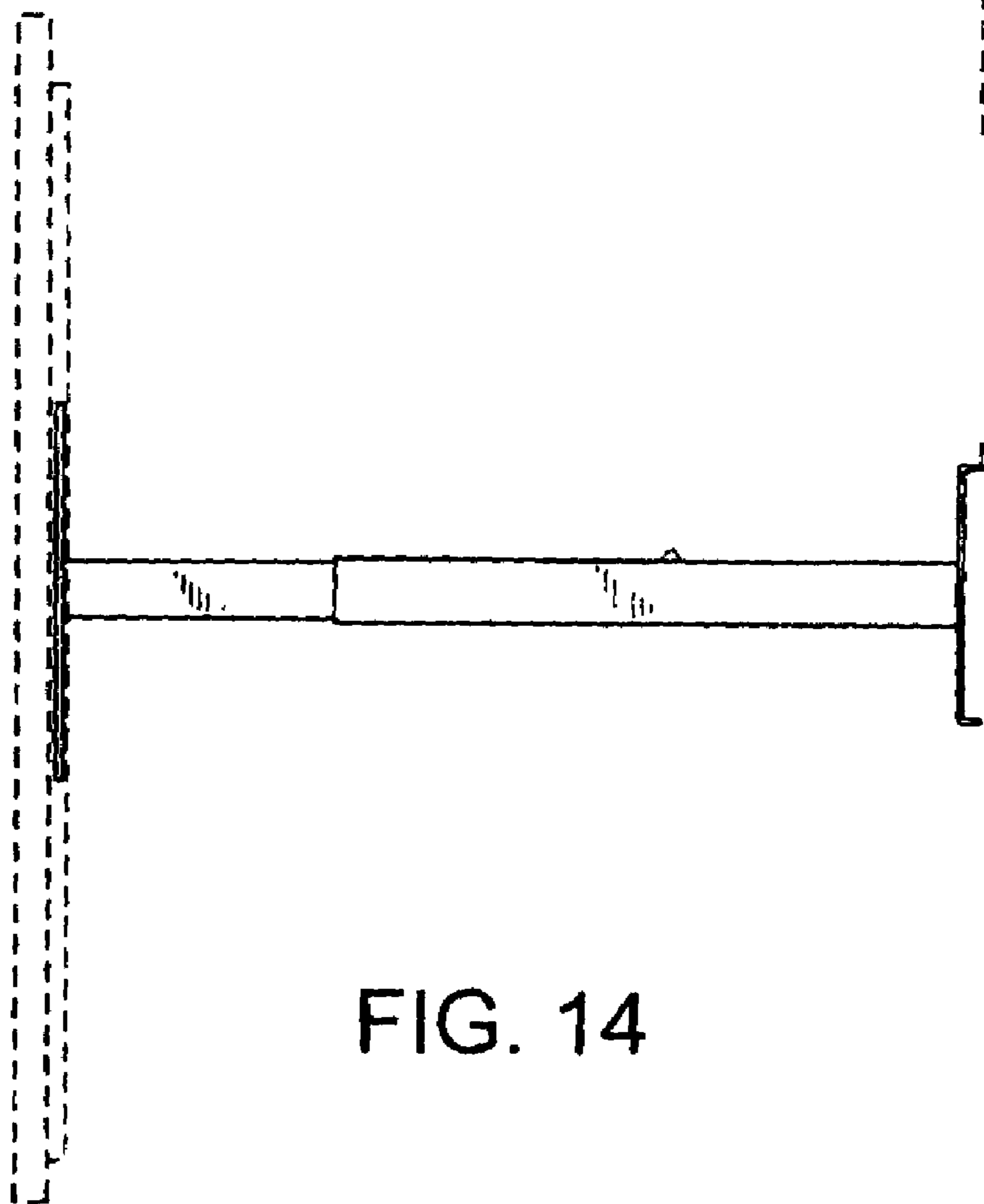


FIG. 14

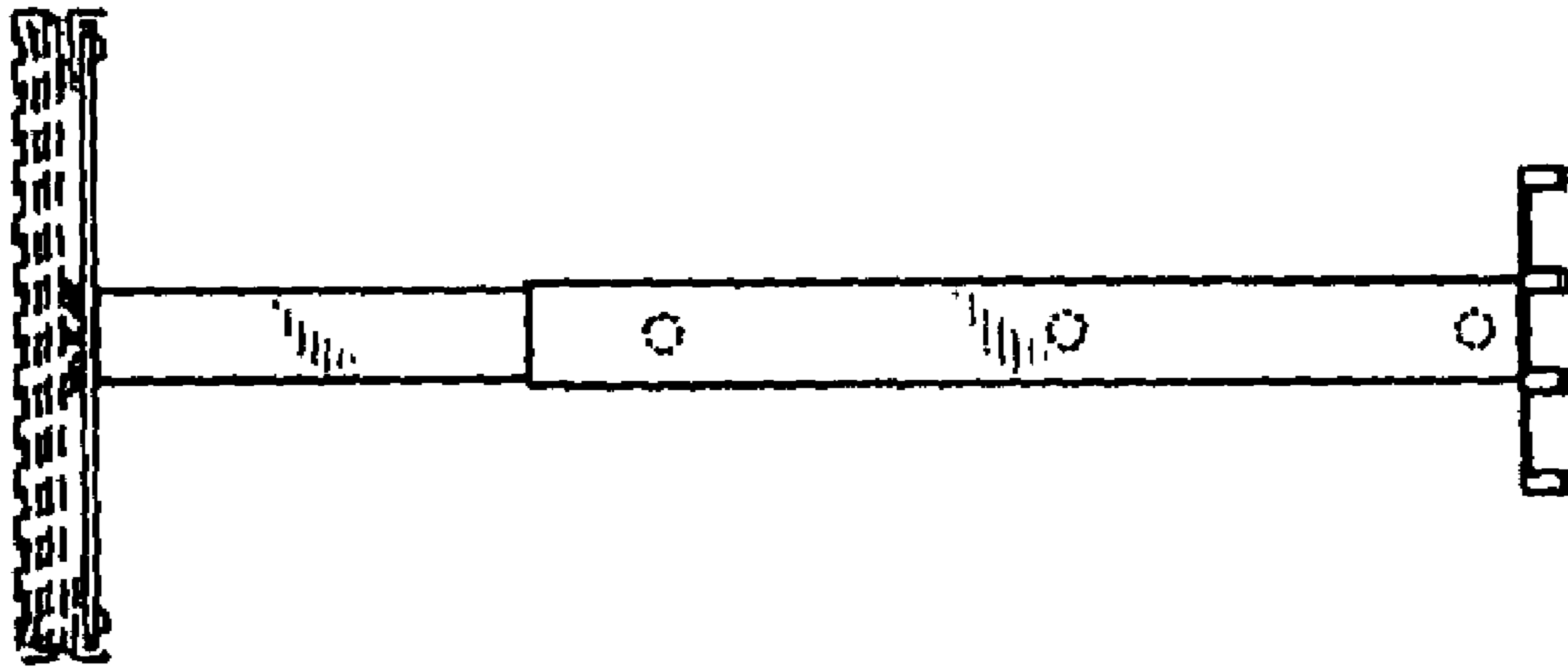


FIG. 15

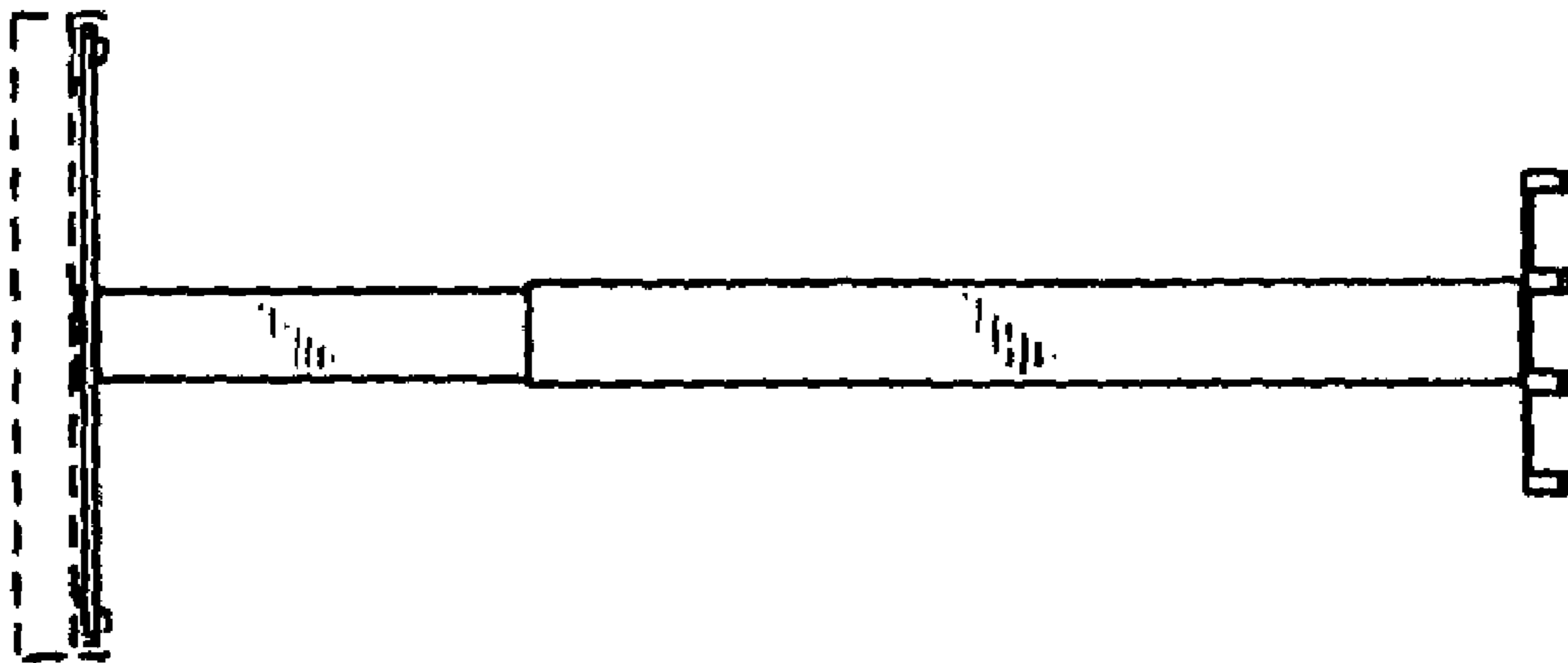


FIG. 16