



US00D590446S

(12) **United States Design Patent**
Israelion

(10) **Patent No.:** **US D590,446 S**

(45) **Date of Patent:** **** Apr. 14, 2009**

(54) **DESK ORGANIZER**

(76) Inventor: **Gamalyah Israelion**, 1151 NW. 49 St.,
Miami, FL (US) 33127

(**) Term: **14 Years**

(21) Appl. No.: **29/298,436**

(22) Filed: **Dec. 5, 2007**

(51) **LOC (9) Cl.** **19-02**

(52) **U.S. Cl.** **D19/78**

(58) **Field of Classification Search** D3/304,
D3/313, 314, 315; D6/303, 512, 553, 567,
D6/574; D19/21, 22, 23, 65, 67, 69, 75,
D19/77, 78, 86, 90, 92, 95; 206/214, 215,
206/425; 211/10, 11, 45, 50, 55, 126.13;
312/245

See application file for complete search history.

(56) **References Cited**

U.S. PATENT DOCUMENTS

802,152	A	*	10/1905	Warren	211/69.4
D63,739	S	*	1/1924	Schroeder	D6/571
D77,207	S	*	12/1928	Waldman	D19/78
D79,972	S	*	11/1929	Larrabee	D19/80
D87,063	S	*	5/1932	Jackson	D6/401
D127,492	S	*	5/1941	Sacchetti	D6/301
D236,113	S	*	7/1975	Moore	D19/84

D270,256	S	*	8/1983	Sankey	D19/77
D342,758	S	*	12/1993	Kirchhoff et al.	D19/75
D356,337	S	*	3/1995	Douglas	D19/75
D396,560	S	*	8/1998	Beatty	D6/303
D416,942	S	*	11/1999	Tsung	D19/75
D441,547	S	*	5/2001	Hayashi	D6/303
D497,184	S	*	10/2004	Bain	D19/75

* cited by examiner

Primary Examiner—Caron Veynar

Assistant Examiner—Karen E Eldridge Powers

(74) *Attorney, Agent, or Firm*—Sanchelima & Associates,
P.A.

(57) **CLAIM**

The ornamental design for a desk organizer, as shown and described.

DESCRIPTION

FIG. 1 is an isometric view of a desk organizer showing my new design;

FIG. 2 is a front elevational view thereof;

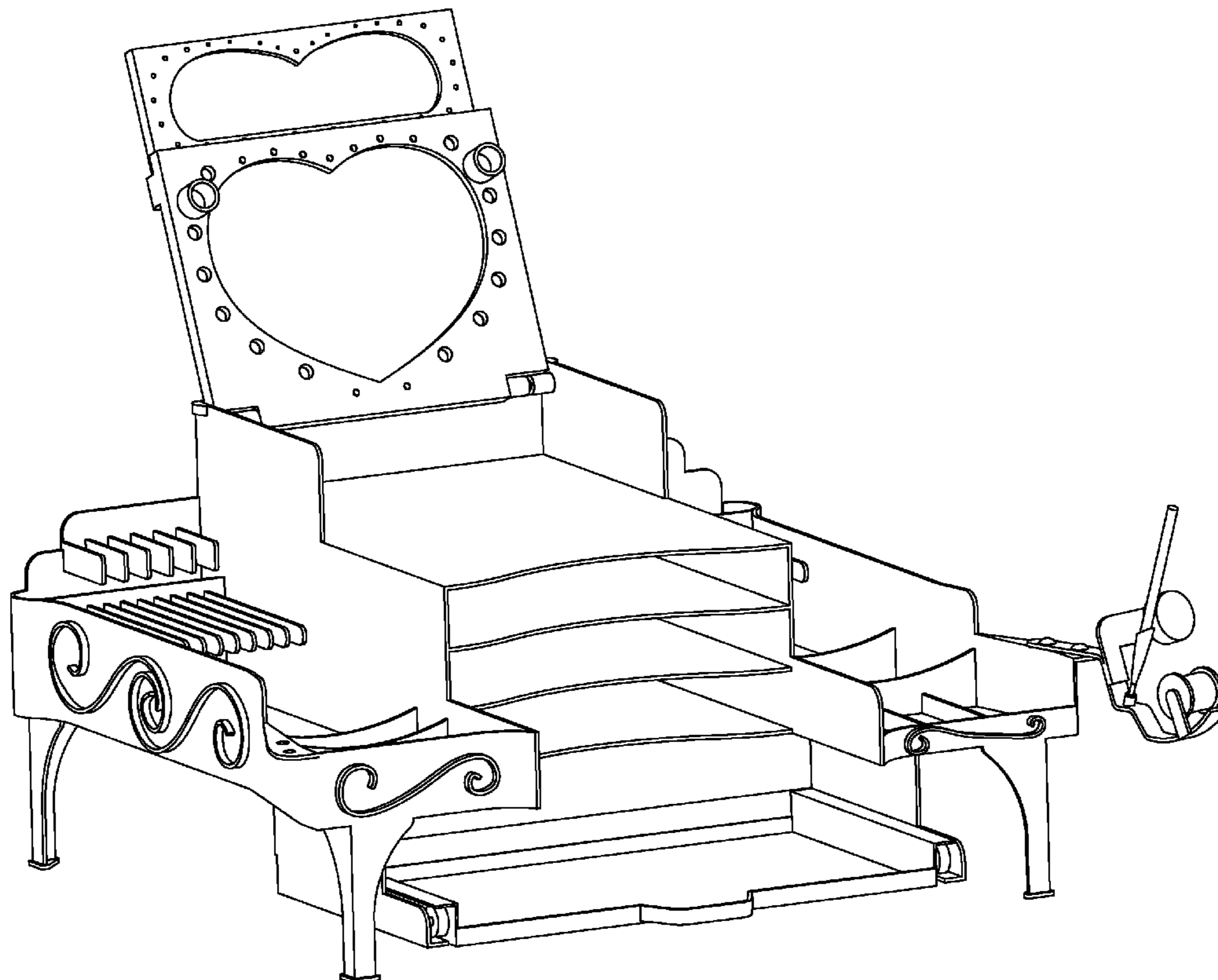
FIG. 3 is a top plan view thereof;

FIG. 4 is a left side elevational view thereof;

FIG. 5 is a right side elevational view thereof; and,

FIG. 6 is a rear elevational view thereof showing my design.

1 Claim, 6 Drawing Sheets



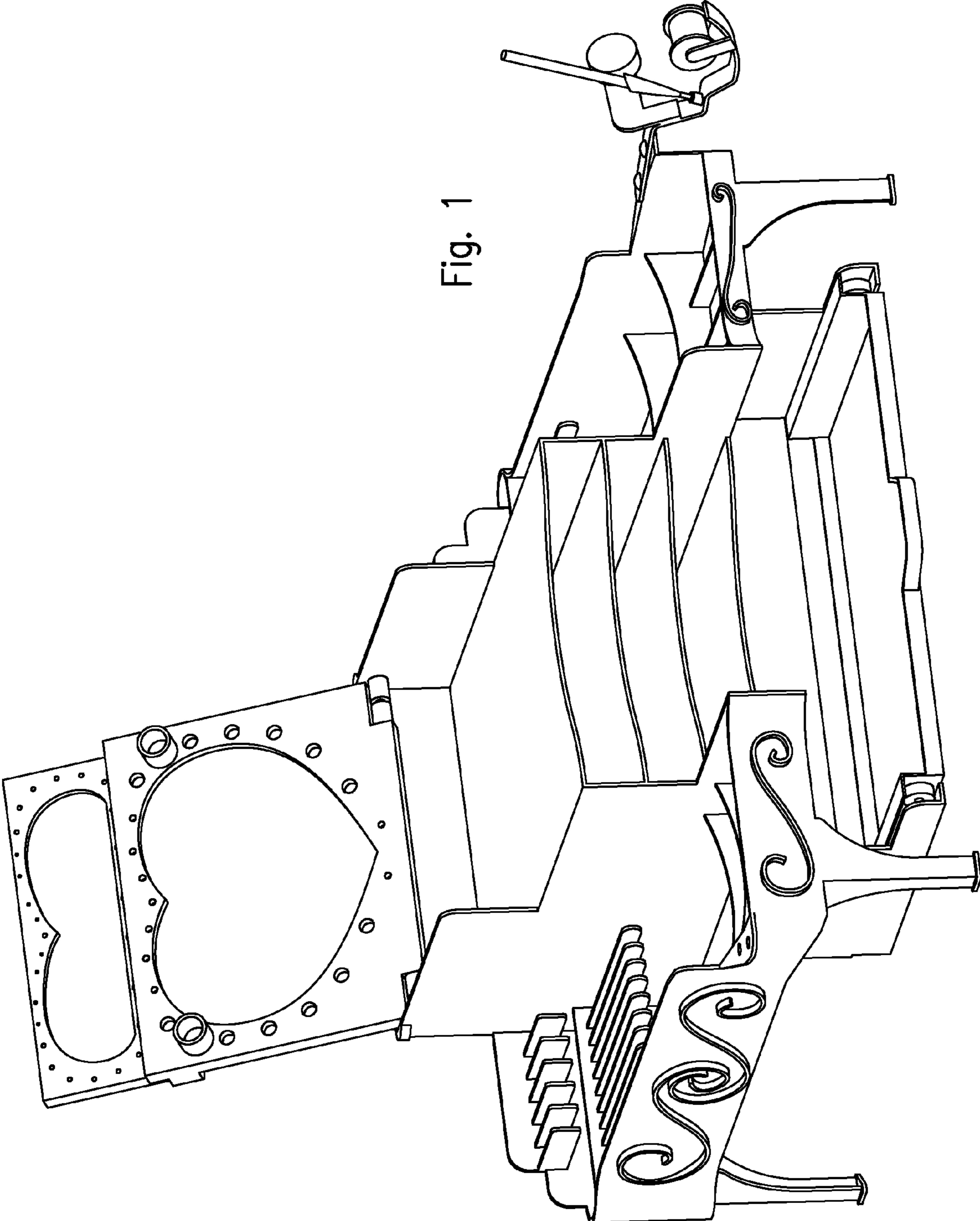


Fig. 1

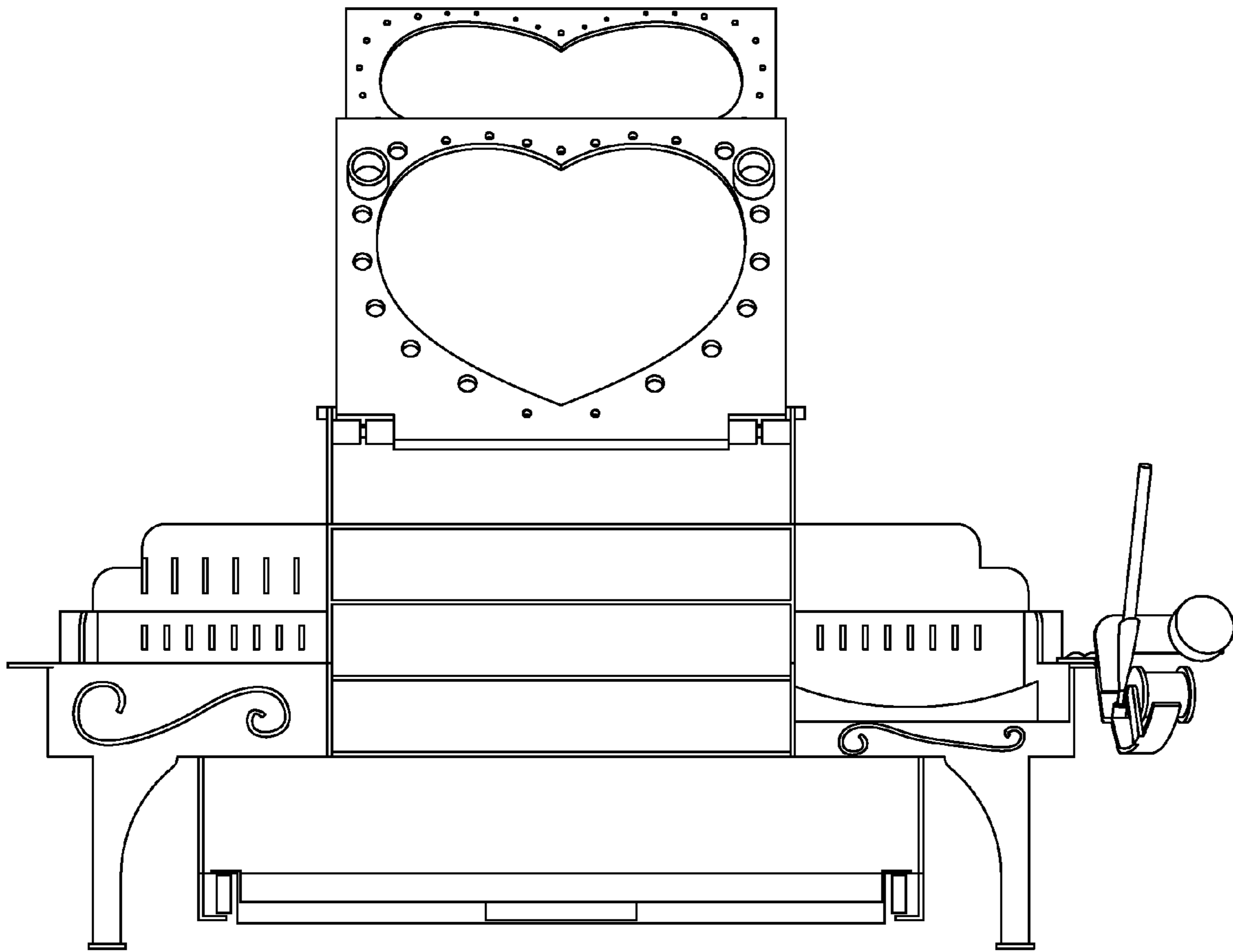


Fig. 2

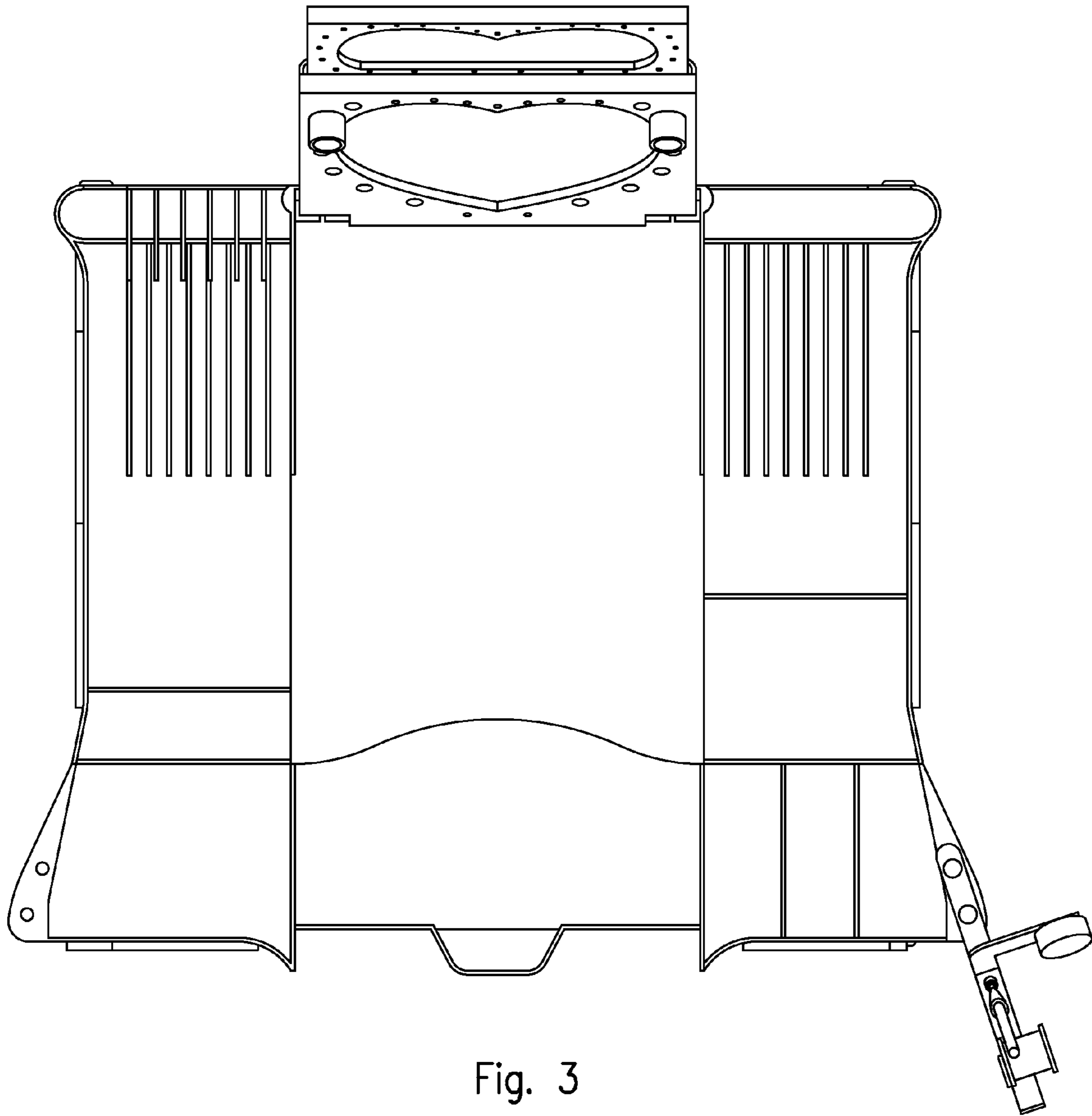


Fig. 3

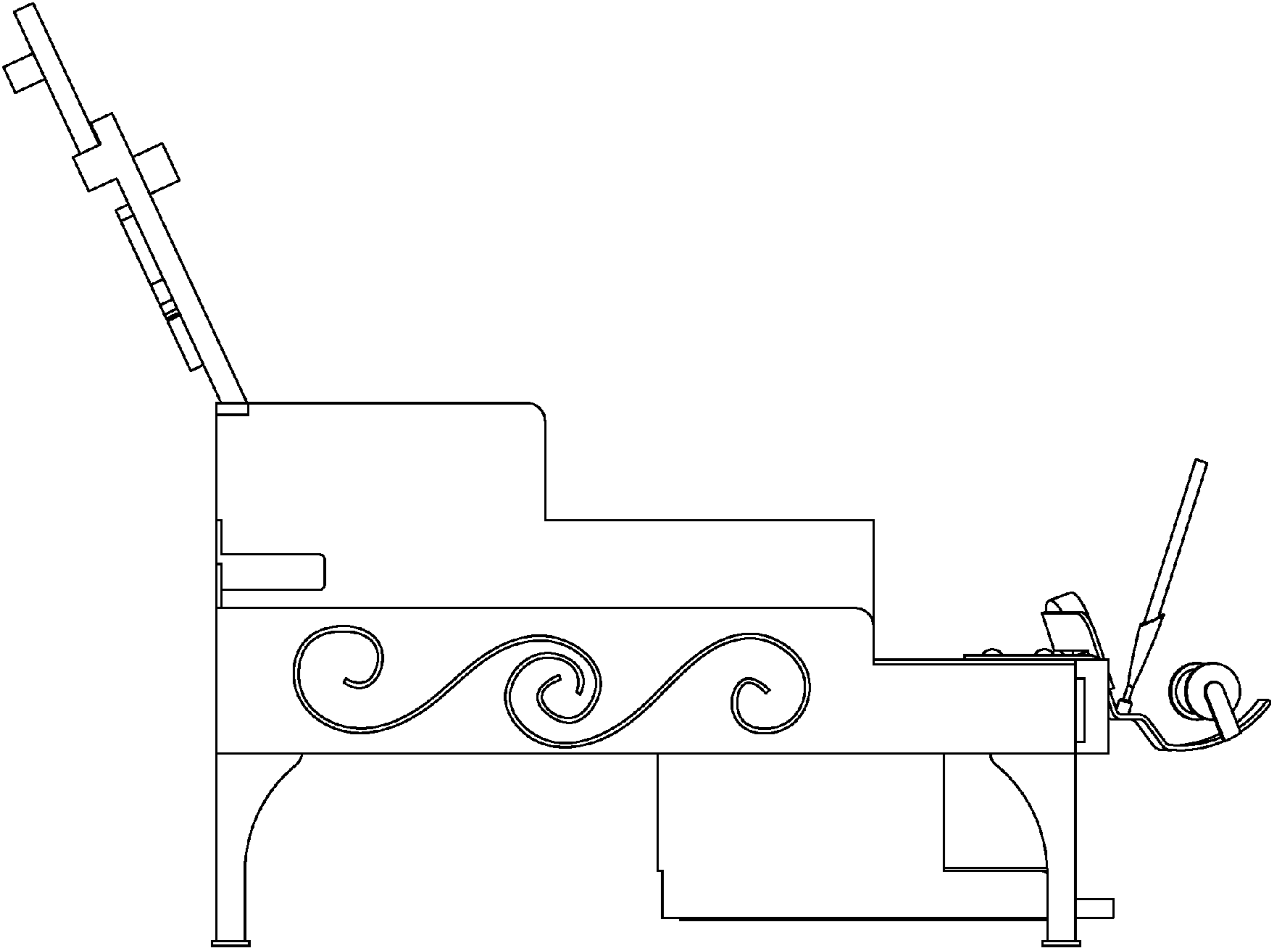


Fig. 4

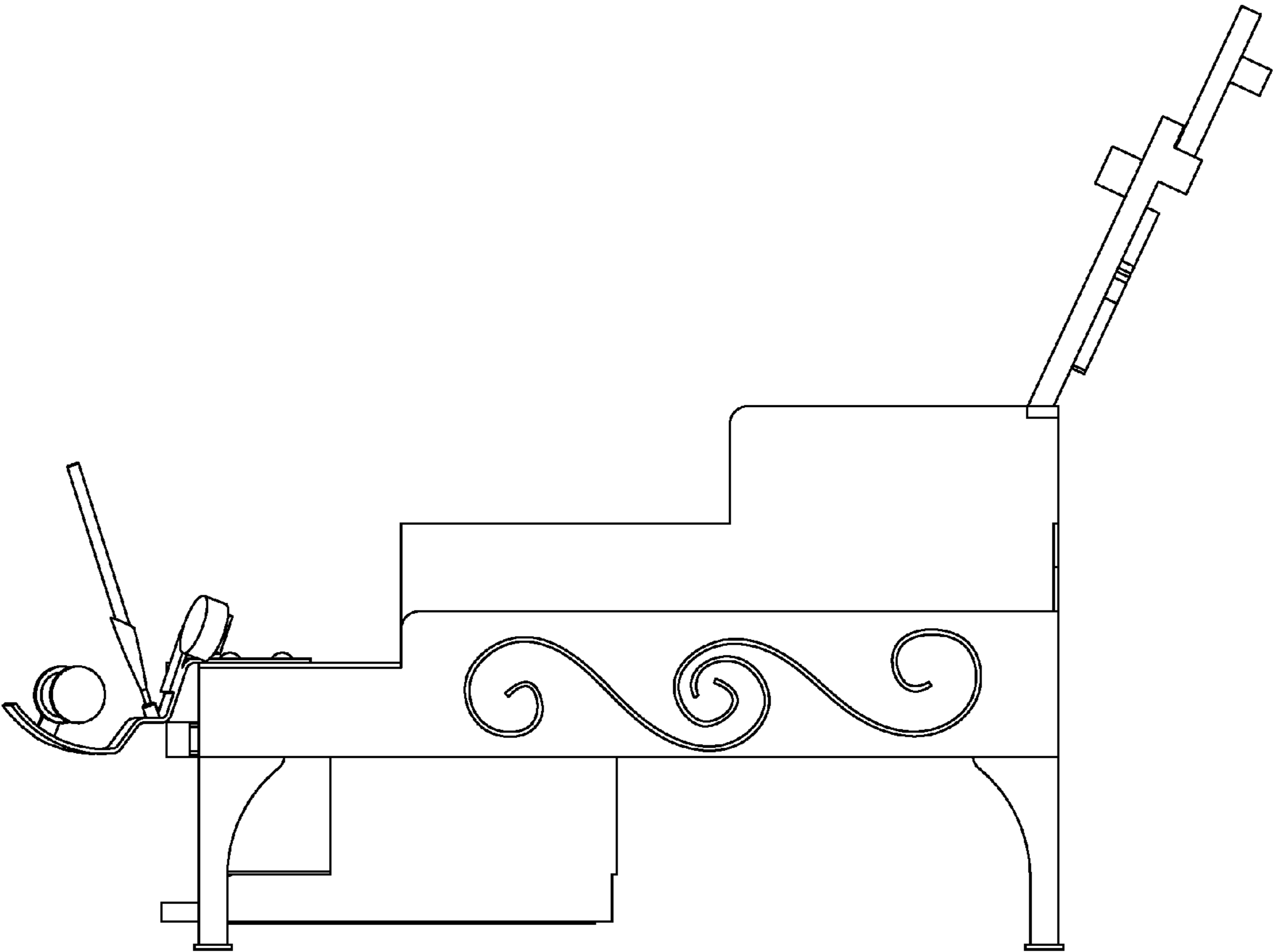


Fig. 5

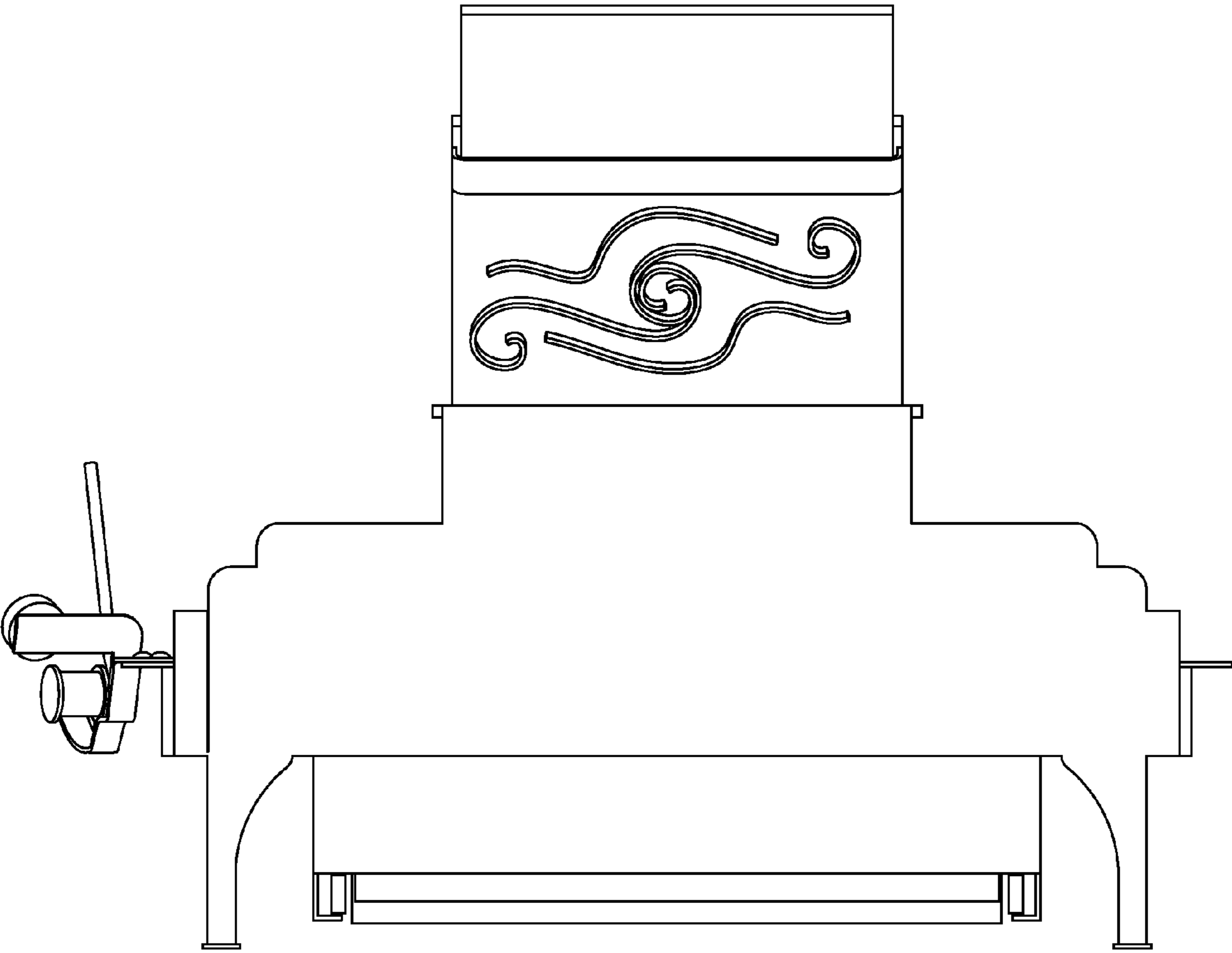


Fig. 6