



US00D590439S

(12) **United States Design Patent**
Kikuchi et al.

(10) **Patent No.:** **US D590,439 S**

(45) **Date of Patent:** **** Apr. 14, 2009**

(54) **CORONA WIRE CARTRIDGE**

(75) Inventors: **Hiroshi Kikuchi**, Ibaraki (JP); **Tsukasa Onose**, Ibaraki (JP); **Koji Doi**, Ibaraki (JP); **Yoshinari Onuma**, Ibaraki (JP)

(73) Assignee: **Ricoh Company, Ltd.**, Tokyo (JP)

(**) Term: **14 Years**

(21) Appl. No.: **29/274,025**

(22) Filed: **Mar. 21, 2007**

(30) **Foreign Application Priority Data**

Sep. 22, 2006 (JP) 2006-025377

(51) **LOC (9) Cl.** **18-02**

(52) **U.S. Cl.** **D18/56; D18/40**

(58) **Field of Classification Search** D18/12,
D18/40, 43, 56; 250/229; 399/100, 115,
399/170

See application file for complete search history.

(56) **References Cited**

U.S. PATENT DOCUMENTS

3,499,143	A *	3/1970	Martin	250/324
4,112,298	A *	9/1978	Weikel, Jr.	250/324
4,258,258	A *	3/1981	Laing et al.	250/324
4,746,796	A *	5/1988	Heigl	361/229
5,008,538	A *	4/1991	DeCecca et al.	361/229
5,140,367	A *	8/1992	Oleksinski et al.	399/115
5,181,069	A *	1/1993	Oleksinski et al.	399/115

5,182,694	A *	1/1993	Endo	361/229
5,241,344	A *	8/1993	Takano	399/115
5,594,532	A *	1/1997	Turesson et al.	399/100
6,108,504	A *	8/2000	Dickhoff	250/324
6,144,826	A *	11/2000	Mitchell et al.	361/229
6,310,344	B1 *	10/2001	Shin et al.	361/229
6,328,250	B1 *	12/2001	Dickhoff	242/564.5
7,043,176	B1 *	5/2006	DeHollander et al.	399/170
2007/0248379	A1 *	10/2007	Onuma et al.	399/115

* cited by examiner

Primary Examiner—Cathy Anne MacCormac

(74) *Attorney, Agent, or Firm*—McGinn IP Law Group, PLLC

(57) **CLAIM**

The ornamental design for a corona wire cartridge, as shown and described.

DESCRIPTION

FIG. 1 is a perspective view of top, front and right side of a corona wire cartridge showing our new design;

FIG. 2 is a front view thereof;

FIG. 3 is a rear view thereof;

FIG. 4 is a top plan view thereof;

FIG. 5 is a bottom view thereof;

FIG. 6 is a left side view thereof; and,

FIG. 7 is a right side view thereof.

1 Claim, 3 Drawing Sheets

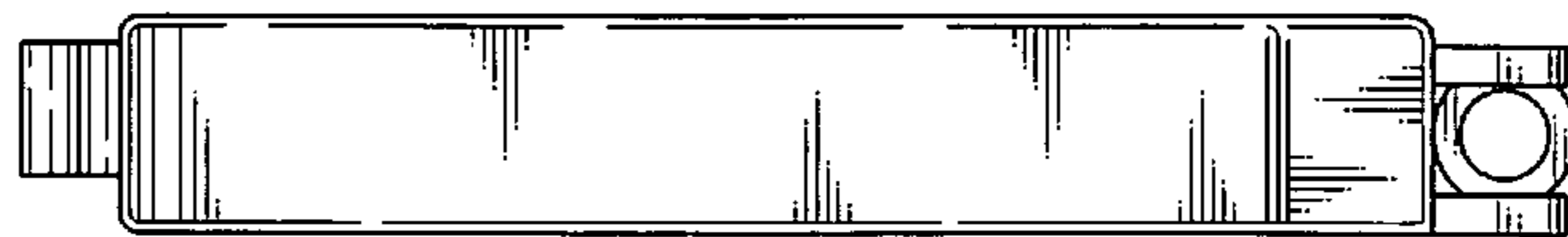
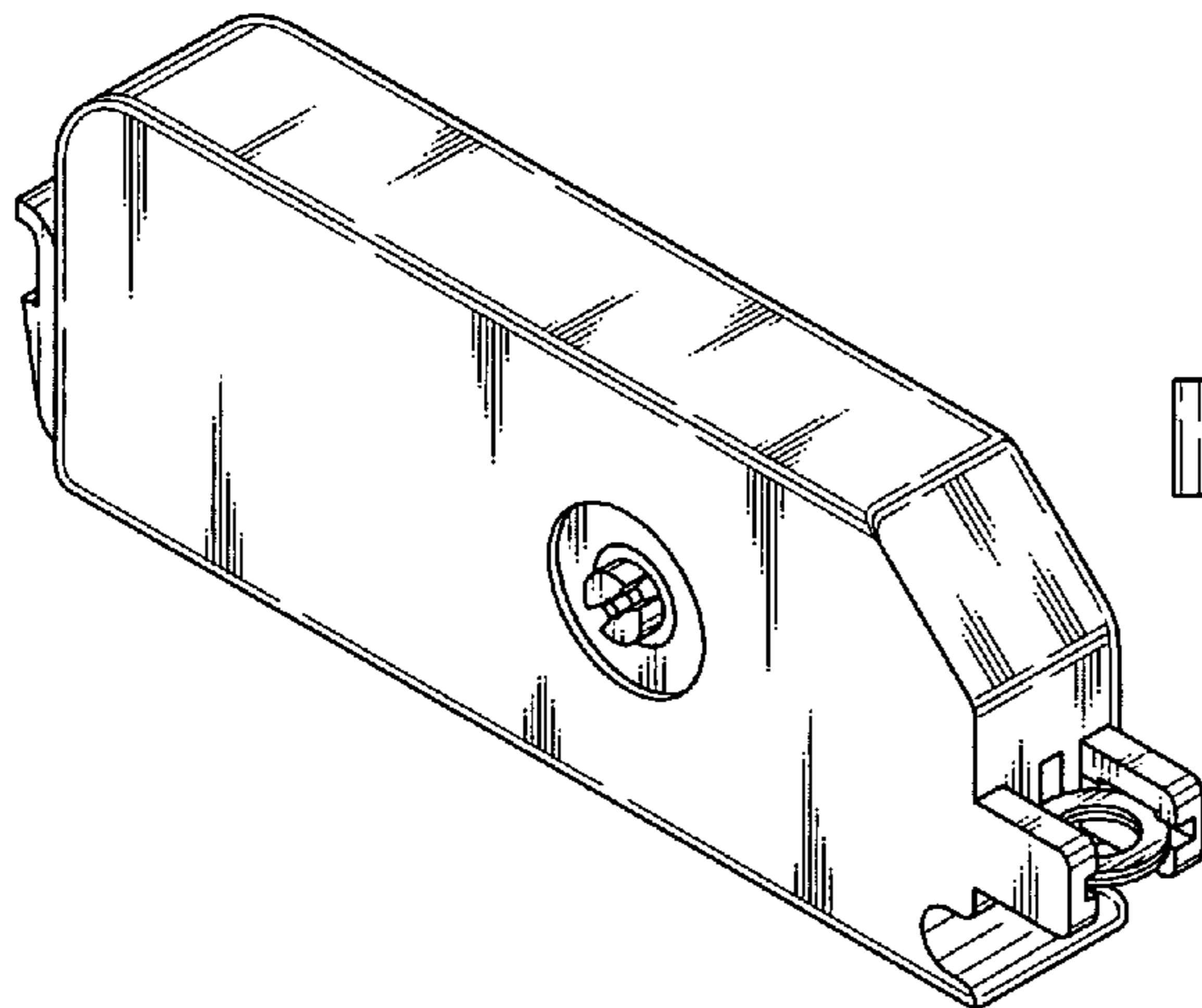


FIG. 1

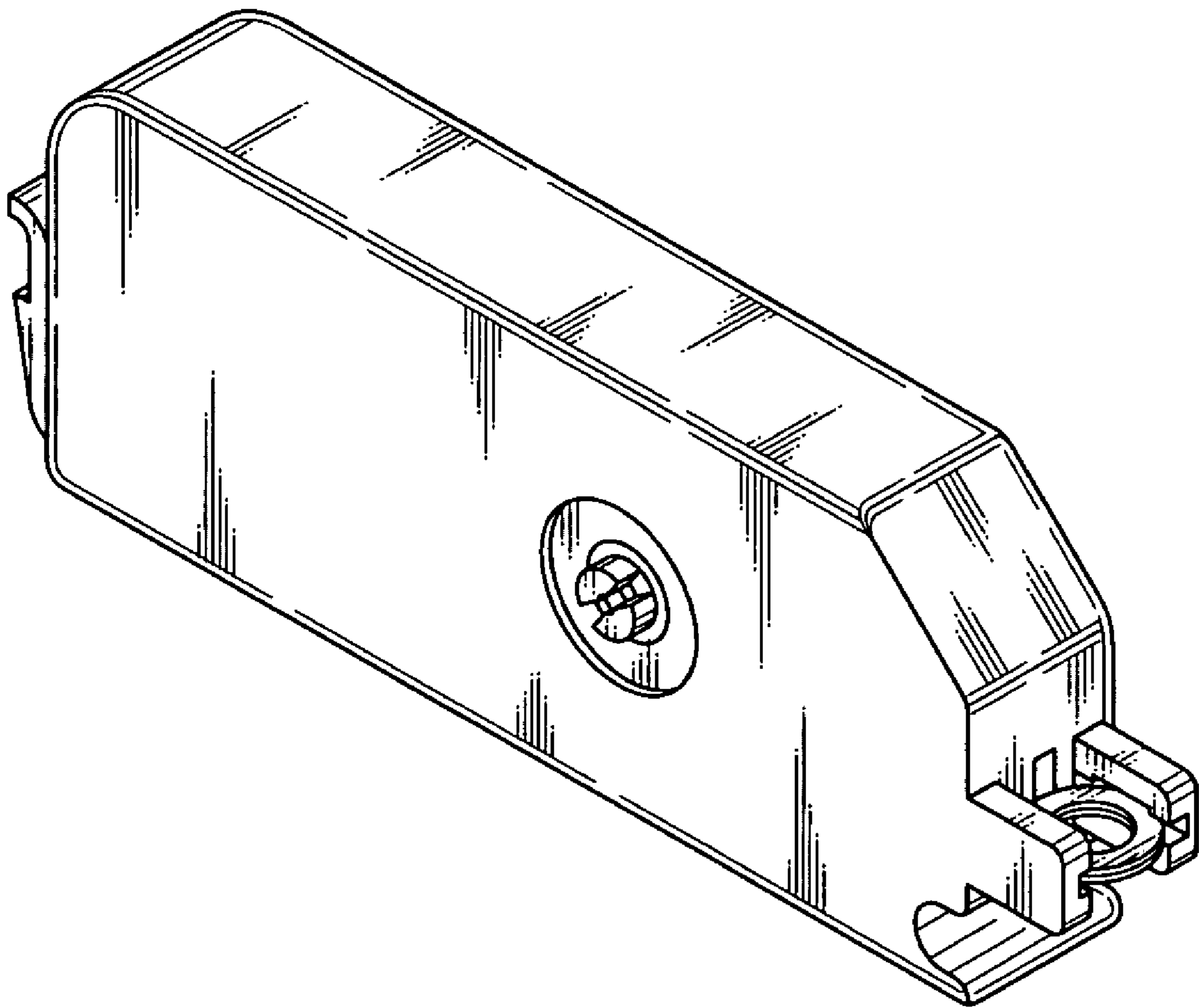


FIG.2

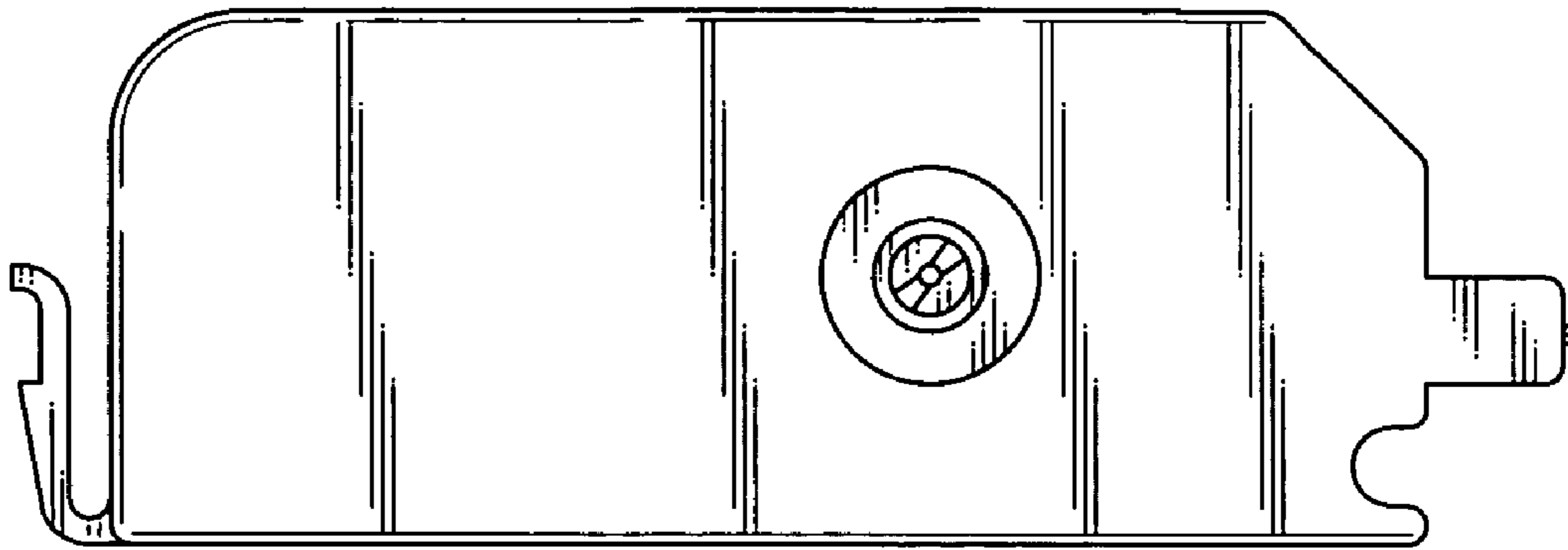


FIG.3



FIG.4

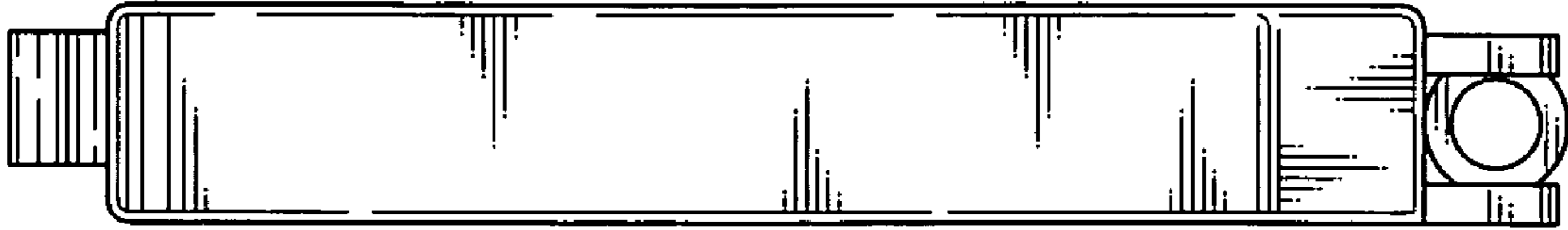


FIG.5

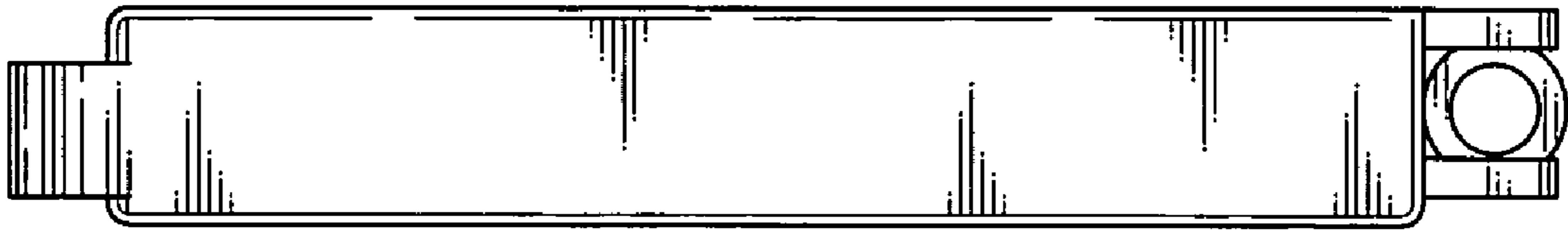


FIG.6

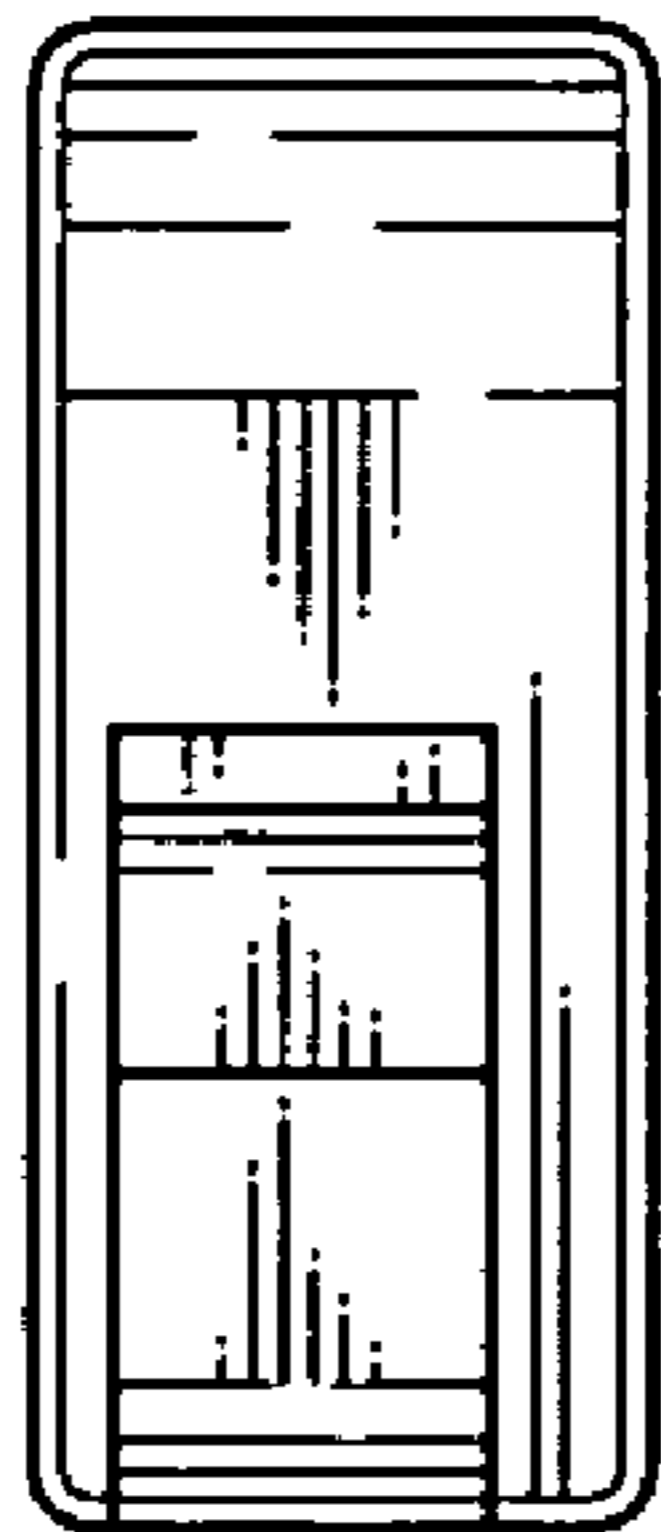


FIG.7

