



US00D590438S

(12) **United States Design Patent**  
**Tanaka**

(10) **Patent No.:** **US D590,438 S**  
(45) **Date of Patent:** **\*\* Apr. 14, 2009**

(54) **TONER CARTRIDGE**

JP 1333211 6/2008

(75) Inventor: **Yoshiaki Tanaka**, Numazu (JP)

\* cited by examiner

(73) Assignee: **Toshiba Tec Kabushiki Kaisha** (JP)

*Primary Examiner*—Caron Veynar

*Assistant Examiner*—Garth Rademaker

(\*\*) Term: **14 Years**

(74) *Attorney, Agent, or Firm*—Harness, Dickey & Pierce, P.L.C.

(21) Appl. No.: **29/308,328**

(22) Filed: **Jun. 10, 2008**

(57) **CLAIM**

The ornamental design for a toner cartridge, as shown and described.

(30) **Foreign Application Priority Data**

Dec. 11, 2007 (JP) ..... 2007-033926

**DESCRIPTION**

(51) **LOC (9) Cl.** ..... **16-03**

(52) **U.S. Cl.** ..... **D18/43**

(58) **Field of Classification Search** ..... D14/471;  
D18/12, 36, 40, 43, 44, 56; 222/DIG. 1;  
347/197, 222; 399/24–28, 107–112, 119,  
399/121, 122, 222–224

See application file for complete search history.

FIG. 1 is a front, top and left side perspective view of a toner cartridge, showing my new design;

FIG. 2 is a rear, top and right side perspective view thereof;

FIG. 3 is a rear, top and left side perspective view thereof;

FIG. 4 is a rear, bottom and right side perspective view thereof;

FIG. 5 is a front view thereof;

FIG. 6 is a rear view thereof;

FIG. 7 is a top view thereof;

FIG. 8 is a bottom view thereof;

FIG. 9 is an enlarged right side view thereof; and,

FIG. 10 is an enlarged left side view thereof.

The broken lines depict environmental subject matter only and form no part of the claimed design.

(56) **References Cited**

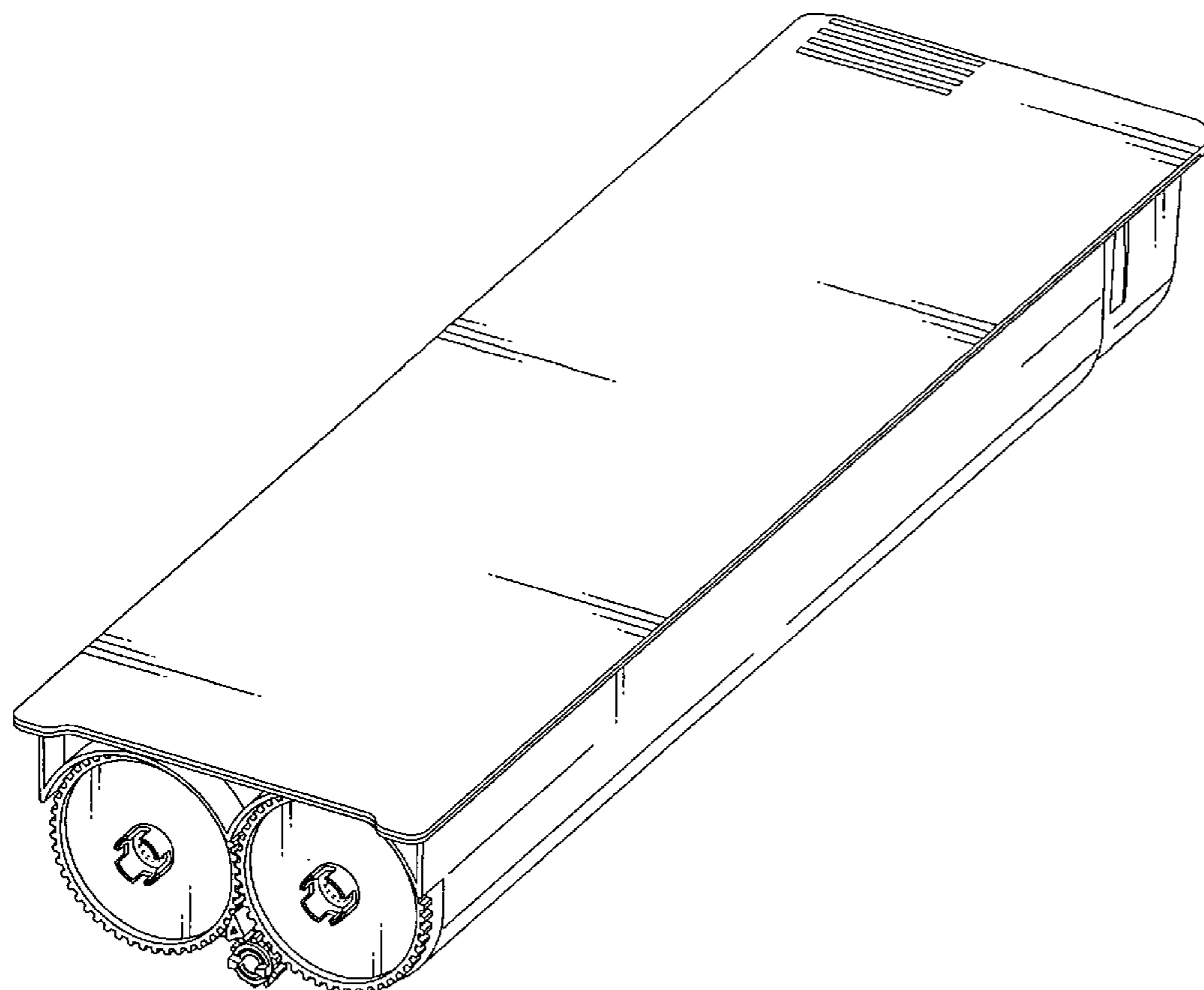
**U.S. PATENT DOCUMENTS**

D471,582 S *	3/2003	Mori	.....	D18/40
D559,894 S *	1/2008	Sato	.....	D18/43
D559,895 S *	1/2008	Sato	.....	D14/43
D559,896 S *	1/2008	Sato	.....	D18/43
D574,038 S *	7/2008	Sakabe	.....	D18/43
2007/0231017 A1 *	10/2007	Sato	.....	399/262
2007/0269225 A1 *	11/2007	Sato	.....	399/12

**FOREIGN PATENT DOCUMENTS**

JP 1333069 6/2008

**1 Claim, 7 Drawing Sheets**



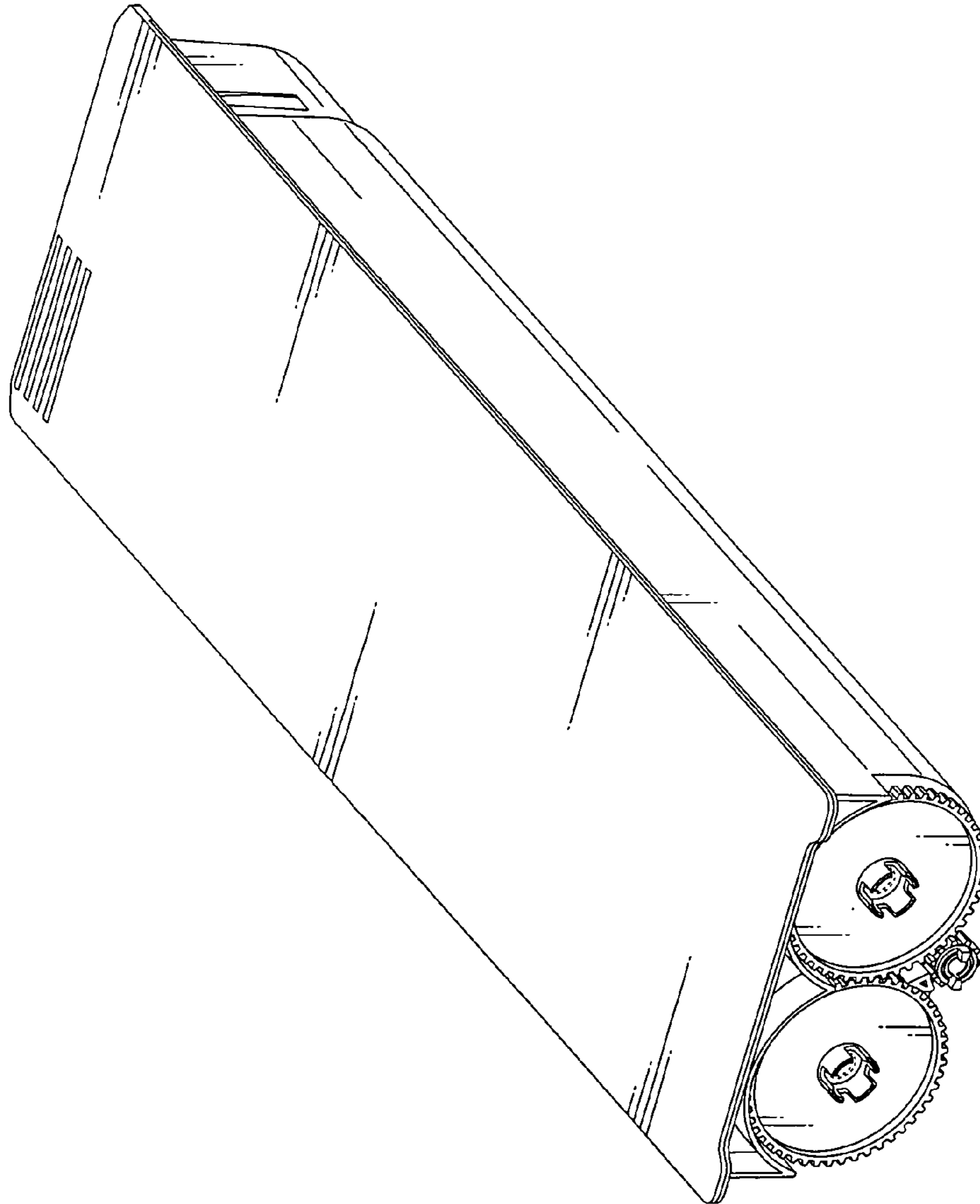


FIG.1

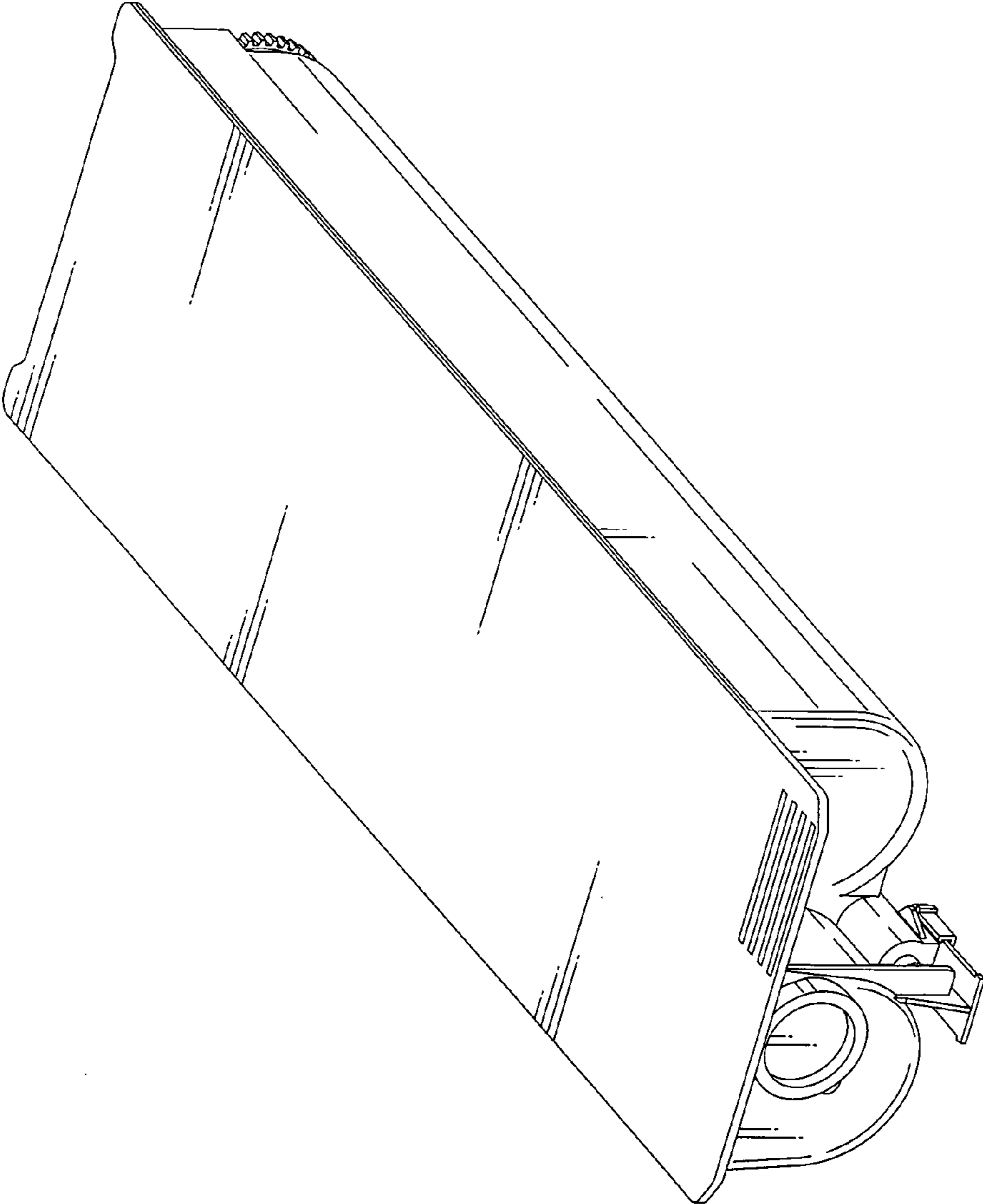


FIG.2

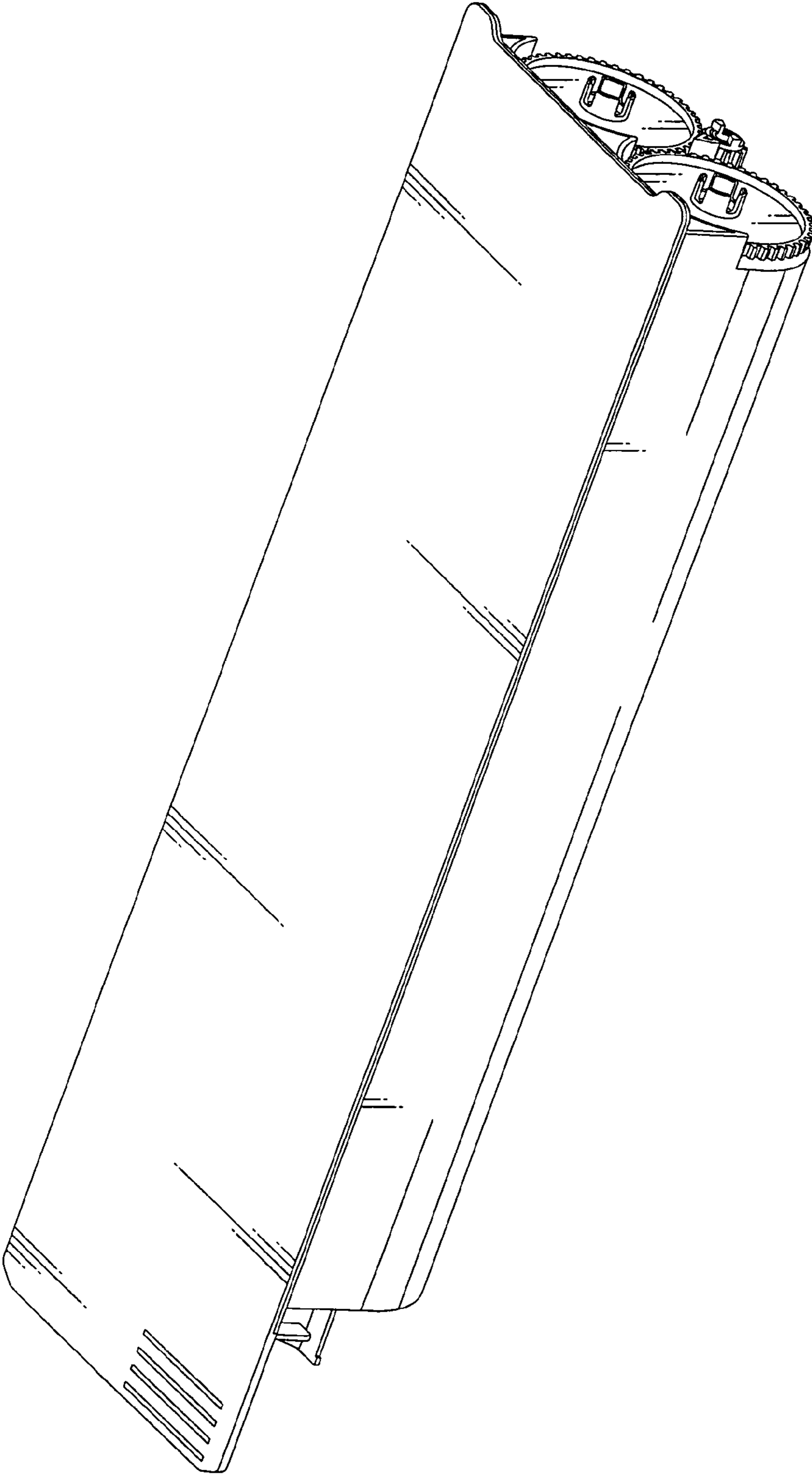


FIG.3

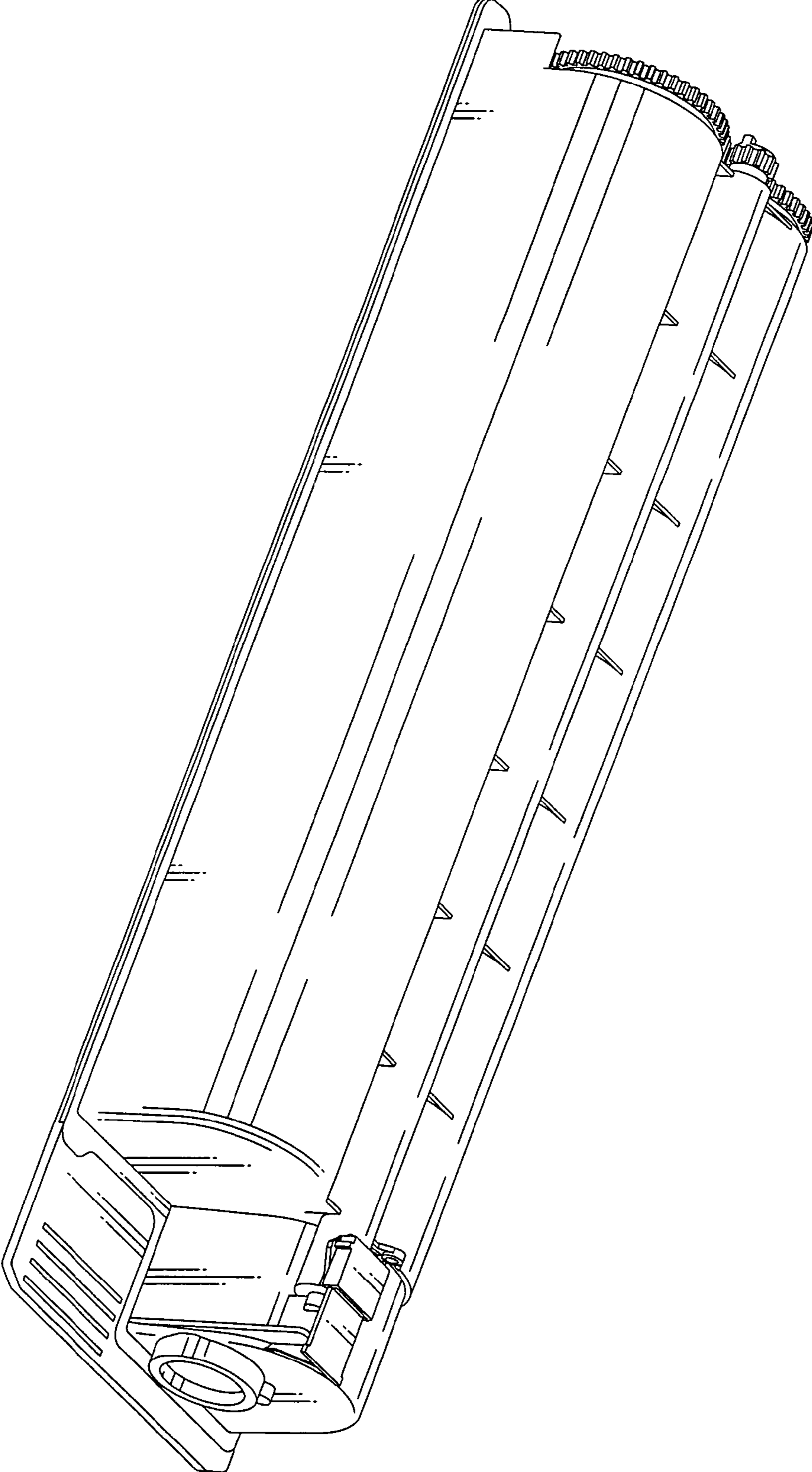


FIG.4

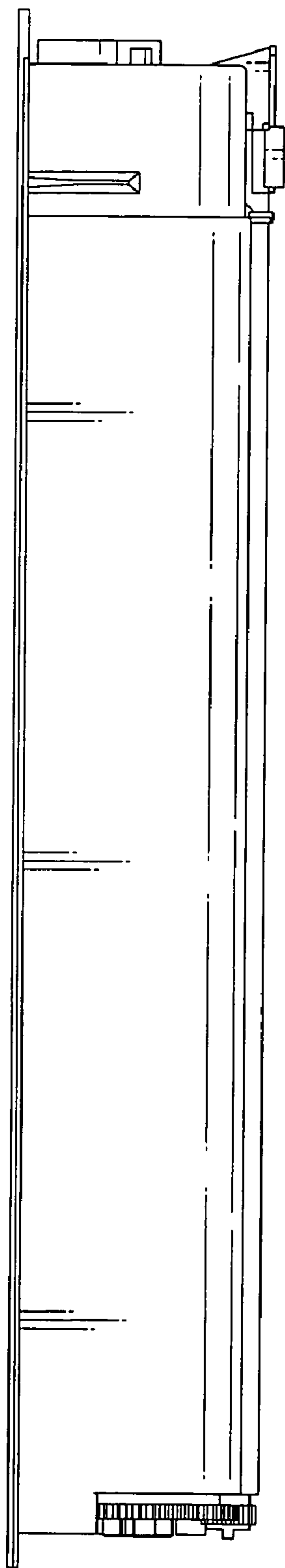


FIG. 5

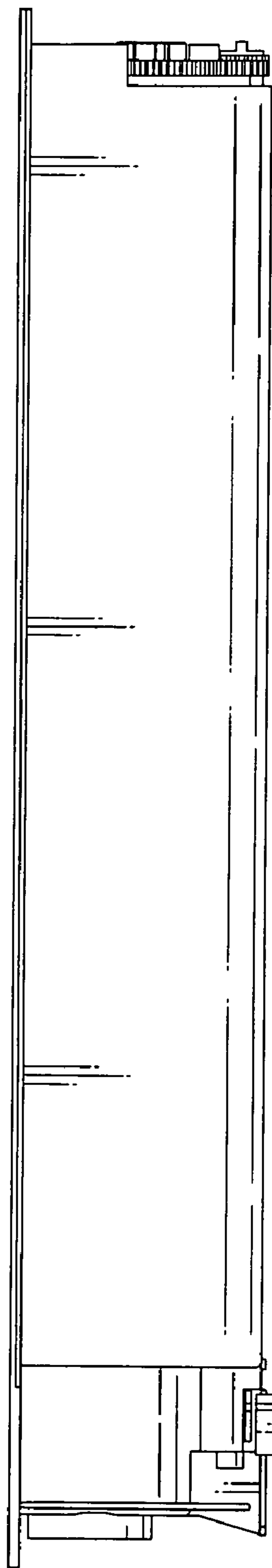


FIG. 6

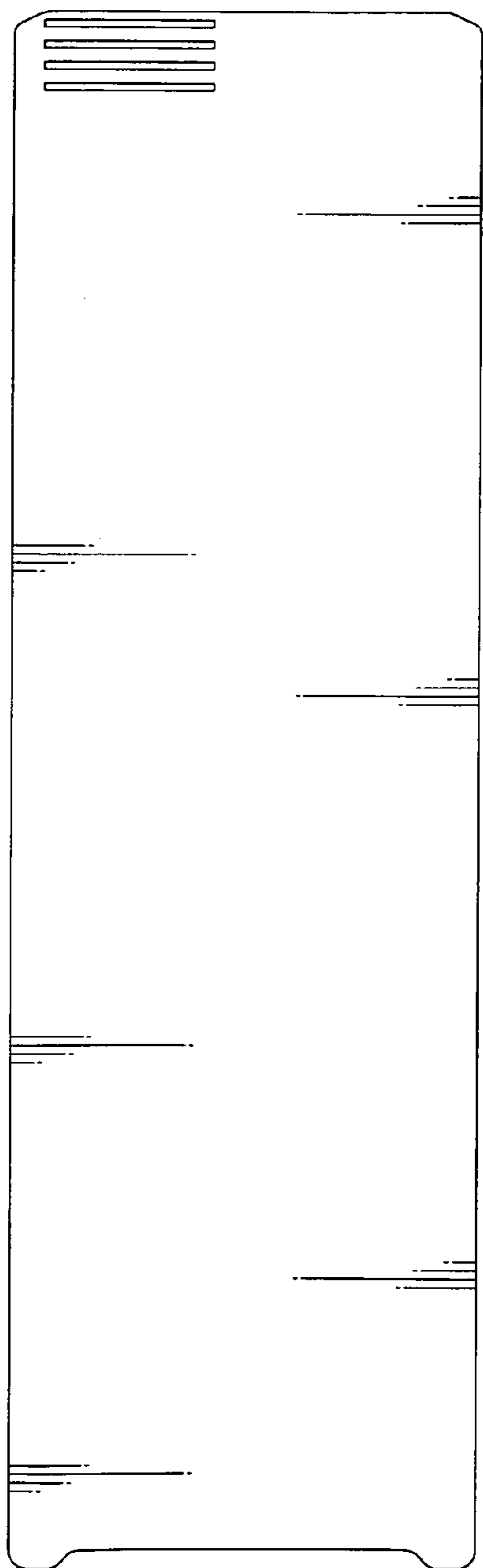


FIG. 7

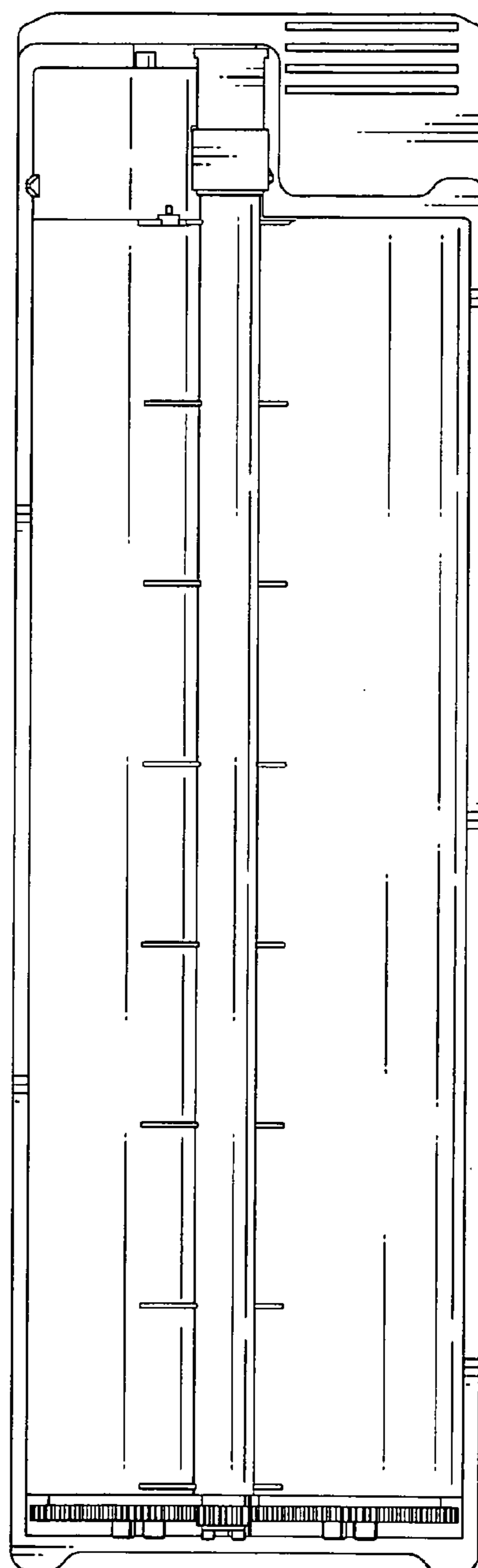


FIG. 8

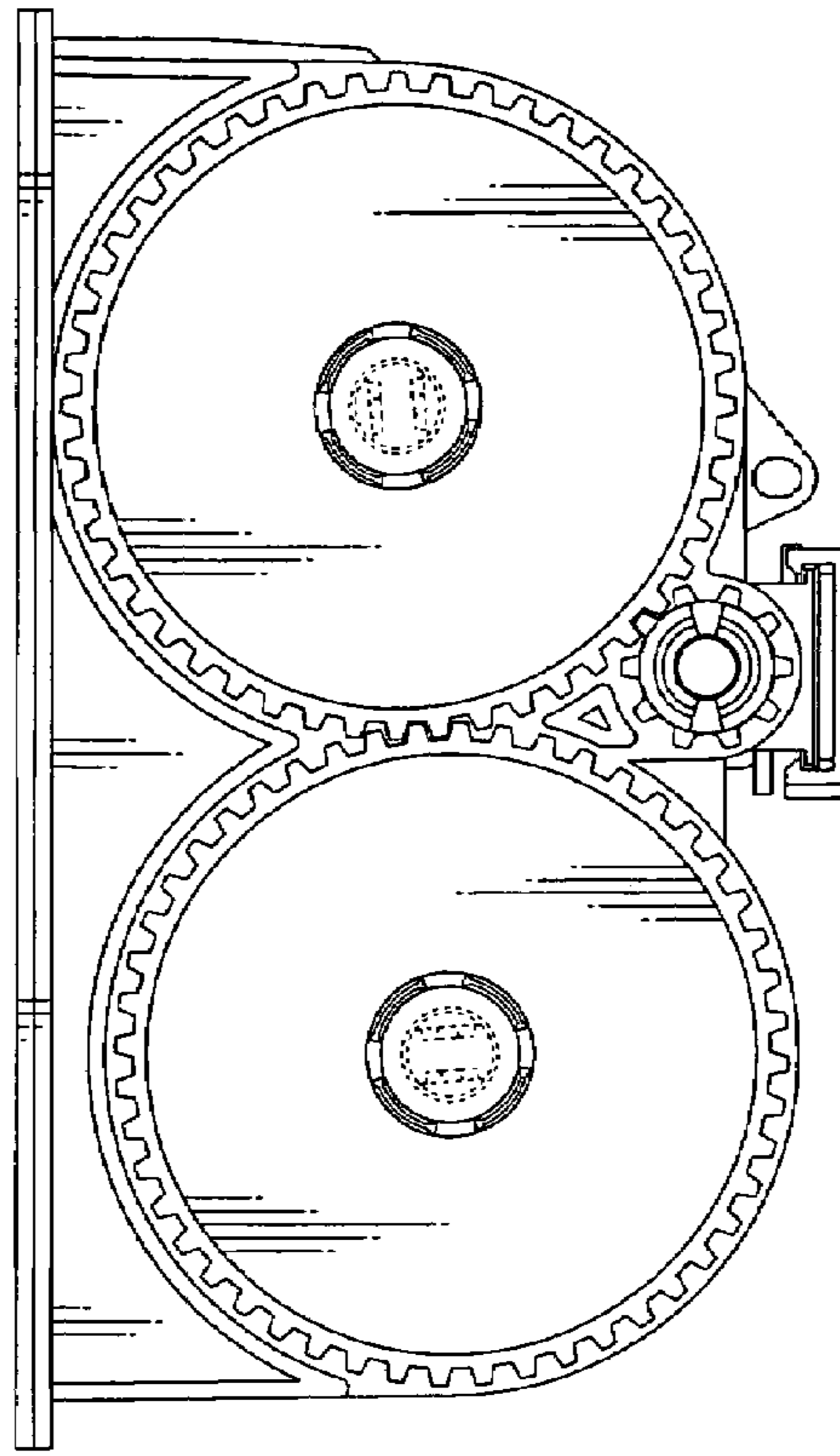


FIG.10

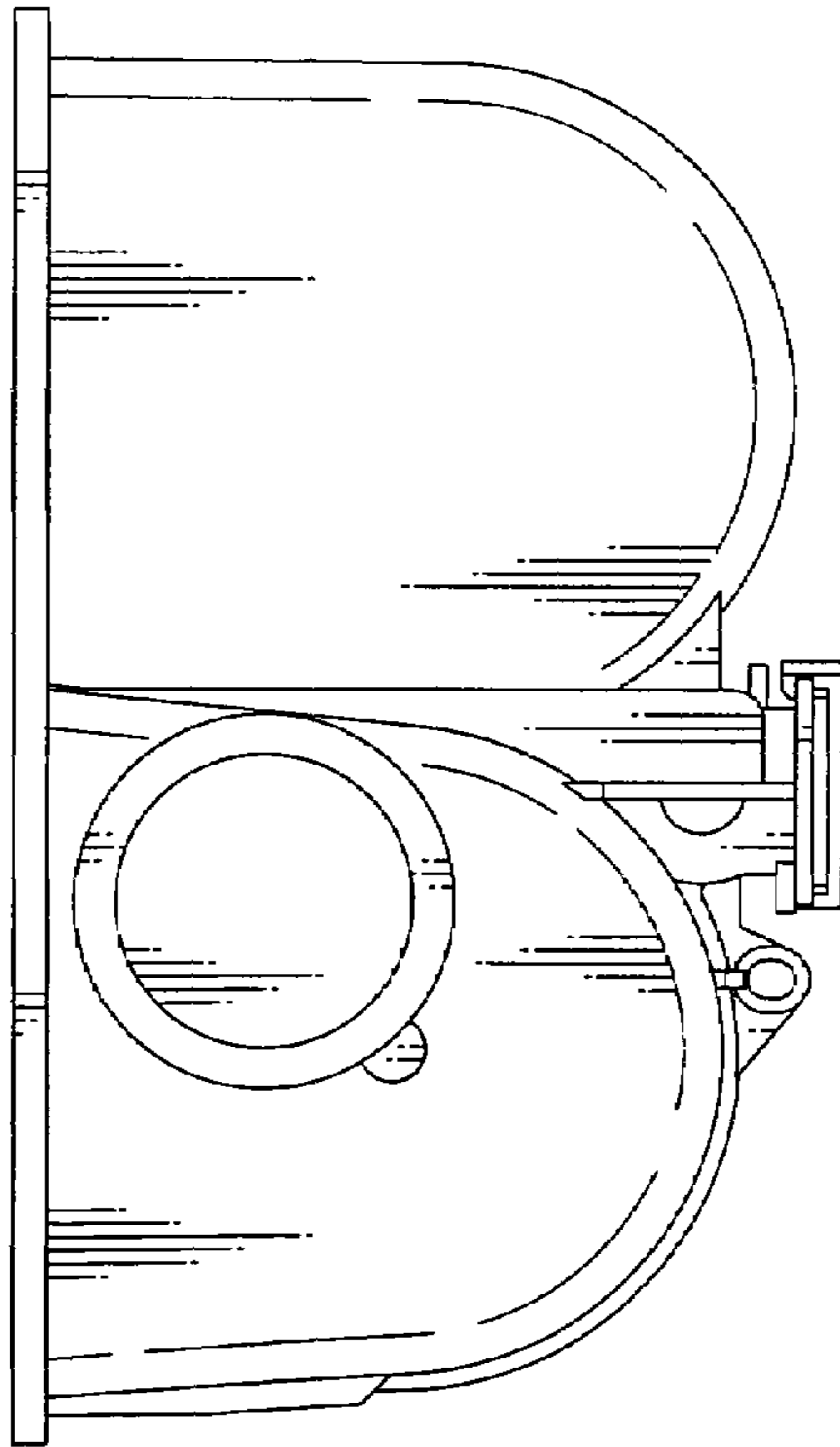


FIG.9