



US00D590437S

(12) **United States Design Patent**
Tanaka

(10) **Patent No.:** **US D590,437 S**
(45) **Date of Patent:** **** Apr. 14, 2009**

(54) **TONER CARTRIDGE**

JP 1333210 6/2008

(75) Inventor: **Yoshiaki Tanaka**, Numazu (JP)

* cited by examiner

(73) Assignee: **Toshiba Tec Kabushiki Kaisha** (JP)

Primary Examiner—Caron Veynar

Assistant Examiner—Garth Rademaker

(**) Term: **14 Years**

(74) *Attorney, Agent, or Firm*—Harness, Dickey & Pierce, P.L.C.

(21) Appl. No.: **29/308,327**

(22) Filed: **Jun. 10, 2008**

(57) **CLAIM**

(30) **Foreign Application Priority Data**

The ornamental design for a toner cartridge, as shown and described.

Dec. 11, 2007 (JP) 2007-033927

(51) **LOC (9) Cl.** **16-03**

(52) **U.S. Cl.** **D18/43**

(58) **Field of Classification Search** D14/471;
D18/12, 36, 40, 43, 44, 56; 222/DIG. 1;
347/197, 222; 399/24–28, 107–112, 119,
399/121, 122, 222–224

See application file for complete search history.

DESCRIPTION

FIG. 1 is a front, top and left side perspective view of a toner cartridge, showing my new design;

FIG. 2 is a rear, top and right side perspective view thereof;

FIG. 3 is a rear, top and left side perspective view thereof;

FIG. 4 is a rear, bottom and right side perspective view thereof;

FIG. 5 is a front view thereof;

FIG. 6 is a rear view thereof;

FIG. 7 is a top view thereof;

FIG. 8 is a bottom view thereof;

FIG. 9 is an enlarged right side view thereof; and,

FIG. 10 is an enlarged left side view thereof.

The broken lines depict environmental subject matter only and form no part of the claimed design.

(56) **References Cited**

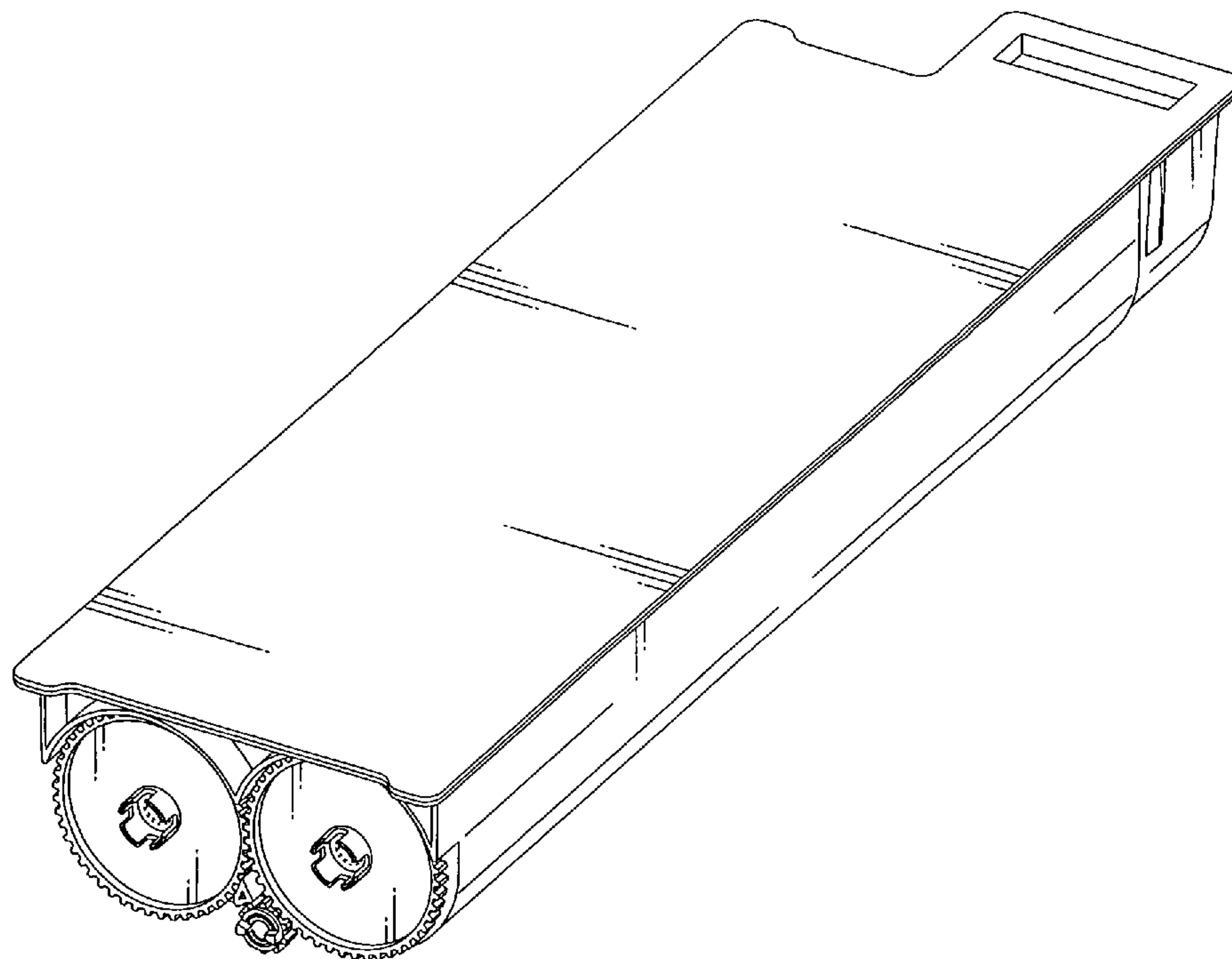
U.S. PATENT DOCUMENTS

D471,582 S * 3/2003 Mori D18/40
D559,894 S * 1/2008 Sato D18/43
D559,895 S * 1/2008 Sato D18/43
D559,896 S * 1/2008 Sato D18/43
D574,038 S * 7/2008 Sakabe D18/43
2007/0231017 A1 * 10/2007 Sato 399/262
2007/0269225 A1 * 11/2007 Sato 399/12

FOREIGN PATENT DOCUMENTS

JP 1333069 6/2008

1 Claim, 7 Drawing Sheets



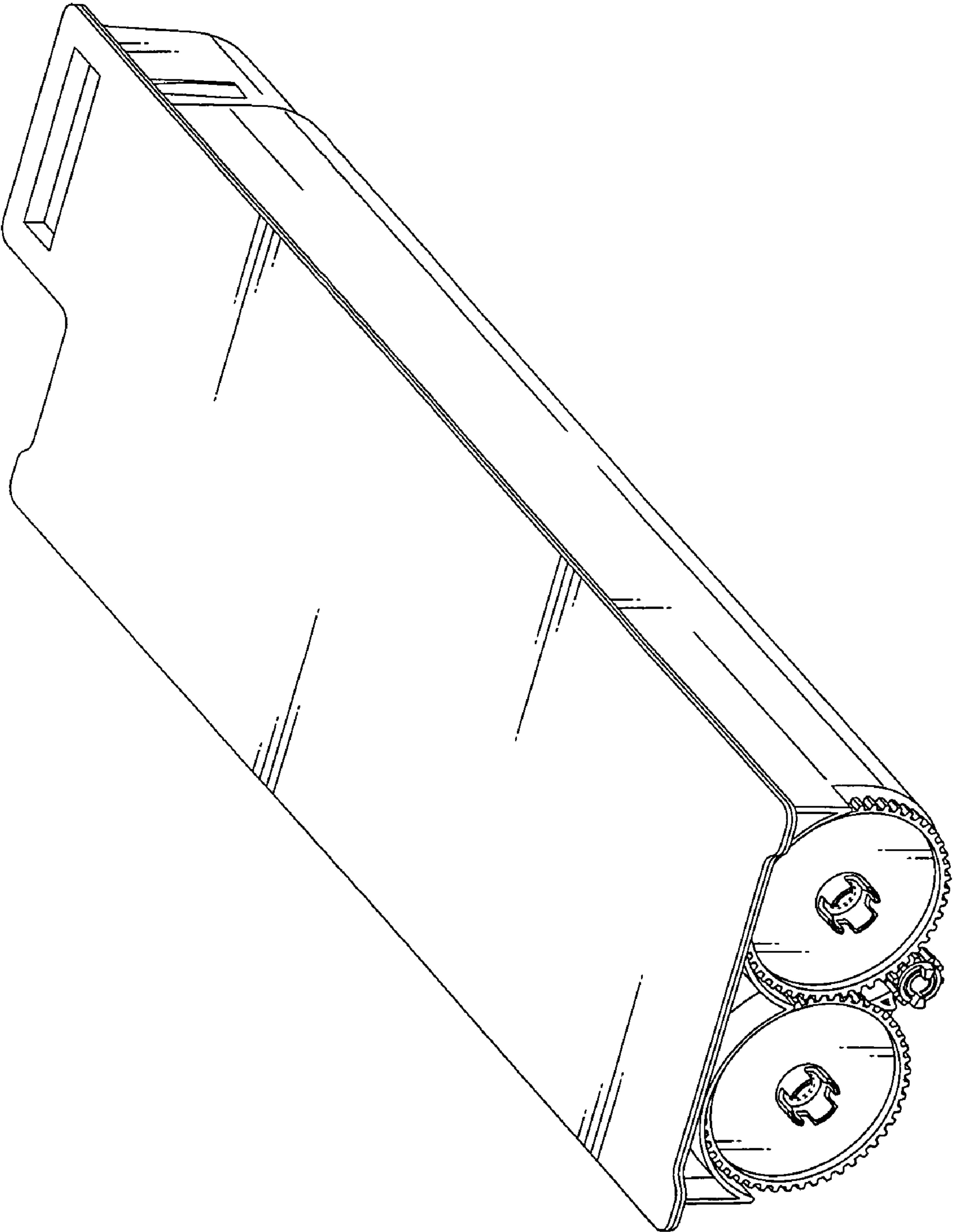


FIG.1

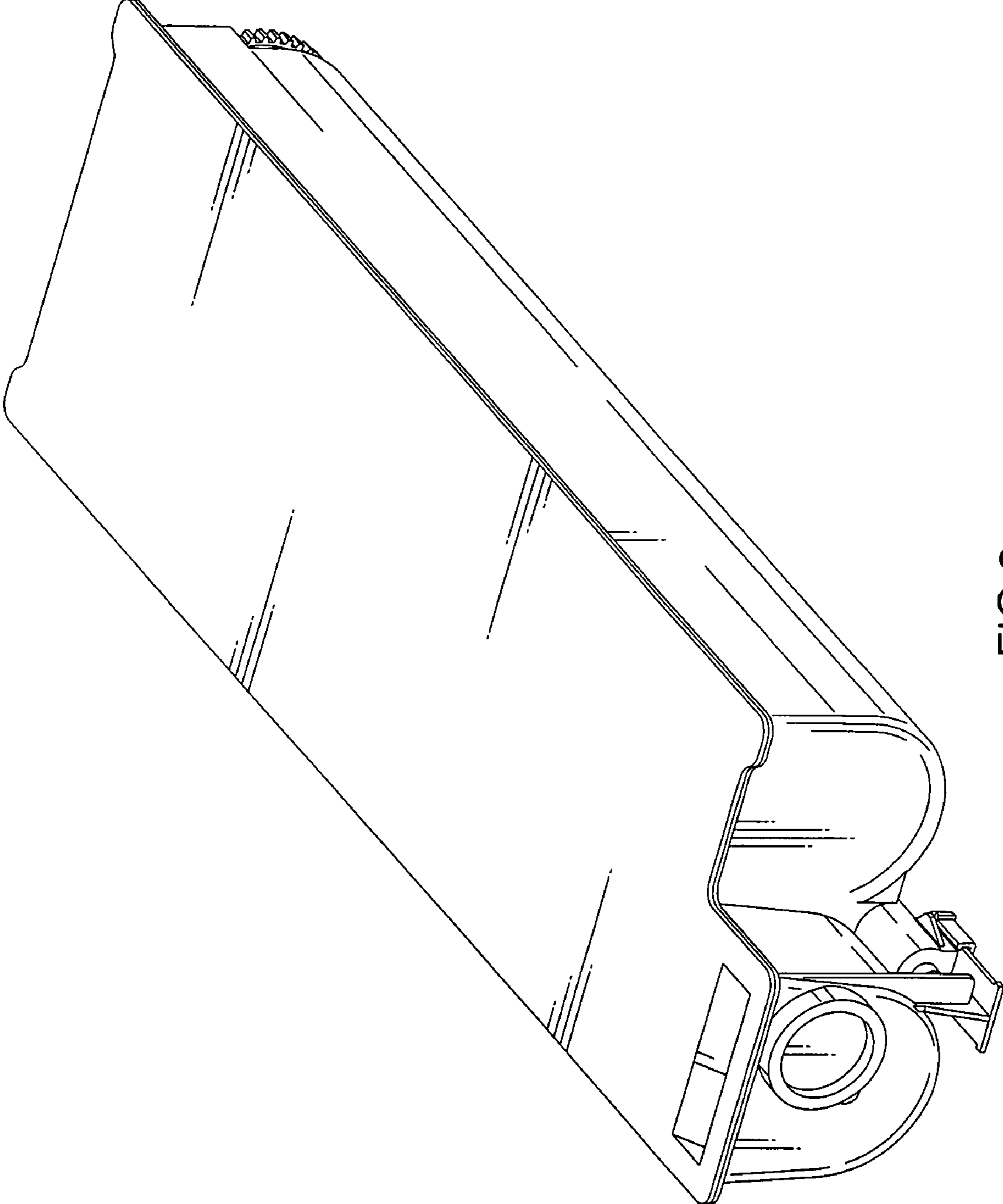


FIG.2

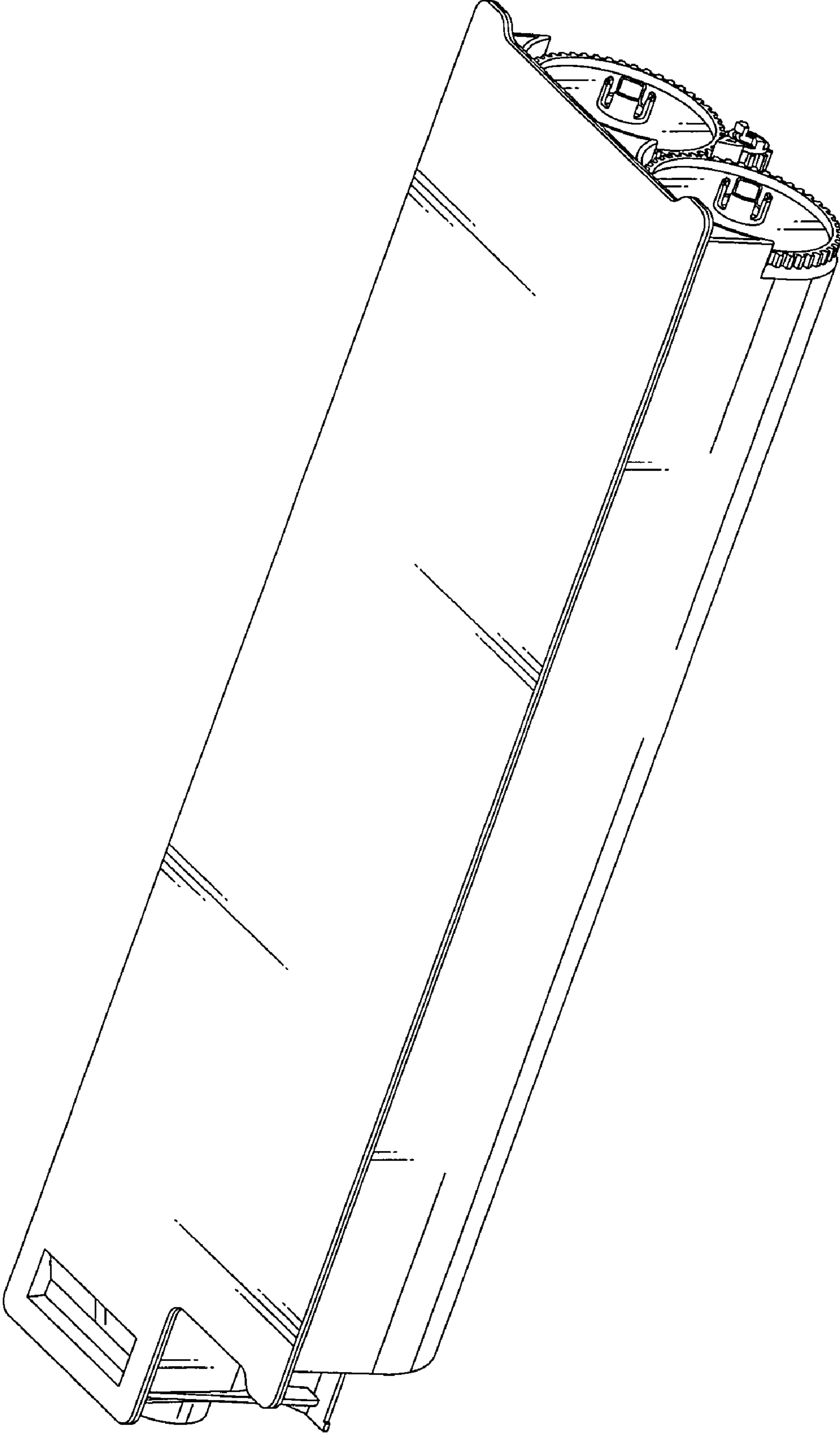


FIG.3

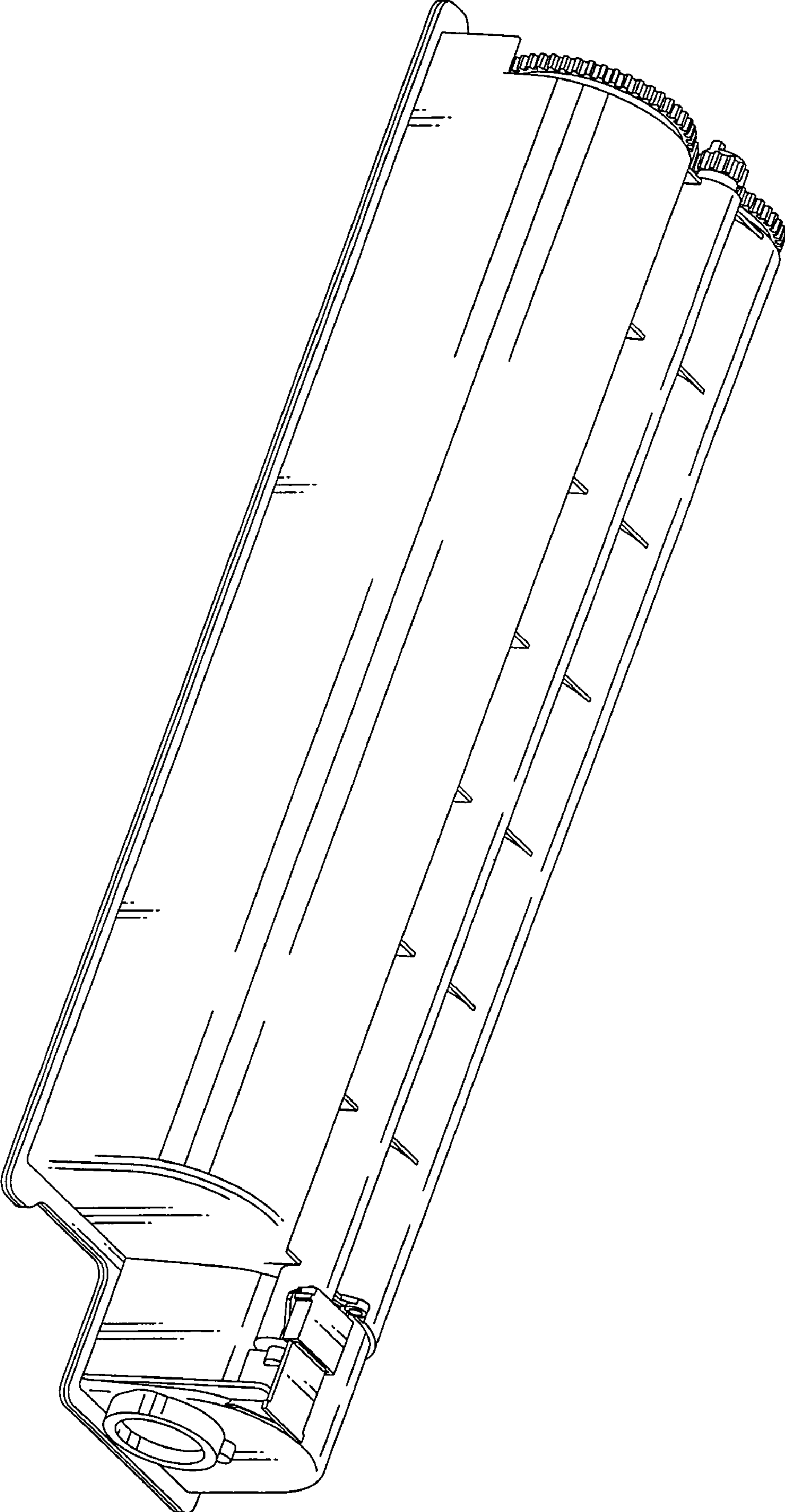


FIG.4

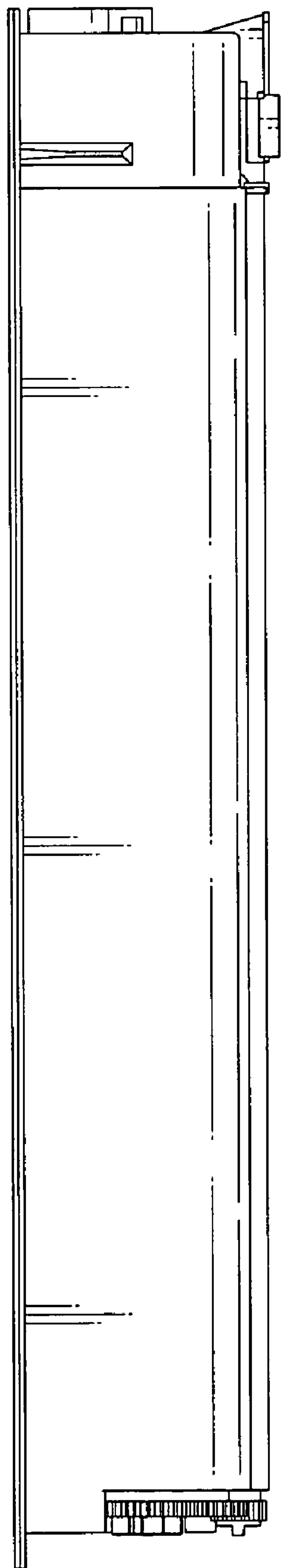


FIG. 5

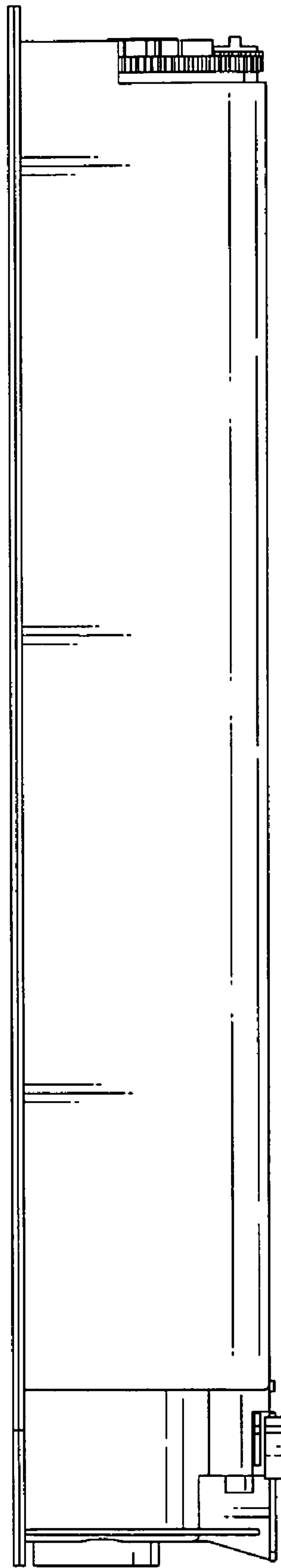


FIG. 6

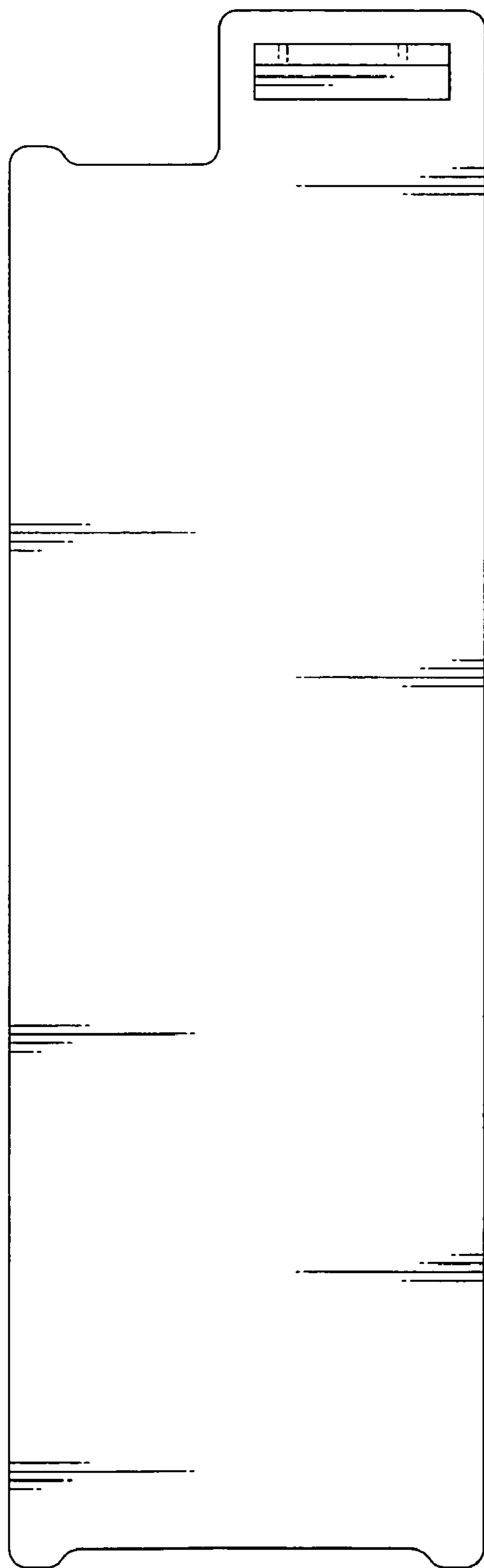


FIG. 7

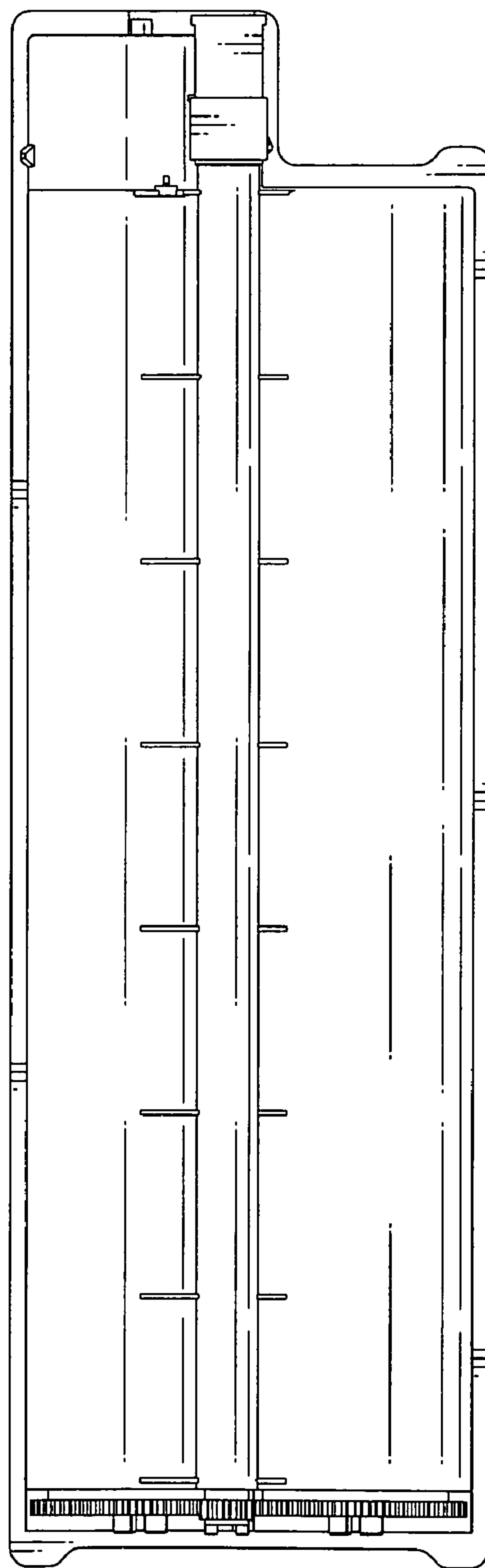


FIG. 8

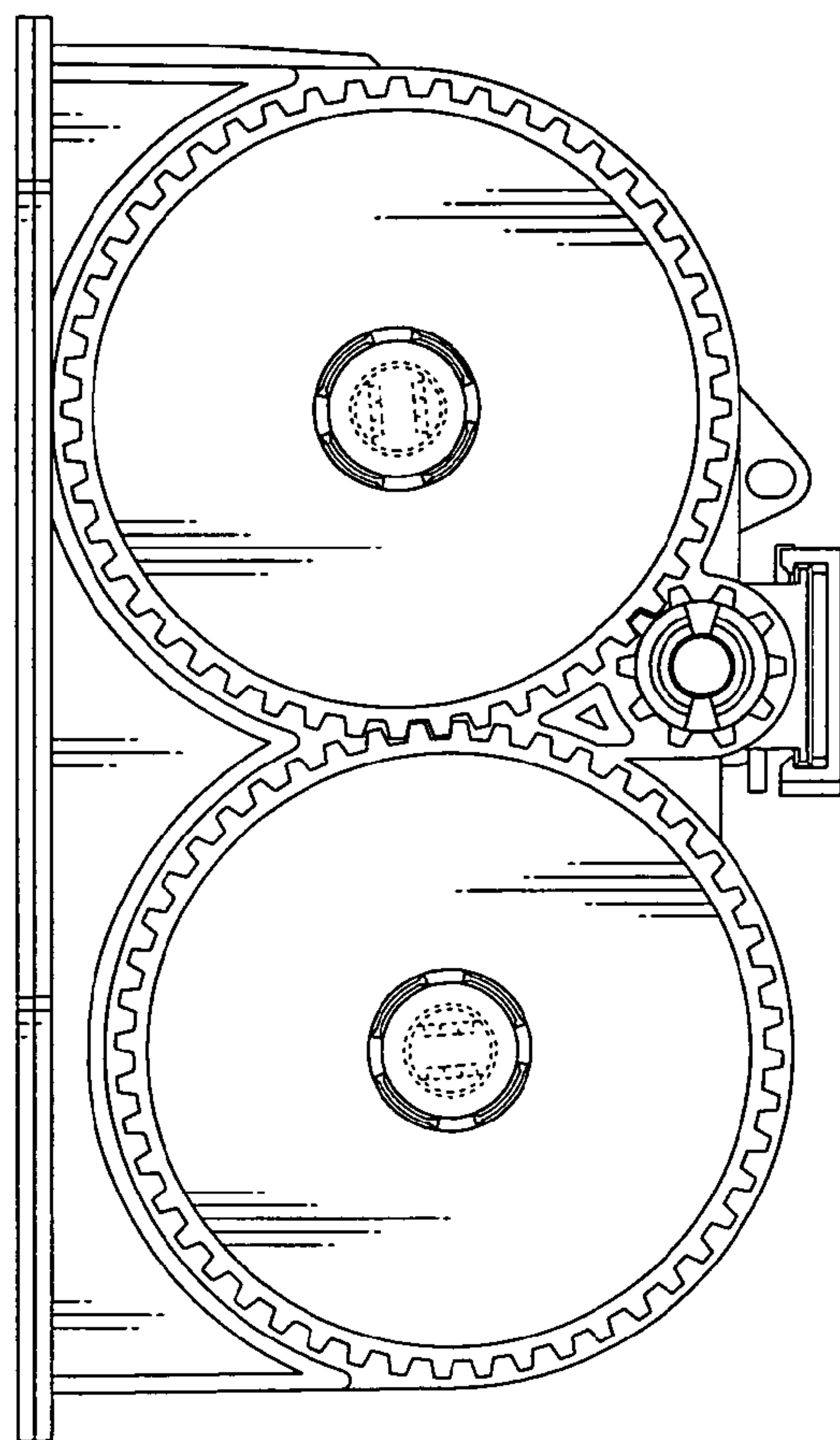


FIG.10

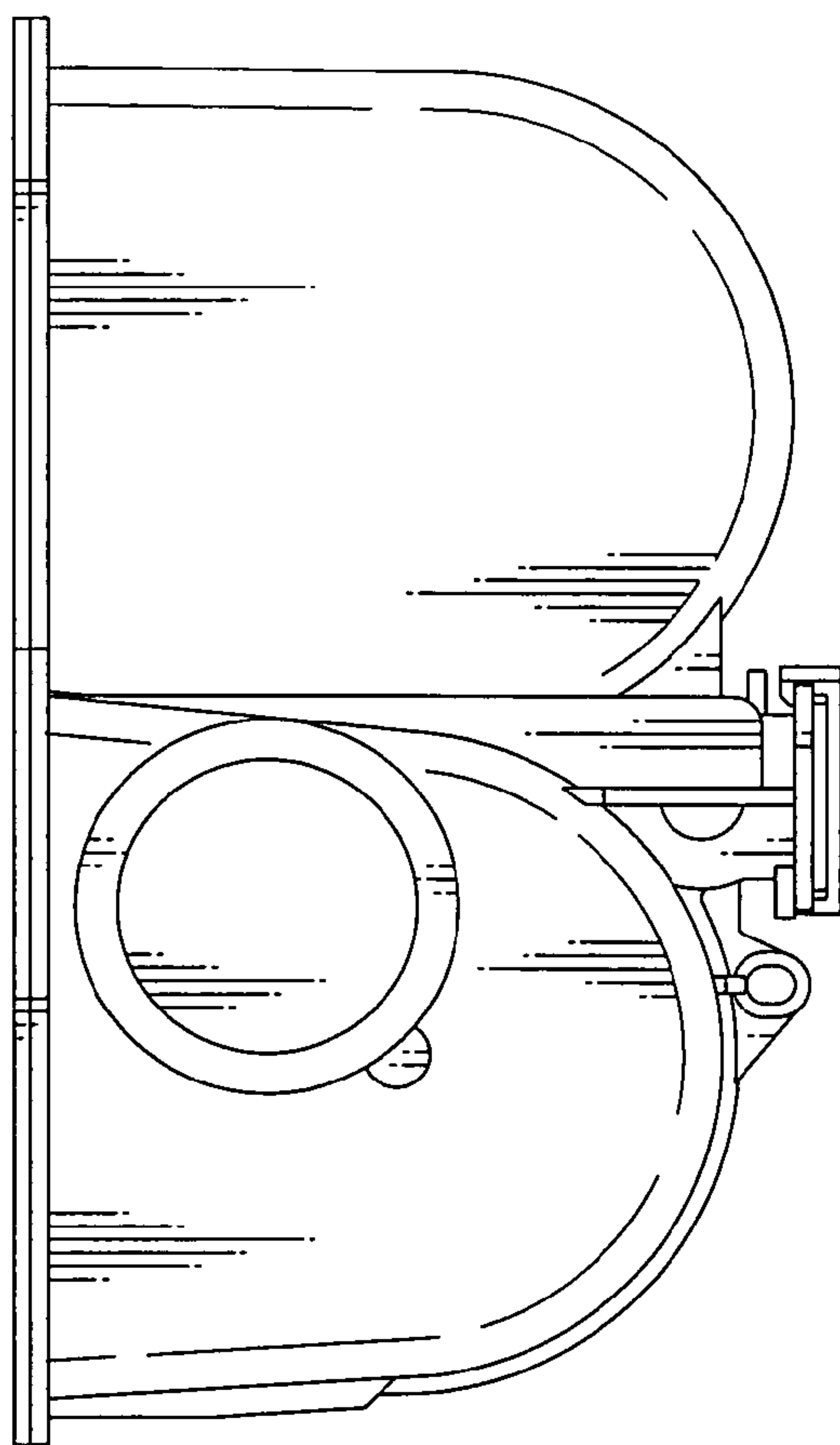


FIG.9