



US00D590435S

(12) **United States Design Patent**  
**Sued et al.**

(10) **Patent No.:** **US D590,435 S**  
(45) **Date of Patent:** **\*\* Apr. 14, 2009**

(54) **SHREDDER**

(76) Inventors: **Charles Sued**, C/O Executive Machines,  
P.O. Box 320150, Brooklyn, NY (US)  
11232; **Aron Abramson**, C/O Executive  
Machines, P.O. Box 320150, Brooklyn,  
NY (US) 11232

(\*\*) Term: **14 Years**

(21) Appl. No.: **29/322,659**

(22) Filed: **Aug. 8, 2008**

**Related U.S. Application Data**

(63) Continuation of application No. 29/281,588, filed on  
Jun. 26, 2007, now Pat. No. Des. 580,481.

(51) **LOC (9) Cl.** ..... **18-04**

(52) **U.S. Cl.** ..... **D18/34.9**; D18/6

(58) **Field of Classification Search** ..... D18/34.1–34.9;  
241/100, 236, 101.78, 36; 83/613, 614, 623,  
83/485, 57–68; 164/468; 30/294, 296.1,  
30/275.4, 276; D23/359

See application file for complete search history.

(56) **References Cited**

**U.S. PATENT DOCUMENTS**

D410,246	S	*	5/1999	Holderfield	.....	D18/34.6
D437,343	S	*	2/2001	Ho	.....	D18/34.6
D455,171	S	*	4/2002	Ho	.....	D18/34.6
D498,253	S	*	11/2004	Lo	.....	D18/34.6
D502,961	S	*	3/2005	Lo	.....	D18/34.6
6,964,386	B2	*	11/2005	Ho	.....	241/236
D532,444	S	*	11/2006	Kao et al.	.....	D18/34.4
D537,512	S	*	2/2007	Nakajima	.....	D23/359
7,226,009	B2	*	6/2007	Matlin et al.	.....	241/100
D555,716	S	*	11/2007	Chen	.....	D18/34.6
D557,732	S	*	12/2007	Ho	.....	D18/34.6
D557,733	S	*	12/2007	Ho	.....	D18/34.6
D557,735	S	*	12/2007	Ho	.....	D18/34.6

D557,783	S	*	12/2007	Yoo et al.	.....	D23/359
D565,714	S	*	4/2008	Wolff et al.	.....	D23/359
7,398,936	B1	*	7/2008	Wang	.....	241/100
2004/0188553	A1	*	9/2004	Lo	.....	241/36

\* cited by examiner

*Primary Examiner*—Charles A Rademaker

(74) *Attorney, Agent, or Firm*—Garcia-Zamor IP Law; Ruy  
M. Garcia-Zamor

(57) **CLAIM**

The ornamental design for a shredder, as shown and  
described.

**DESCRIPTION**

FIG. 1 is a perspective view of a shredder showing our new  
design;

FIG. 2 is a top plan view thereof;

FIG. 3 is a left side elevation thereof;

FIG. 4 is a bottom plan view thereof;

FIG. 5 is a right side elevation thereof;

FIG. 6 is a front elevation thereof;

FIG. 7 is a rear elevation thereof;

FIG. 8 is a perspective view of a modified embodiment of the  
design shown in FIGS. 1–7;

FIG. 9 is a top plan view thereof;

FIG. 10 is a left side elevation thereof;

FIG. 11 is a bottom plan view thereof;

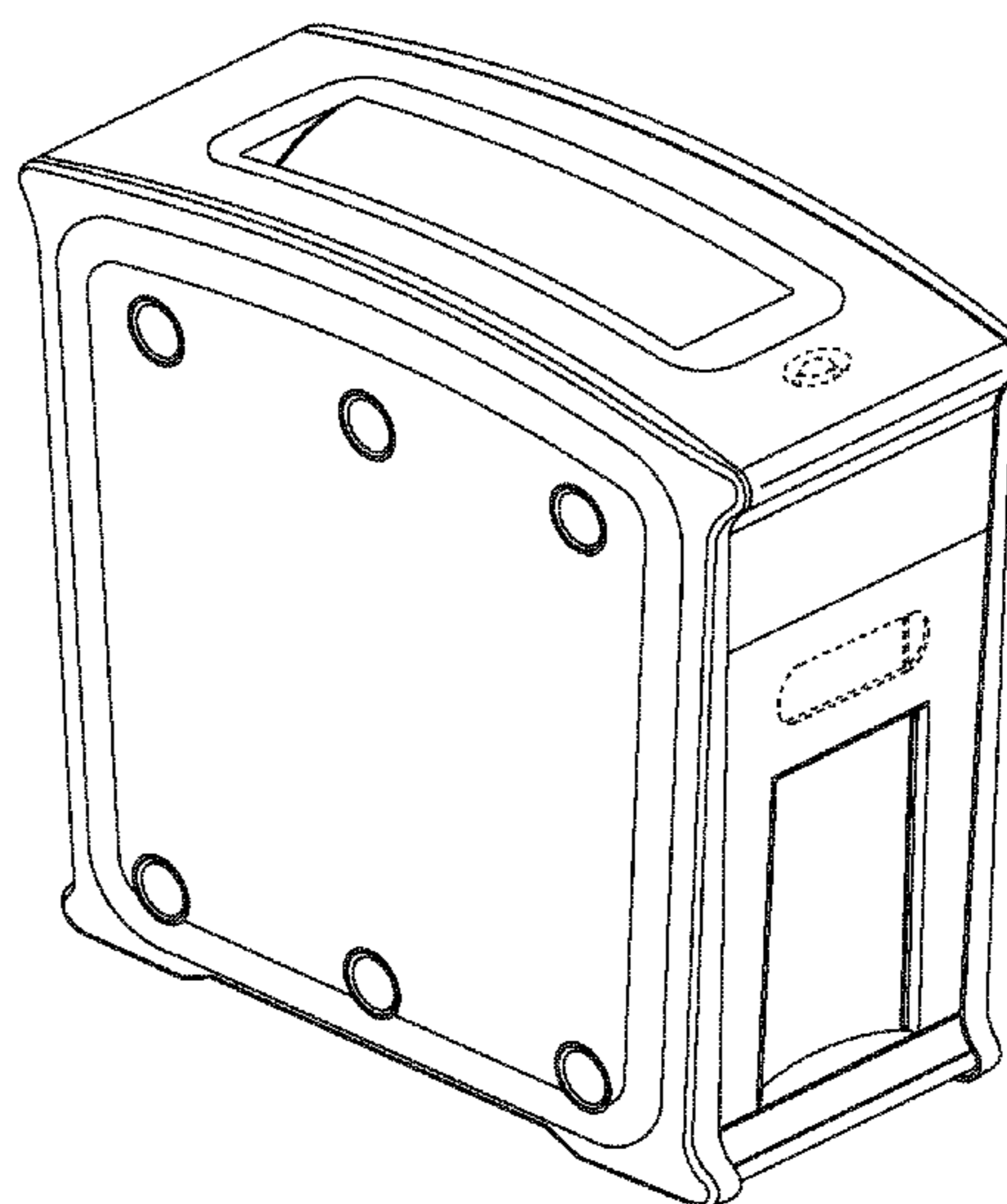
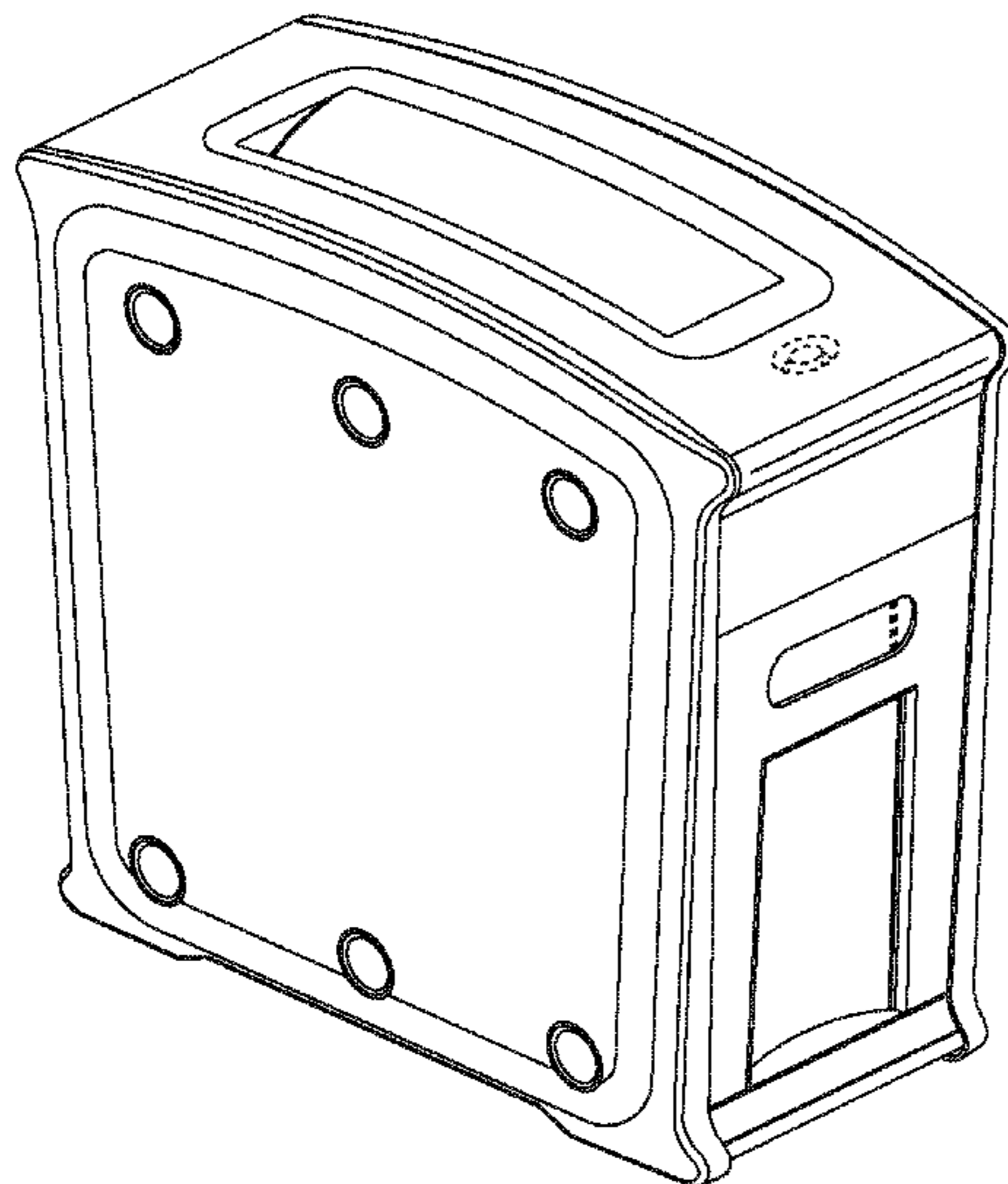
FIG. 12 is a right side elevation thereof;

FIG. 13 is a front elevation thereof; and,

FIG. 14 is a rear elevation thereof.

The broken lines shown in the drawings represent environ-  
mental structure and form no part of the claimed design.

**1 Claim, 8 Drawing Sheets**



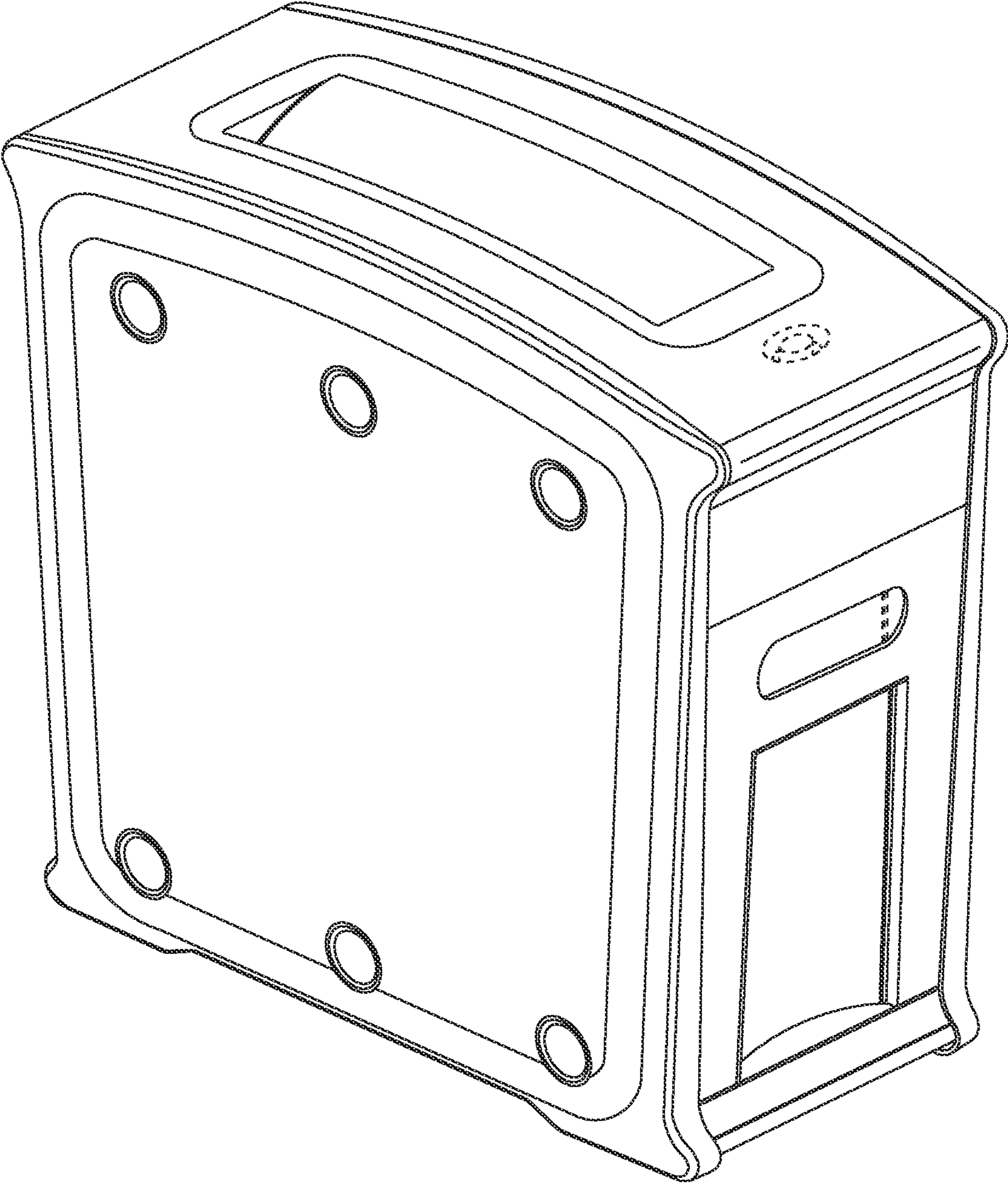


FIG. 1

FIG. 2

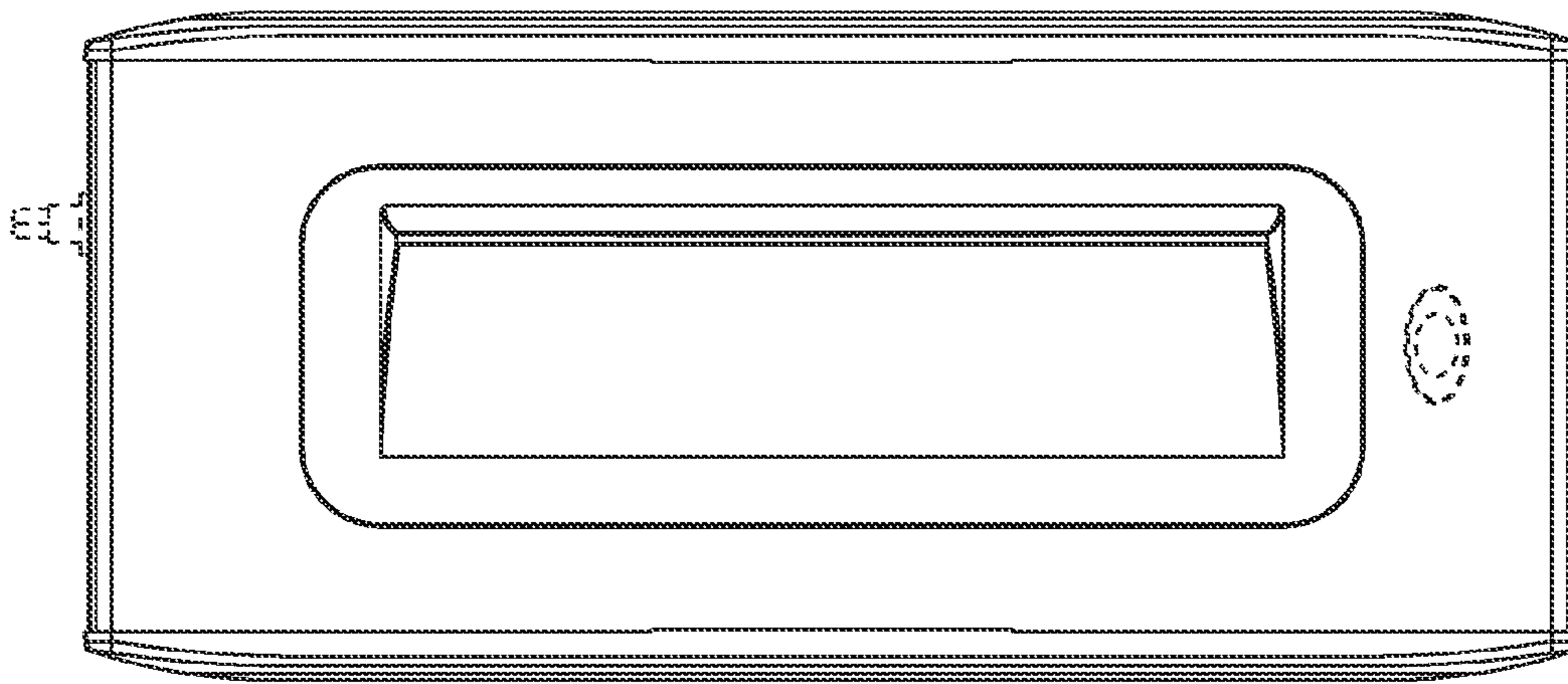


FIG. 3

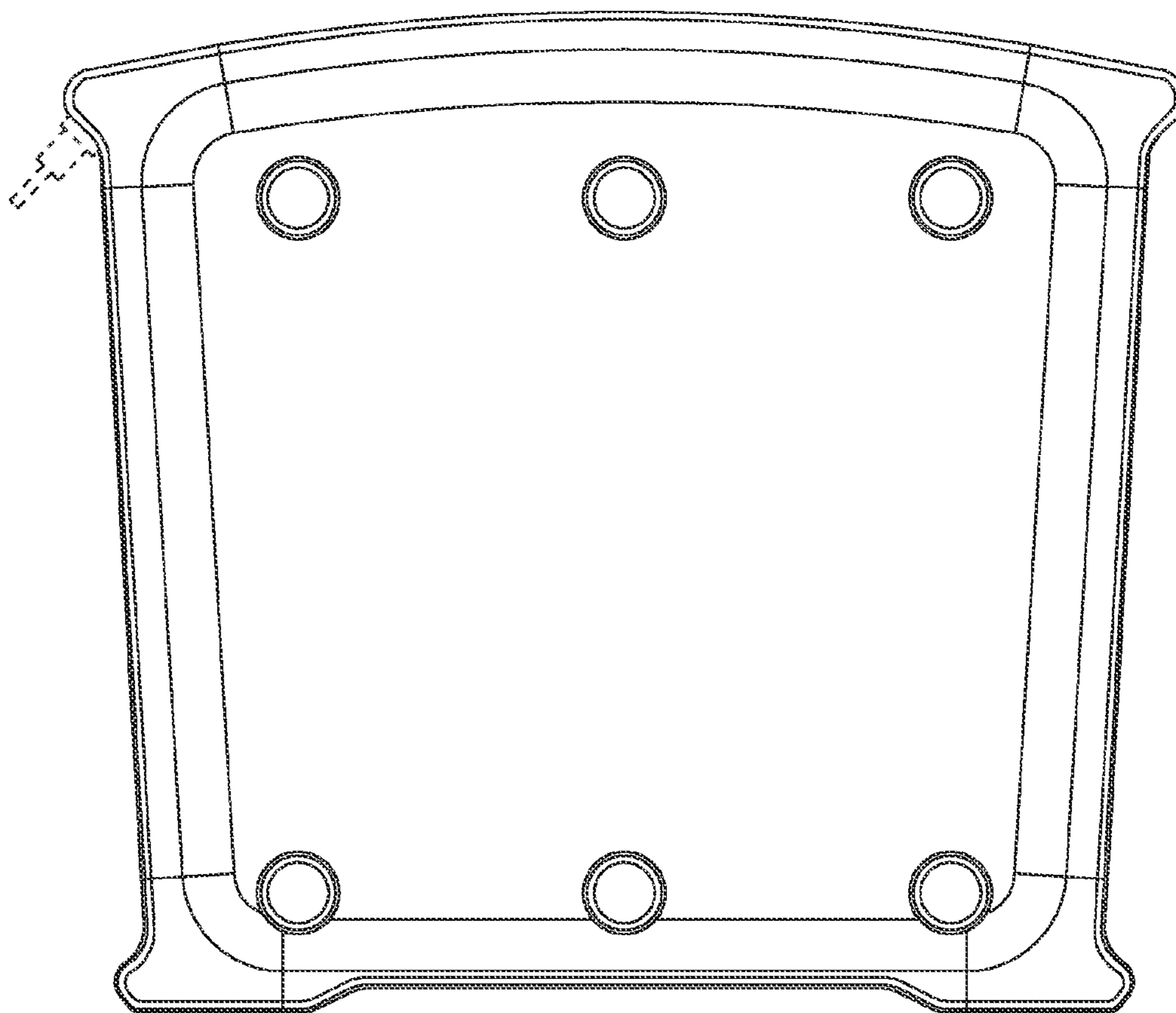


FIG. 4

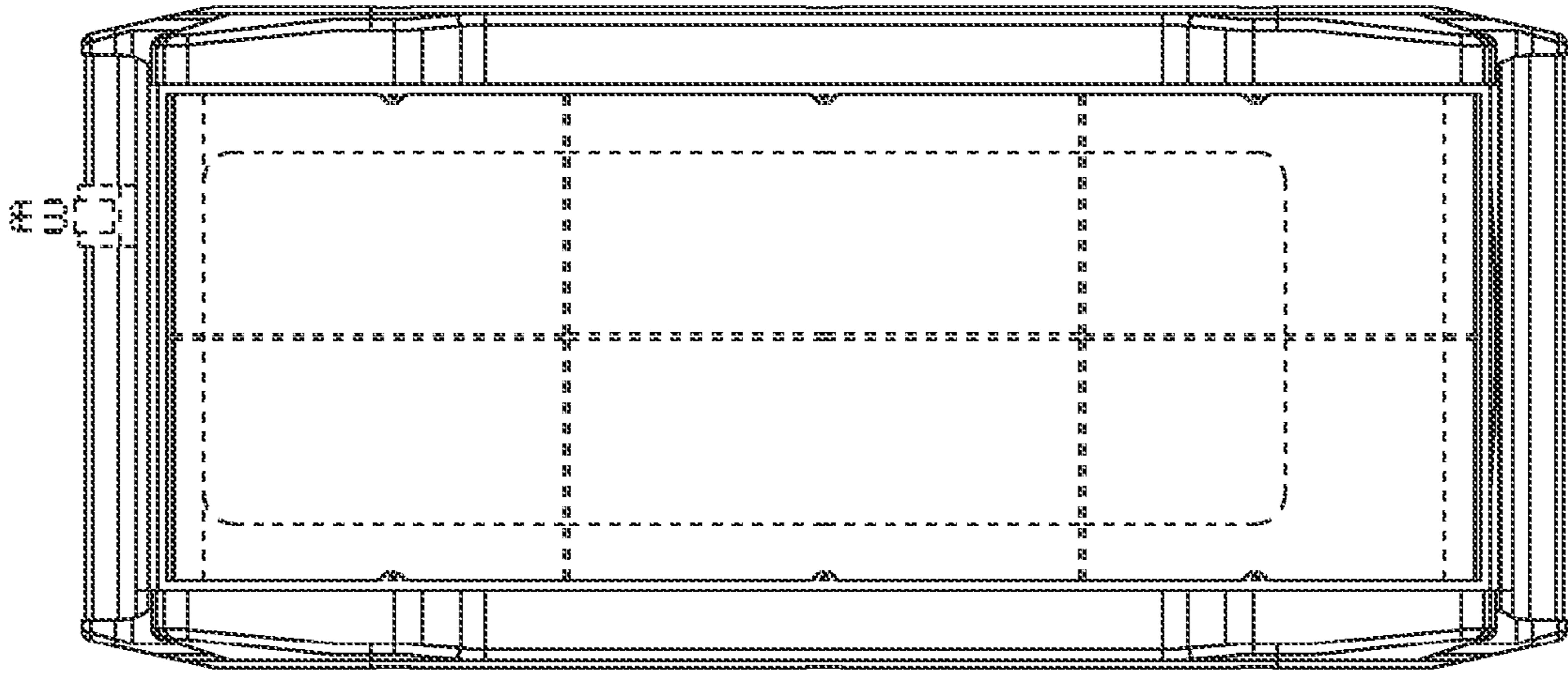


FIG. 5

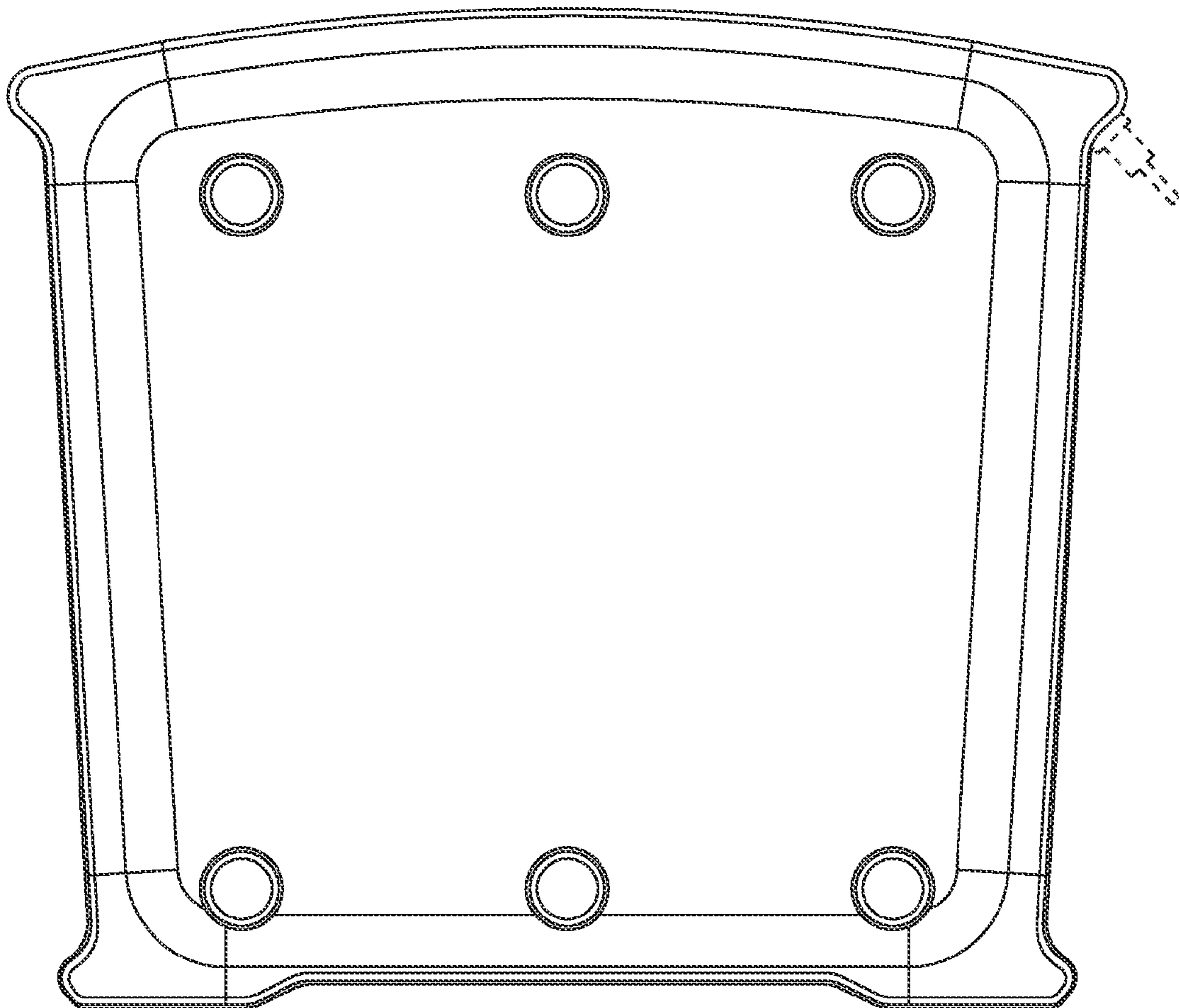


FIG. 6

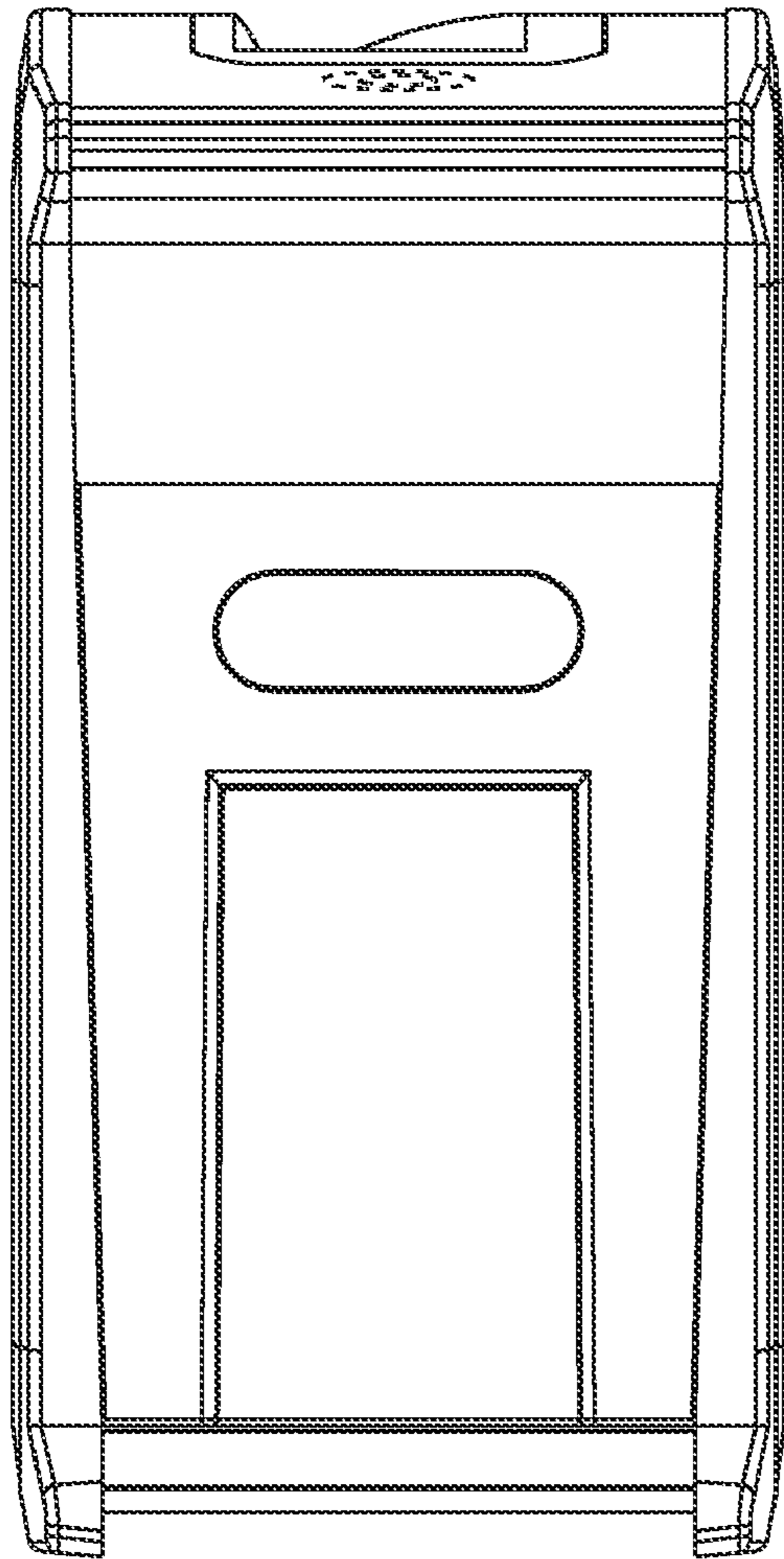
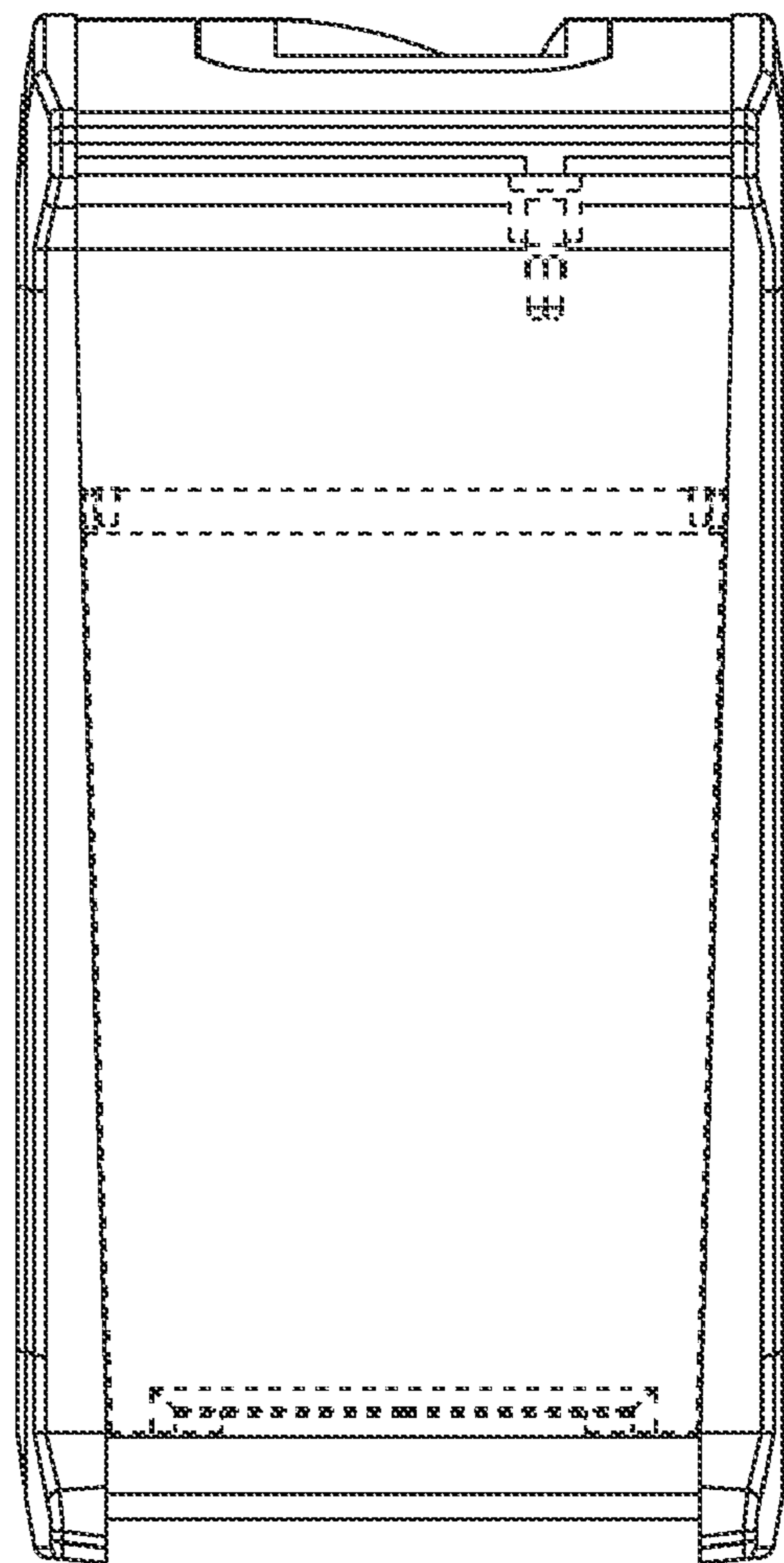


FIG. 7



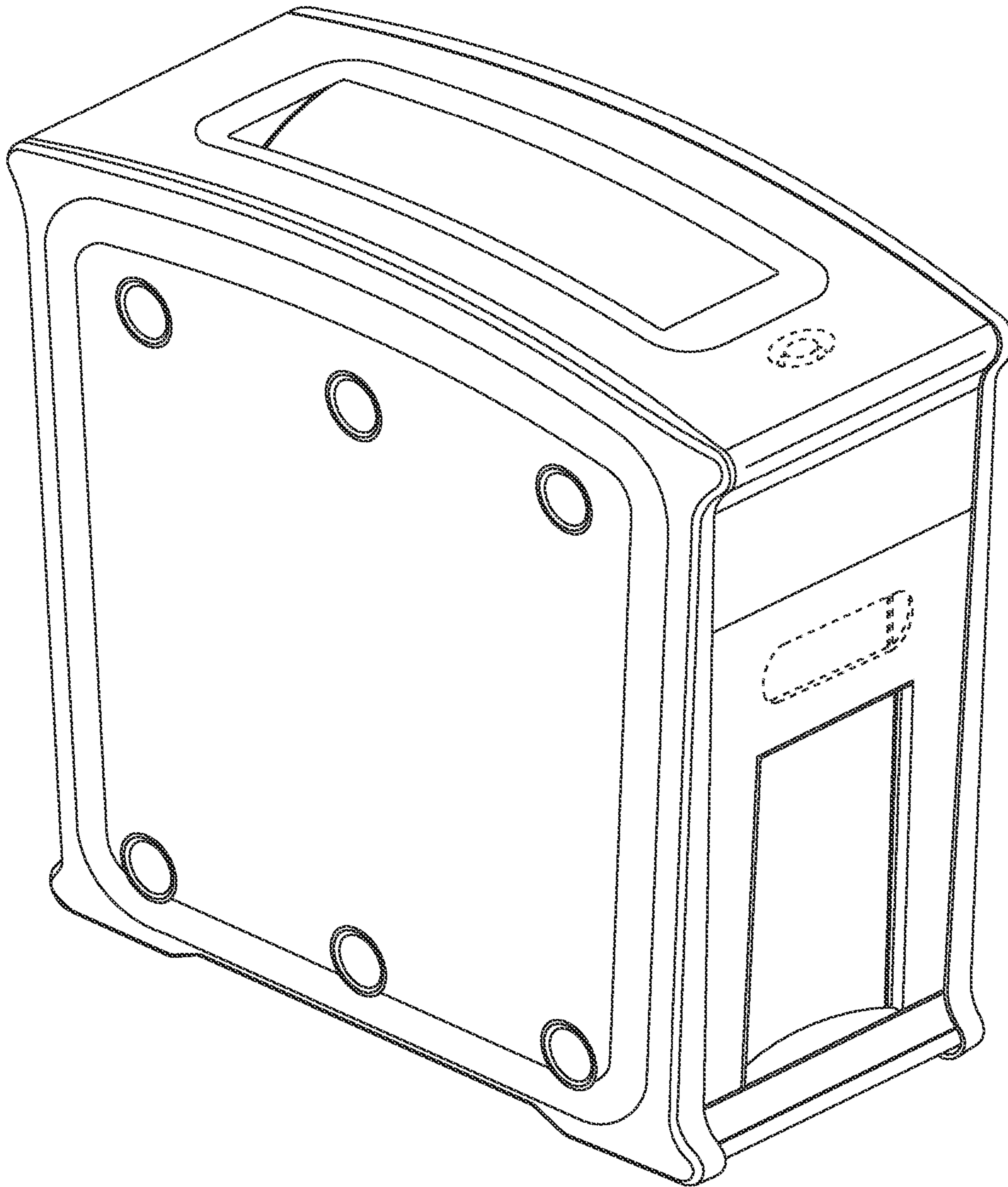


FIG. 8

FIG. 9

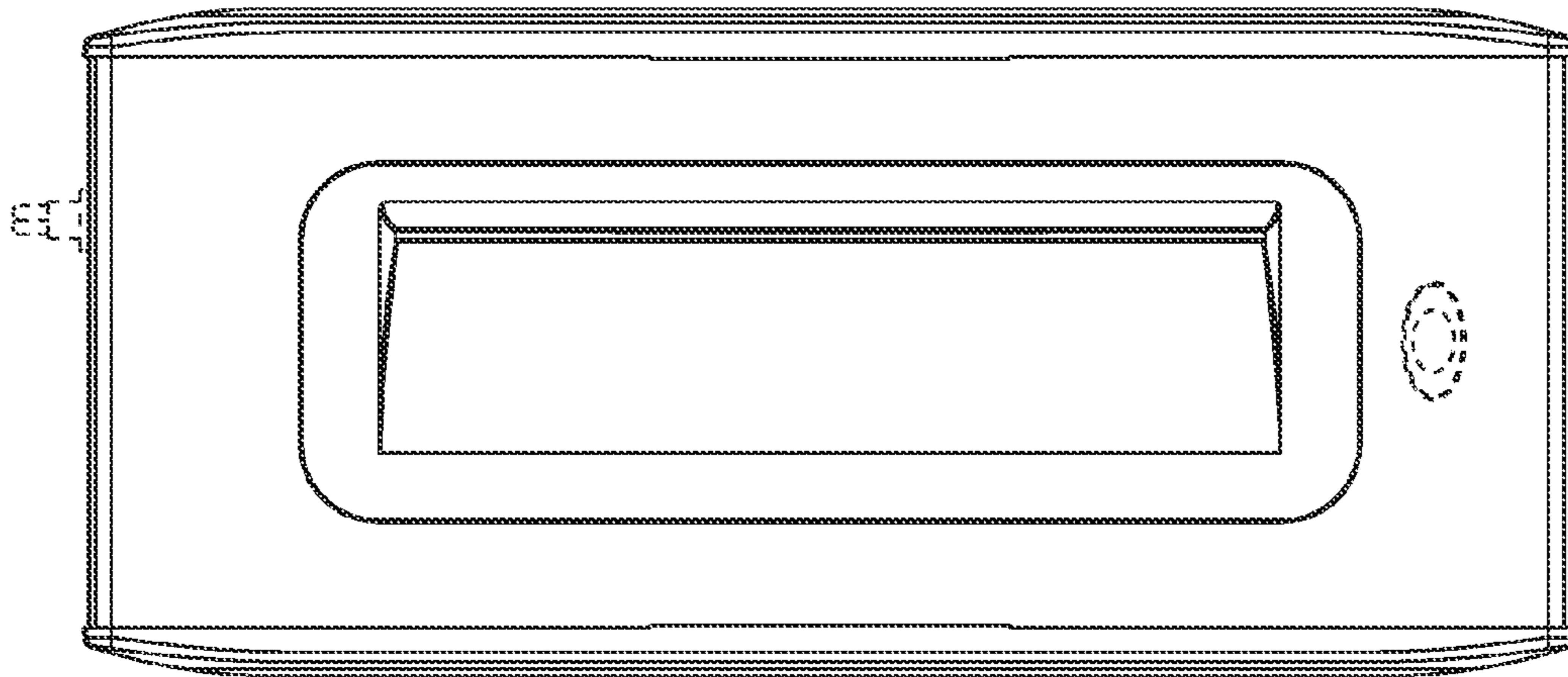


FIG. 10

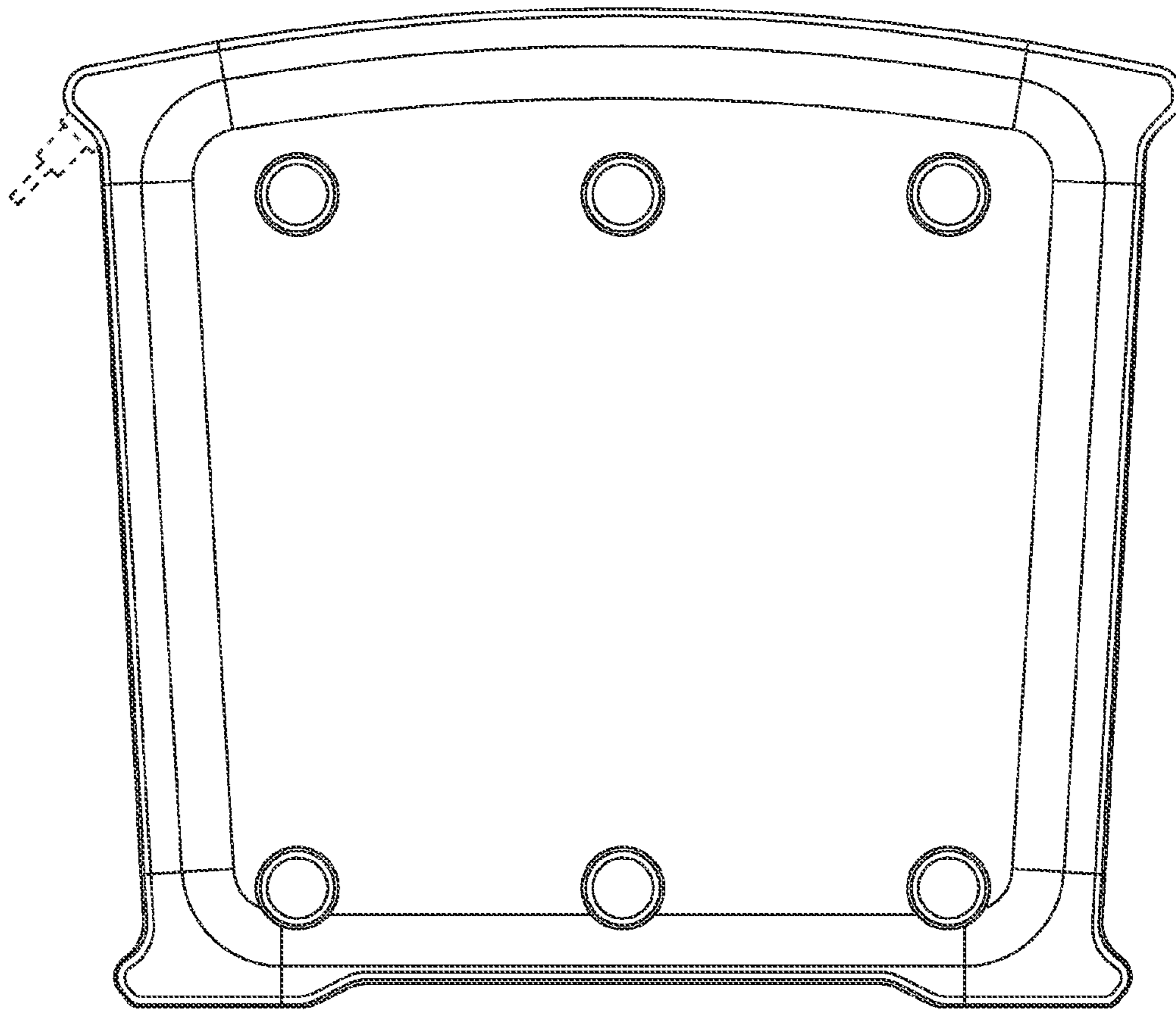


FIG. 11

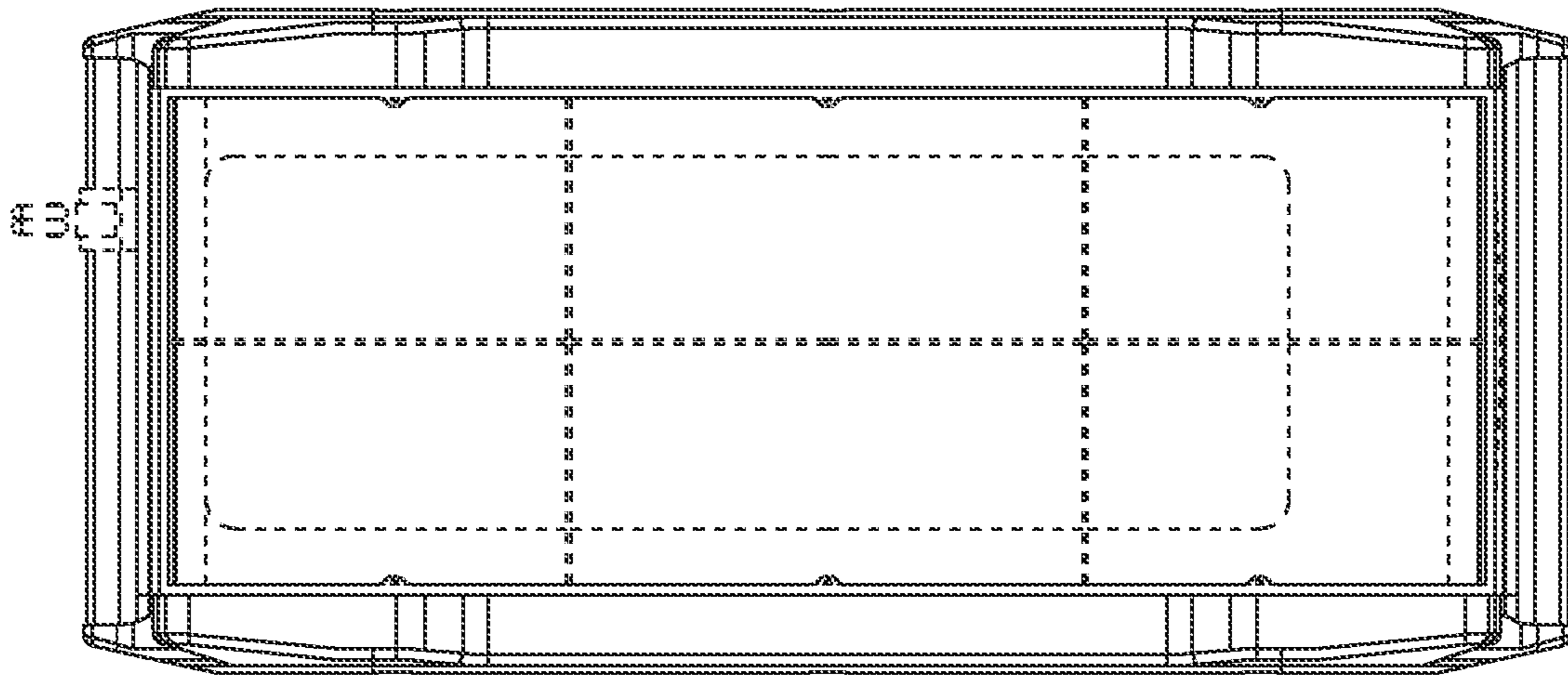


FIG. 12

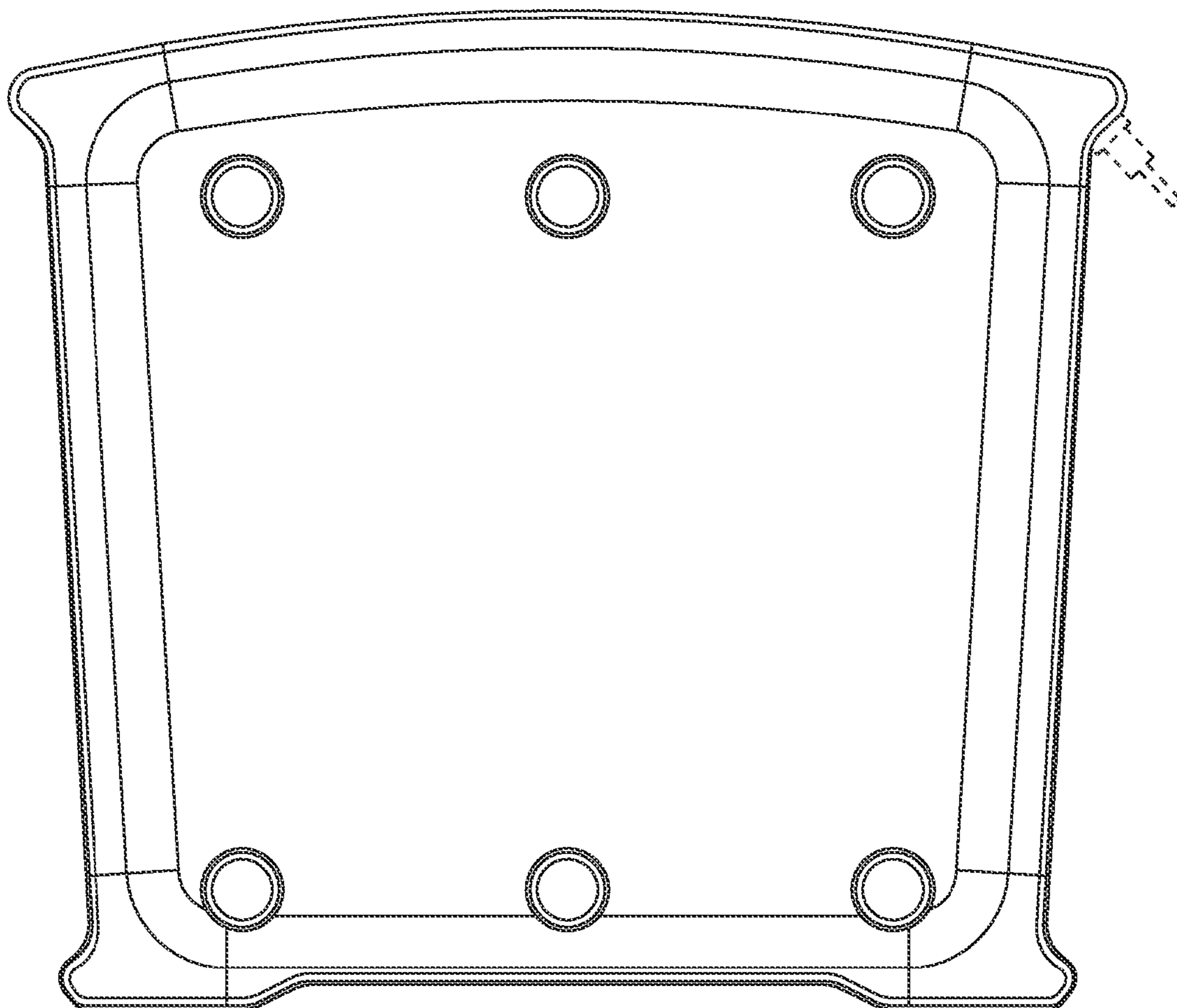




FIG. 13

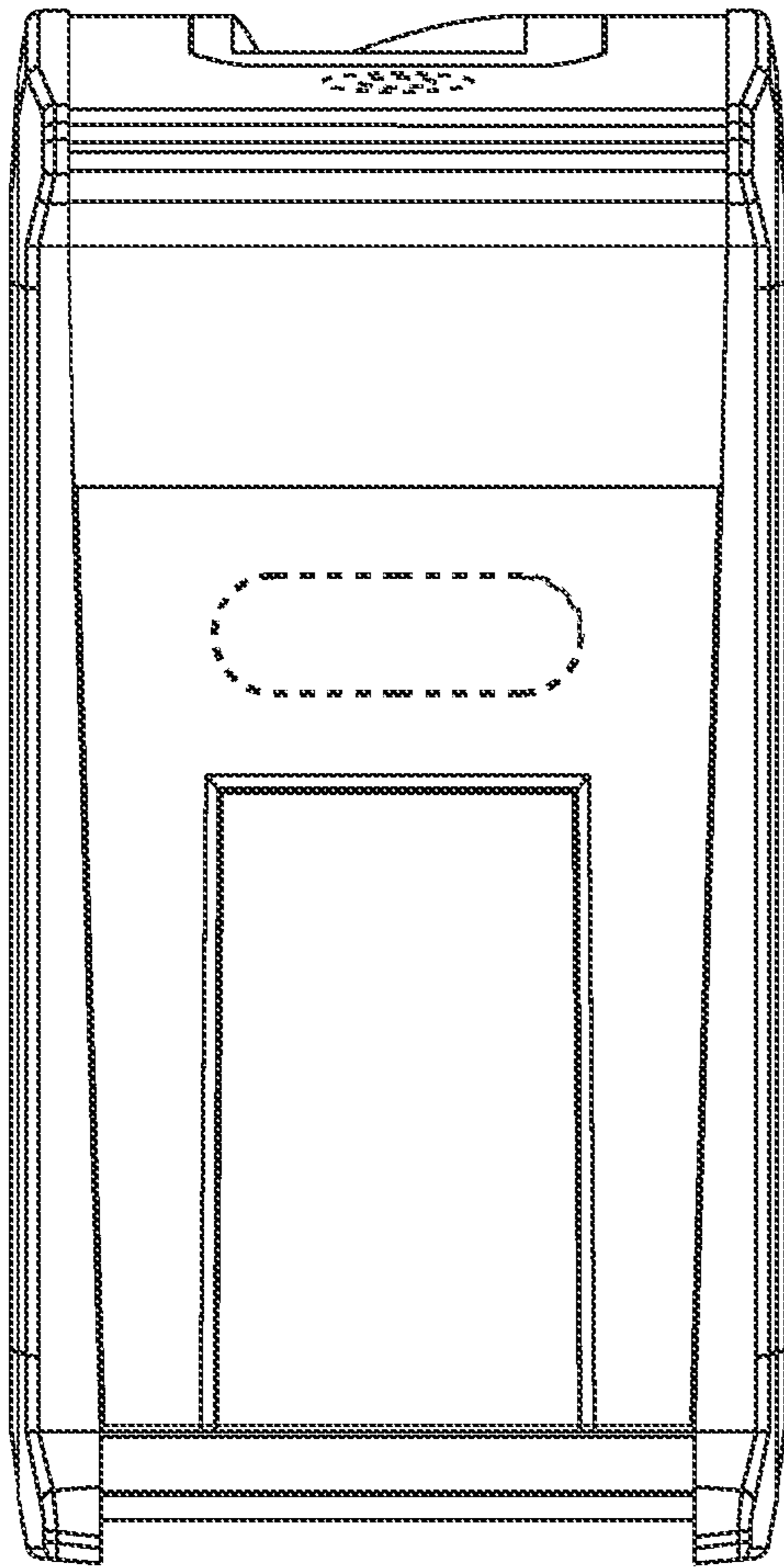


FIG. 14

