



US00D590429S

(12) **United States Design Patent**
Young et al.

(10) **Patent No.:** **US D590,429 S**

(45) **Date of Patent:** **** Apr. 14, 2009**

(54) **PROJECTOR**

7,018,053 B2 * 3/2006 Dwyer et al. 353/119
7,246,908 B2 * 7/2007 Salvatori et al. 353/119

(75) Inventors: **Garrett Young**, 1713 S. Second St.,
Oskaloosa, IA (US) 52577; **Timothy**
Patrick Linahon, Newton, IA (US)

* cited by examiner

Primary Examiner—Adir Aronovich

(73) Assignee: **Garrett Young**, Sully, IA (US)

(74) *Attorney, Agent, or Firm*—Schwegman, Lundberg &
Woessner, P.A.

(**) Term: **14 Years**

(57) **CLAIM**

(21) Appl. No.: **29/303,934**

The ornamental design for a projector, as shown and
described.

(22) Filed: **Feb. 20, 2008**

(51) **LOC (9) Cl.** **16-02**

DESCRIPTION

(52) **U.S. Cl.** **D16/221**

FIG. 1 is a top, front and right side perspective view of a
projector showing our new design;

(58) **Field of Classification Search** D16/205,
D16/208, 221, 222, 225, 230, 231; D21/514;
353/115, 119, 122

FIG. 2 is a front elevational view thereof;

See application file for complete search history.

FIG. 3 is a rear elevational view thereof;

(56) **References Cited**

U.S. PATENT DOCUMENTS

D163,504 S *	5/1951	Wottring	D16/222
2,916,964 A *	12/1959	Paulsohn	353/115
3,448,950 A *	6/1969	Kluge	353/122
D320,030 S *	9/1991	Allen	D16/221
D390,247 S *	2/1998	Shoji et al.	D16/230
D514,611 S *	2/2006	Schoenert et al.	D16/221

FIG. 4 is a left side elevational view thereof;

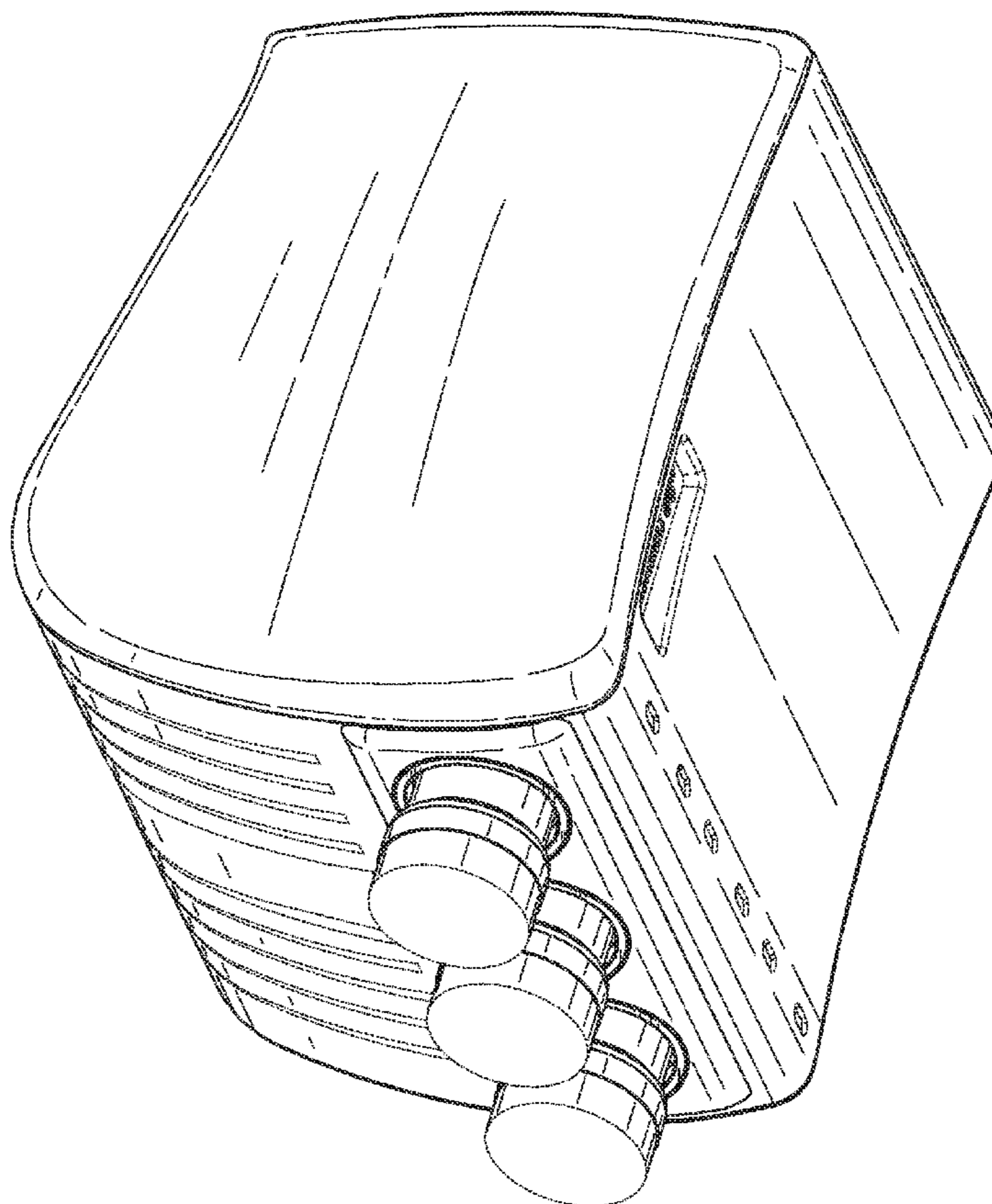
FIG. 5 is a right side elevational view thereof;

FIG. 6 is a top plan view thereof; and,

FIG. 7 is a bottom plan view thereof.

The broken line showing is for illustrative purposes only and
forms no part of the claimed design.

1 Claim, 7 Drawing Sheets



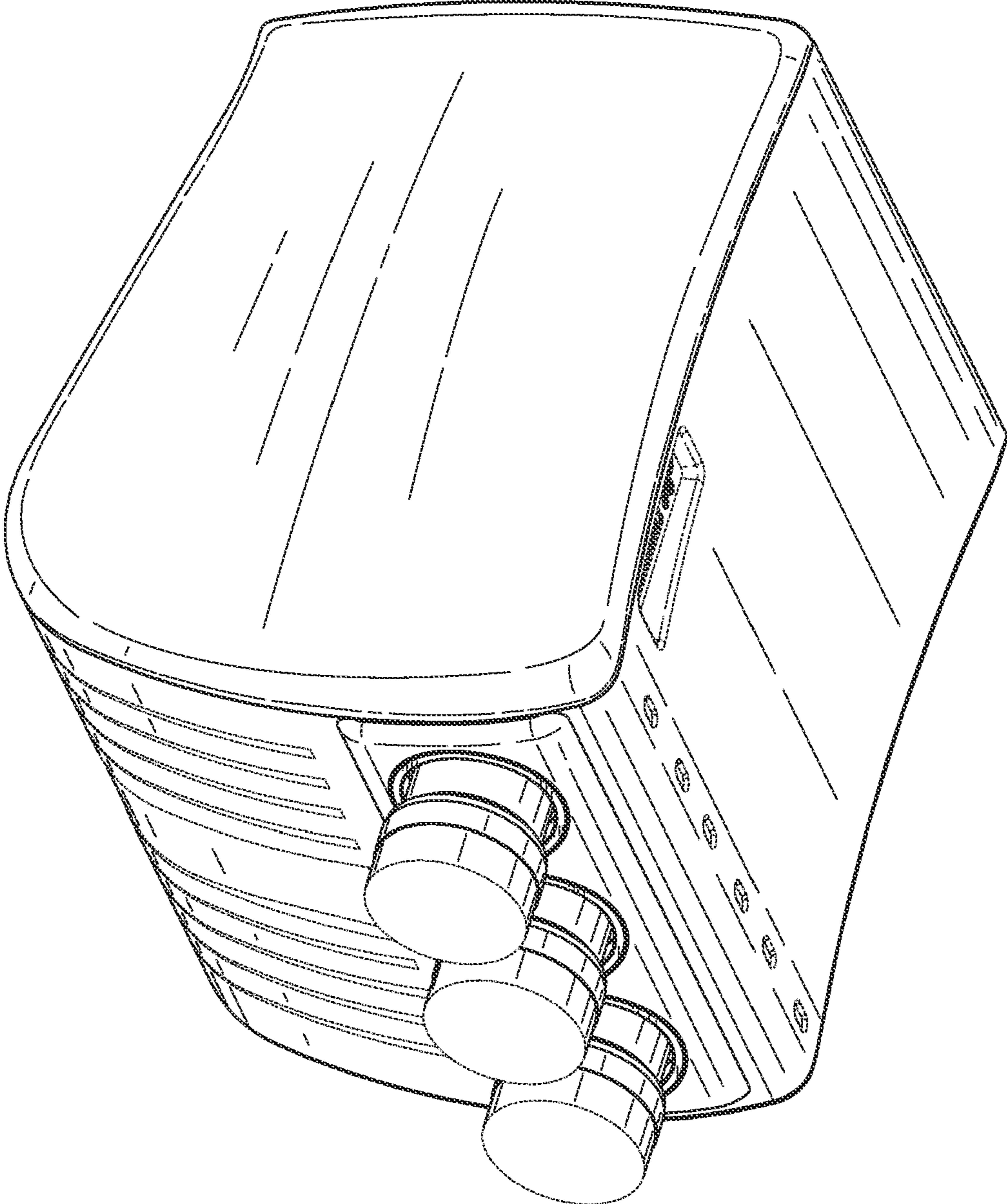


FIG. 1

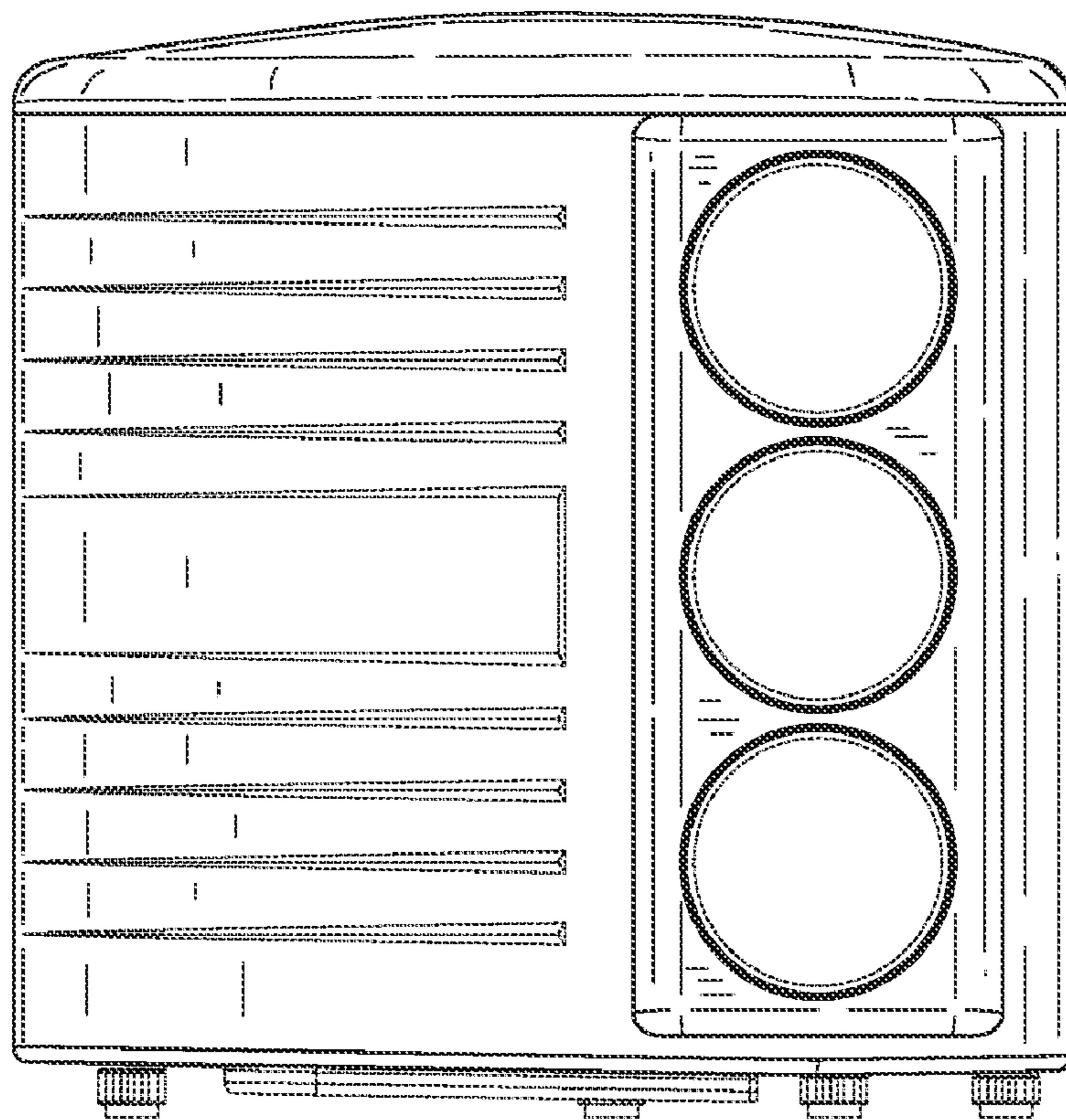


FIG.2

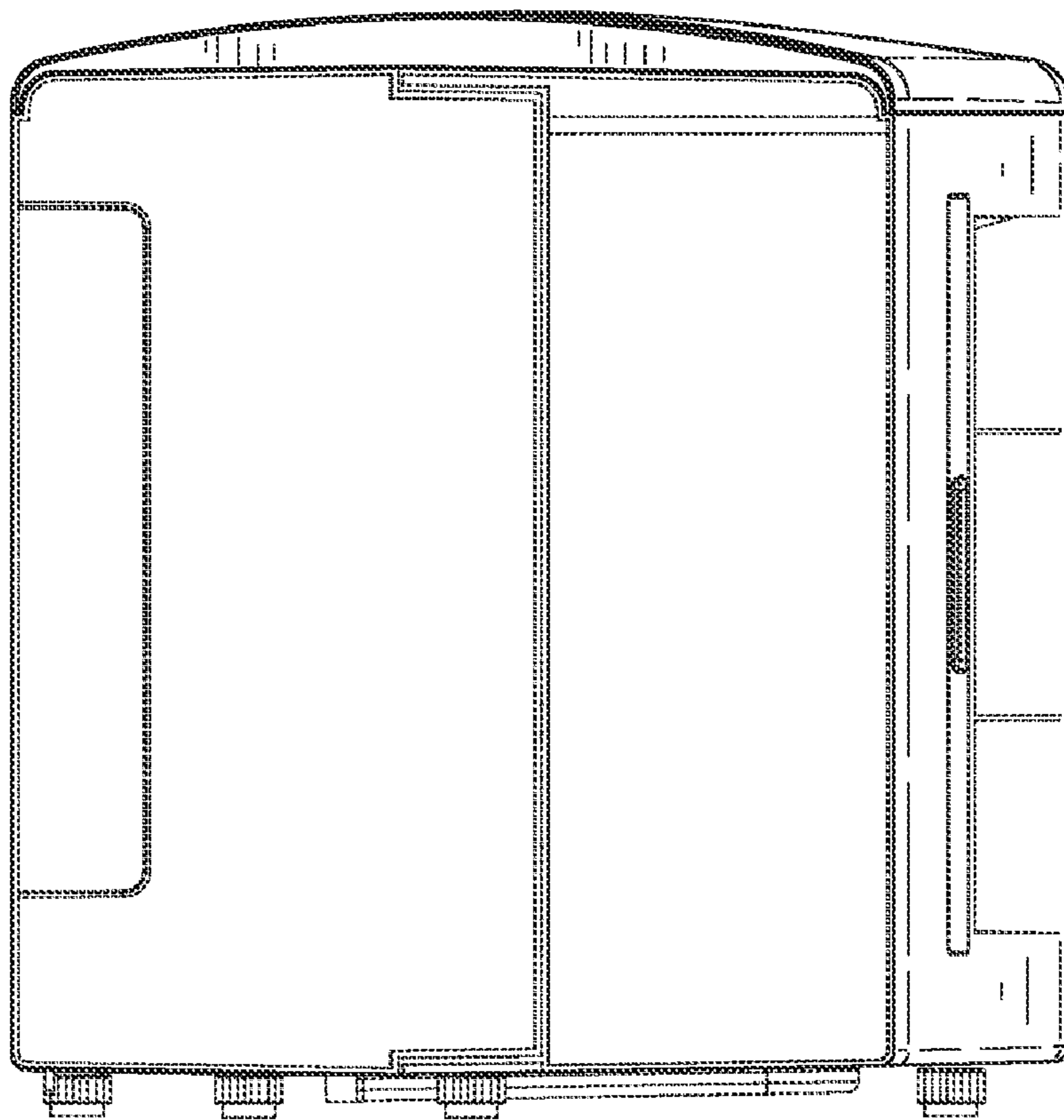


FIG. 3

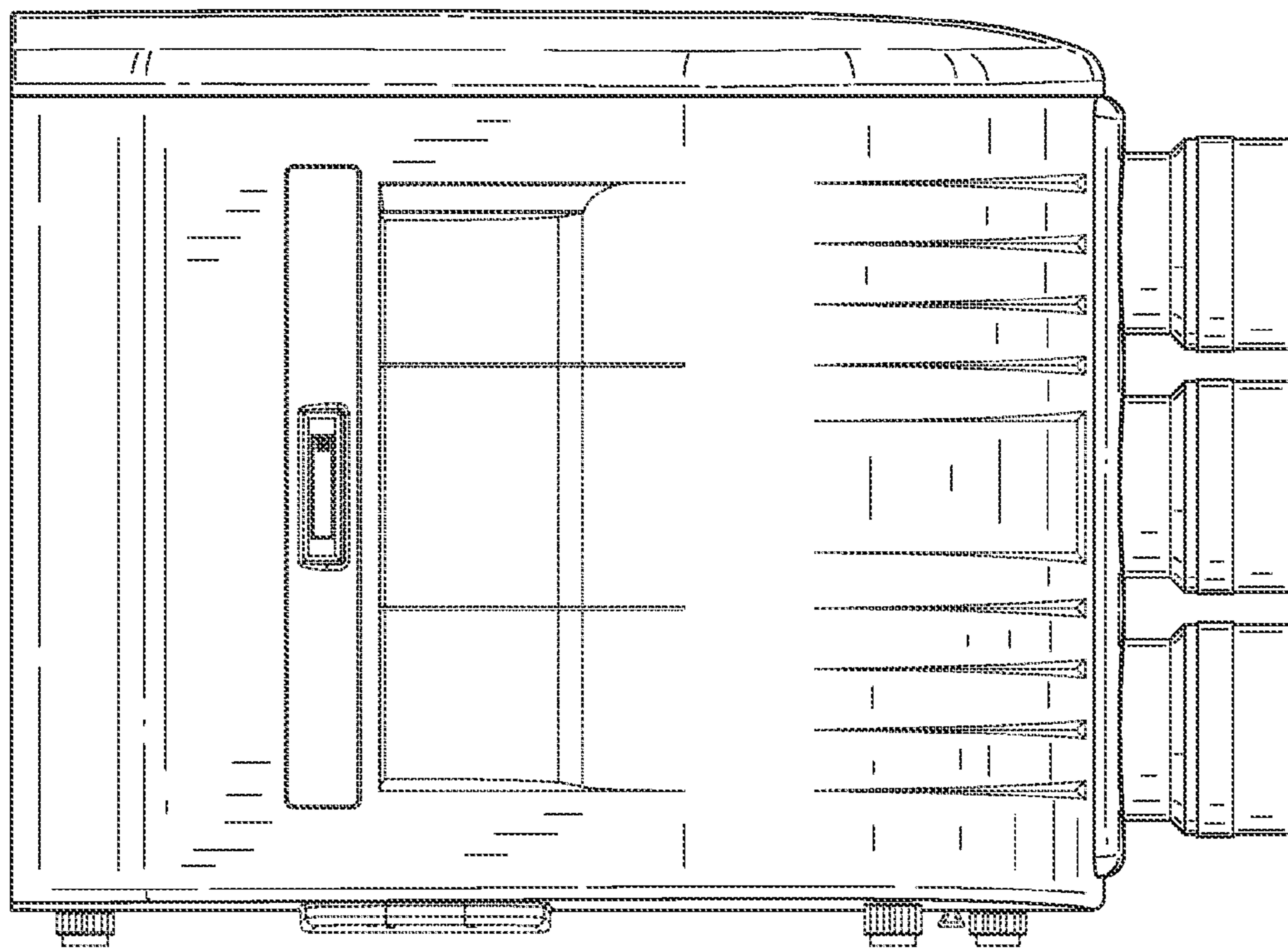


FIG.4

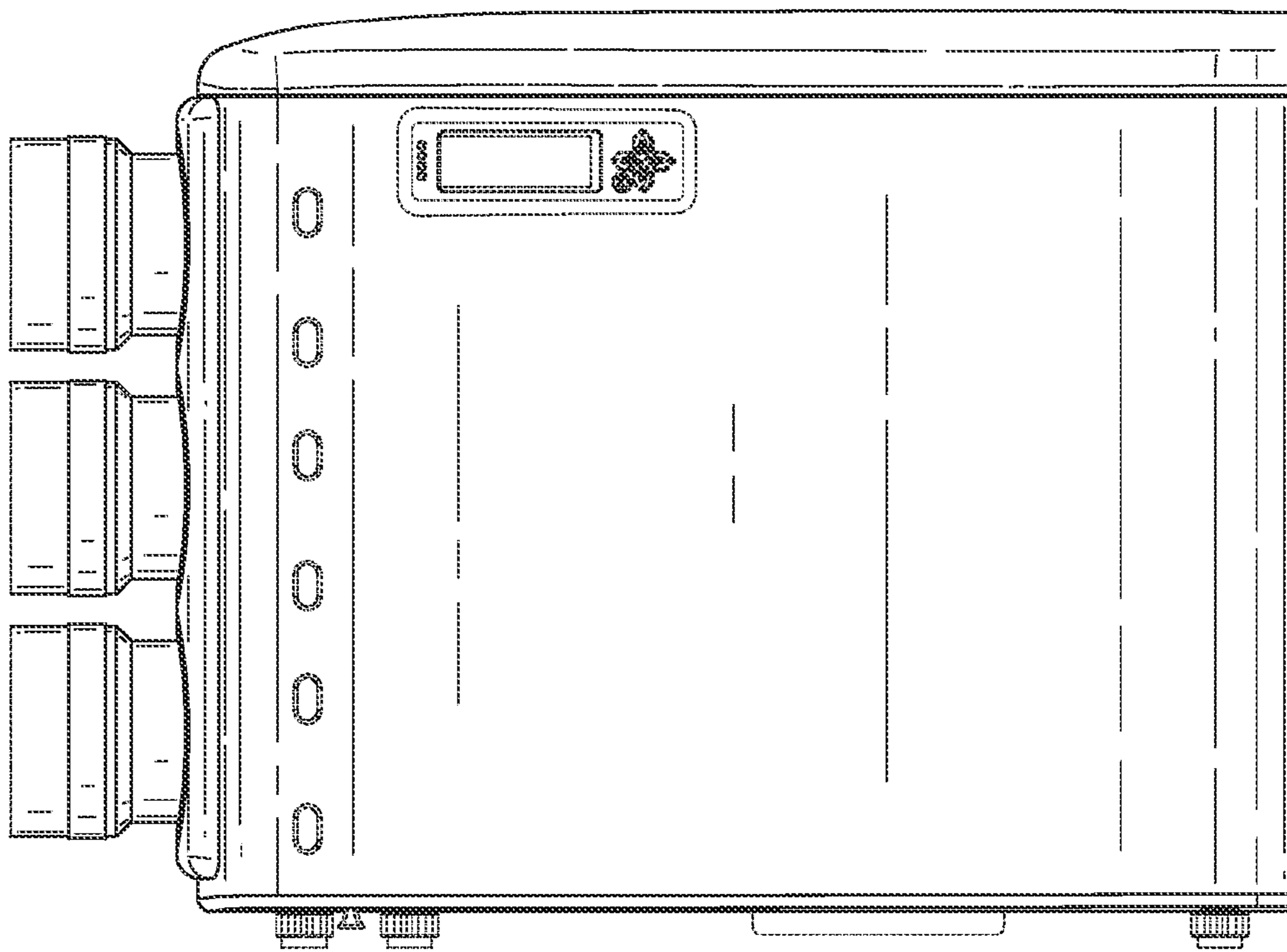


FIG.5

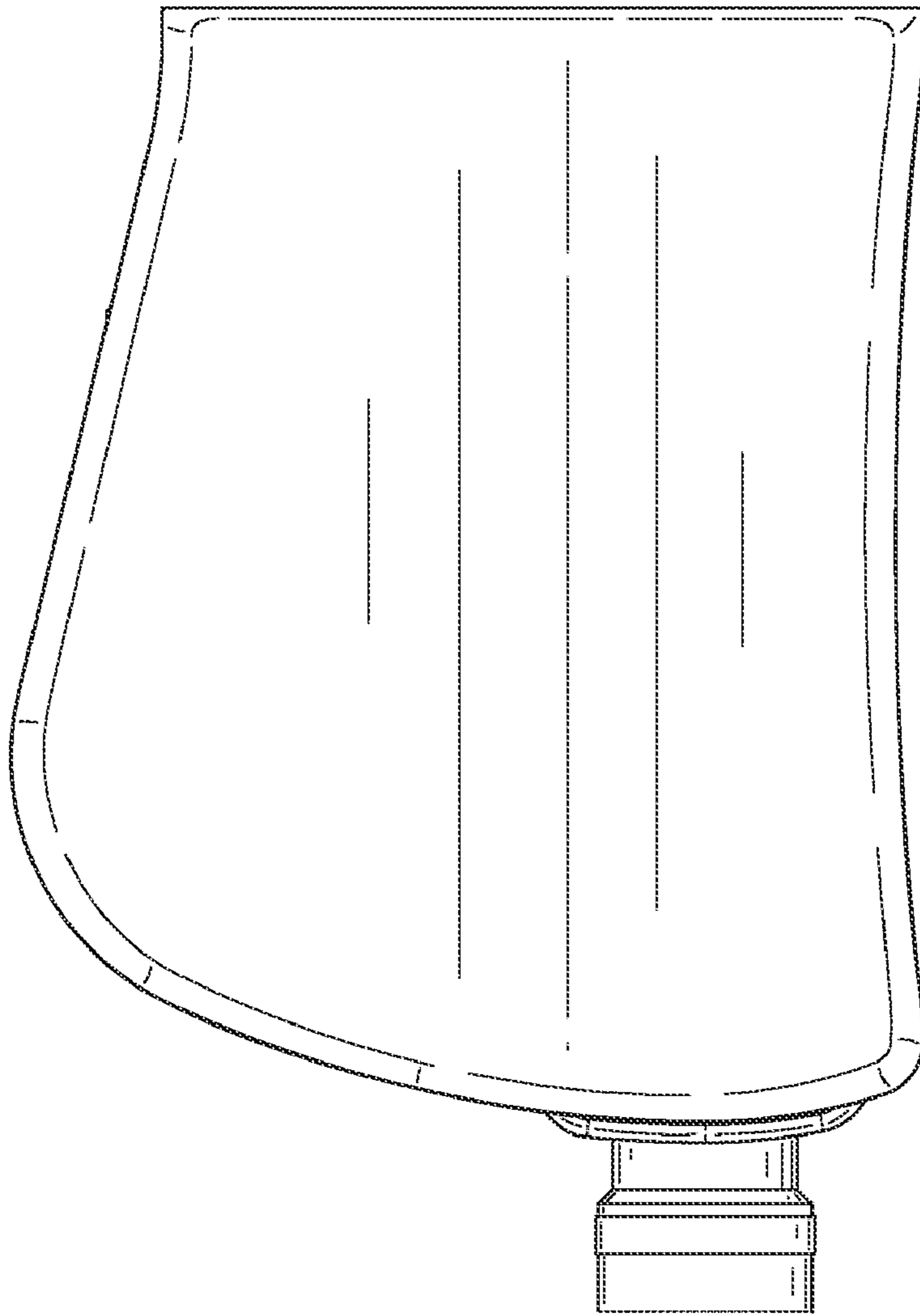


FIG.6

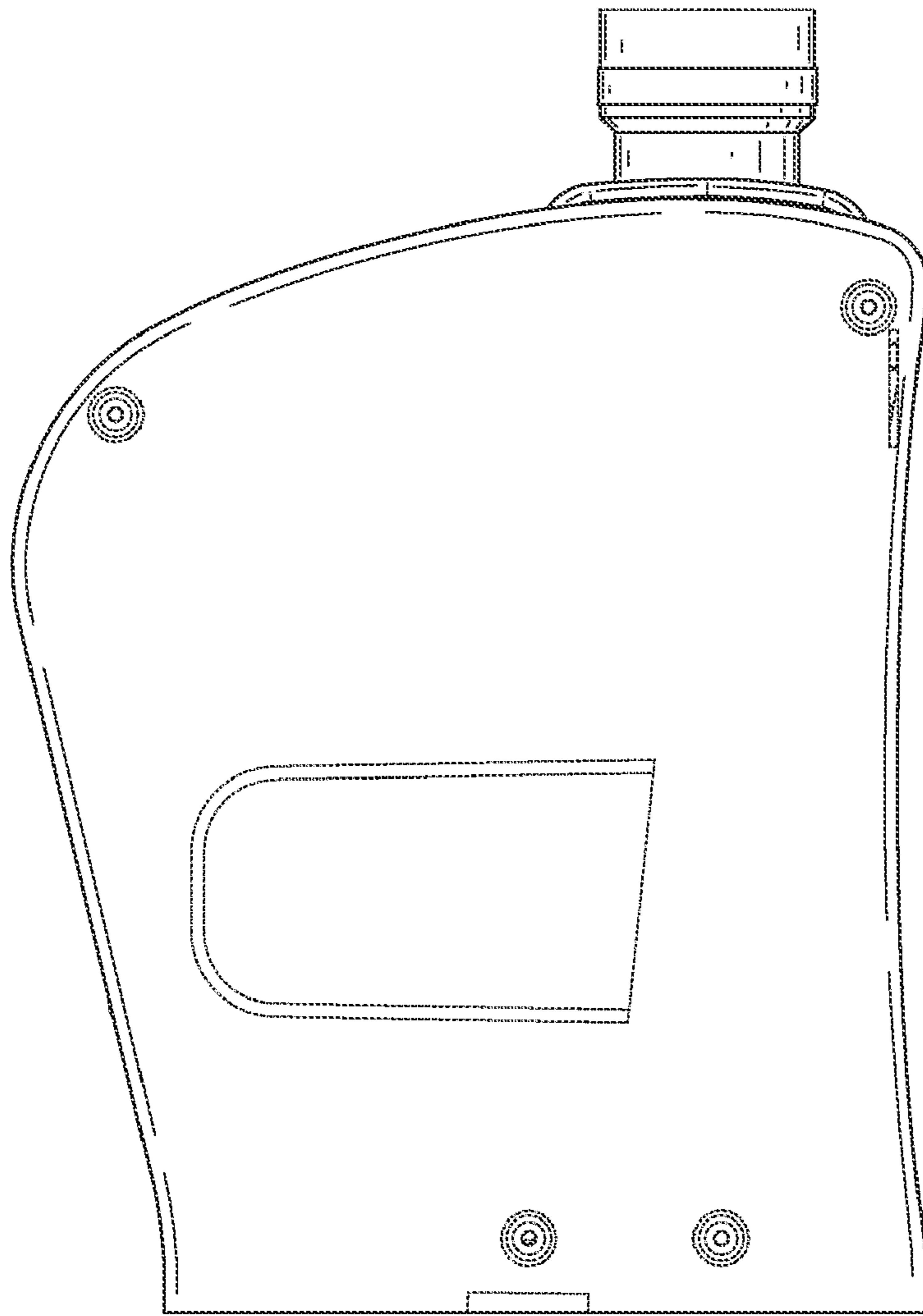


FIG.7