



US00D590428S

(12) **United States Design Patent**
Yamada et al.

(10) **Patent No.:** **US D590,428 S**
(45) **Date of Patent:** **** Apr. 14, 2009**

(54) **VIDEO CAMERA WITH RECORDER AND
PLAYER**

JP D1192957 12/2003
JP D1192958 12/2003
JP D1192959 12/2003
JP D1203818 4/2004

(75) Inventors: **Kunio Yamada**, Osaka (JP); **Yasuki
Mori**, Osaka (JP)

OTHER PUBLICATIONS

(73) Assignee: **Panasonic Corporation**, Osaka (JP)

Sony Electronics Inc., "HVR-HD 1000U—Digital High Definition
HDV Camcorder", Sony, 2007, 6 pages.

(**) Term: **14 Years**

* cited by examiner

(21) Appl. No.: **29/317,266**

Primary Examiner—Adir Aronovich

(22) Filed: **Apr. 25, 2008**

(74) *Attorney, Agent, or Firm*—Brinks Hofer Gilson & Lione

(30) **Foreign Application Priority Data**

Oct. 29, 2007 (JP) 2007-029721

(57) **CLAIM**

We claim the ornamental design for a video camera with
recorder and player, as shown and described.

(51) **LOC (9) Cl.** **16-05**

DESCRIPTION

(52) **U.S. Cl.** **D16/219**

(58) **Field of Classification Search** D16/200–205,
D16/208, 218, 219; 348/373–376; 358/906;
396/535–541

FIG. 1 is a front perspective view of a video camera with
recorder and player of the present invention;

FIG. 2 is a rear perspective view thereof;

FIG. 3 is a front elevational view thereof;

FIG. 4 is a rear elevational view thereof;

FIG. 5 is a left side elevational view thereof;

FIG. 6 is a right side elevational view thereof;

FIG. 7 is a top plan view thereof; and,

FIG. 8 is a bottom plan view thereof.

See application file for complete search history.

The broken line showing of video camera with recorder and
player is included for the purpose of illustrating environment
and forms no part of the claimed design.

The dash-dot broken lines in FIG. 8 which define the bounds
of the claimed design form no part thereof.

(56) **References Cited**

U.S. PATENT DOCUMENTS

D350,552 S * 9/1994 Cha D16/202
5,767,906 A * 6/1998 Toyofuku et al. 348/375
D404,748 S * 1/1999 Miyashita D16/202
D412,515 S * 8/1999 Oka D16/202
D541,325 S * 4/2007 Sumita D16/202
D559,879 S * 1/2008 Sumita D16/202

FOREIGN PATENT DOCUMENTS

JP D1173277 5/2003
JP D1192956 12/2003

1 Claim, 8 Drawing Sheets

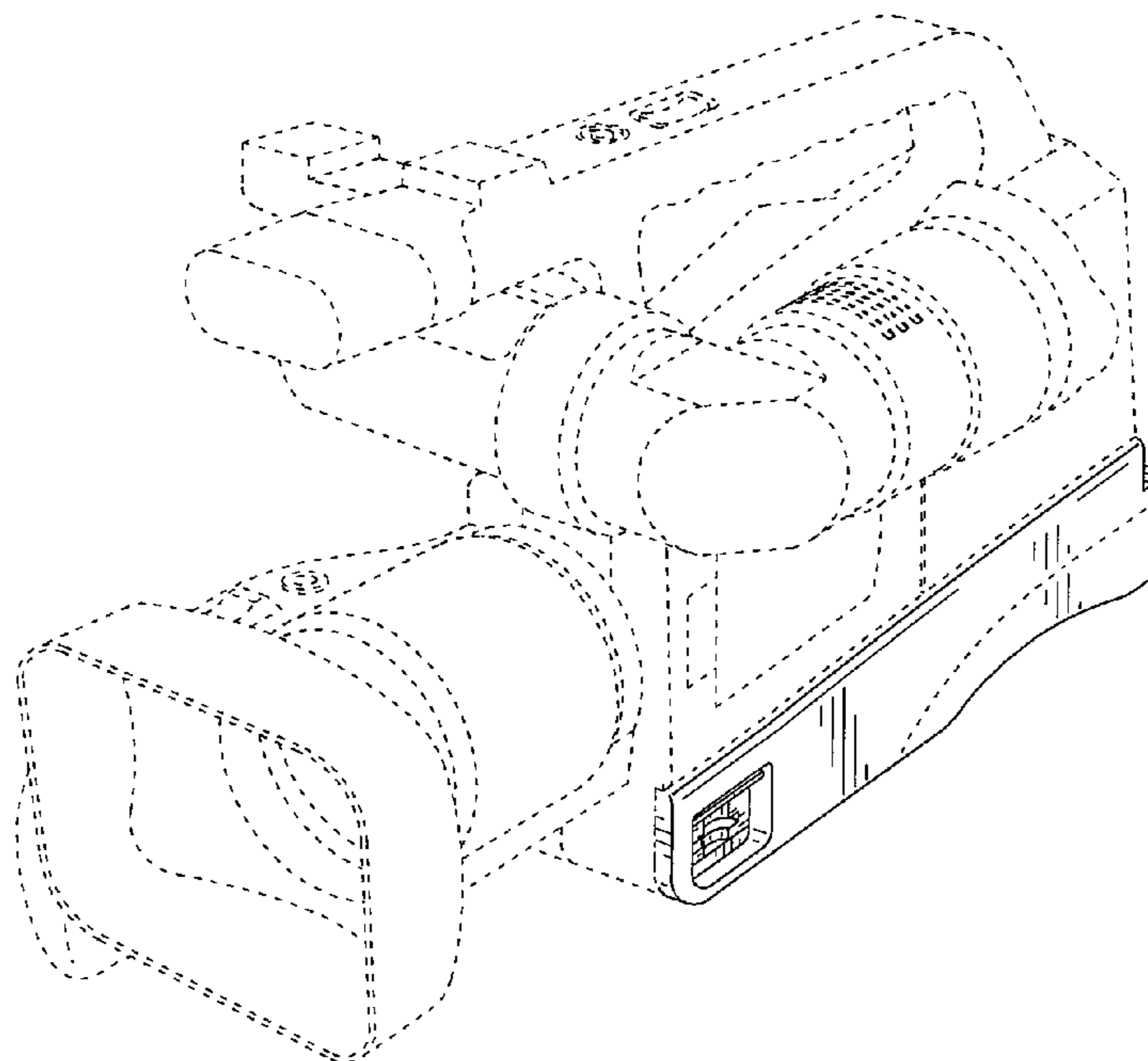


FIG.1

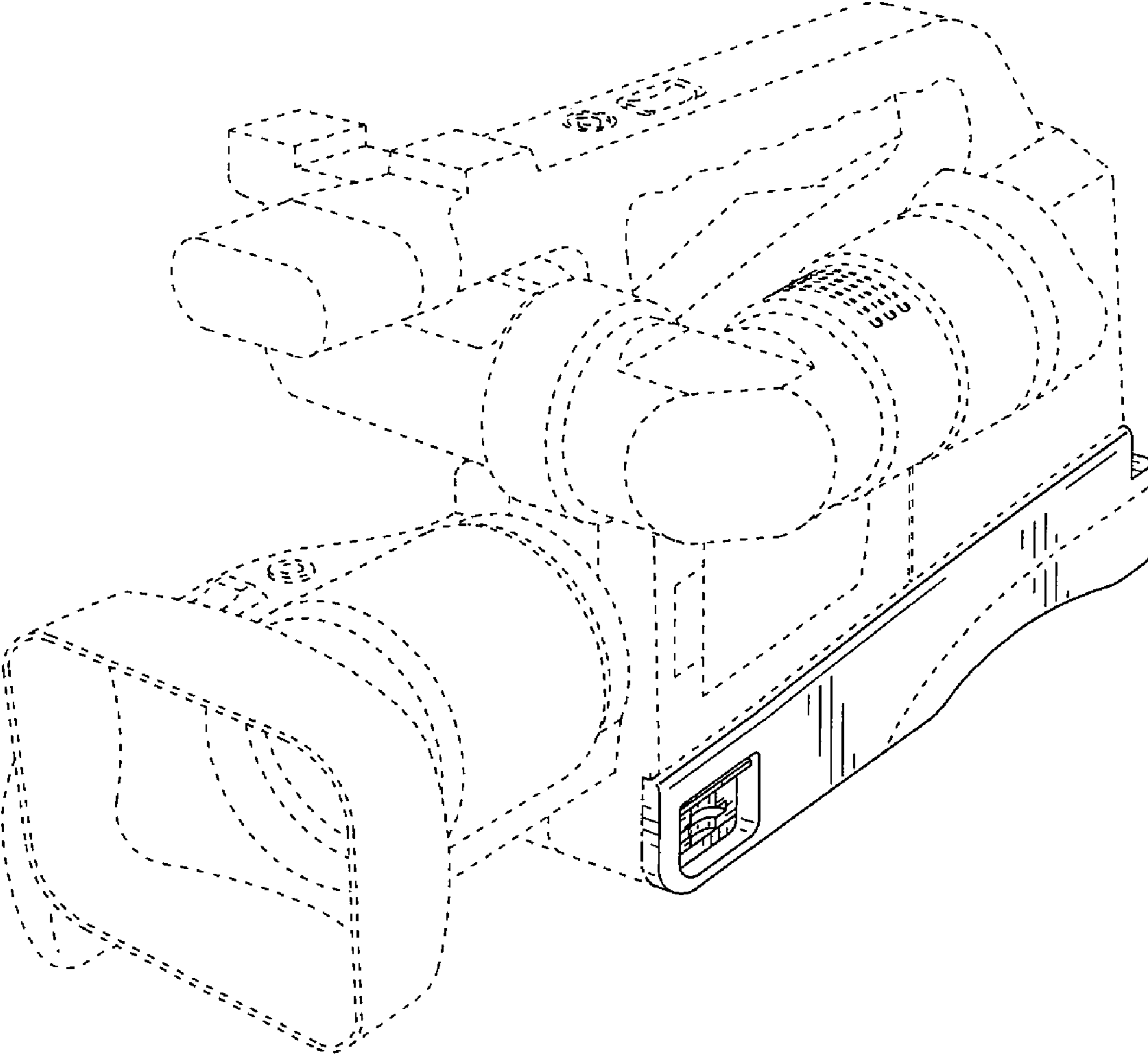


FIG.2

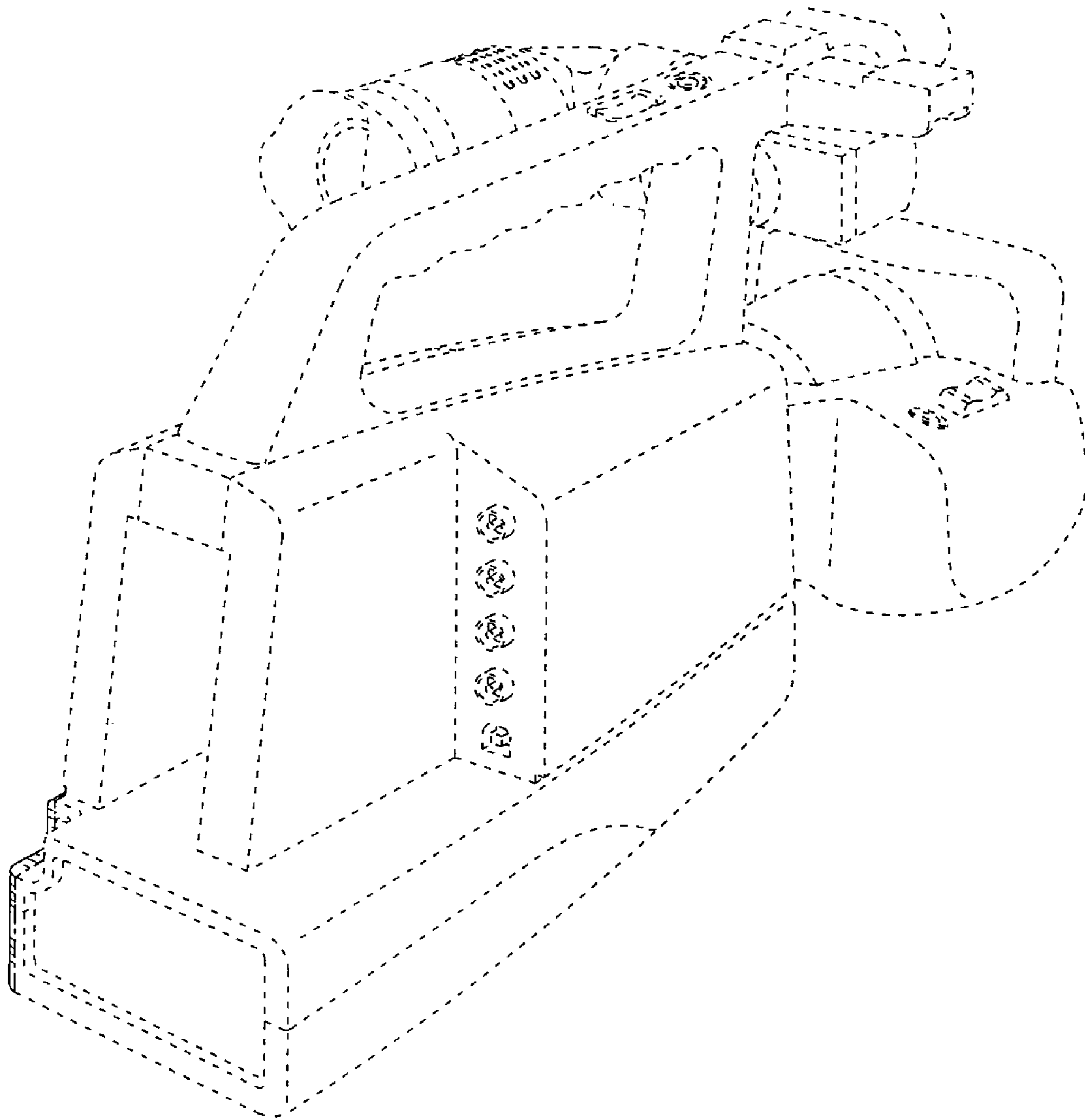


FIG.3

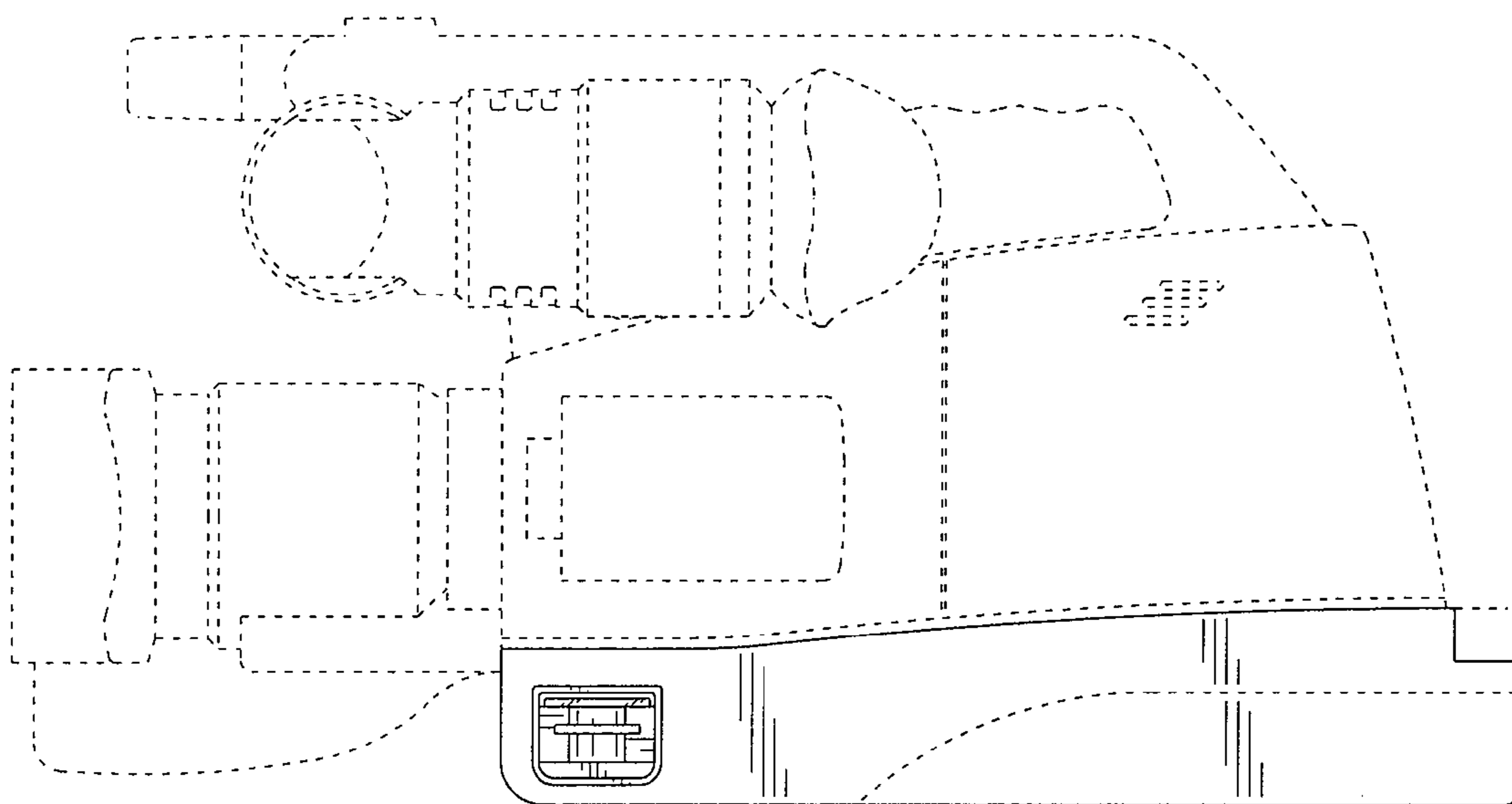


FIG.4

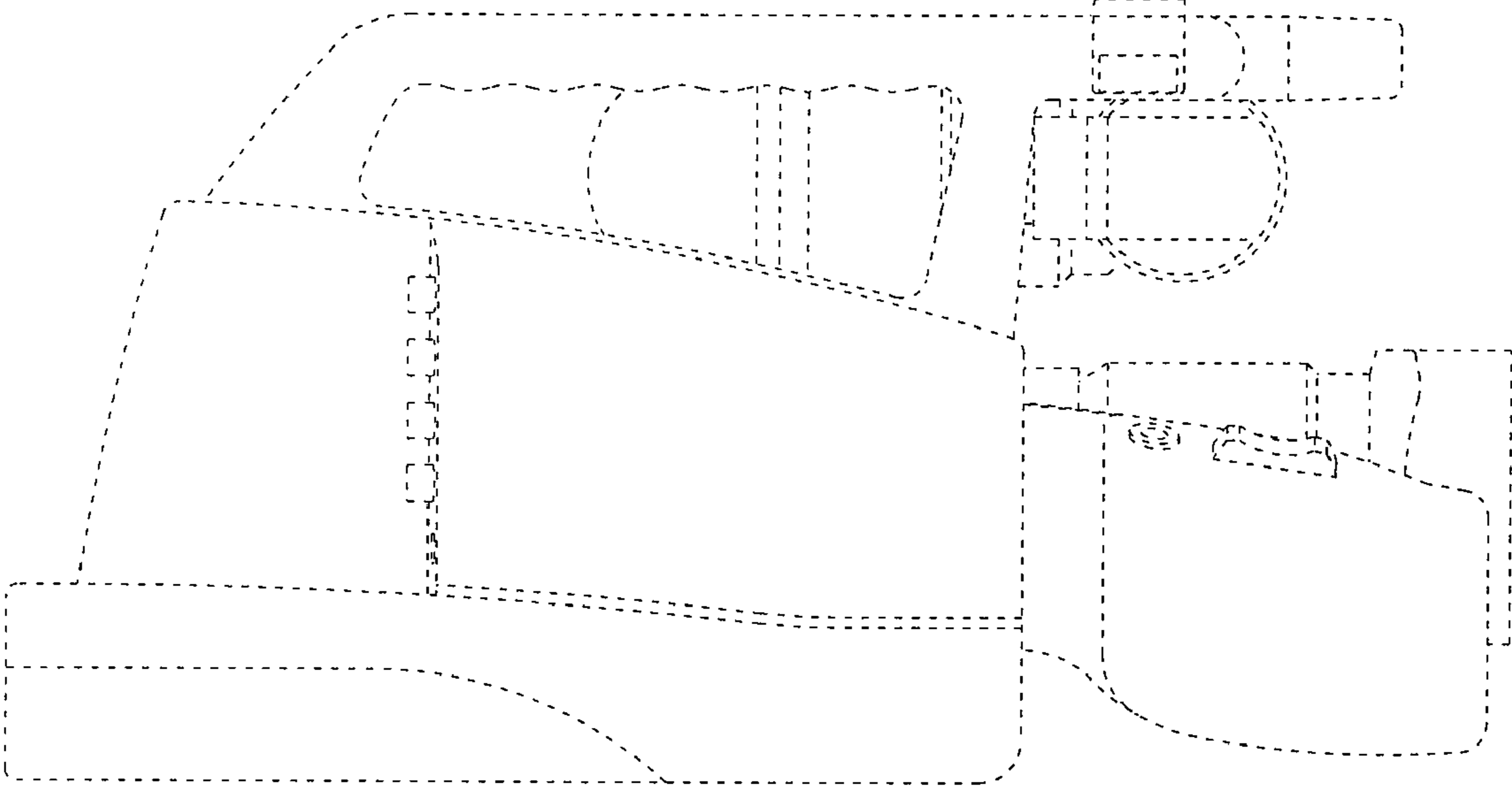


FIG.5

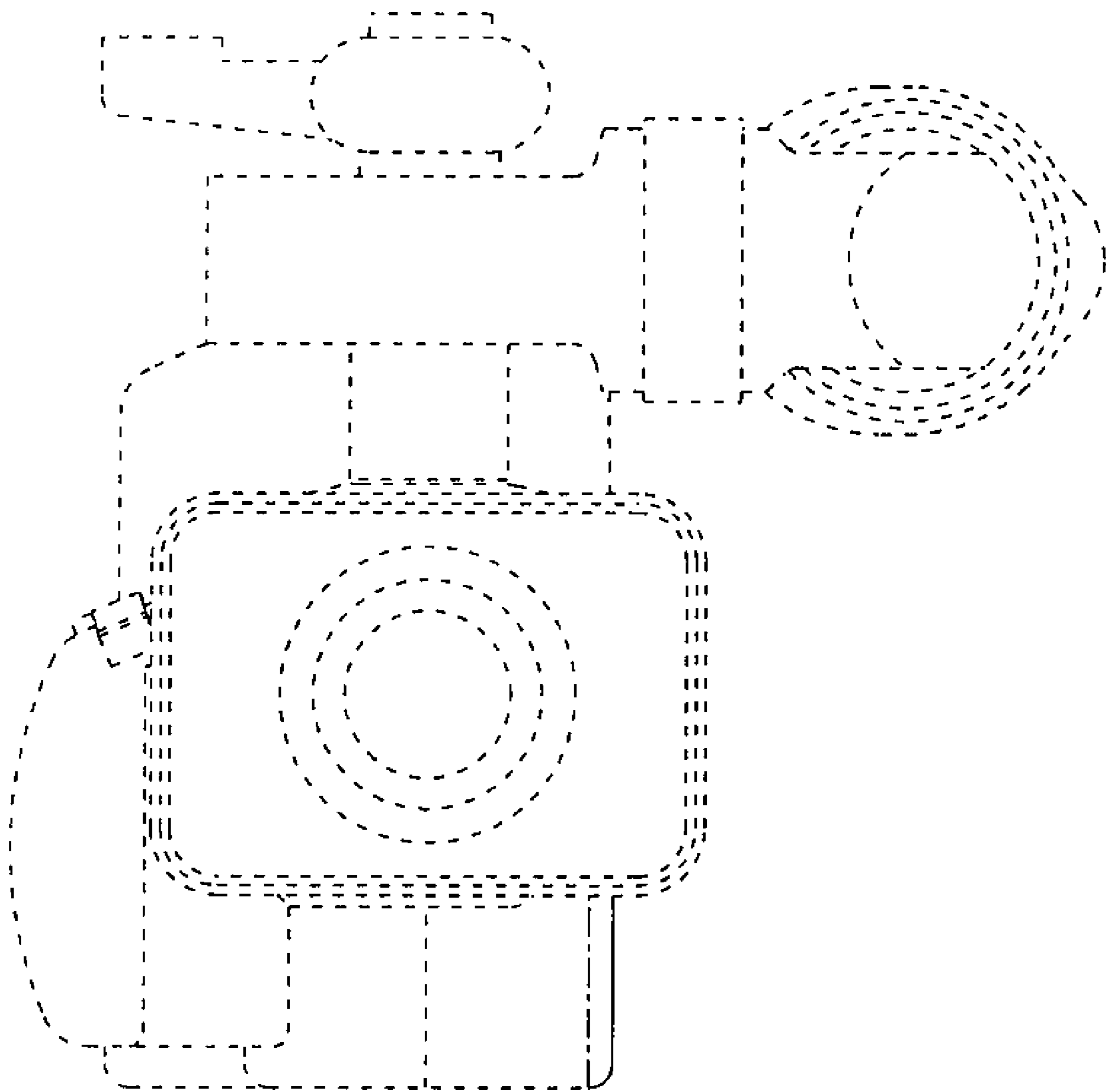


FIG.6

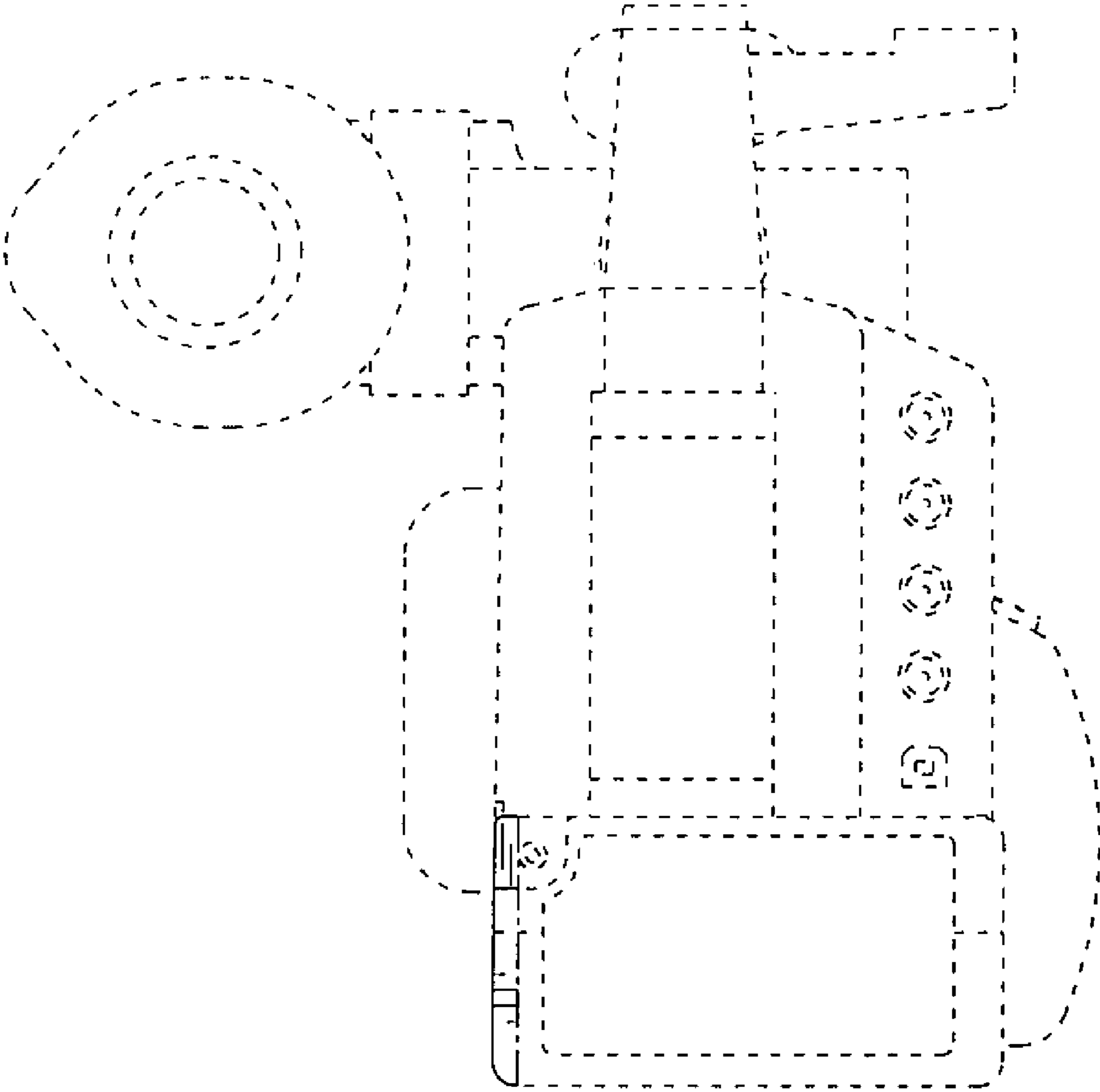


FIG.7

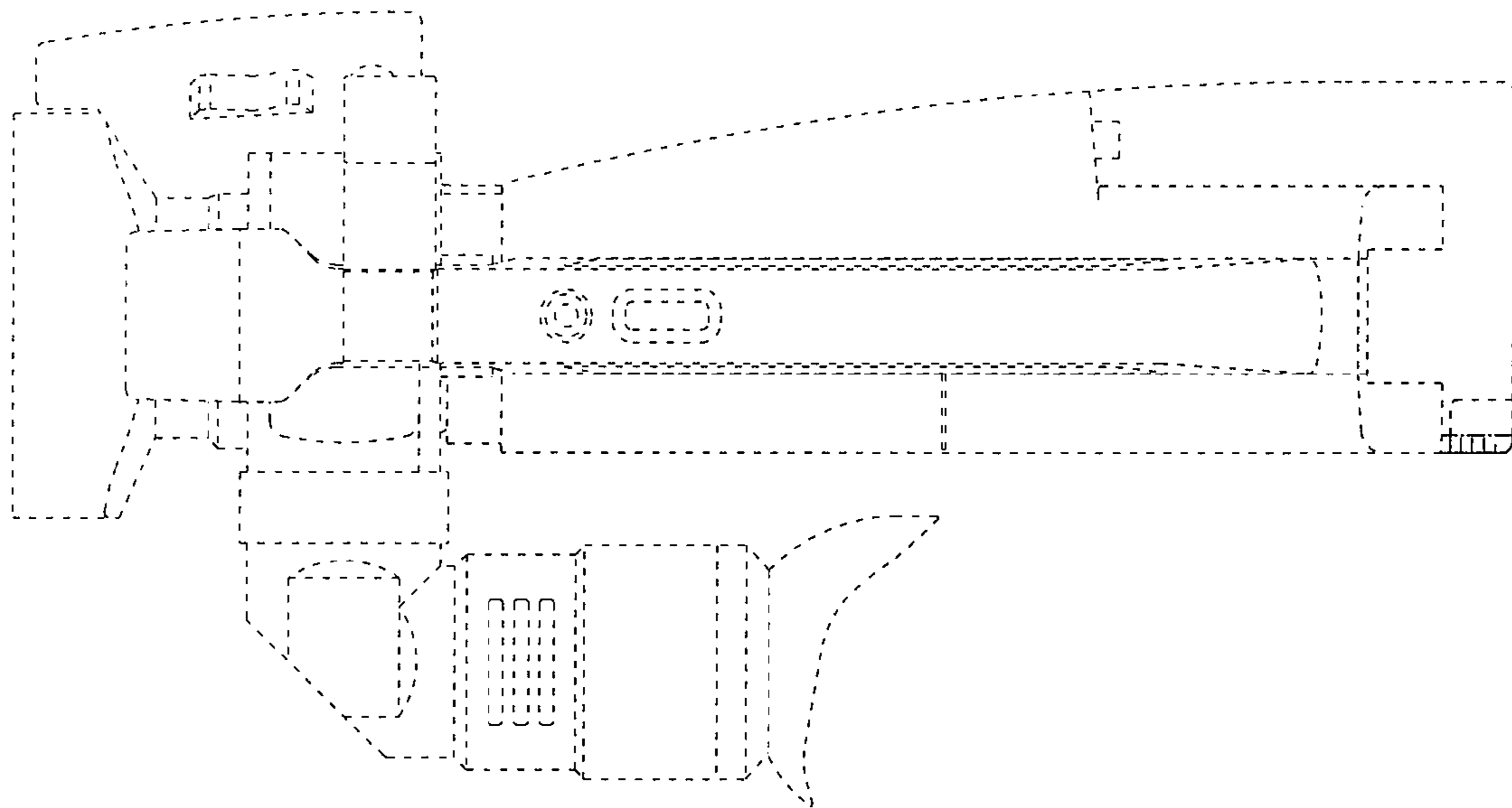


FIG.8

