



US00D590423S

(12) **United States Design Patent**
Nara

(10) **Patent No.:** **US D590,423 S**

(45) **Date of Patent:** **** Apr. 14, 2009**

(54) **SEWING MACHINE**

(75) Inventor: **Koichiro Nara**, Tokyo (JP)

(73) Assignee: **Nara Sewing Machine Industrial Co., Ltd.**, Tokyo (JP)

(**) Term: **14 Years**

(21) Appl. No.: **29/247,453**

(22) Filed: **Jun. 20, 2006**

(30) **Foreign Application Priority Data**

Dec. 21, 2005 (JP) 200537526

(51) **LOC (9) Cl.** **15-06**

(52) **U.S. Cl.** **D15/67**

(58) **Field of Classification Search** D15/66,
D15/67, 68, 69, 71; D21/527; 112/220,
112/275, 276, 281, 317, 470.02, 470.18;
312/317.1; 318/269

See application file for complete search history.

(56) **References Cited**

U.S. PATENT DOCUMENTS

D153,224 S * 3/1949 Marsac et al. D15/69
D175,636 S * 9/1955 Park D15/70
D175,637 S * 9/1955 Park D15/70
D175,638 S * 9/1955 Park D15/70
D175,639 S * 9/1955 Park D15/70

D178,145 S * 6/1956 Morse D15/69
D264,088 S * 4/1982 Sullivan et al. D15/69
D298,330 S * 11/1988 Kato et al. D15/69
D353,148 S * 12/1994 Kato et al. D15/69
D418,524 S * 1/2000 Kato et al. D15/69
D442,608 S * 5/2001 Ito D15/69
D467,945 S * 12/2002 Mori et al. D15/69

* cited by examiner

Primary Examiner—Stella M Reid

Assistant Examiner—Shanda C Hill

(74) *Attorney, Agent, or Firm*—Wood, Herron & Evans, LLP

(57) **CLAIM**

The ornamental design for a sewing machine, as shown and described.

DESCRIPTION

FIG. 1 is a front perspective view of a sewing machine showing my new design;

FIG. 2 is a rear perspective view thereof;

FIG. 3 is a front elevation view thereof;

FIG. 4 is a rear elevation view thereof;

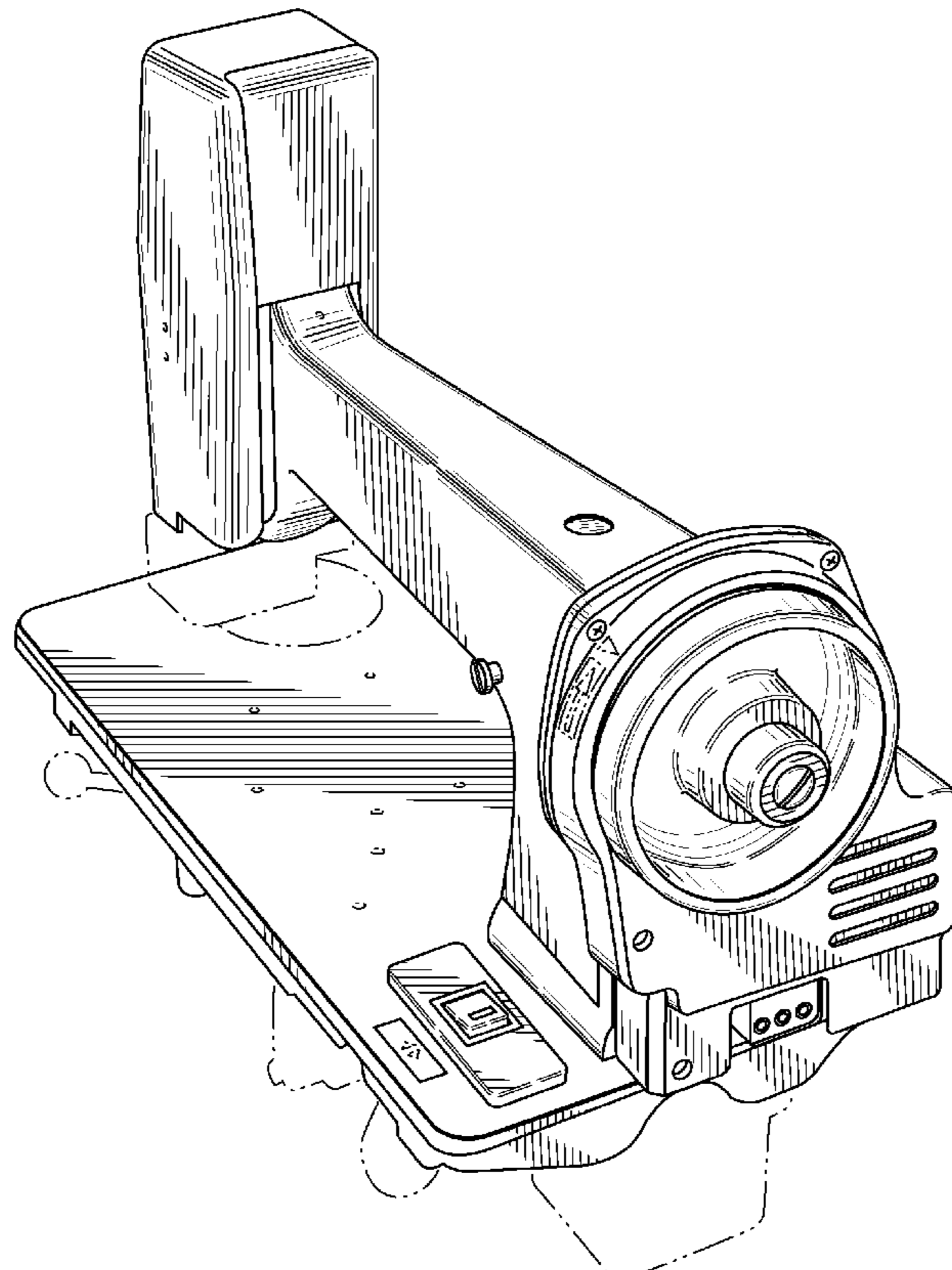
FIG. 5 is a top plan view thereof;

FIG. 6 is a bottom plan view thereof;

FIG. 7 is a left side elevation view thereof; and,

FIG. 8 is a right side elevation view thereof.

1 Claim, 4 Drawing Sheets



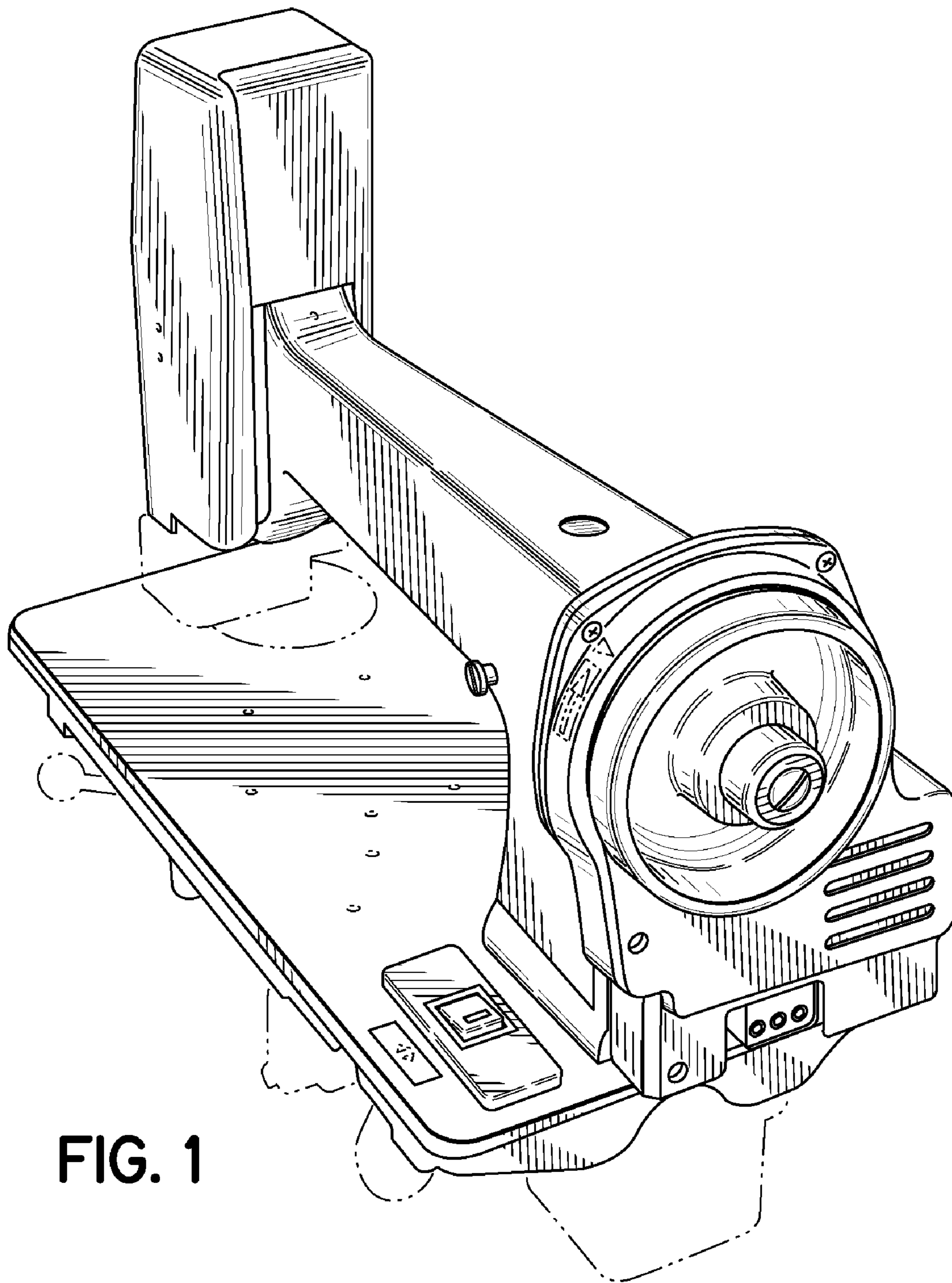


FIG. 1

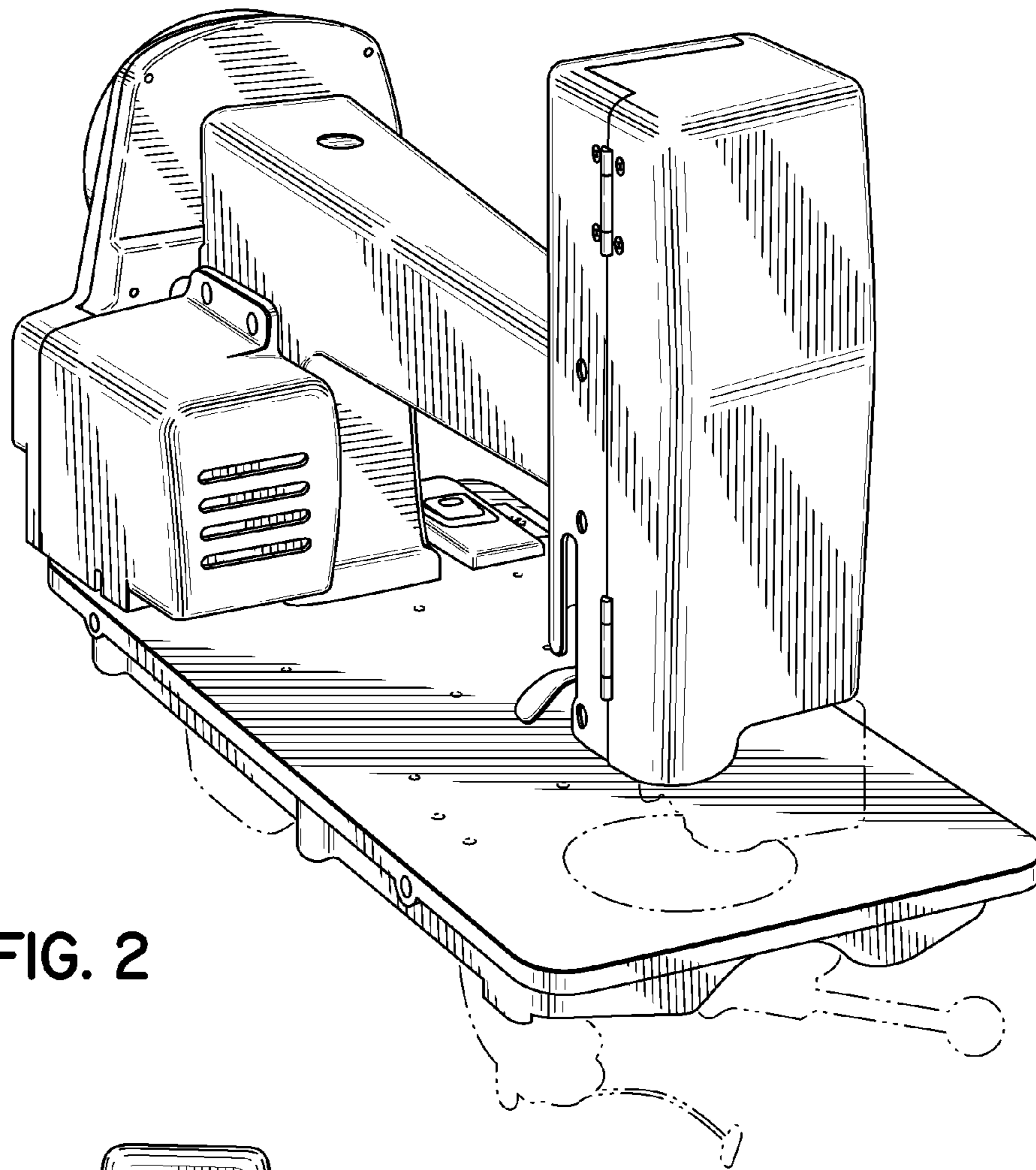


FIG. 2

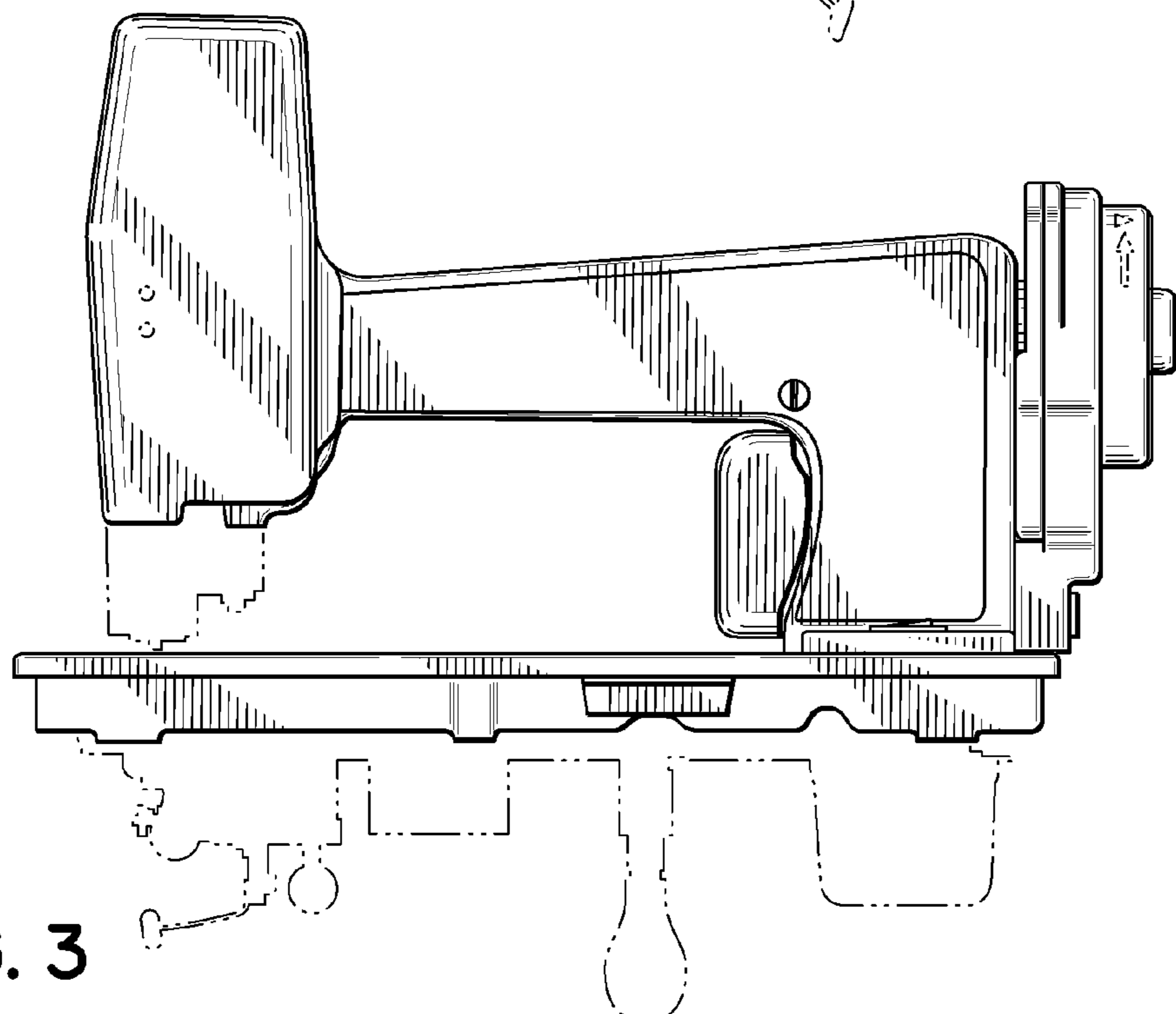


FIG. 3

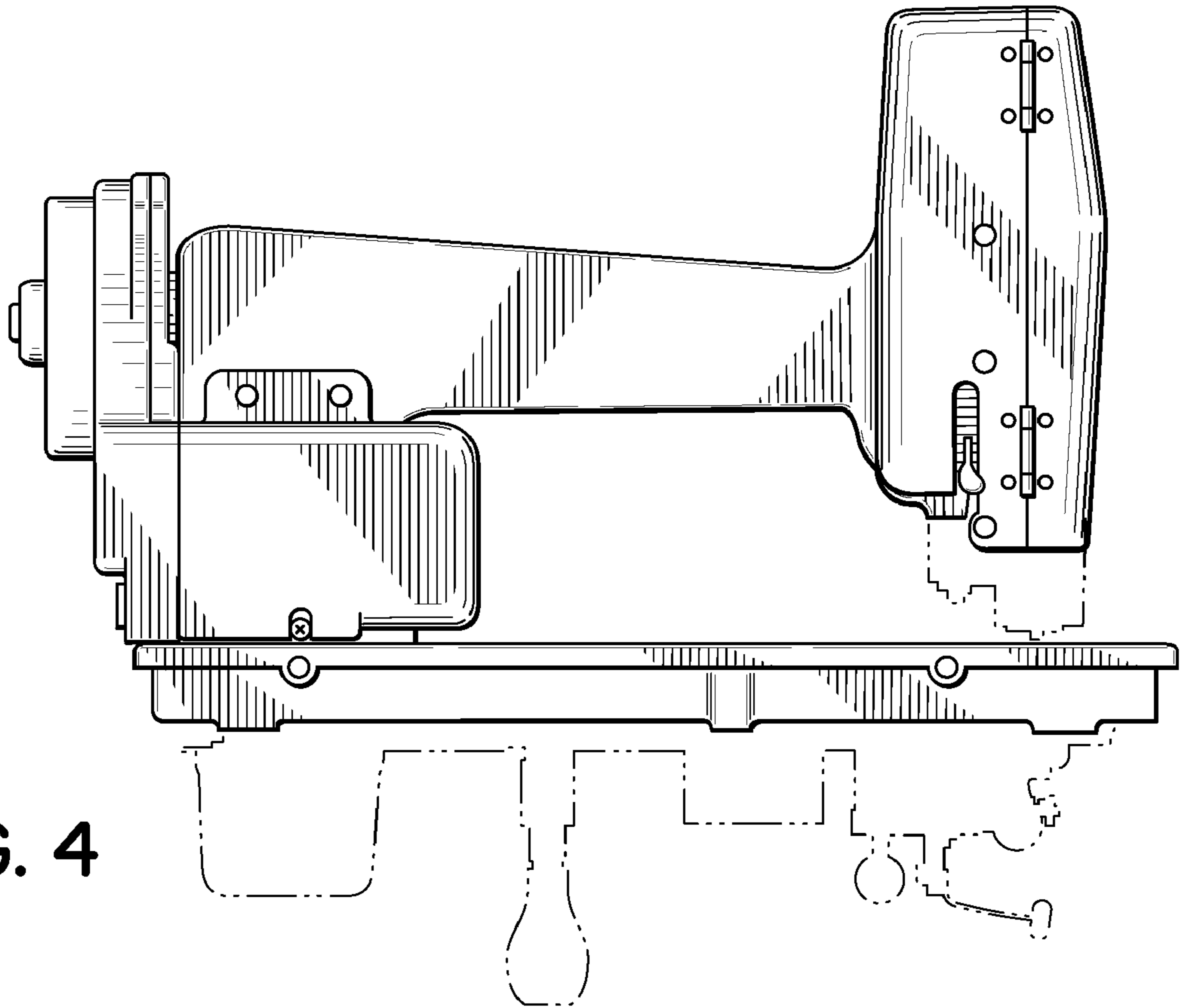


FIG. 4

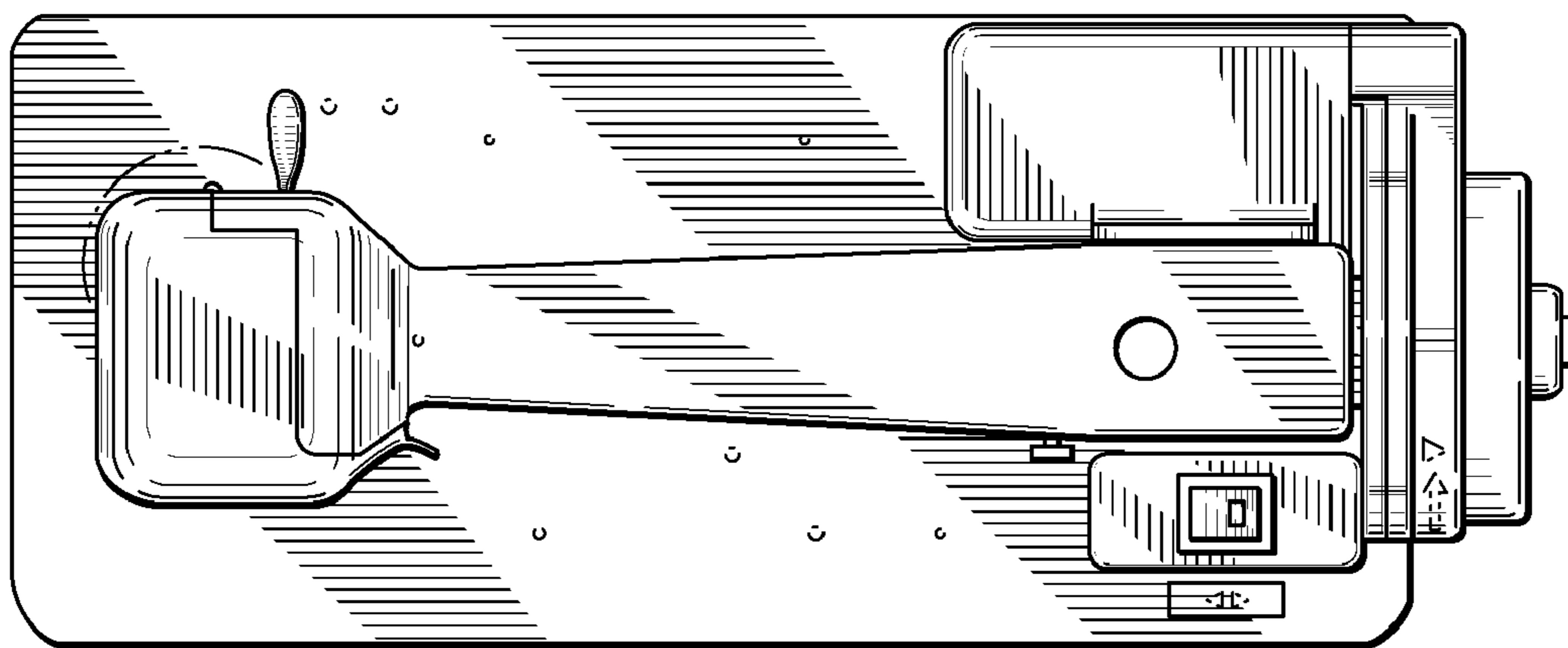


FIG. 5

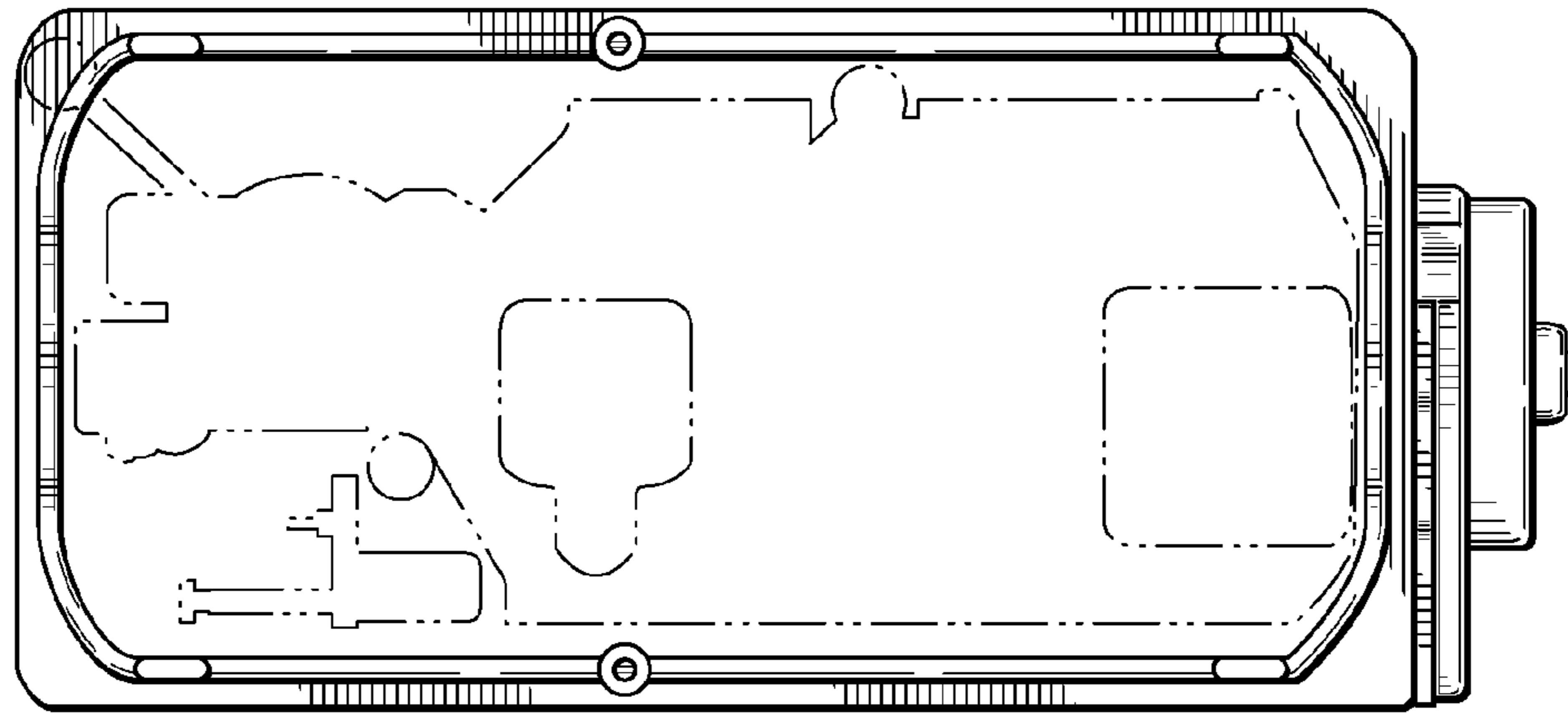


FIG. 6

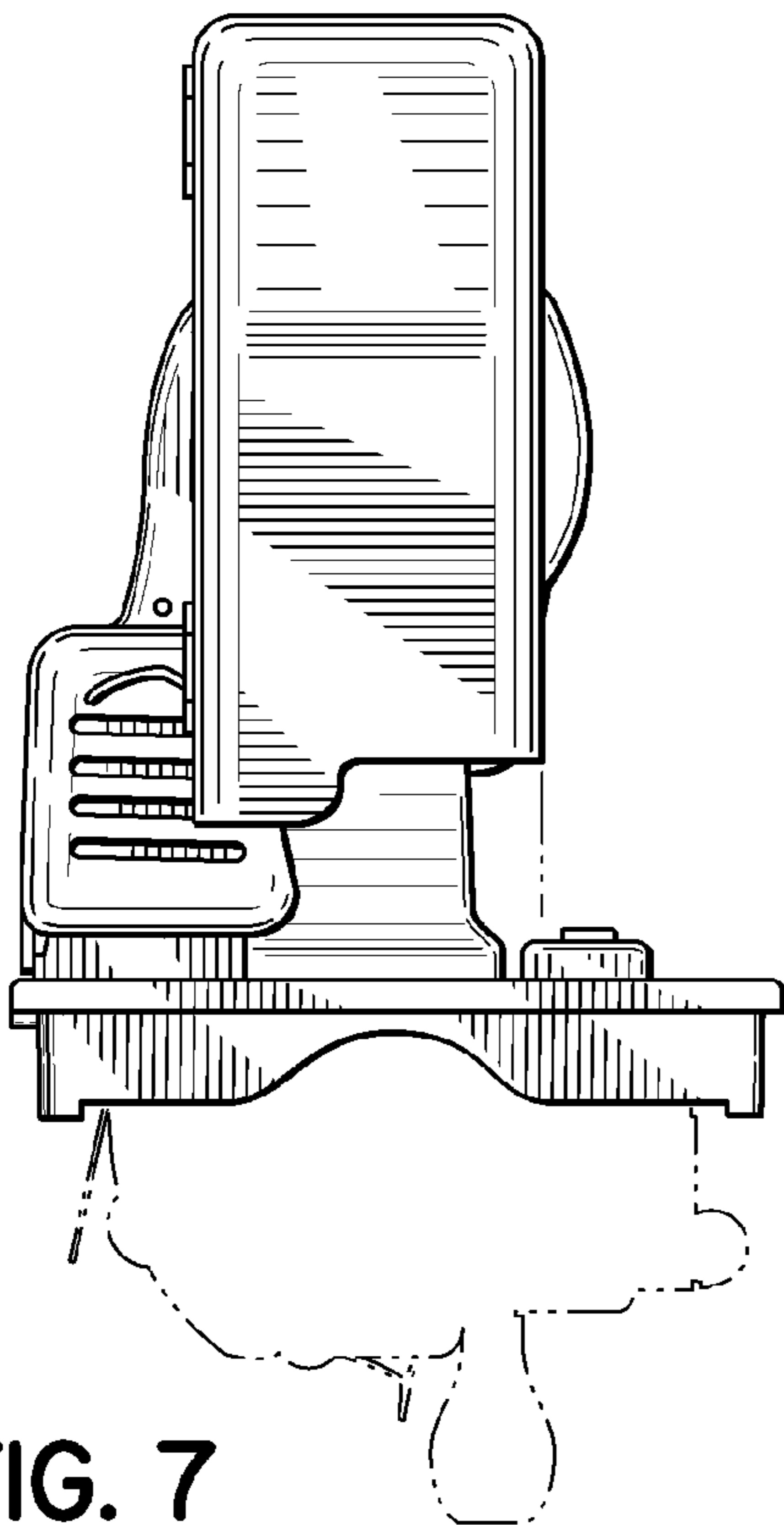


FIG. 7

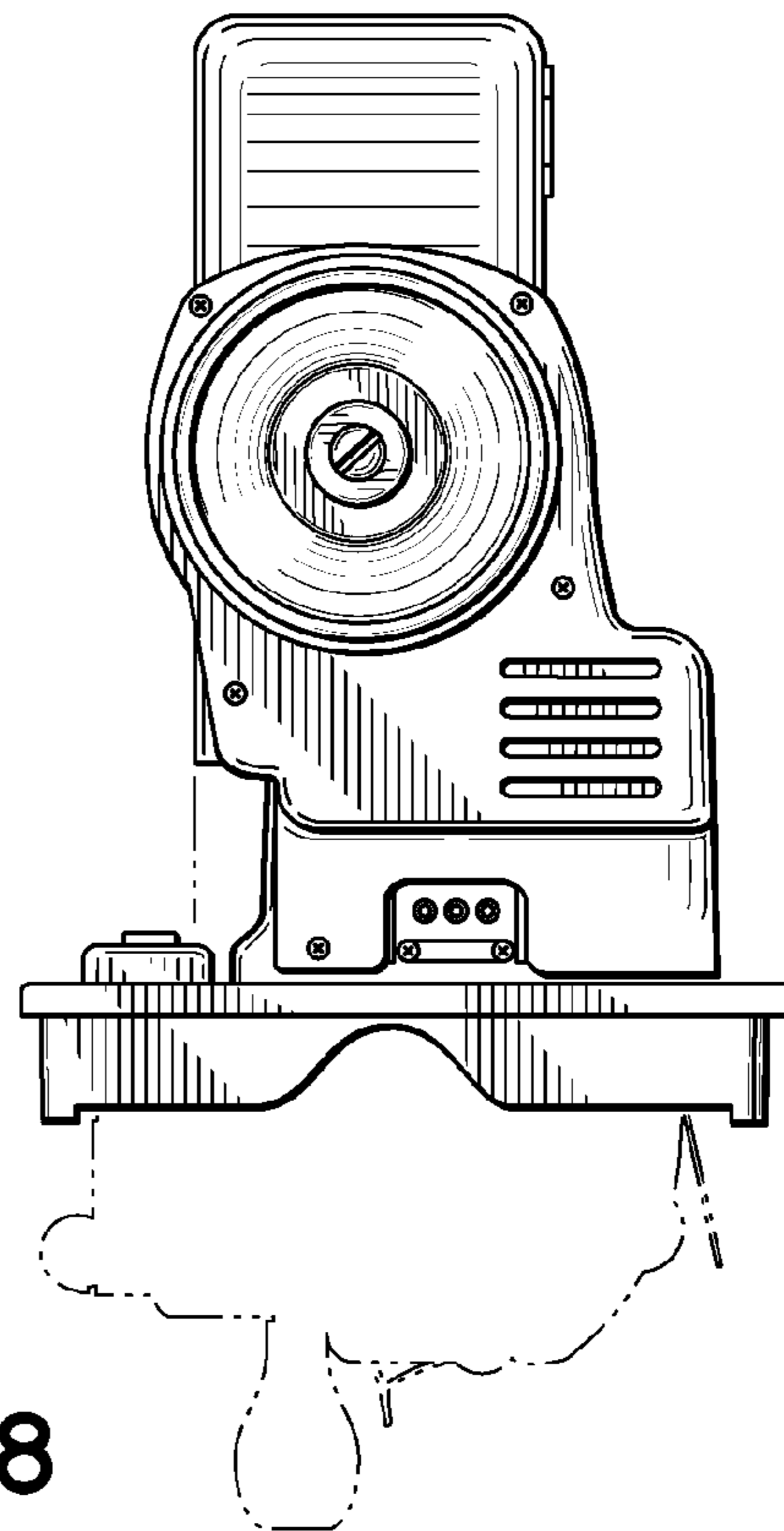


FIG. 8