



US00D590422S

(12) **United States Design Patent**
Joos et al.

(10) **Patent No.:** **US D590,422 S**
(45) **Date of Patent:** **** Apr. 14, 2009**

(54) **MICRO-EXCAVATOR**

(75) Inventors: **Dominick Joos**, Lokeren (BE); **Joeri De Vriesere**, Ooigem (BE); **Martin Masa**, Dobris (CZ)

(73) Assignee: **Clark Equipment Company**, West Fargo, ND (US)

(**) Term: **14 Years**

(21) Appl. No.: **29/305,201**

(22) Filed: **Mar. 14, 2008**

(51) **LOC (9) Cl.** **12-09**

(52) **U.S. Cl.** **D15/25; D15/22**

(58) **Field of Classification Search** D15/10,
D15/22-26; 37/411, 379, 443, 347; 180/89.1,
180/89.12, 89.13, 900, 9.1, 9.2, 9.62, 14 R,
180/326; 414/694, 699, 722-724, 698, 719,
414/743, 685-688

See application file for complete search history.

(56) **References Cited**

U.S. PATENT DOCUMENTS

D309,313	S *	7/1990	Takashima et al.	D15/25
D354,497	S *	1/1995	Kusunoki et al.	D15/25
D387,360	S *	12/1997	Ishizaki et al.	D15/25
5,711,095	A *	1/1998	Oda et al.	37/410
D424,581	S *	5/2000	Morita et al.	D15/24
6,430,852	B2 *	8/2002	Murakami	37/466
D474,481	S *	5/2003	Hara	D15/25
6,615,942	B2 *	9/2003	Shinohara et al.	180/69.21
6,709,223	B2 *	3/2004	Walto et al.	414/685
6,715,579	B1 *	4/2004	Hendron	280/764.1
6,886,277	B2 *	5/2005	Yukawa et al.	37/347

D511,531	S *	11/2005	Sewell et al.	D15/24
D527,027	S *	8/2006	Smith et al.	D15/24
D538,304	S *	3/2007	Uemura	D15/25
D538,827	S *	3/2007	Uemura	D15/25
2004/0148815	A1 *	8/2004	Chikaishi et al.	37/347
2004/0172863	A1 *	9/2004	Otsuka et al.	37/347
2005/0102866	A1 *	5/2005	Sewell et al.	37/411
2005/0210718	A1 *	9/2005	Ueda et al.	37/466
2006/0000123	A1 *	1/2006	Chikaishi et al.	37/379
2006/0254095	A1 *	11/2006	Ishii et al.	37/411
2007/0124963	A1 *	6/2007	Ishikawa et al.	37/446
2007/0124964	A1 *	6/2007	Wetzel et al.	37/468

* cited by examiner

Primary Examiner—Stella M Reid

Assistant Examiner—Mark A Goodwin

(74) *Attorney, Agent, or Firm*—John D. Veldhuis-Kroeze; Westman, Champlin & Kelly, P.A.

(57) **CLAIM**

We claim the ornamental design for a micro-excavator, as shown and described.

DESCRIPTION

FIG. 1 is a front perspective view of the micro-excavator showing our new design.

FIG. 2 is a right view of the micro-excavator shown in FIG. 1.

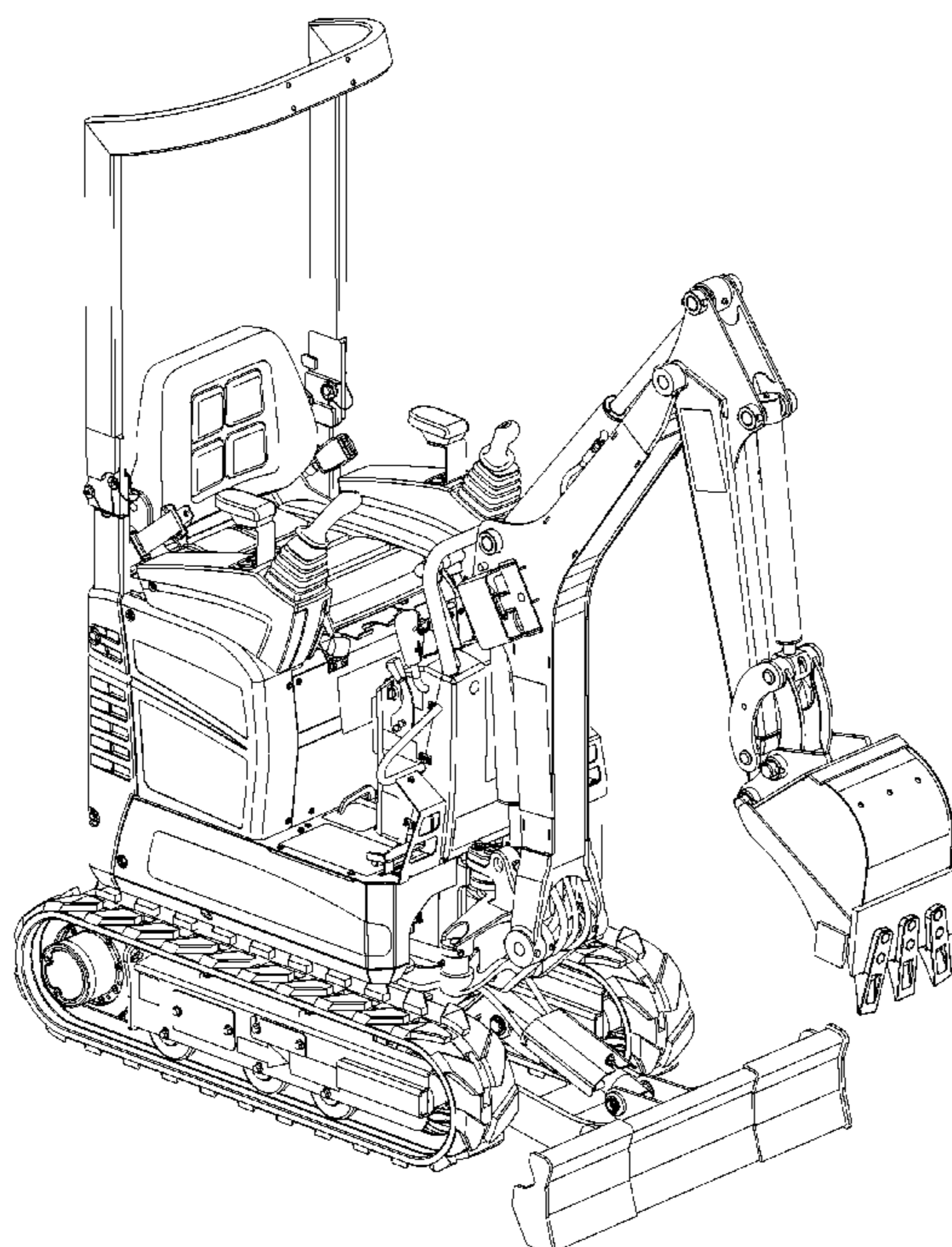
FIG. 3 is a left view of the micro-excavator shown in FIG. 1.

FIG. 4 is a front view of the micro-excavator shown in FIG. 1.

FIG. 5 is a rear view of the micro-excavator shown in FIG. 1; and,

FIG. 6 is a top view of the micro-excavator shown in FIG. 1.

1 Claim, 6 Drawing Sheets



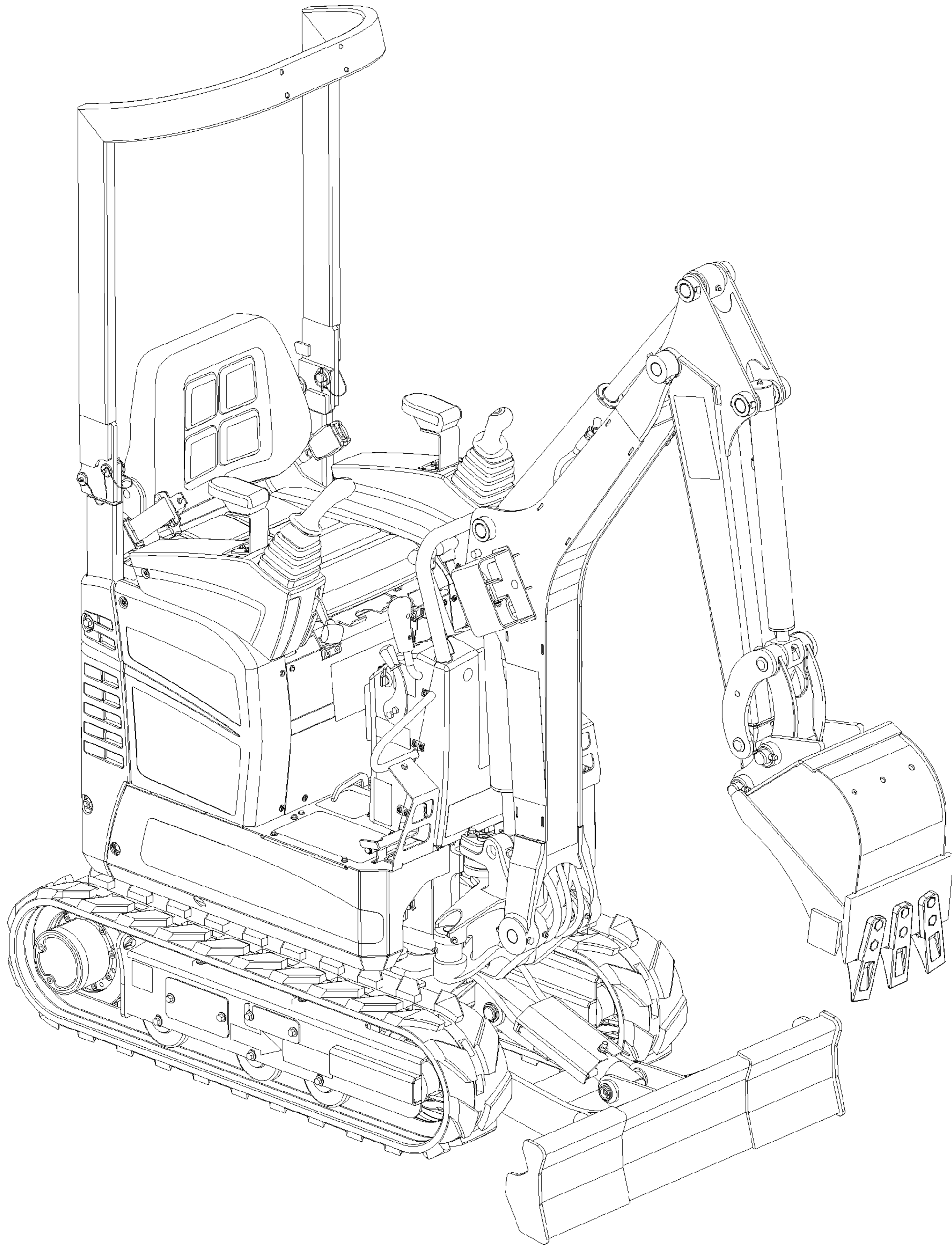


FIG. 1

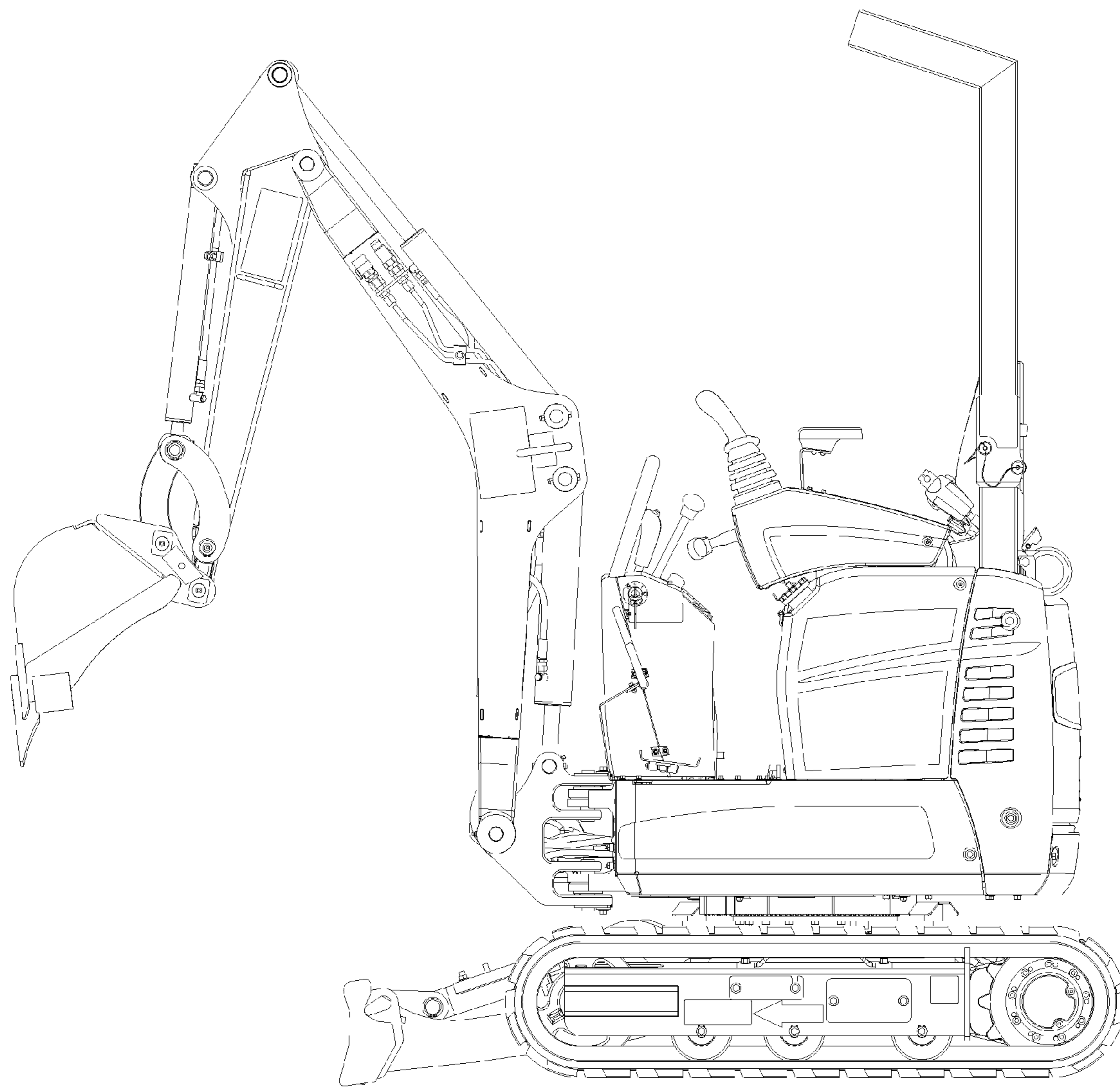


FIG. 2

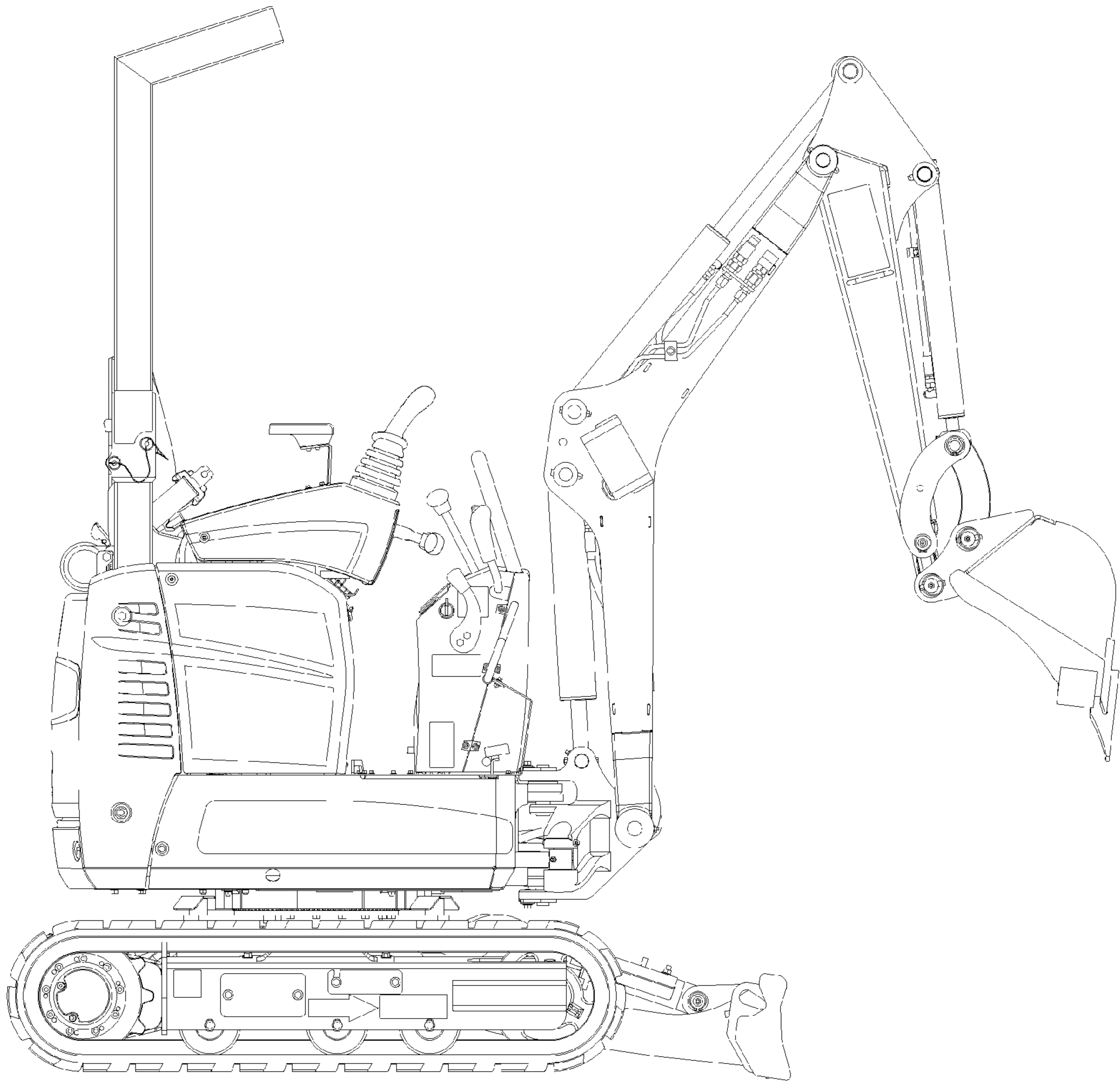


FIG. 3

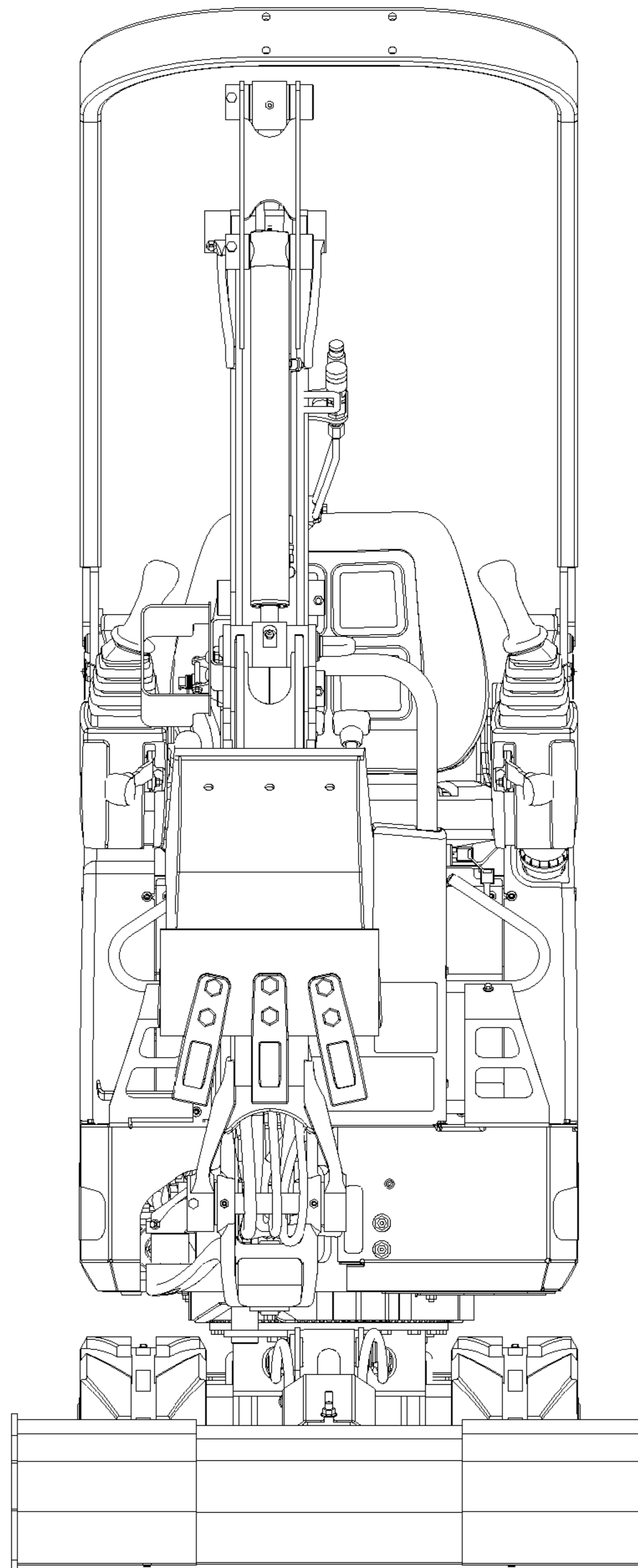


FIG. 4

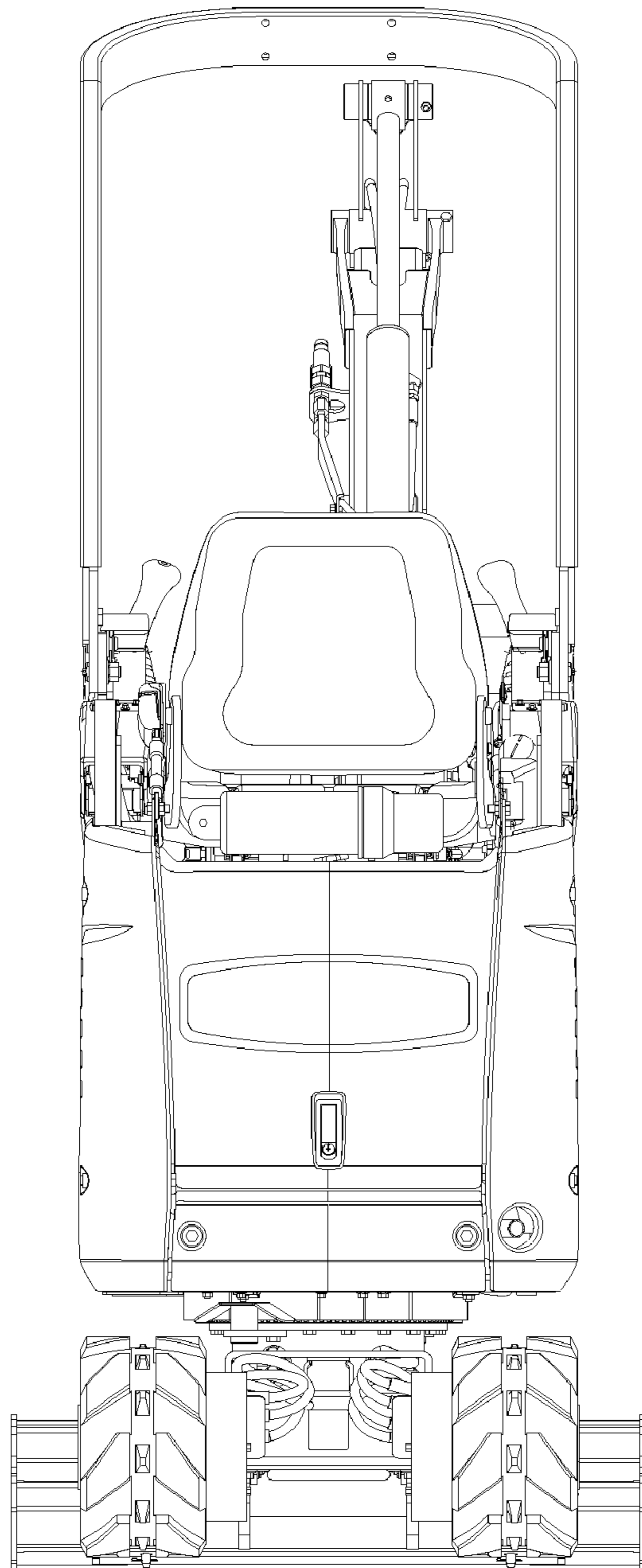


FIG. 5

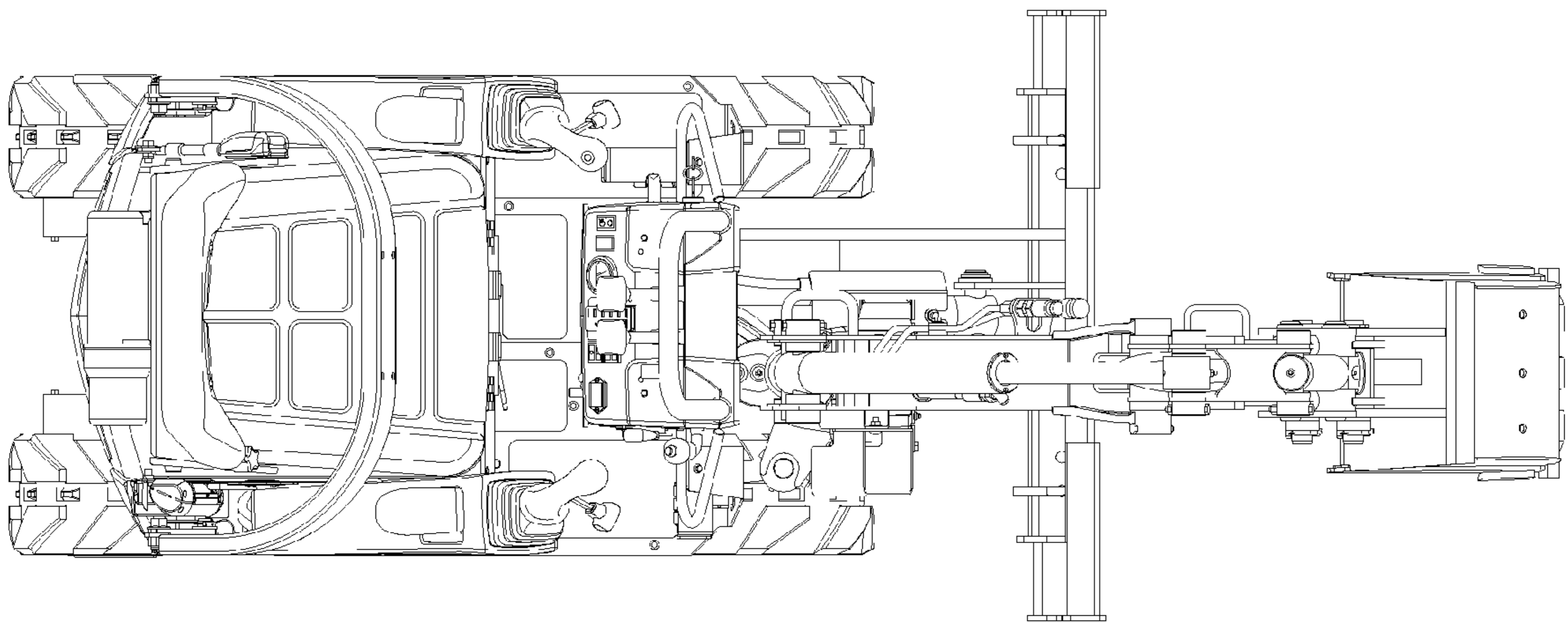


FIG. 6