



US00D590421S

(12) **United States Design Patent**
Shibukawa

(10) **Patent No.:** **US D590,421 S**
(45) **Date of Patent:** **** Apr. 14, 2009**

(54) **PUMP**
(75) Inventor: **Katsuhiko Shibukawa**, Tokyo (JP)
(73) Assignee: **Nito Kohki Co., Ltd.**, Tokyo (JP)
(**) Term: **14 Years**
(21) Appl. No.: **29/309,500**
(22) Filed: **Aug. 25, 2008**

D488,820 S * 4/2004 Rozek D15/7
D512,442 S * 12/2005 Moser, III D15/9
D538,193 S 3/2007 Mizuno

* cited by examiner

Primary Examiner—R. Seifert
(74) *Attorney, Agent, or Firm*—Wenderoth, Lind & Ponack, L.L.P.

(51) **LOC (9) Cl.** **15-02**
(52) **U.S. Cl.** **D15/7**
(58) **Field of Classification Search** D15/7-9;
D23/231, 232, 225; 417/410.1, 359, 415-416,
417/234, 321, 265, 405
See application file for complete search history.

(57) **CLAIM**

The ornamental design for a pump, as shown and described.

DESCRIPTION

FIG. 1 is a front view of a pump according to the design of the present invention;
FIG. 2 is a back view of thereof;
FIG. 3 is a plan view of thereof;
FIG. 4 is a bottom view of thereof;
FIG. 5 is a left side view of thereof; and,
FIG. 6 is a right side view of thereof.

(56) **References Cited**

U.S. PATENT DOCUMENTS

D293,682 S * 1/1988 Liou D15/9
D295,754 S * 5/1988 Wang D15/9
D298,832 S * 12/1988 Dunlap D15/9
D419,567 S * 1/2000 Weiss D15/7

1 Claim, 5 Drawing Sheets

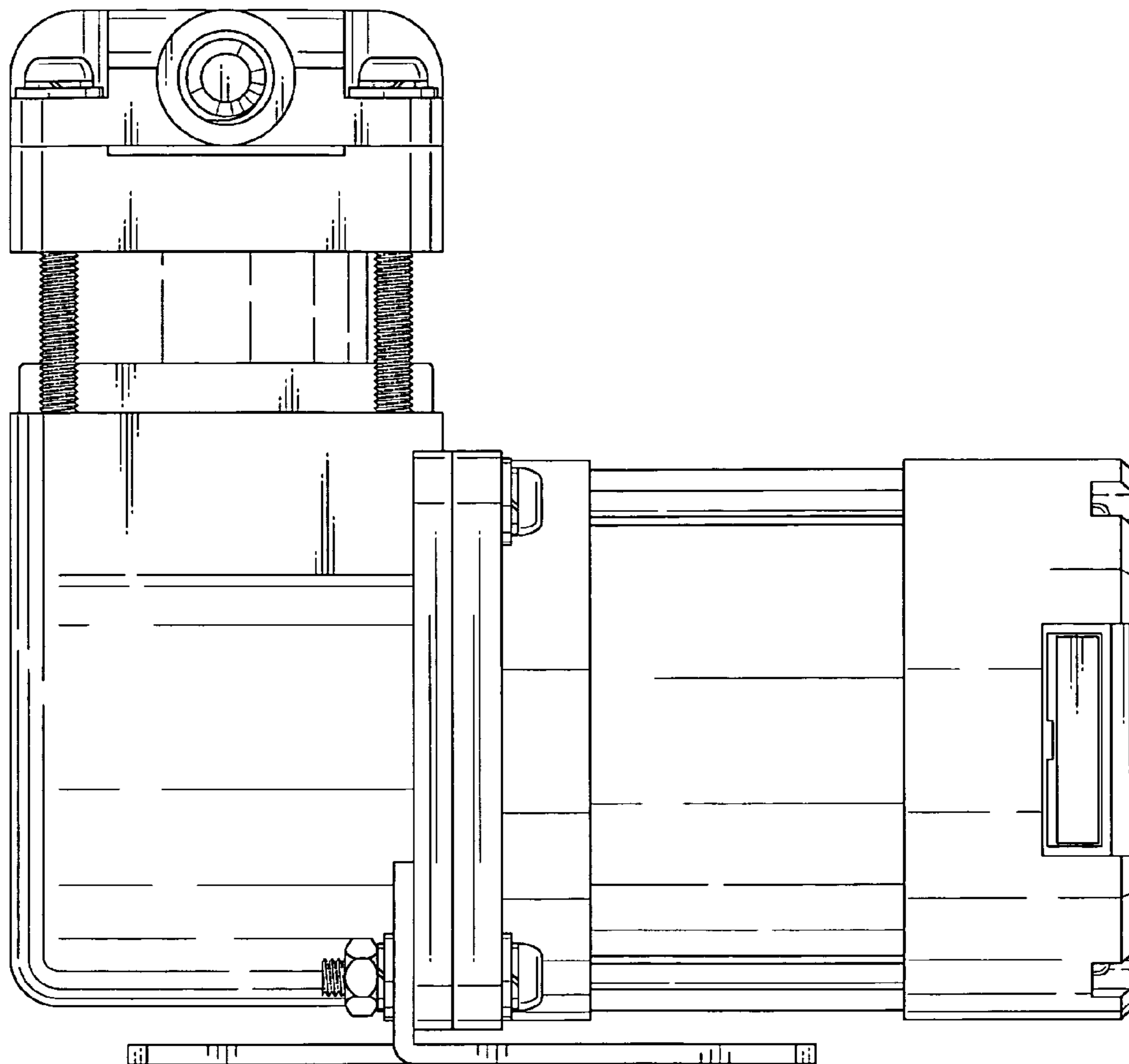


Fig.1

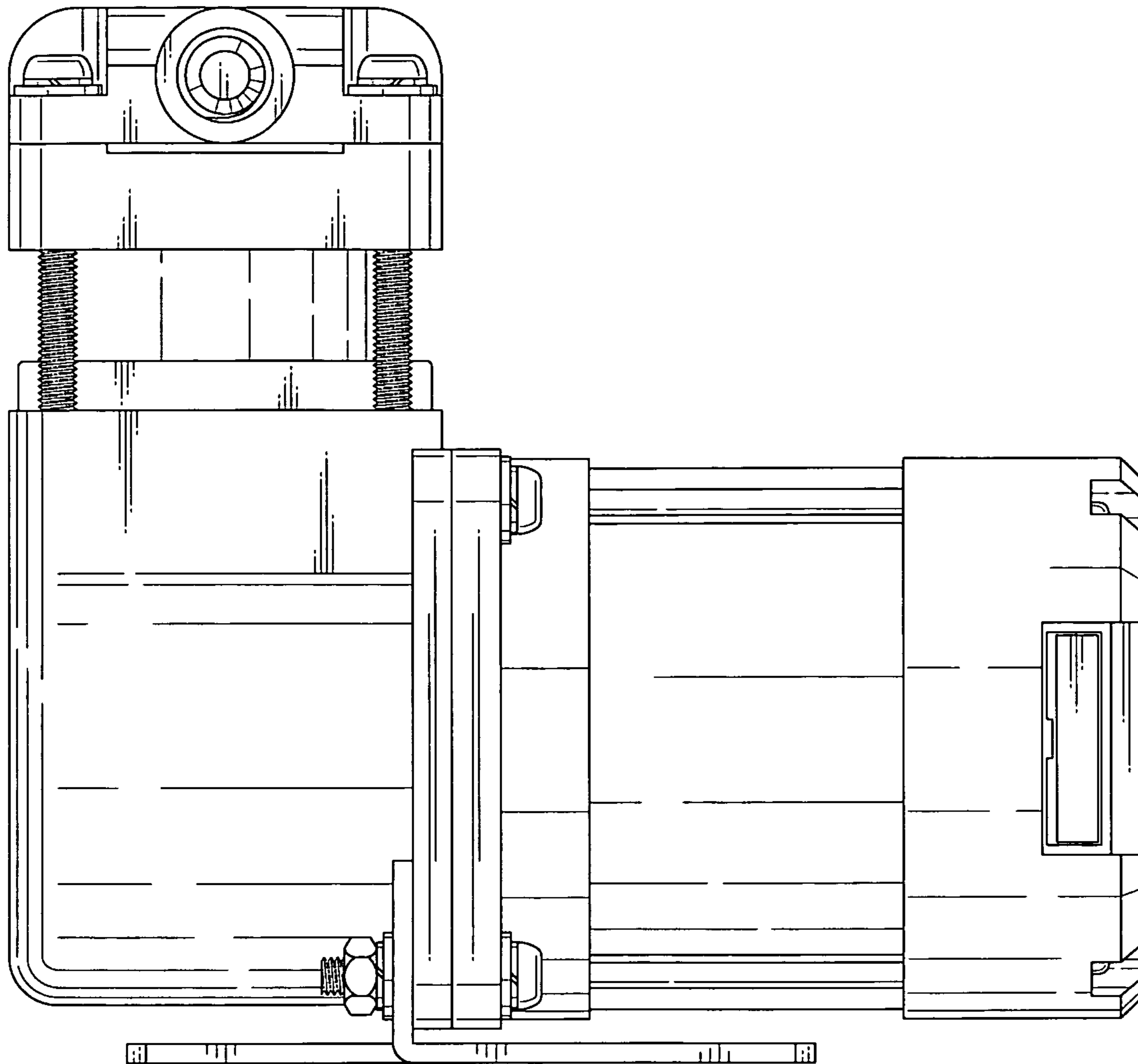


Fig.2

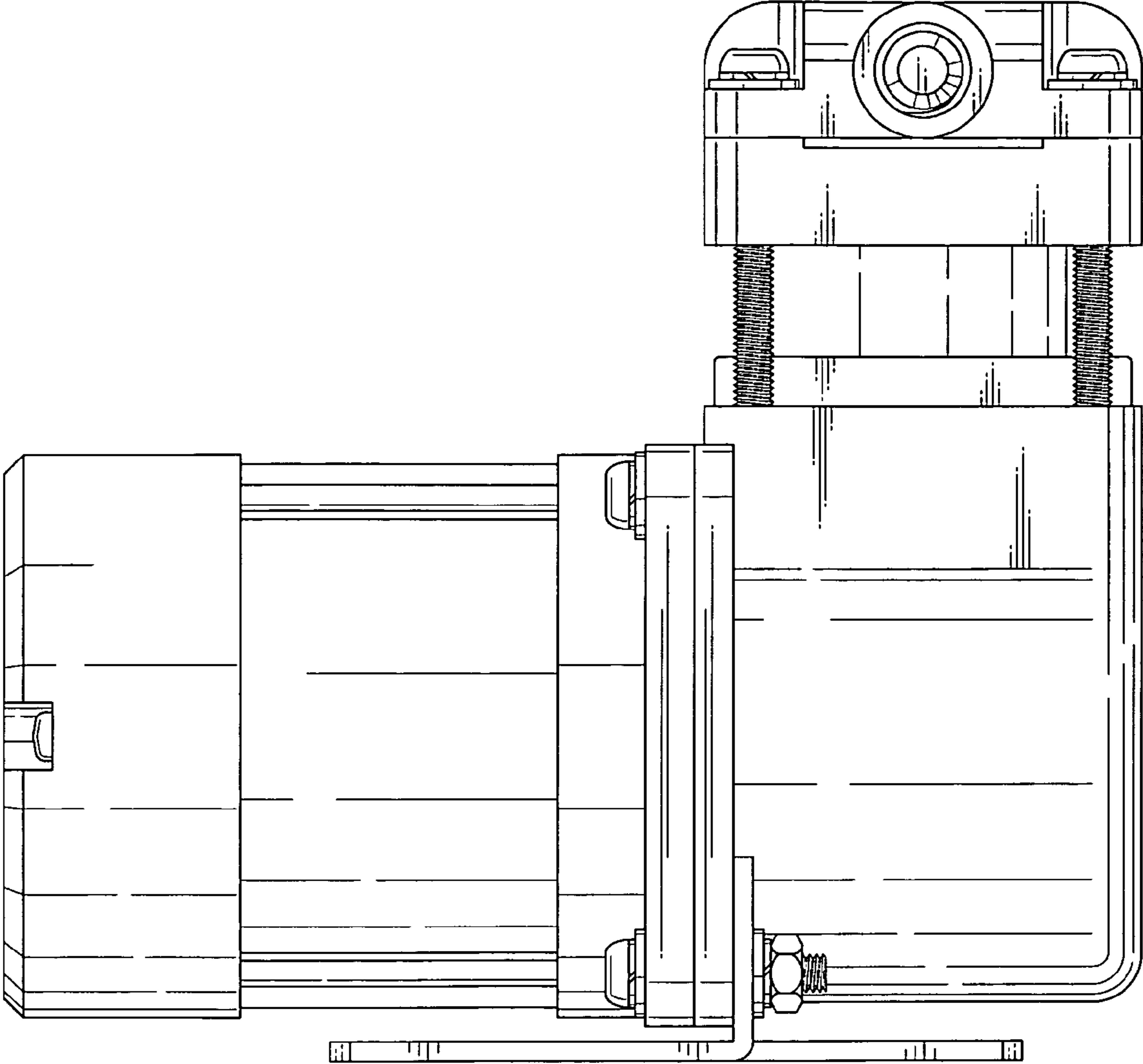


Fig.3

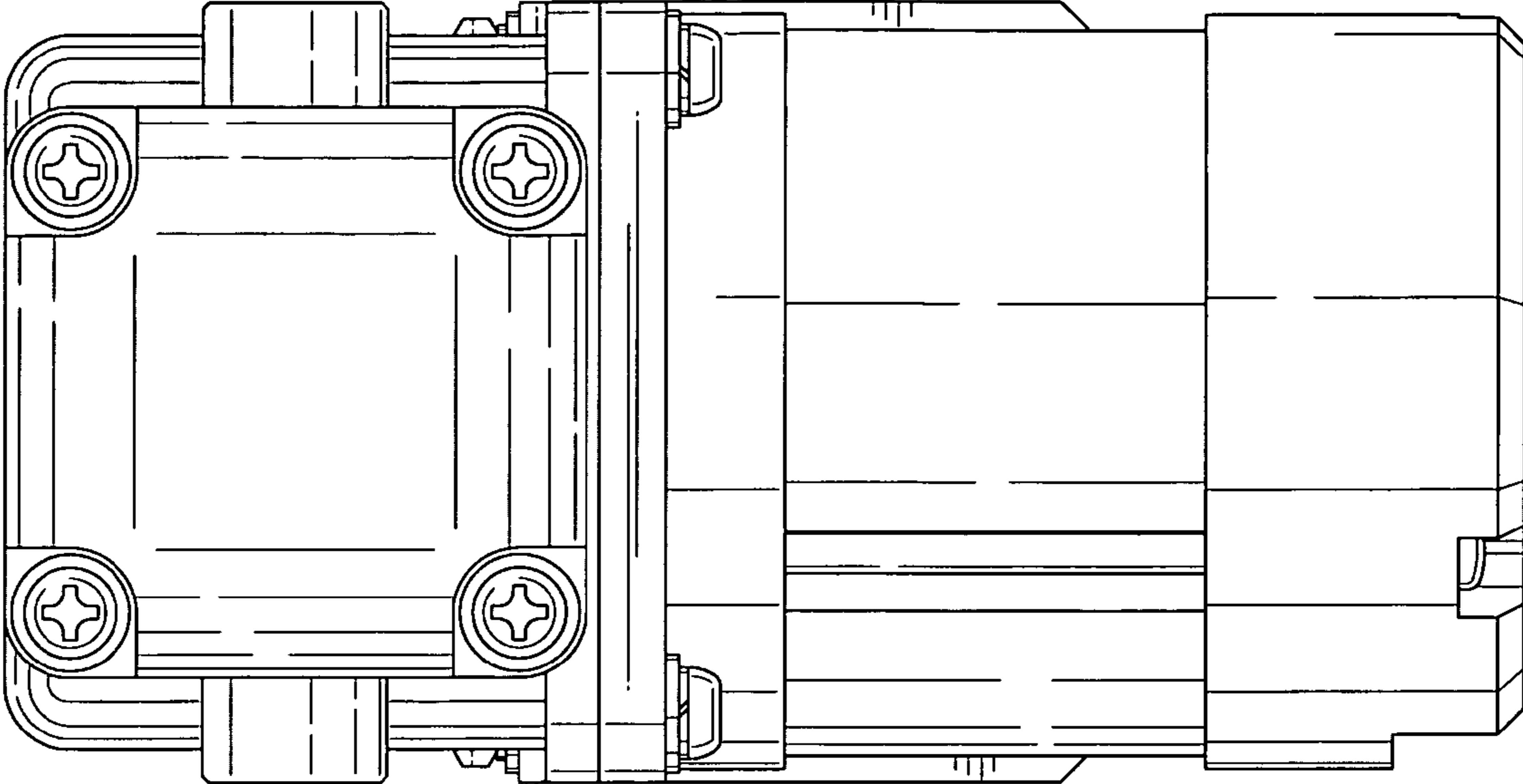


Fig.4

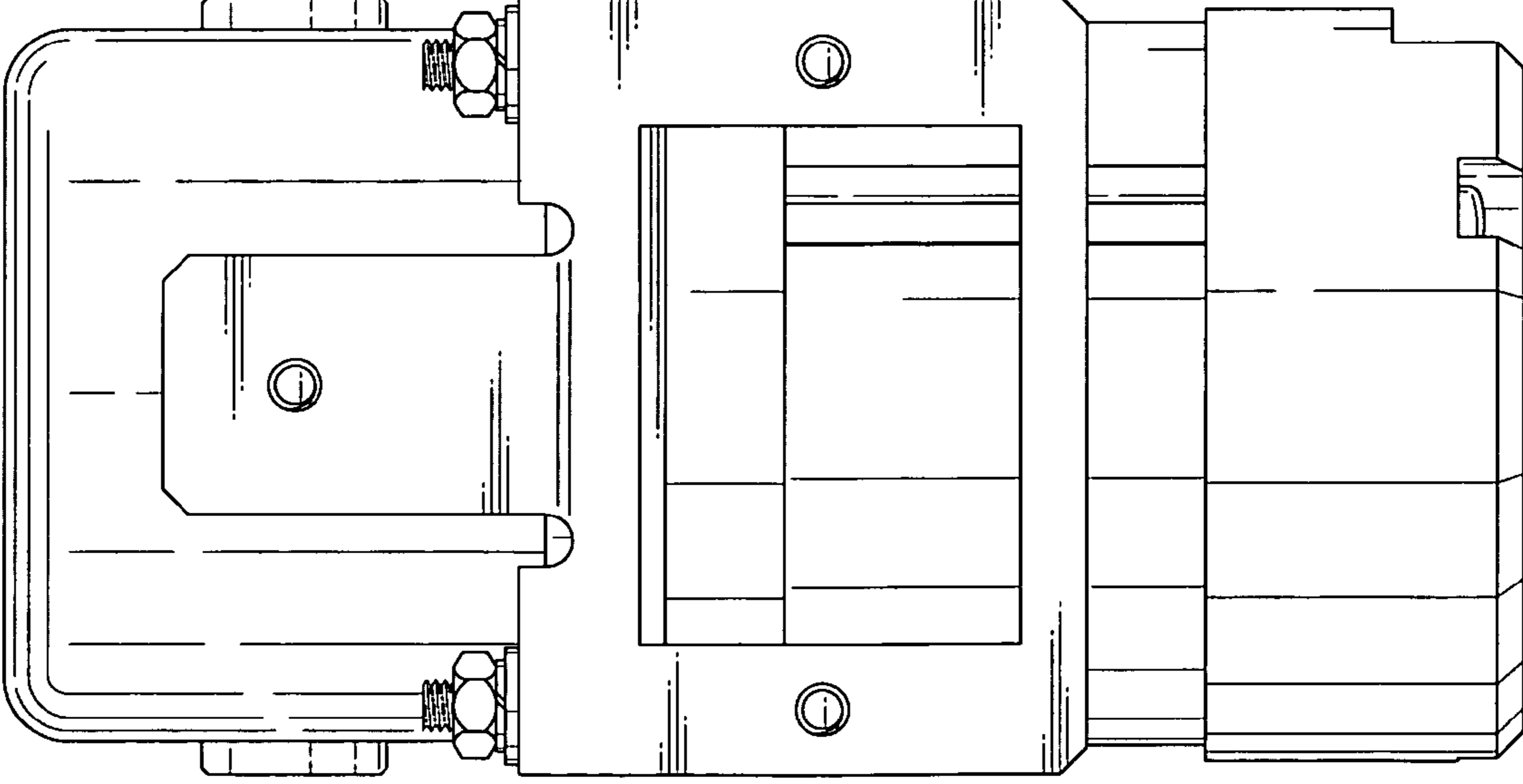


Fig.5

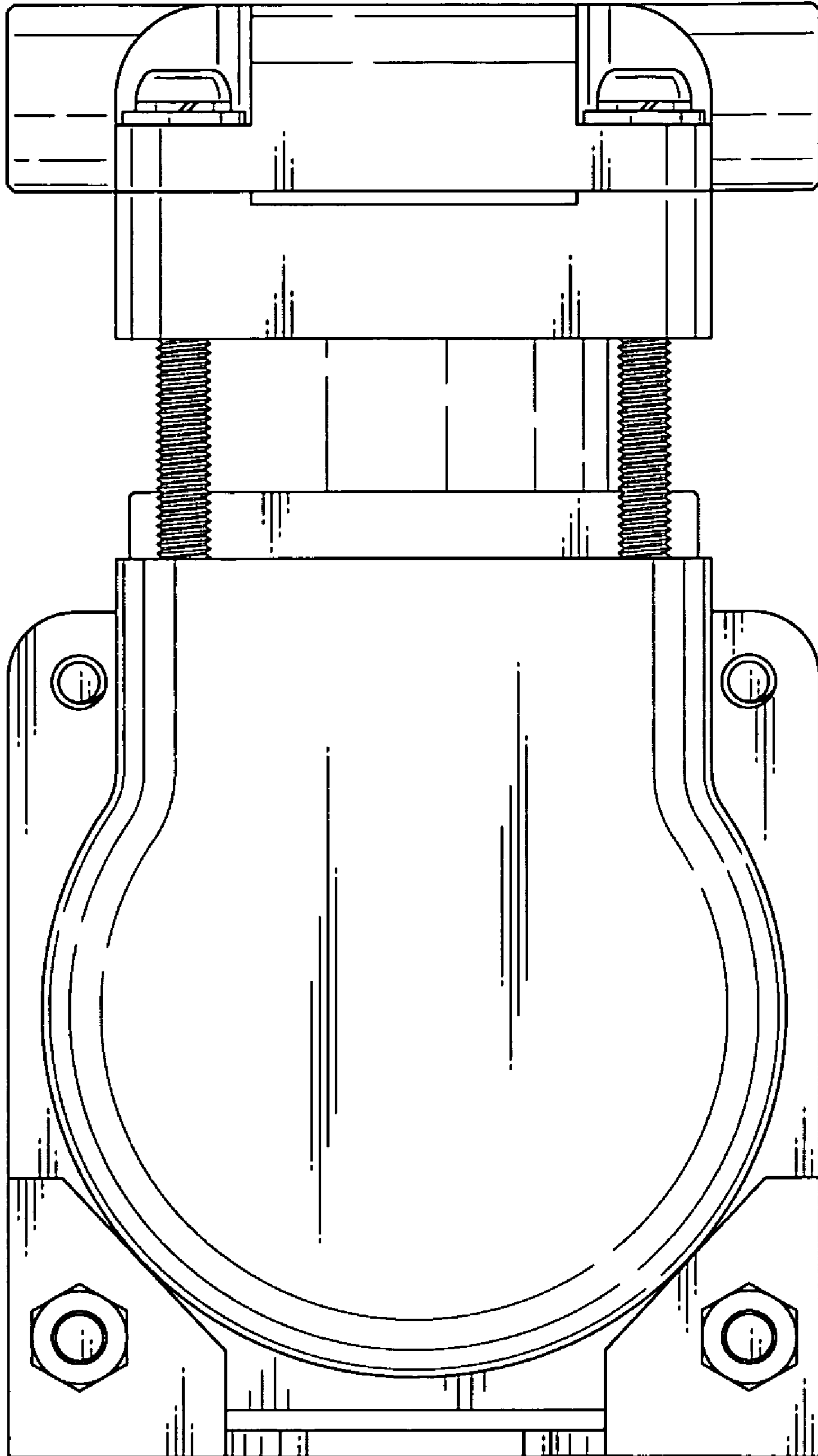


Fig.6

