

US00D590420S

(12) **United States Design Patent**
Casalini

(10) **Patent No.:** **US D590,420 S**

(45) **Date of Patent:** **** Apr. 14, 2009**

(54) **PUMP**

(75) Inventor: **Luca Casalini**, Pontedera (IT)

(73) Assignee: **Leader Pumps Group S.p.A.**, Bientina (IT)

(**) Term: **14 Years**

(21) Appl. No.: **29/300,809**

(22) Filed: **May 16, 2008**

(30) **Foreign Application Priority Data**

Dec. 20, 2007 (EM) 000847462

(51) **LOC (9) Cl.** **15-02**

(52) **U.S. Cl.** **D15/7**

(58) **Field of Classification Search** D15/7-9;
D23/231, 232, 225; 417/410.1, 359, 415-416,
417/234, 321, 265, 405

See application file for complete search history.

(56) **References Cited**

U.S. PATENT DOCUMENTS

D258,210 S * 2/1981 Shure D15/7

D491,957 S * 6/2004 Fang D15/7
D500,770 S * 1/2005 Pohler D15/7
D558,233 S * 12/2007 Itani D15/7
D565,600 S * 4/2008 Tazioli D15/7

* cited by examiner

Primary Examiner—R. Seifert

(74) *Attorney, Agent, or Firm*—Modiano & Associati; Albert Josif; Daniel J. O’Byrne

(57) **CLAIM**

The ornamental design for “pump”, as shown.

DESCRIPTION

FIG. 1 is a perspective view of a pump showing my new design;

FIG. 2 is a front view thereof;

FIG. 3 is a rear view thereof;

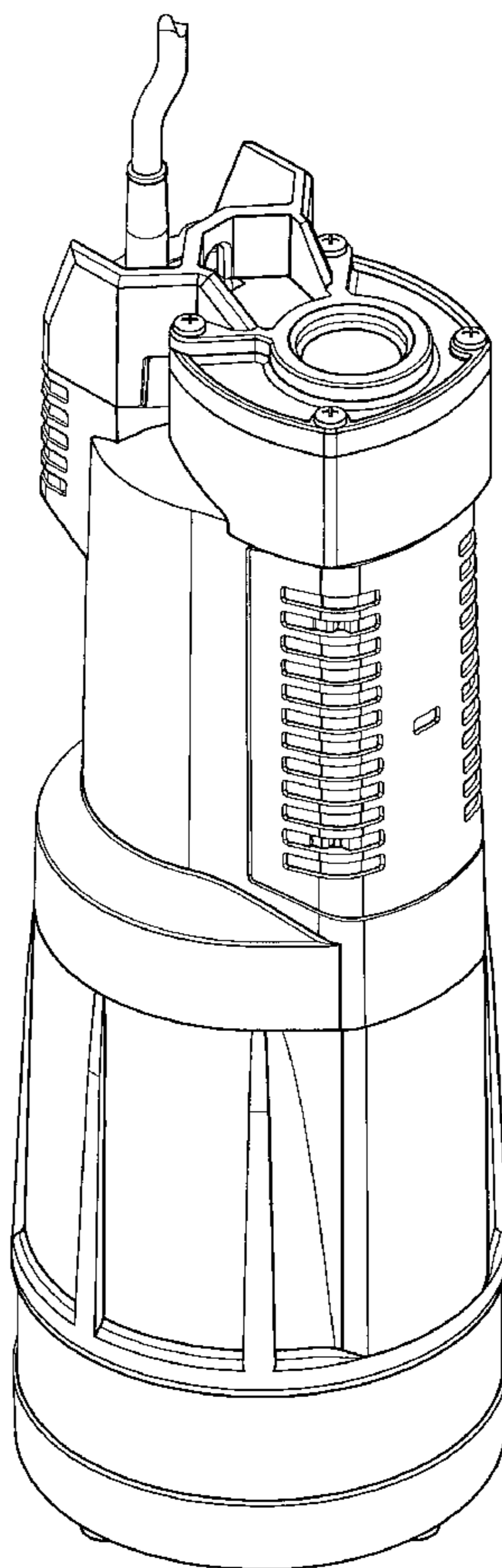
FIG. 4 is a left side view thereof;

FIG. 5 is a right side view thereof;

FIG. 6 is a bottom view thereof; and,

FIG. 7 is a top view thereof.

1 Claim, 6 Drawing Sheets



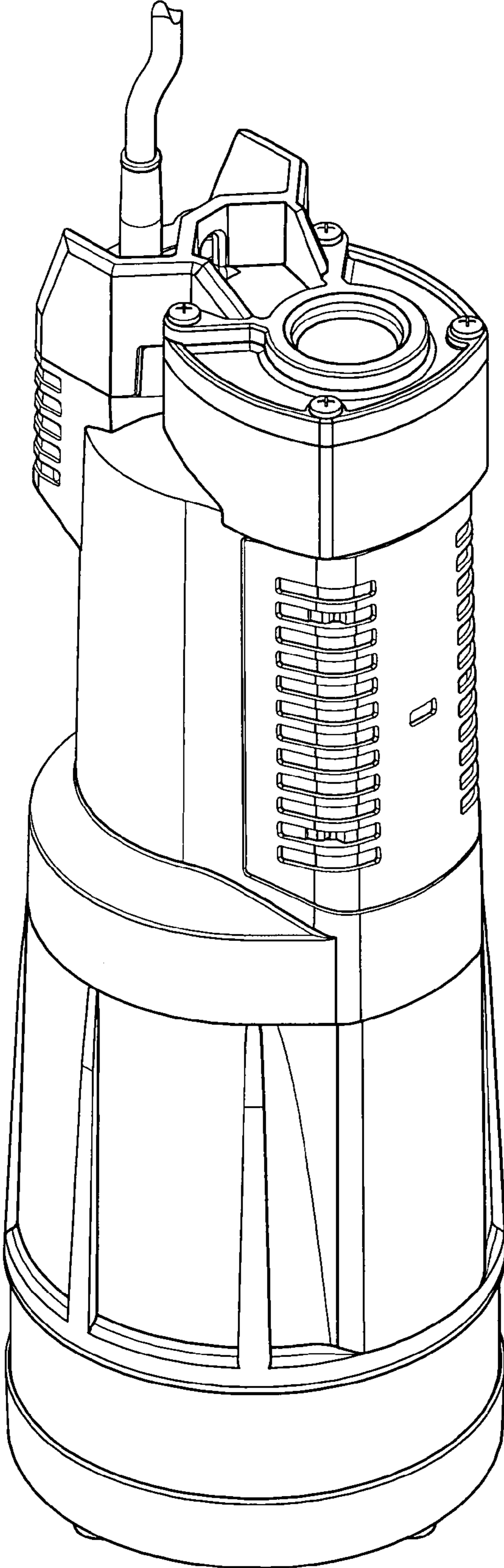


Fig. 1

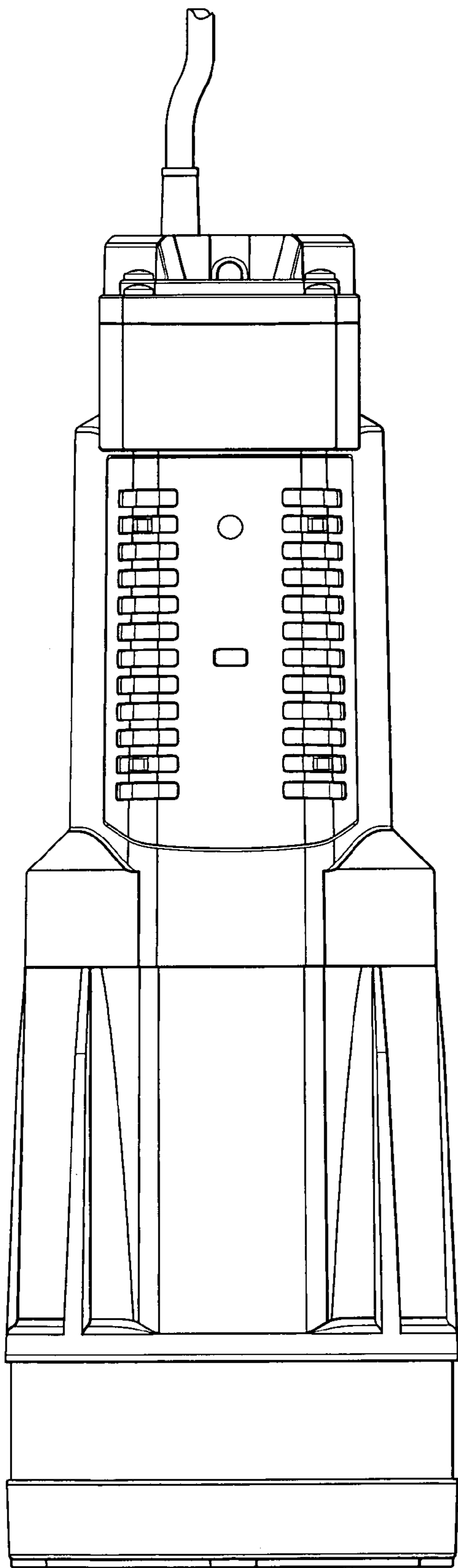


Fig. 2

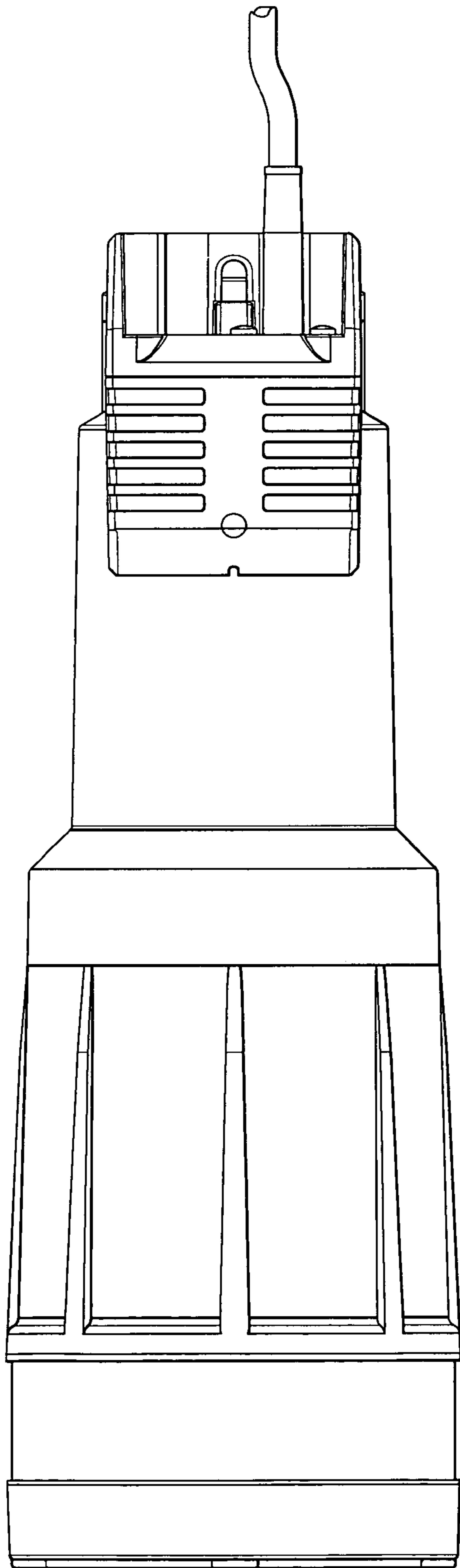


Fig. 3

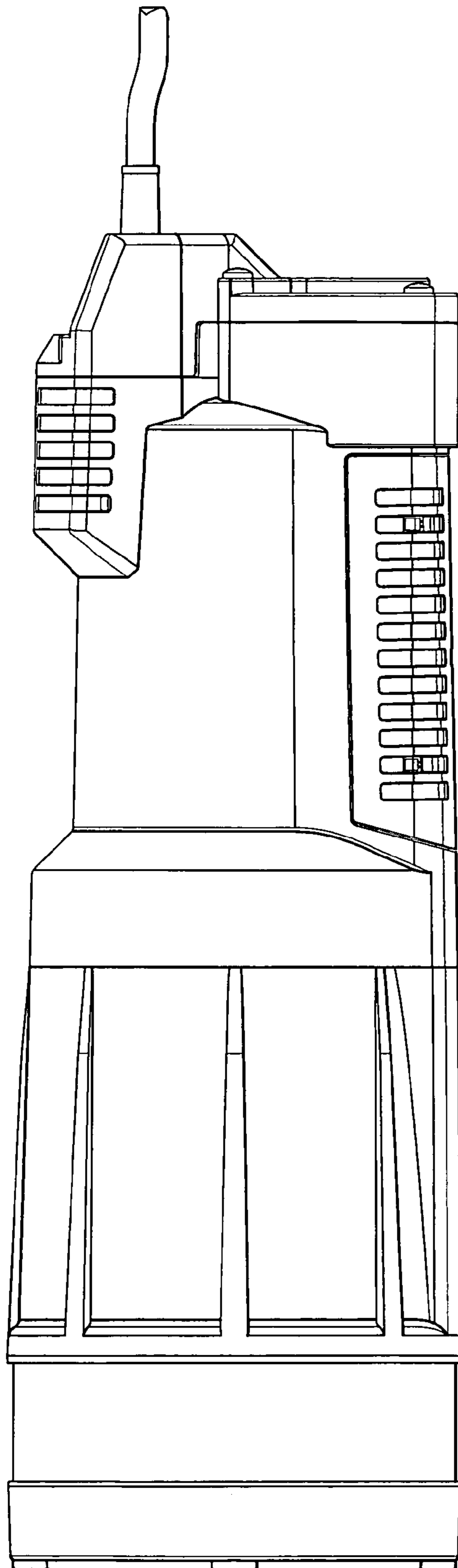


Fig. 4

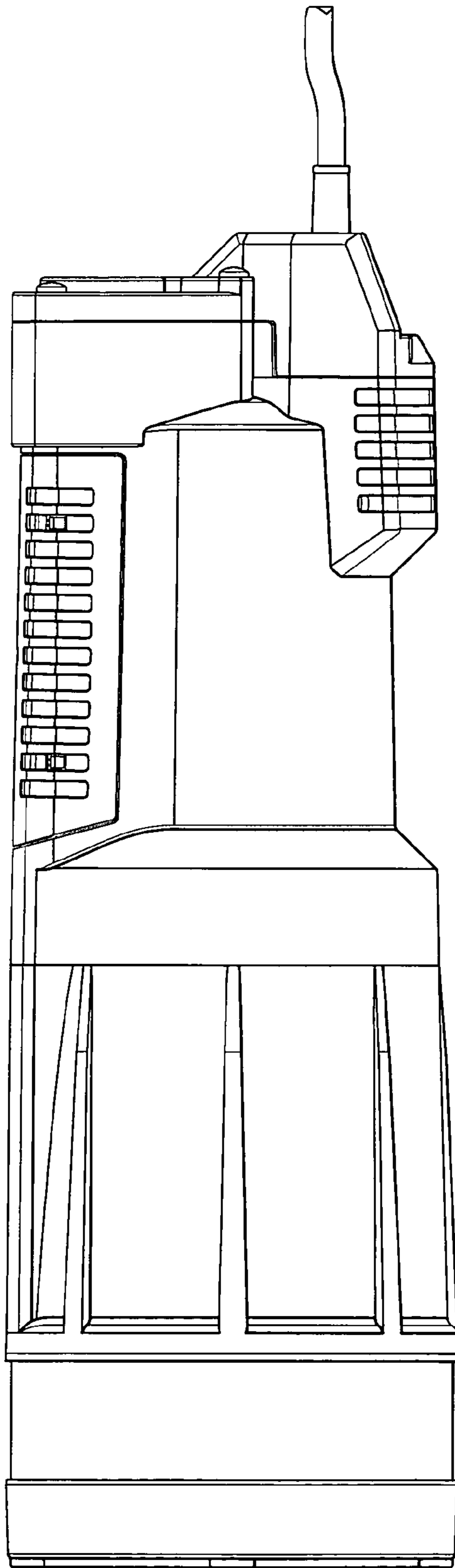


Fig. 5

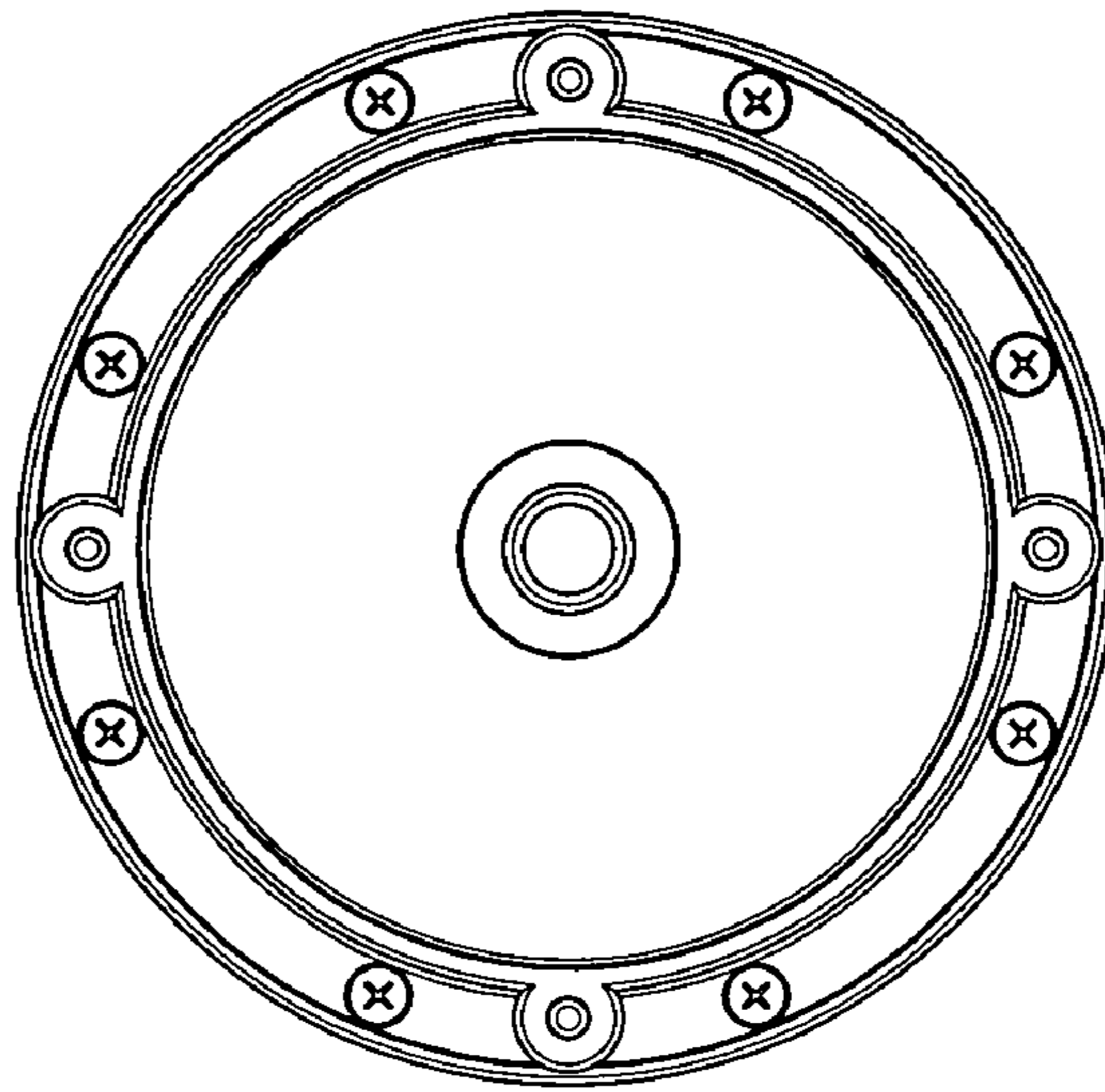


Fig. 6

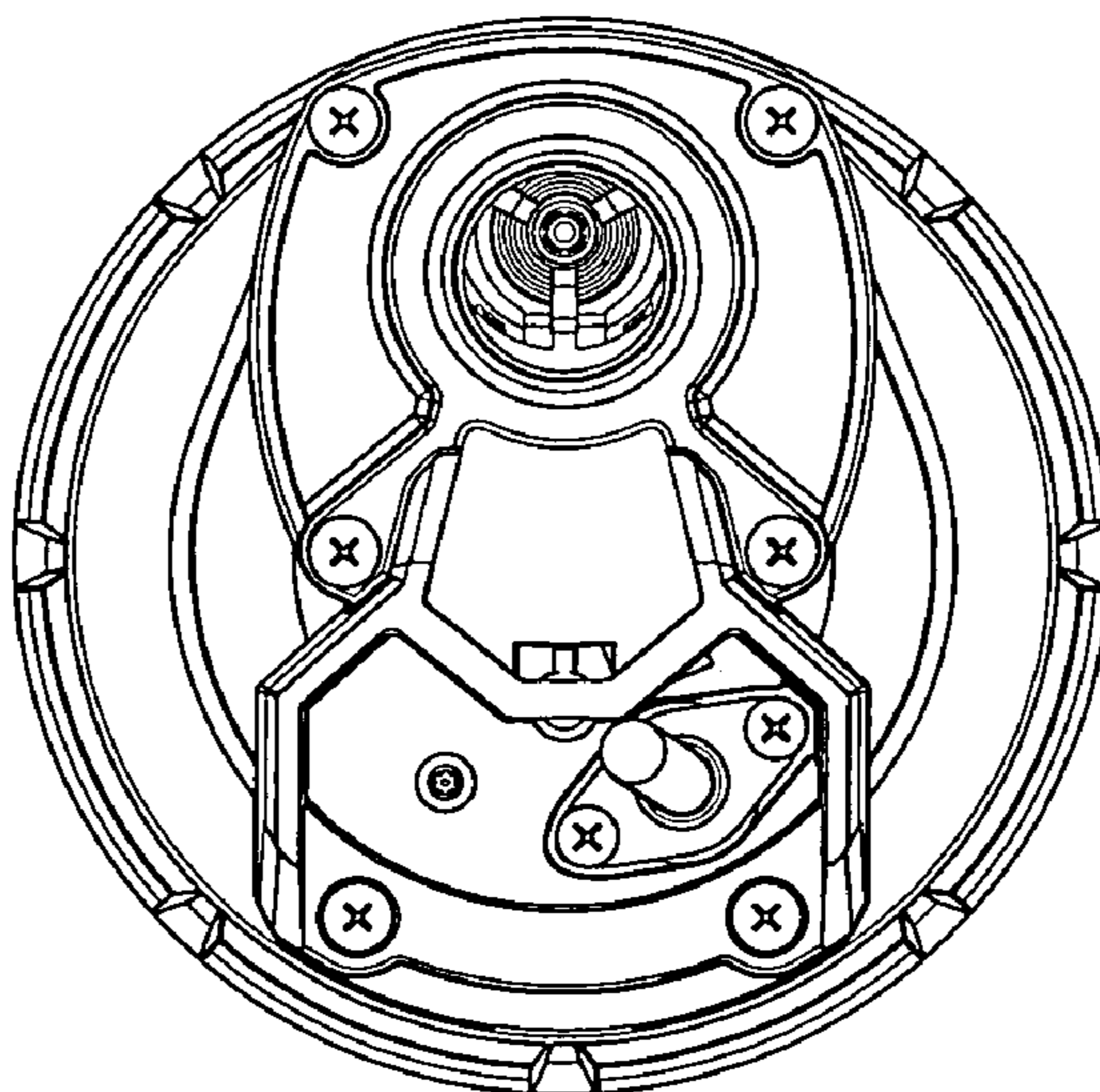


Fig. 7