



US00D590419S

(12) **United States Design Patent**
Duffek et al.

(10) **Patent No.:** **US D590,419 S**
(45) **Date of Patent:** **** Apr. 14, 2009**

(54) **ENGINE EXHAUST TREATMENT DEVICE HOUSING**

(75) Inventors: **Ryan M. Duffek**, Dunlap, IL (US);
Thomas V. Staley, Peoria, IL (US);
Richard A. Crandell, Peoria, IL (US)

(73) Assignee: **Caterpillar Inc.**, Peoria, IL (US)

(**) Term: **14 Years**

(21) Appl. No.: **29/301,554**

(22) Filed: **Mar. 6, 2008**

(51) **LOC (9) Cl.** **15-01**

(52) **U.S. Cl.** **D15/5**

(58) **Field of Classification Search** D15/1,
D15/3, 5; 55/337; 123/41.67, 198 E; 418/91;
60/299, 274, 324; 23/288 F

See application file for complete search history.

(56) **References Cited**

U.S. PATENT DOCUMENTS

3,852,042 A * 12/1974 Wagner 422/176
6,712,869 B2 3/2004 Cheng et al.
6,887,294 B2 5/2005 Kanematsu

OTHER PUBLICATIONS

Thiesel 2002 Conference on Thermo- and Fluid-Dynamic Processes
in Diesel Engines, "An Integrated Approach for the Design of Diesel

Engine Exhaust Systems to meeting Euro 4 and beyond Emissions
Legislations," pp. 1-15.

Photos of exhaust treatment arrangements displayed by a non-Cater-
pillar companies at the Mid-America Trucking Show on Mar. 22,
2007 in Louisville, Kentucky (4 sheets).

* cited by examiner

Primary Examiner—Lisa P Lichtenstein

(57) **CLAIM**

The ornamental design for an engine exhaust treatment
device housing, as shown and described.

DESCRIPTION

FIG. 1 is a perspective view of an engine exhaust treatment
device housing of our design;

FIG. 2 is a right side view thereof;

FIG. 3 is a top view thereof;

FIG. 4 is a front view thereof;

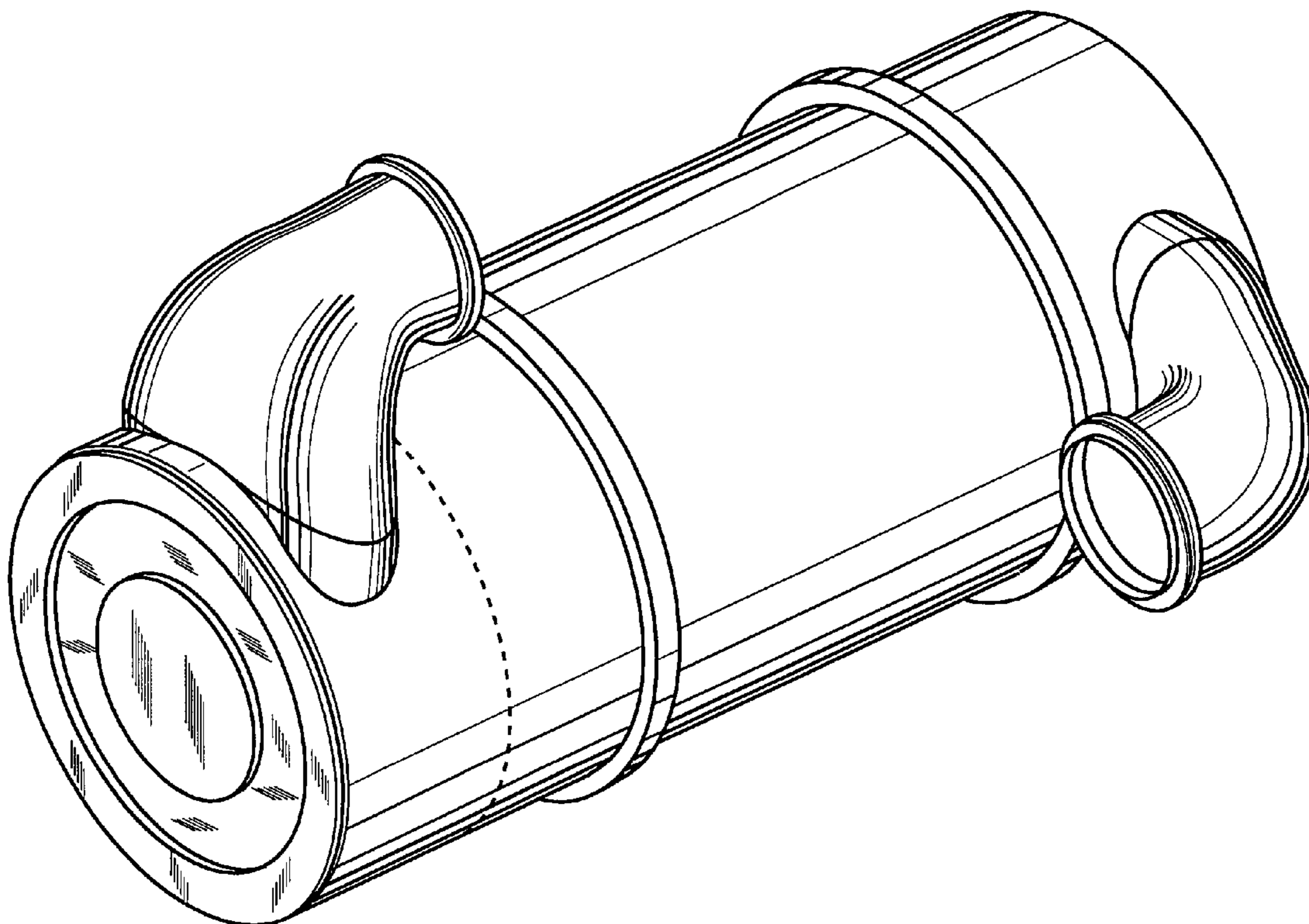
FIG. 5 is a left side view thereof;

FIG. 6 is a bottom view thereof; and,

FIG. 7 is a rear view thereof.

The broken line showing of a portion of an engine exhaust
treatment device housing is included for the purpose of illus-
trating environmental structure and forms no part of the
claimed design.

1 Claim, 7 Drawing Sheets



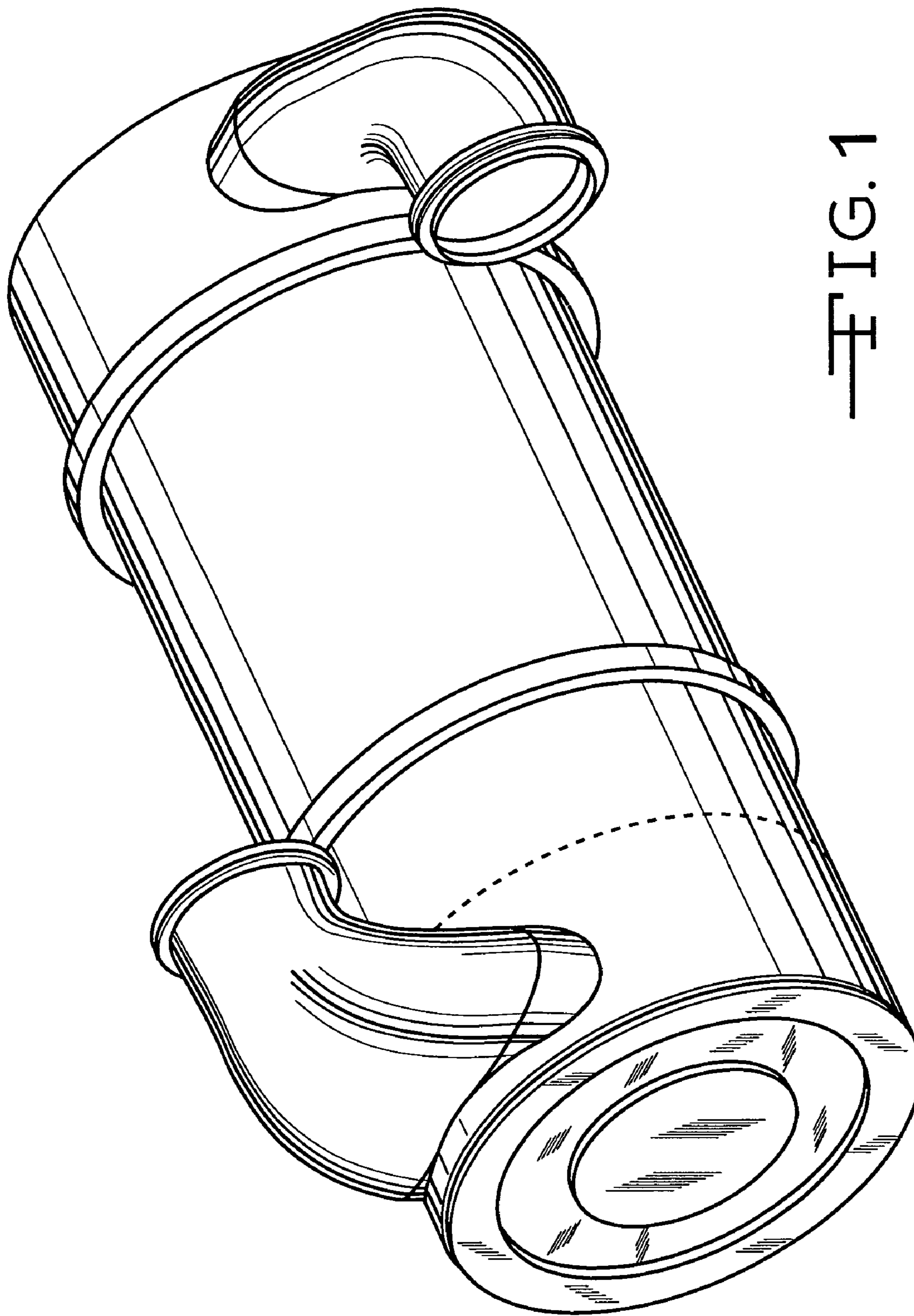


FIG. 1

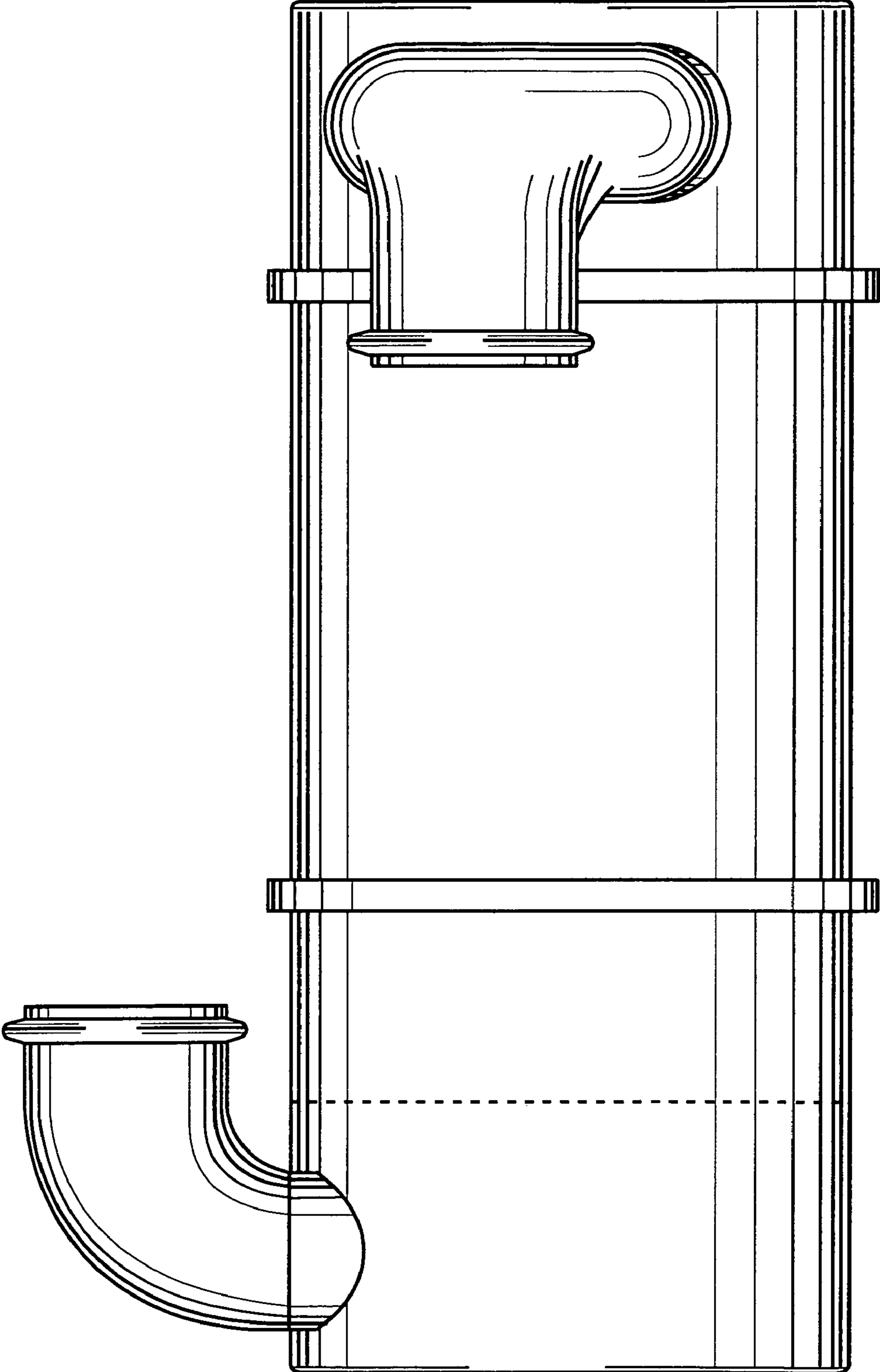


FIG. 2

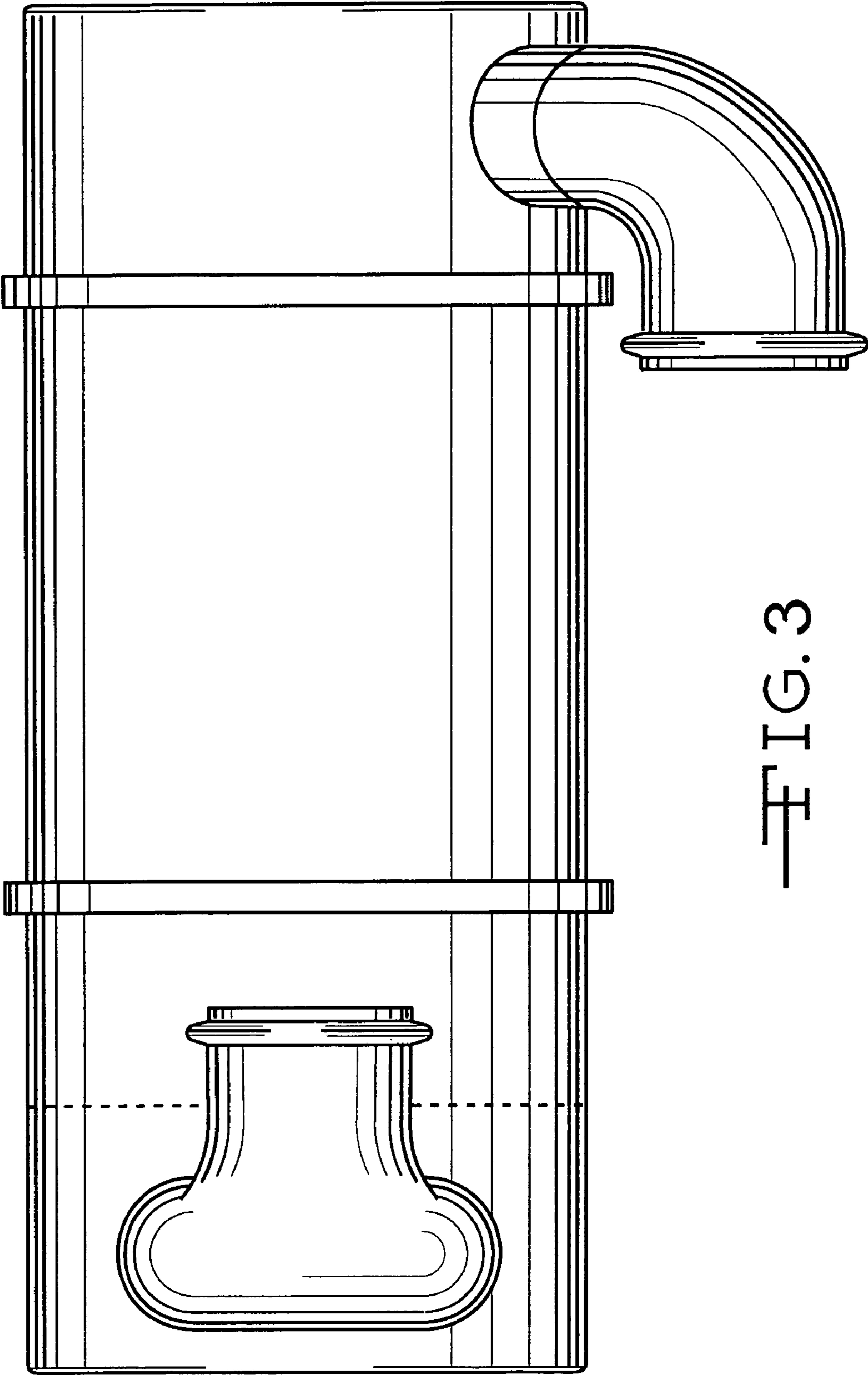


FIG. 3

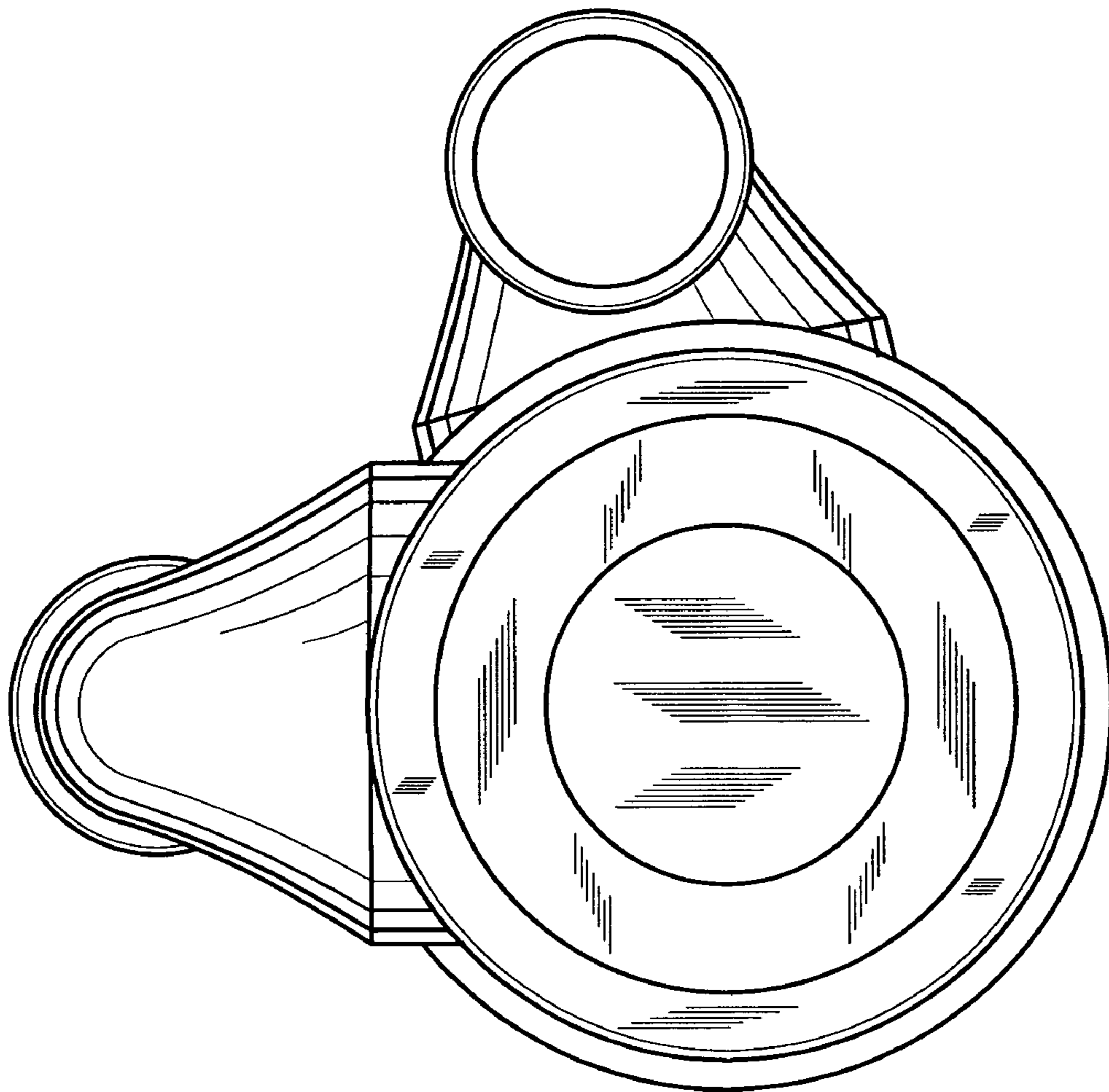


FIG. 4

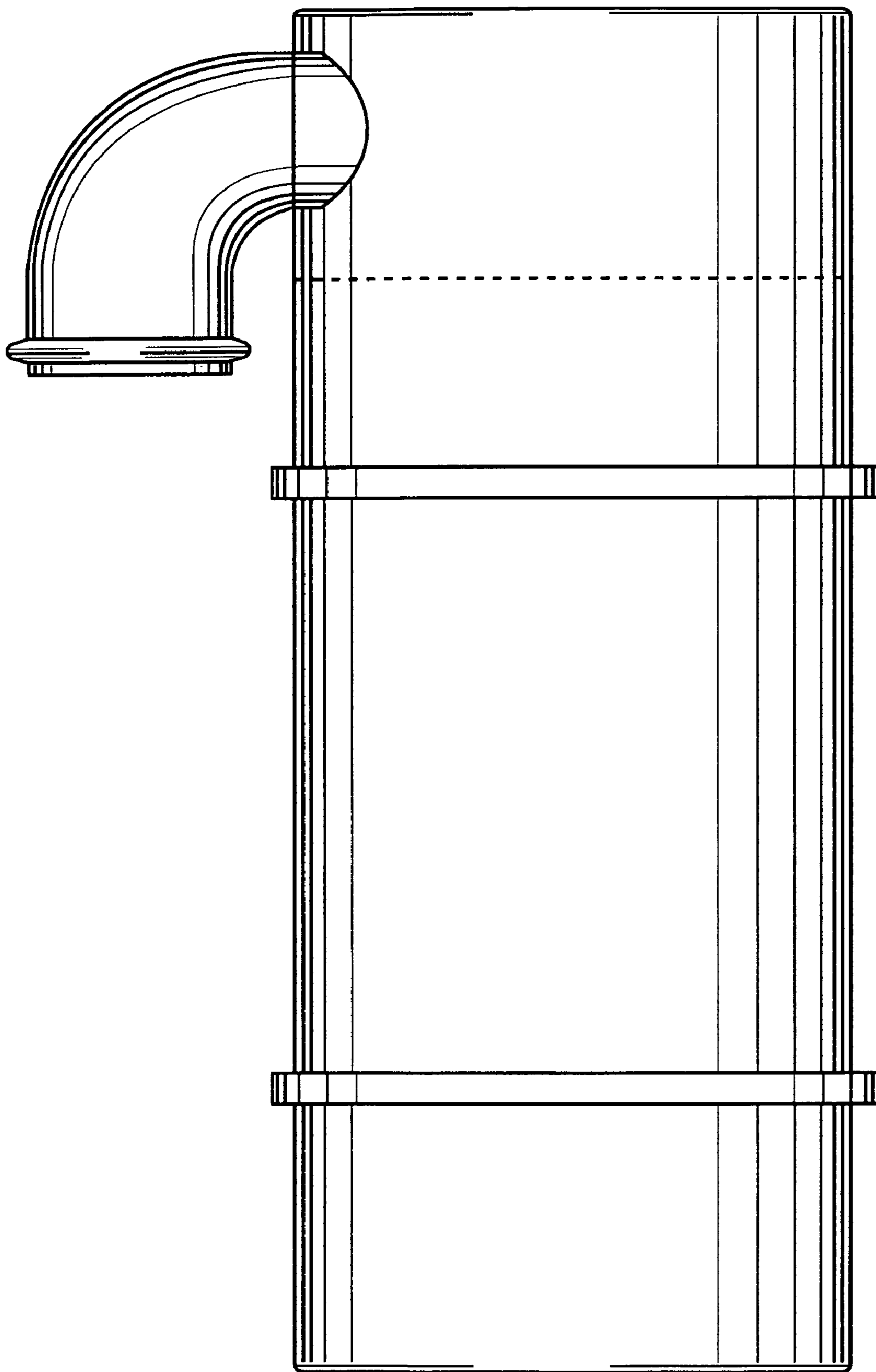


FIG. 5

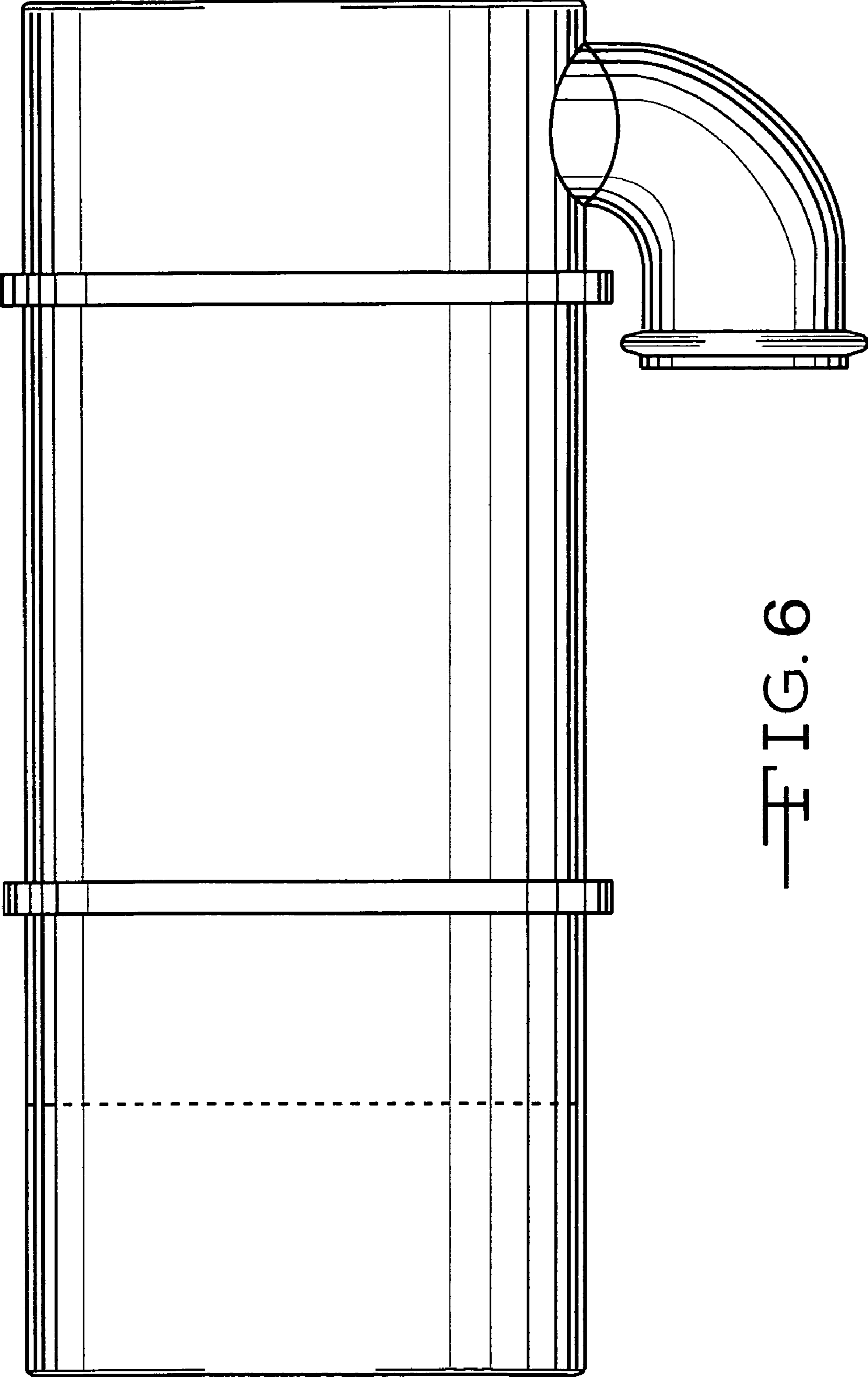


FIG. 6

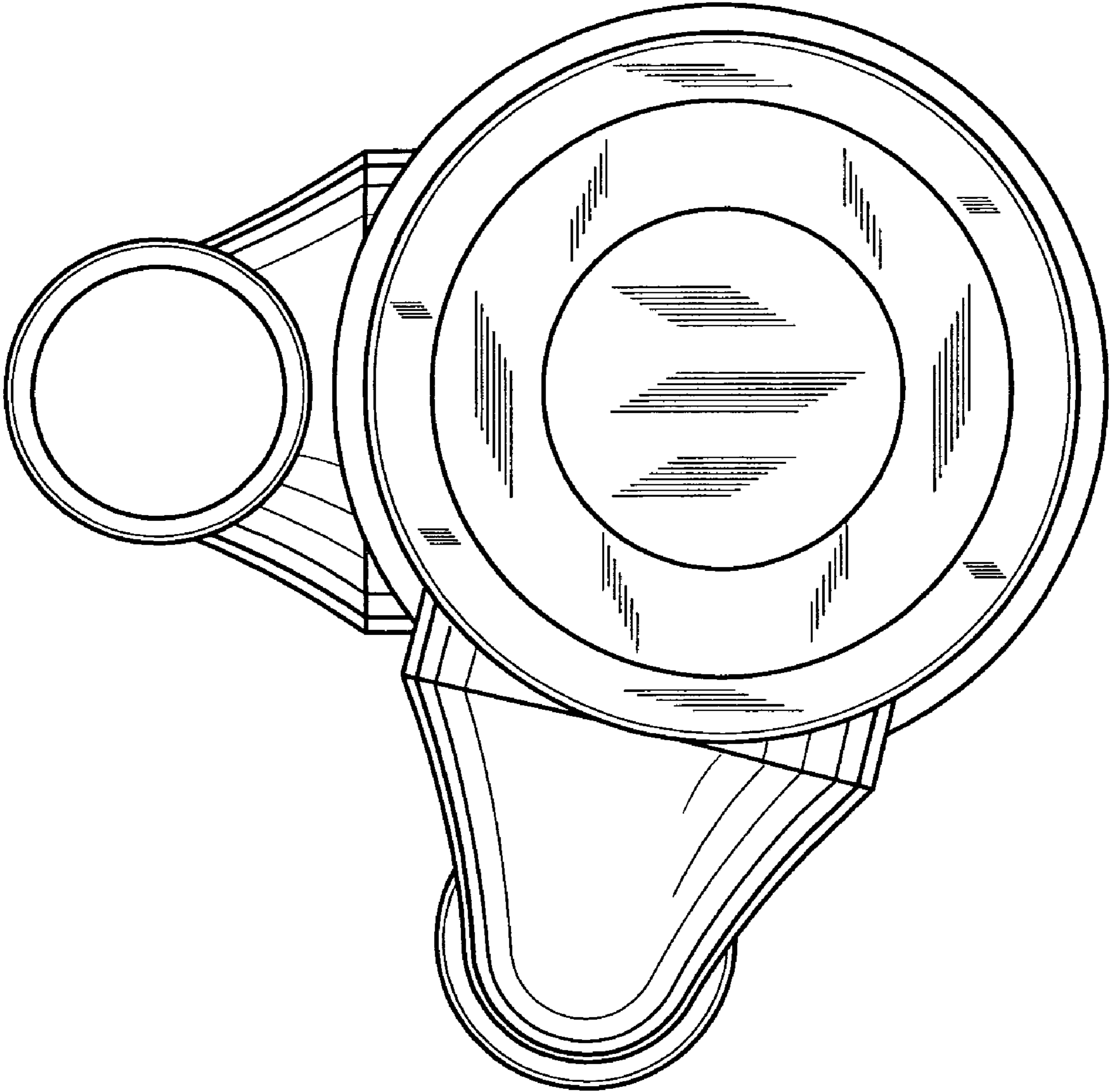


FIG. 7