



US00D590404S

(12) **United States Design Patent**  
**Kim et al.**

(10) **Patent No.:** **US D590,404 S**  
(45) **Date of Patent:** **\*\* Apr. 14, 2009**

(54) **LAPTOP STAND**

(75) Inventors: **Young Soo Kim**, Bellevue, WA (US);  
**Ralf Groene**, Kirkland, WA (US)

(73) Assignee: **Microsoft Corporation**, Redmond, WA (US)

(\*\*) Term: **14 Years**

(21) Appl. No.: **29/317,221**

(22) Filed: **Apr. 24, 2008**

(51) **LOC (9) Cl.** ..... **08-07**

(52) **U.S. Cl.** ..... **D14/447**

(58) **Field of Classification Search** ..... D14/447,  
D14/451, 452, 449, 251, 253, 239, 432, 434,  
D14/439, 448, 450, 454, 455, 457, 458, 459,  
D14/460, 461, 336, 337, 371, 372, 373, 374,  
D14/375, 376, 377, 378, 379, 380, 381, 382,  
D14/125, 126, 127, 129, 133, 305, 307, 335,  
D14/340, 339; D6/300, 308, 310, 312, 313,  
D6/314, 449, 512; D8/354, 363; D19/91,  
D19/90; 349/58, 60; 312/7.2; 348/790,  
348/794, 825, 836; 211/42, 43, 126.6, 132.1,  
211/171, 195; 248/917, 918, 919, 920, 921,  
248/922, 923, 924, 451, 454, 460; 361/680,  
361/681, 382, 683, 686

See application file for complete search history.

(56) **References Cited**

**U.S. PATENT DOCUMENTS**

D182,443 S \* 4/1958 Sherman ..... D19/90  
D228,998 S \* 11/1973 Rozman ..... D6/310  
D276,734 S \* 12/1984 Landstrom ..... D19/91  
D333,489 S \* 2/1993 Stern et al. .... D19/90  
D350,008 S \* 8/1994 Gaudet, Sr. .... D99/99  
D390,271 S \* 2/1998 Wolff ..... D19/90  
D432,578 S \* 10/2000 Stravitz ..... D19/91  
D439,279 S \* 3/2001 McColskey et al. .... D19/90  
6,545,864 B2 \* 4/2003 Davis, IV ..... 361/683  
D478,354 S \* 8/2003 Chen ..... D19/90

D521,562 S \* 5/2006 Richter ..... D19/91  
D546,889 S \* 7/2007 Bhavnani ..... D19/91  
7,252,279 B2 \* 8/2007 Conibear ..... 248/447

\* cited by examiner

*Primary Examiner*—Cathron C Brooks

*Assistant Examiner*—Angela J Lee

(74) *Attorney, Agent, or Firm*—Banner & Witcoff, Ltd.

(57) **CLAIM**

The ornamental design for a laptop stand, as shown and described.

**DESCRIPTION**

FIG. 1 is a front perspective view of a laptop stand showing our new design;

FIG. 2 is a front view thereof;

FIG. 3 is a rear view thereof;

FIG. 4 is a right side view thereof;

FIG. 5 is a left side view thereof;

FIG. 6 is a top view thereof;

FIG. 7 is a bottom view thereof;

FIG. 8 is a top perspective view thereof;

FIG. 9 is a perspective view of a laptop stand showing another embodiment of our new design;

FIG. 10 is a front view thereof;

FIG. 11 is a rear view thereof;

FIG. 12 is a right side view thereof;

FIG. 13 is a left side view thereof;

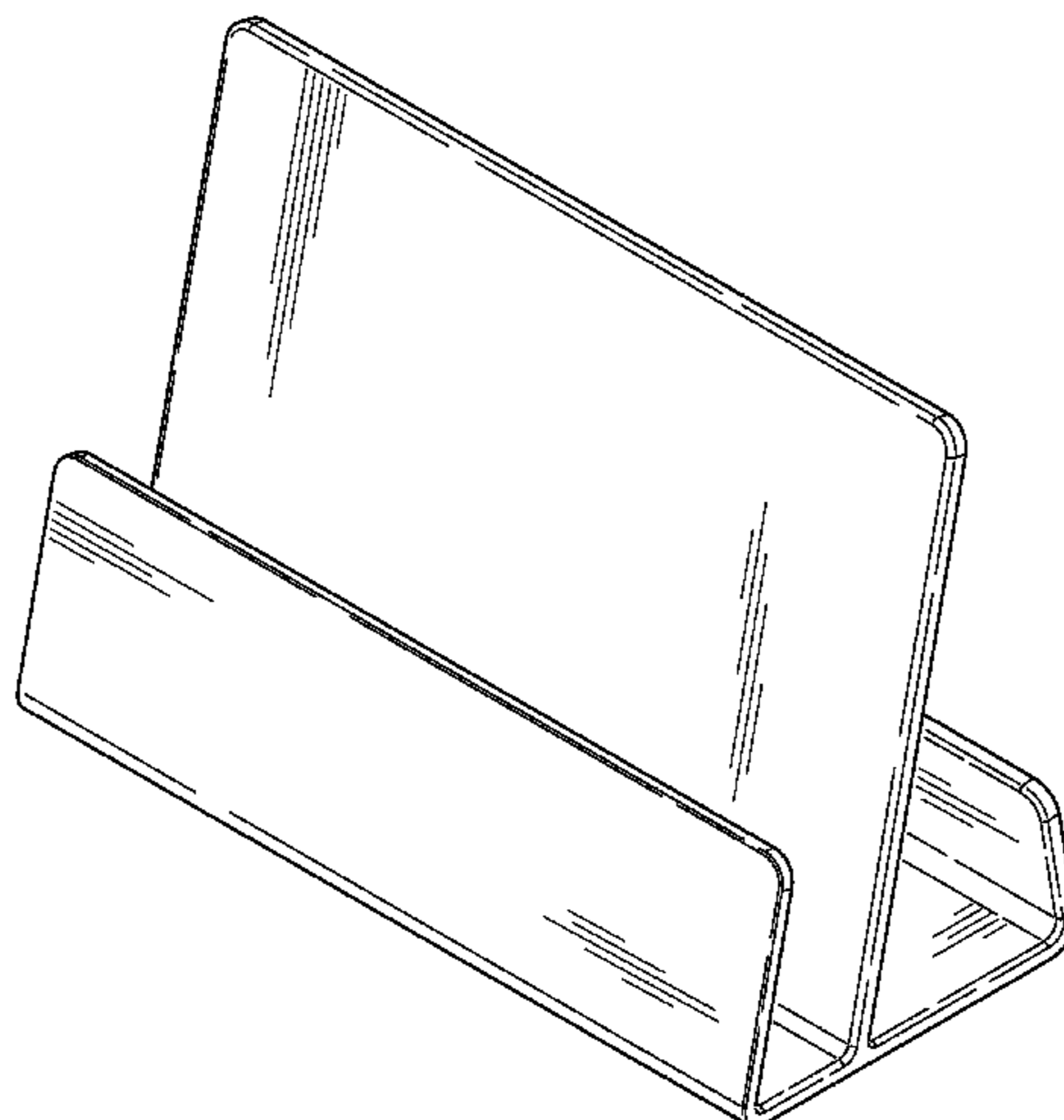
FIG. 14 is a top view thereof;

FIG. 15 is a bottom view thereof; and,

FIG. 16 is a top perspective view thereof.

The broken line showing of various environmental structures in FIGS. 1–8 is for illustrative purposes only and forms no part of the claimed design.

**1 Claim, 10 Drawing Sheets**



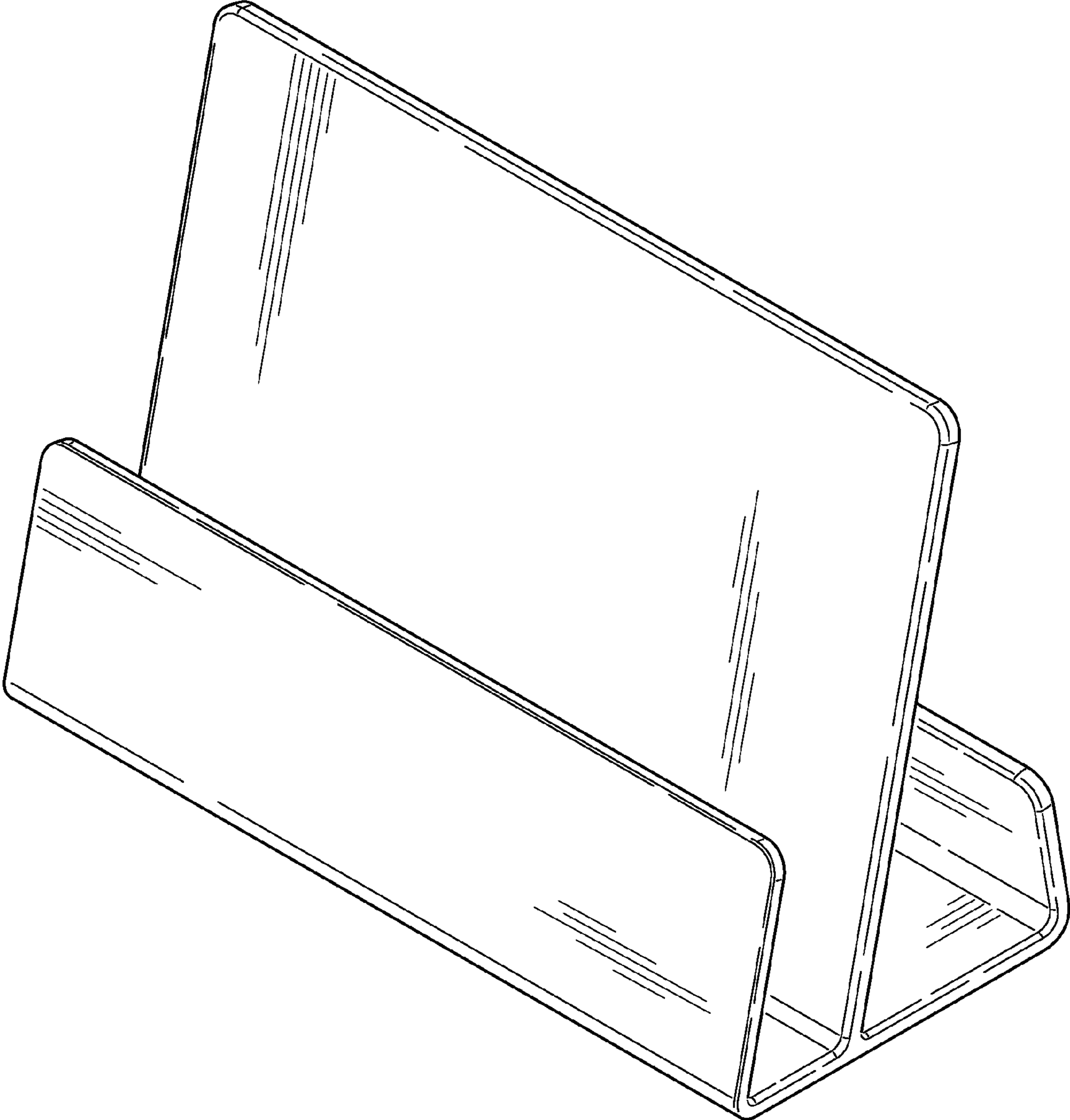


FIG. 1

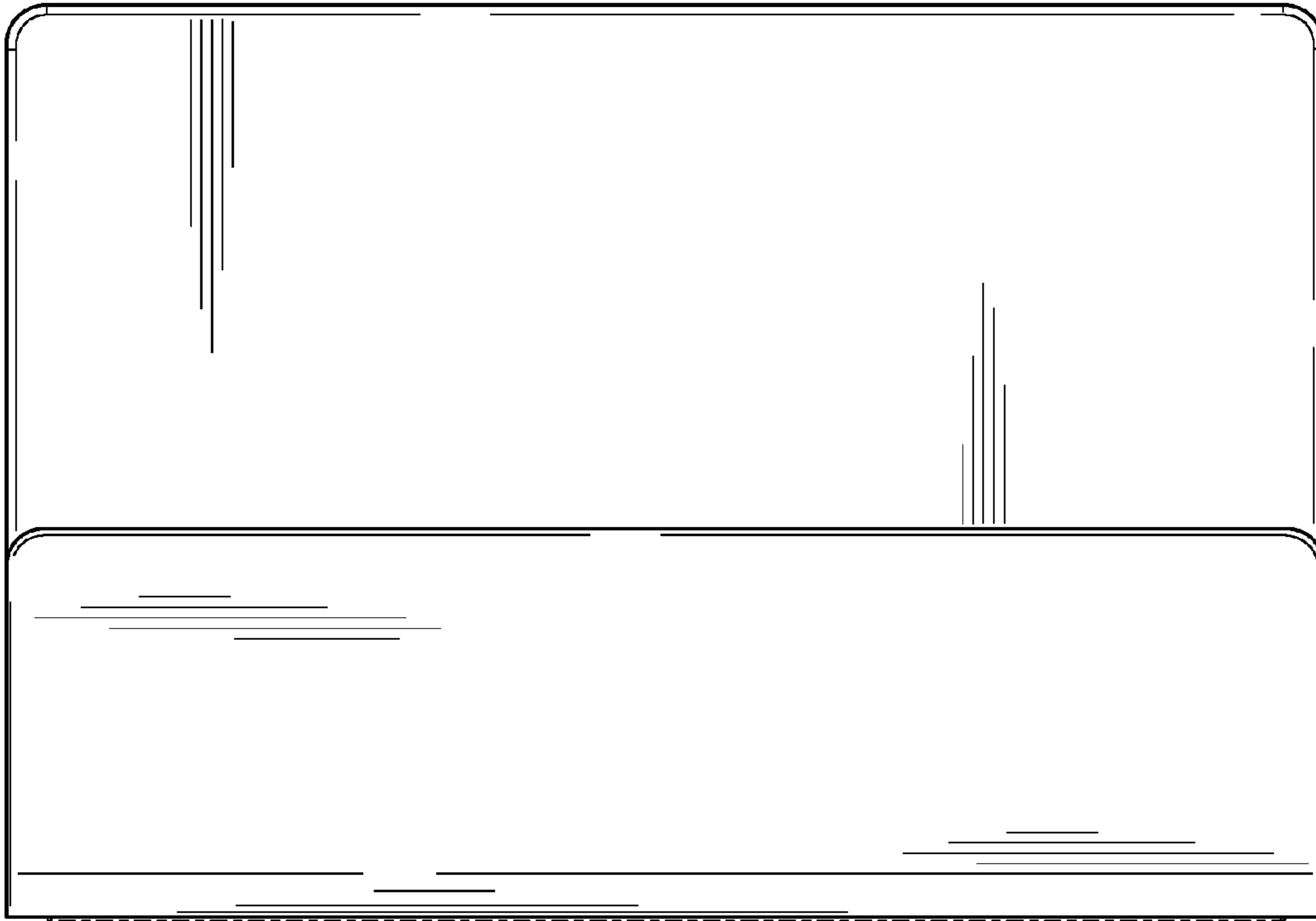


FIG. 2

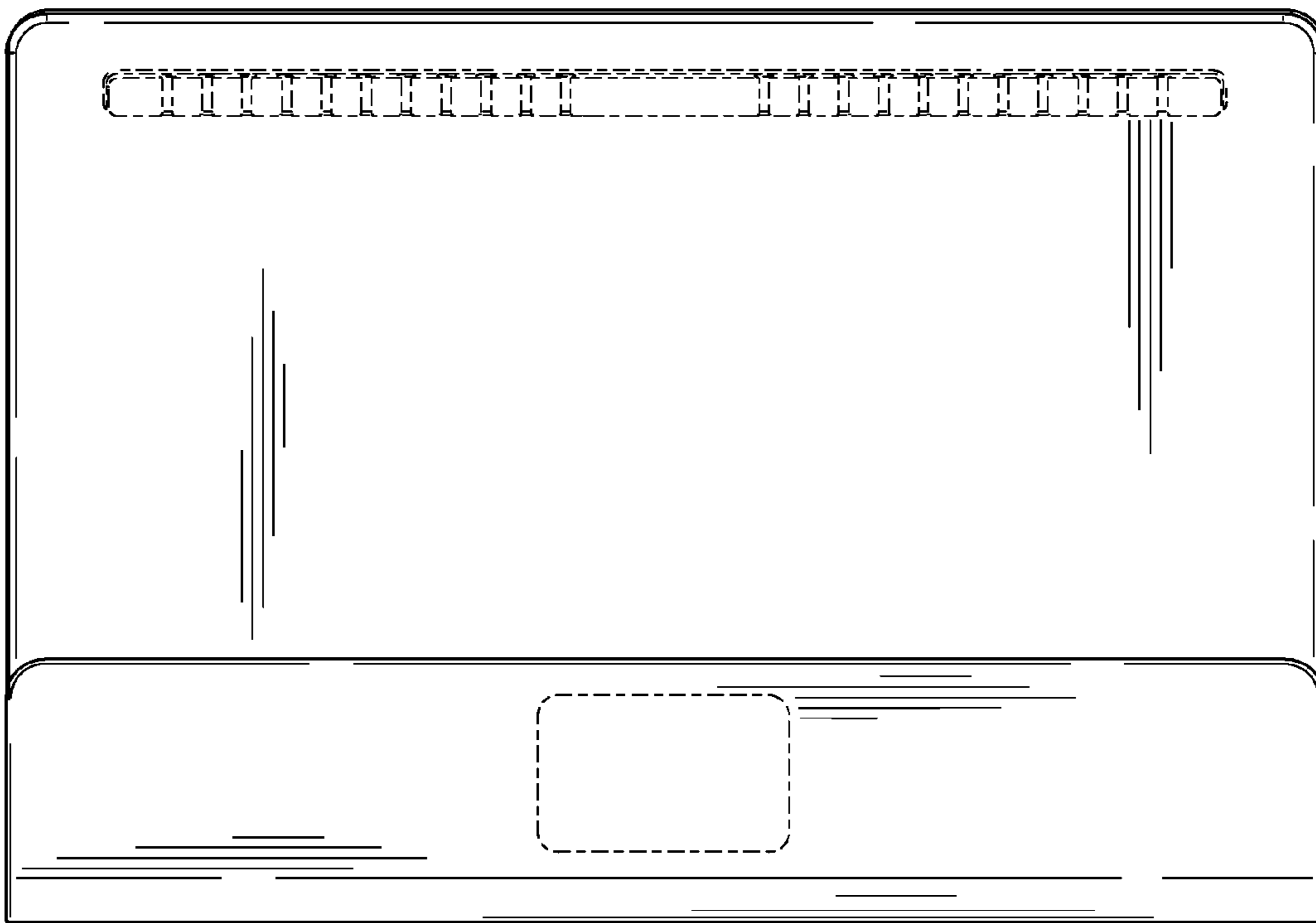


FIG. 3

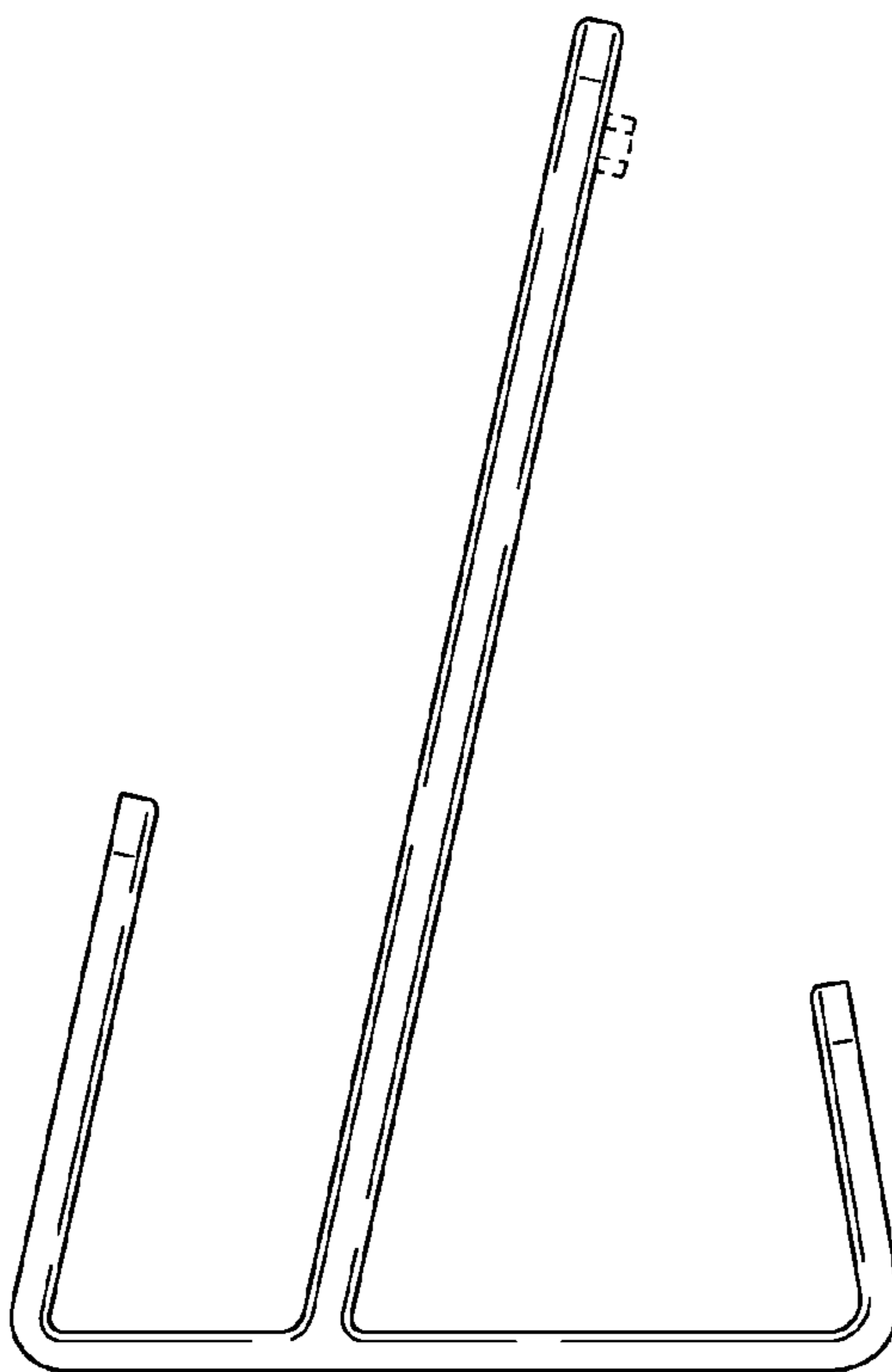


FIG. 4

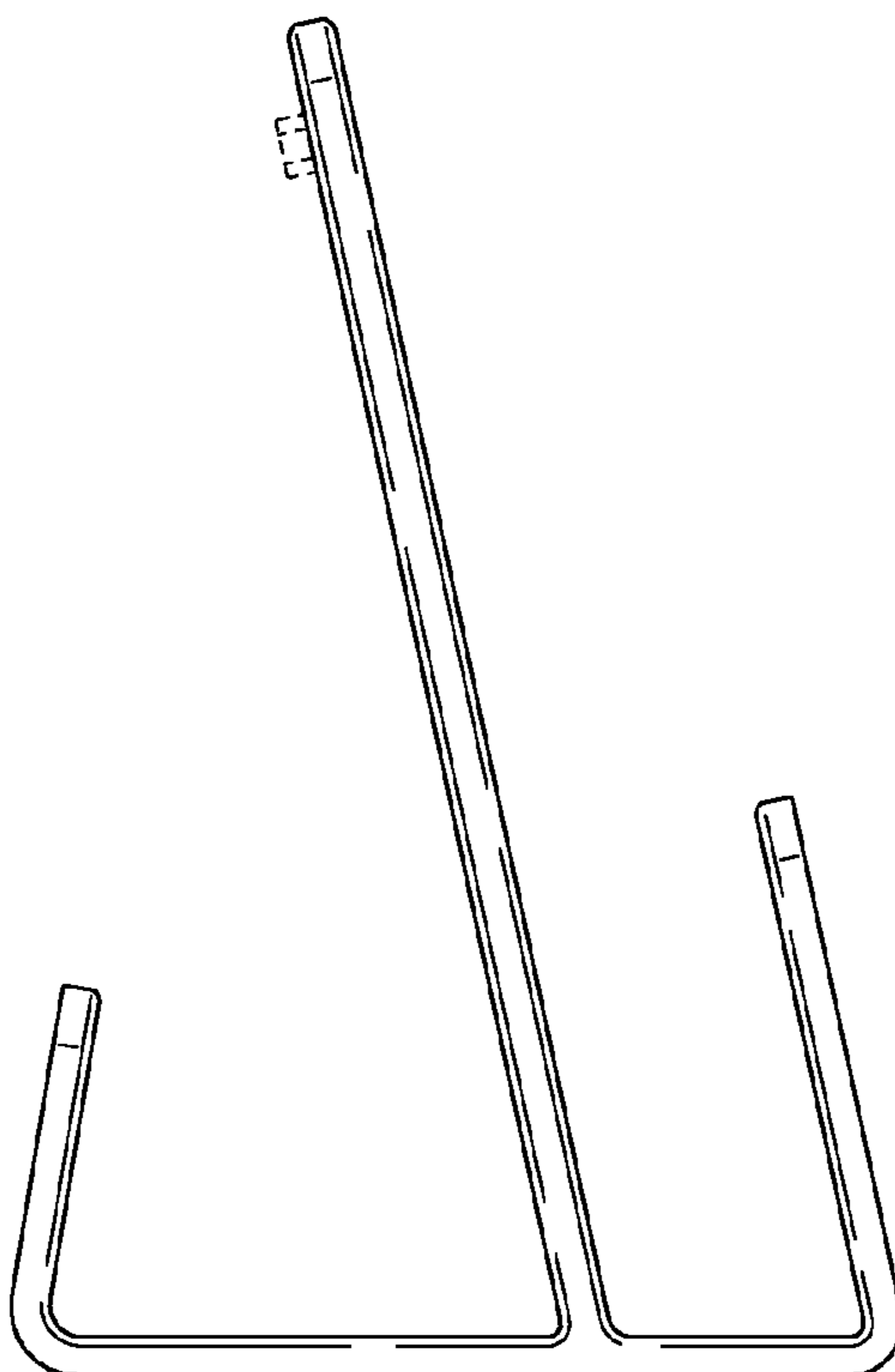


FIG. 5

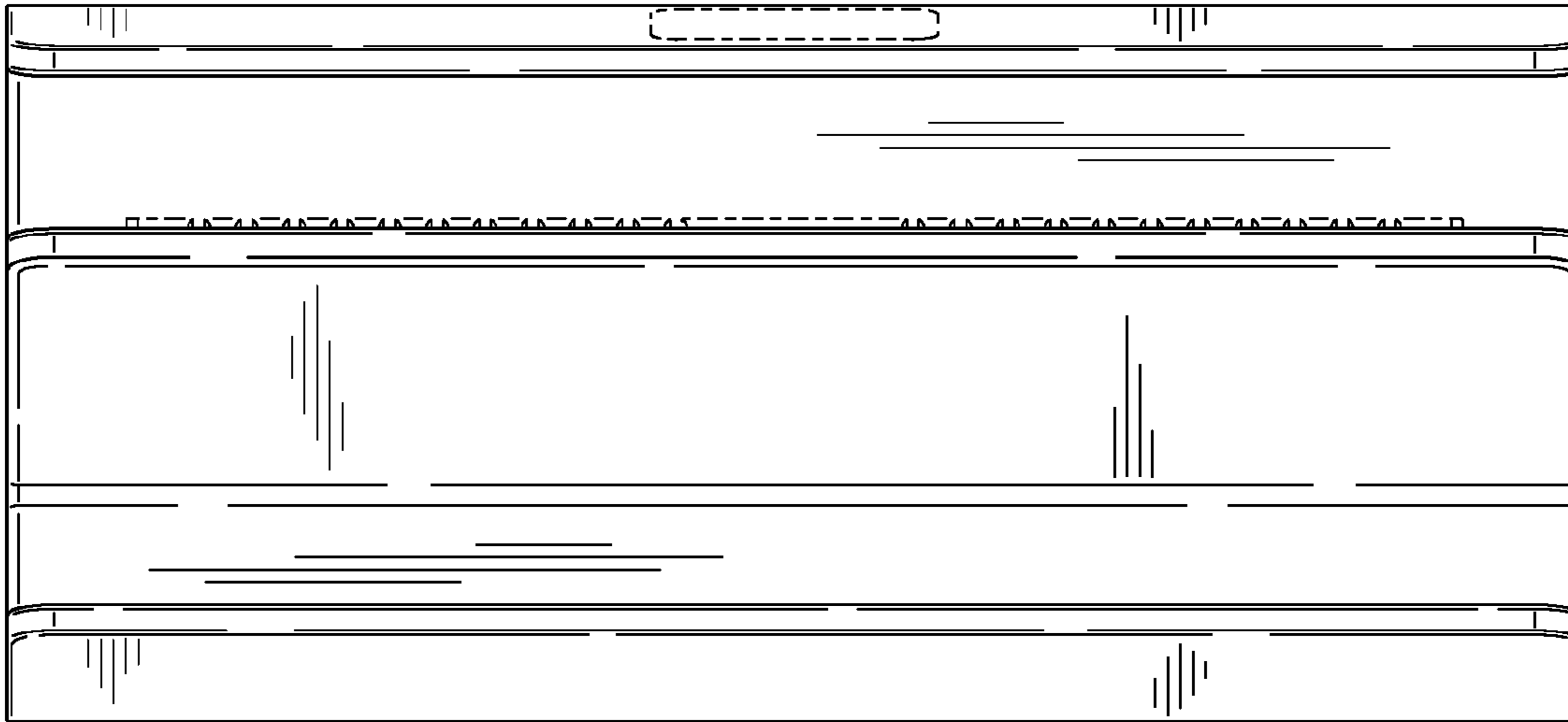


FIG. 6



FIG. 7

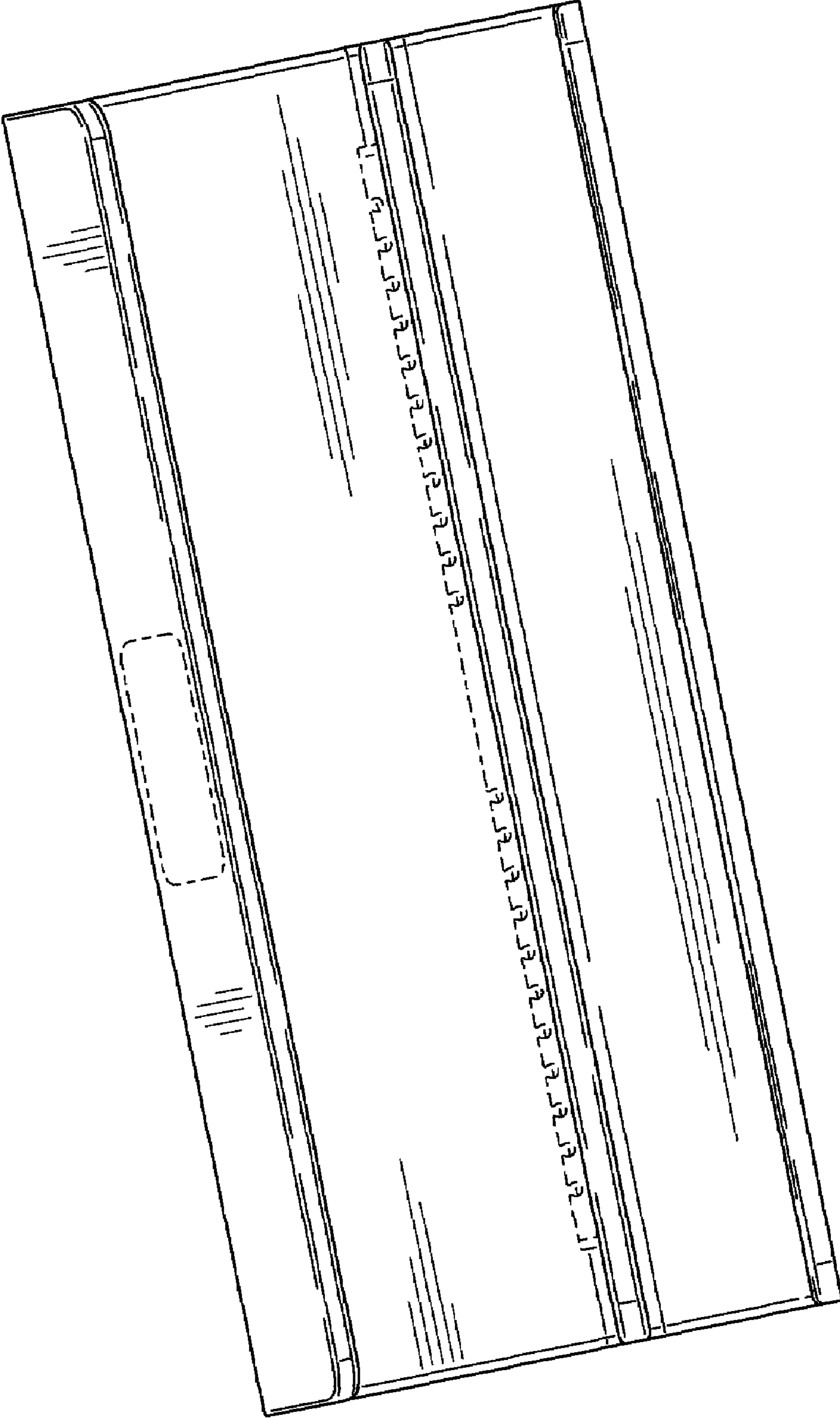


FIG. 8

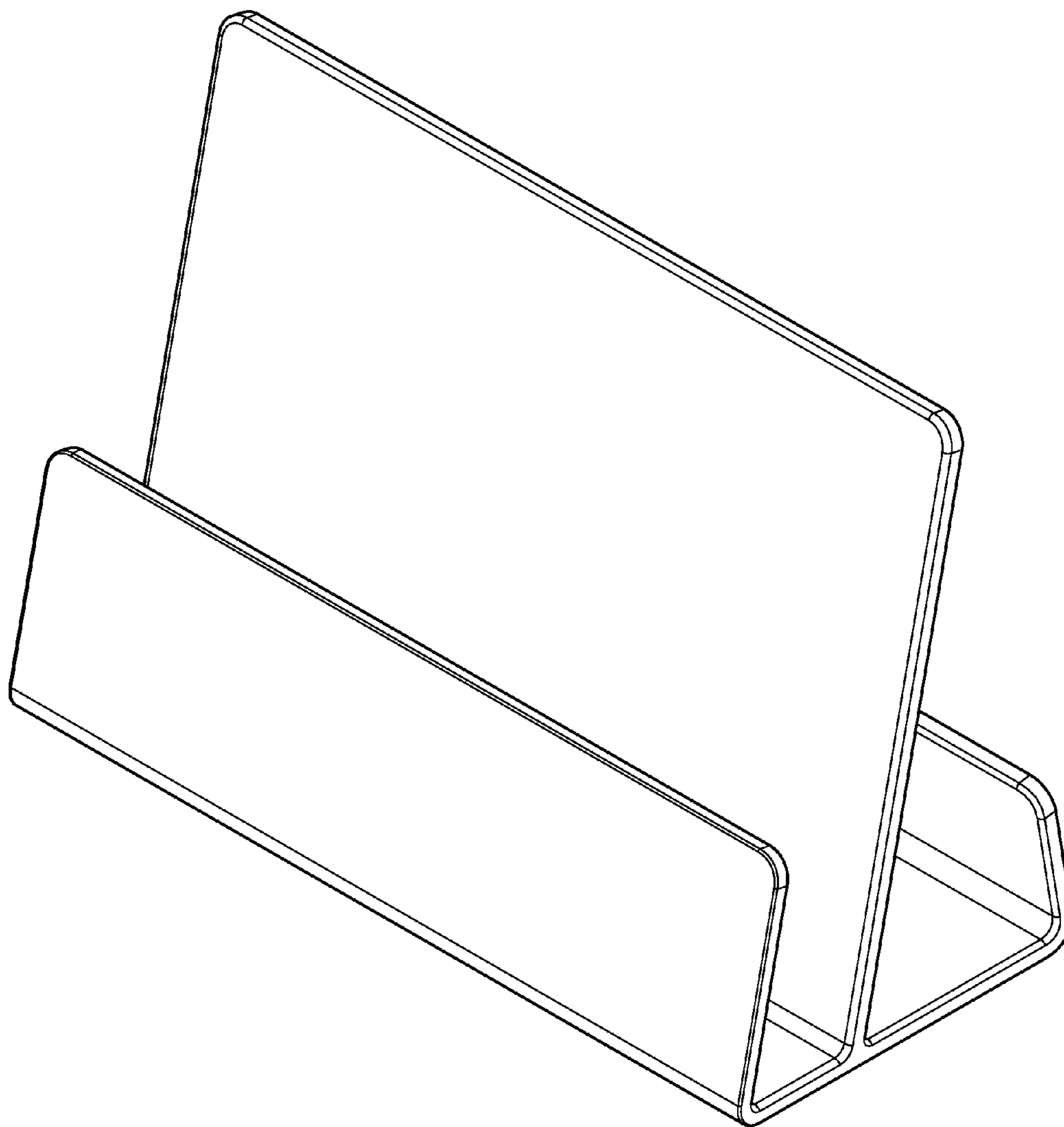


FIG. 9

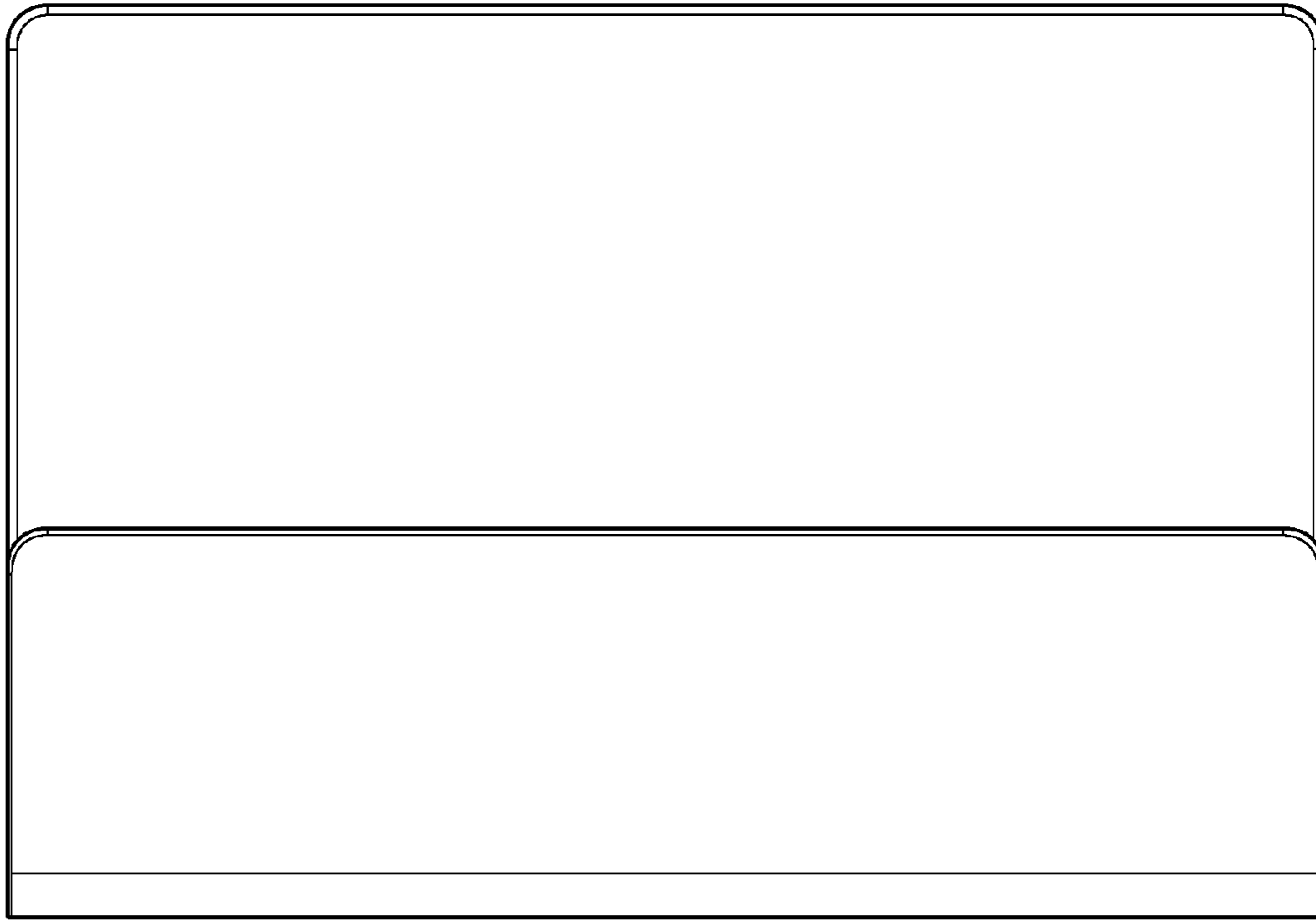


FIG. 10

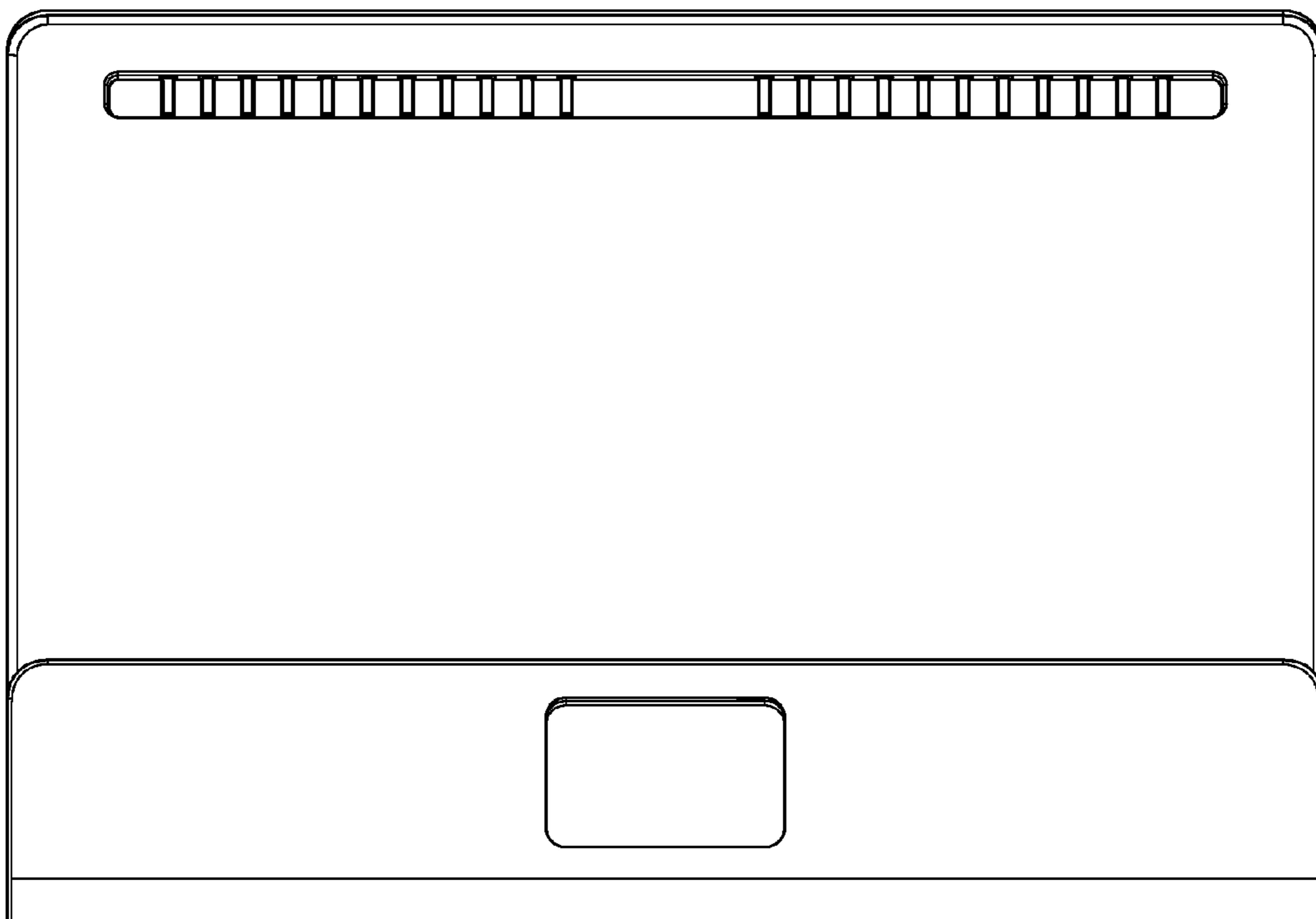


FIG. 11



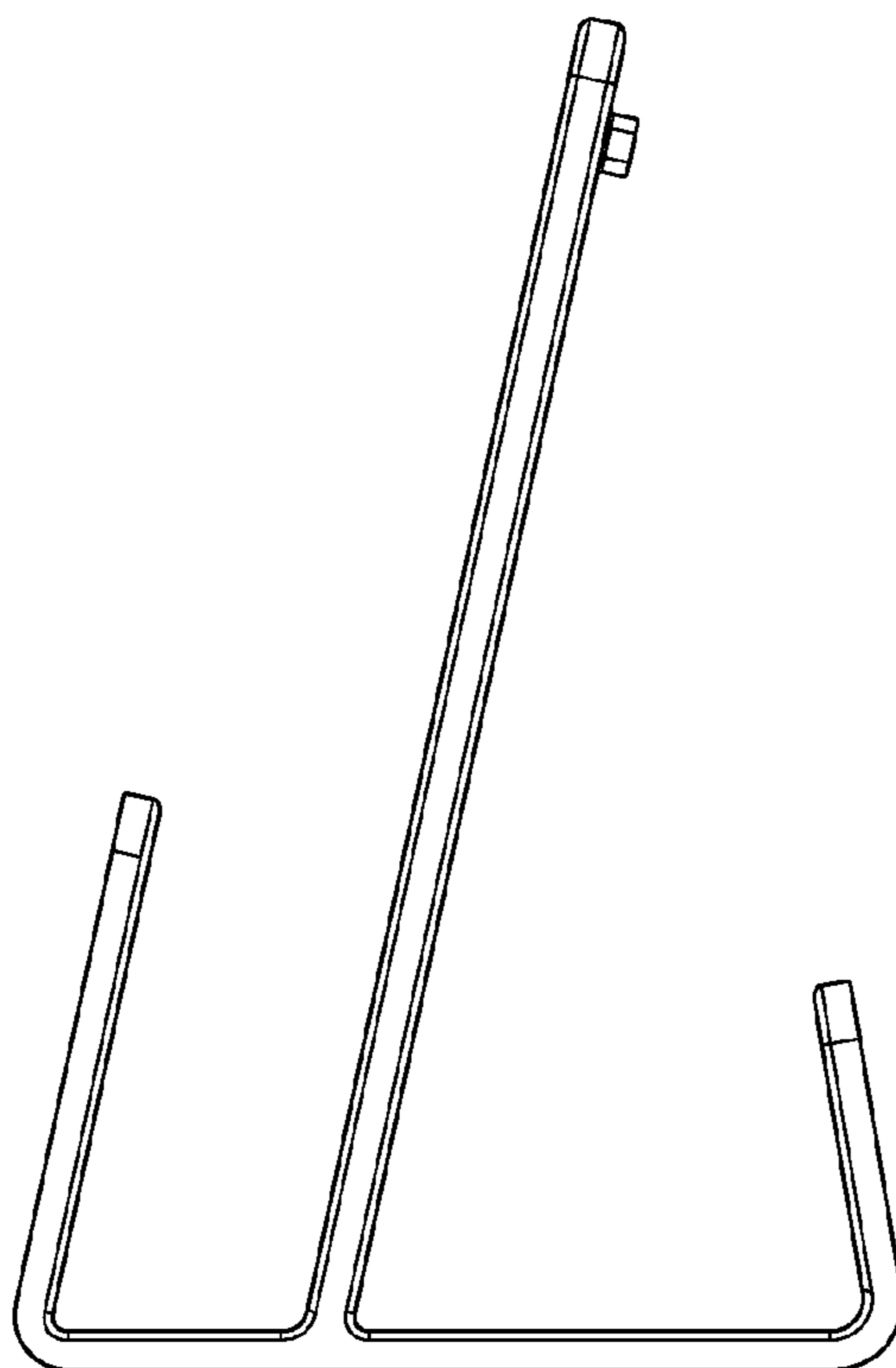


FIG. 12

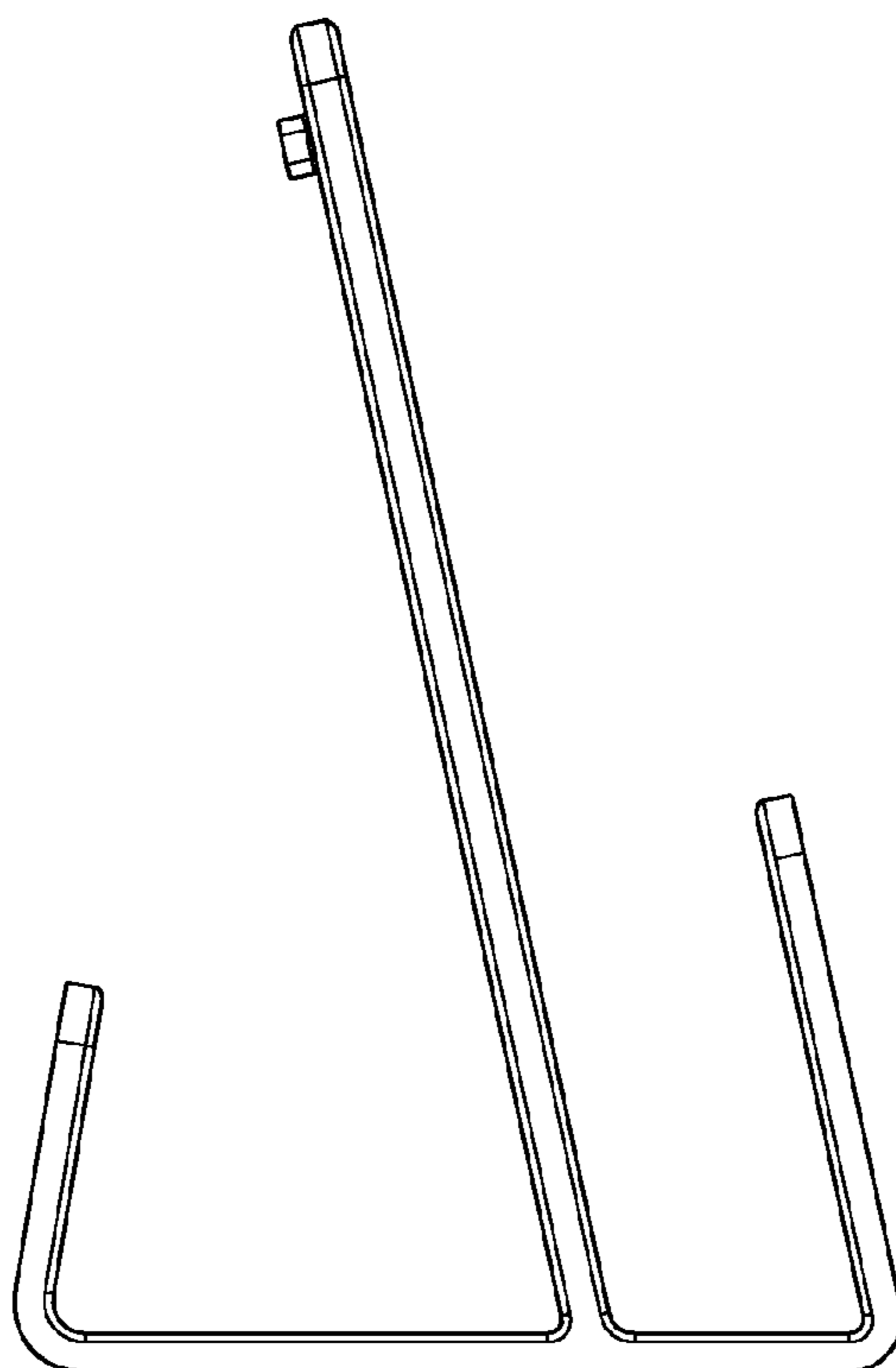


FIG. 13

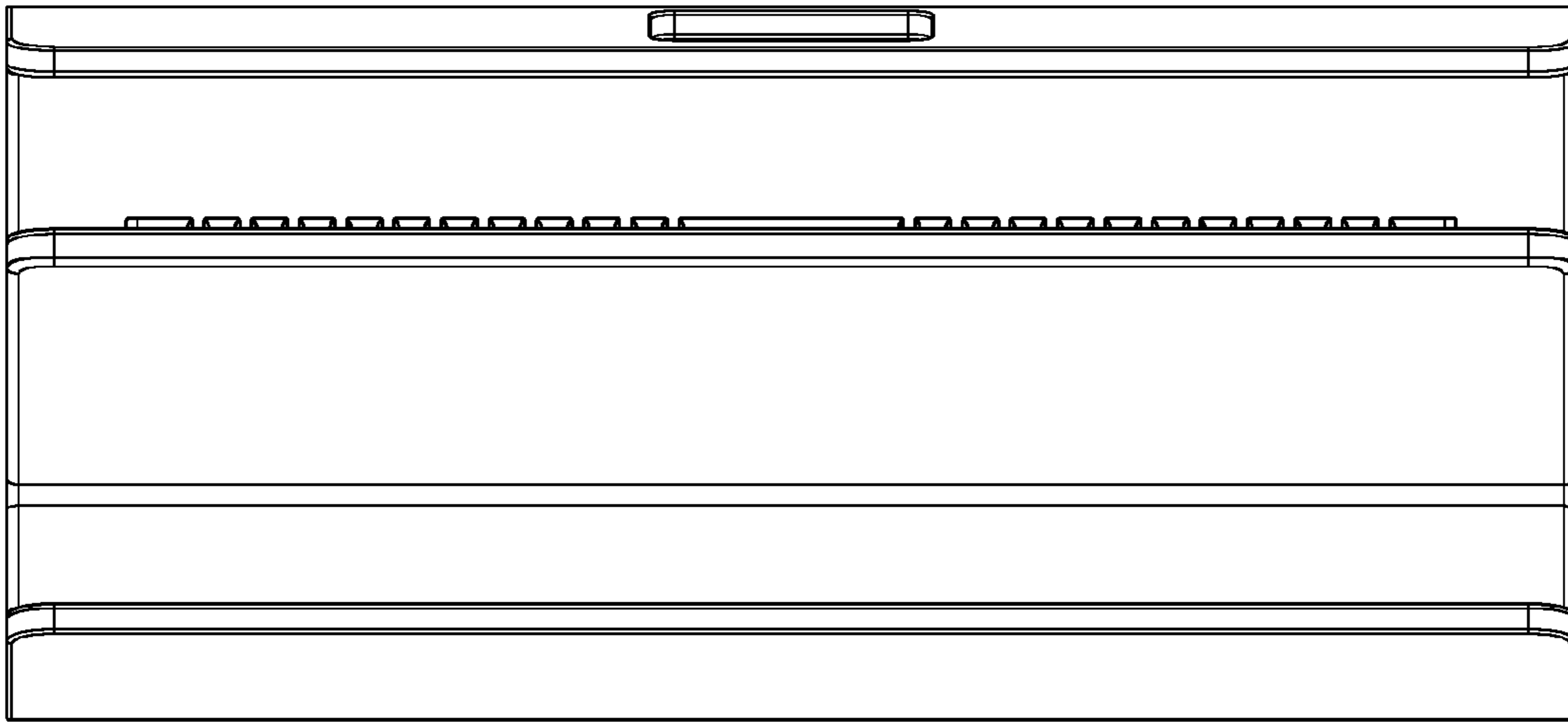


FIG. 14

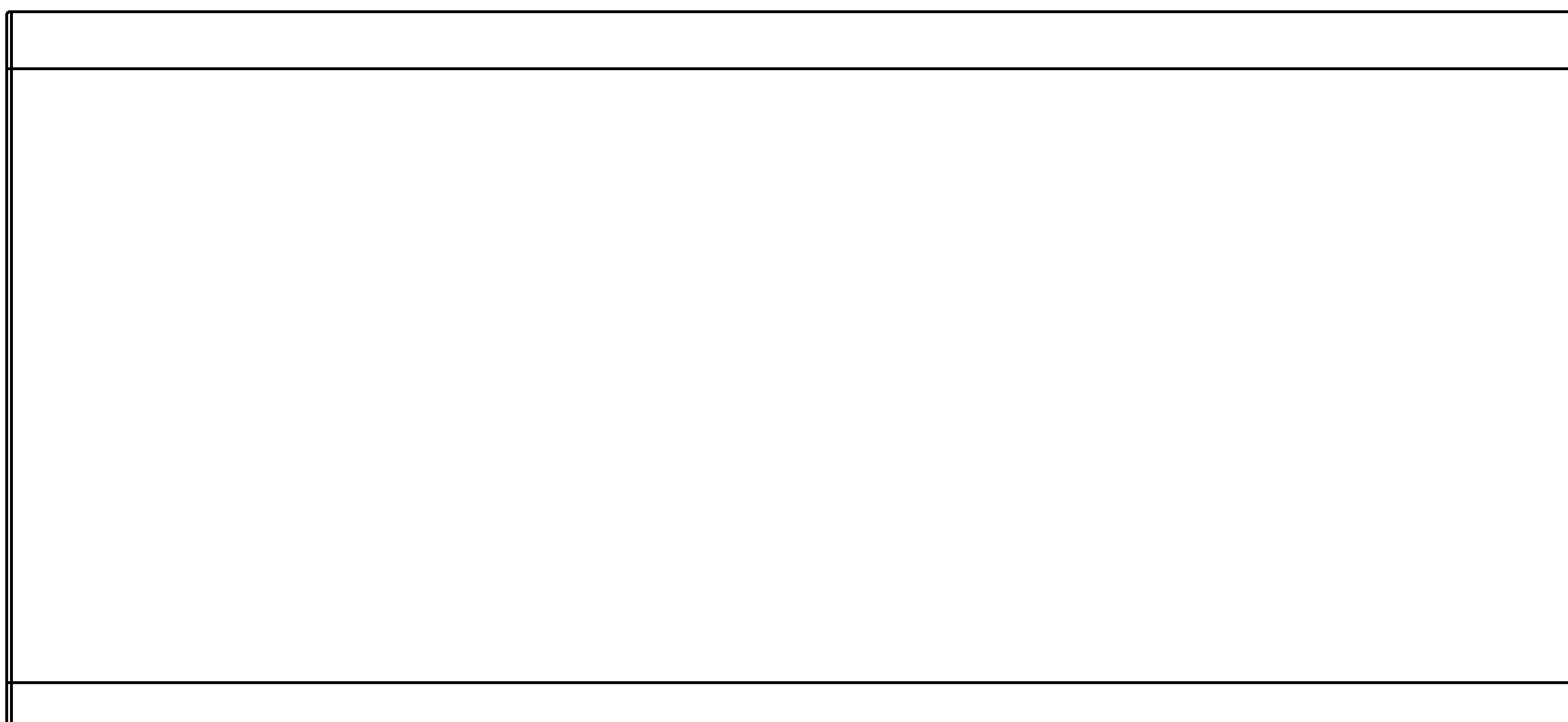


FIG. 15

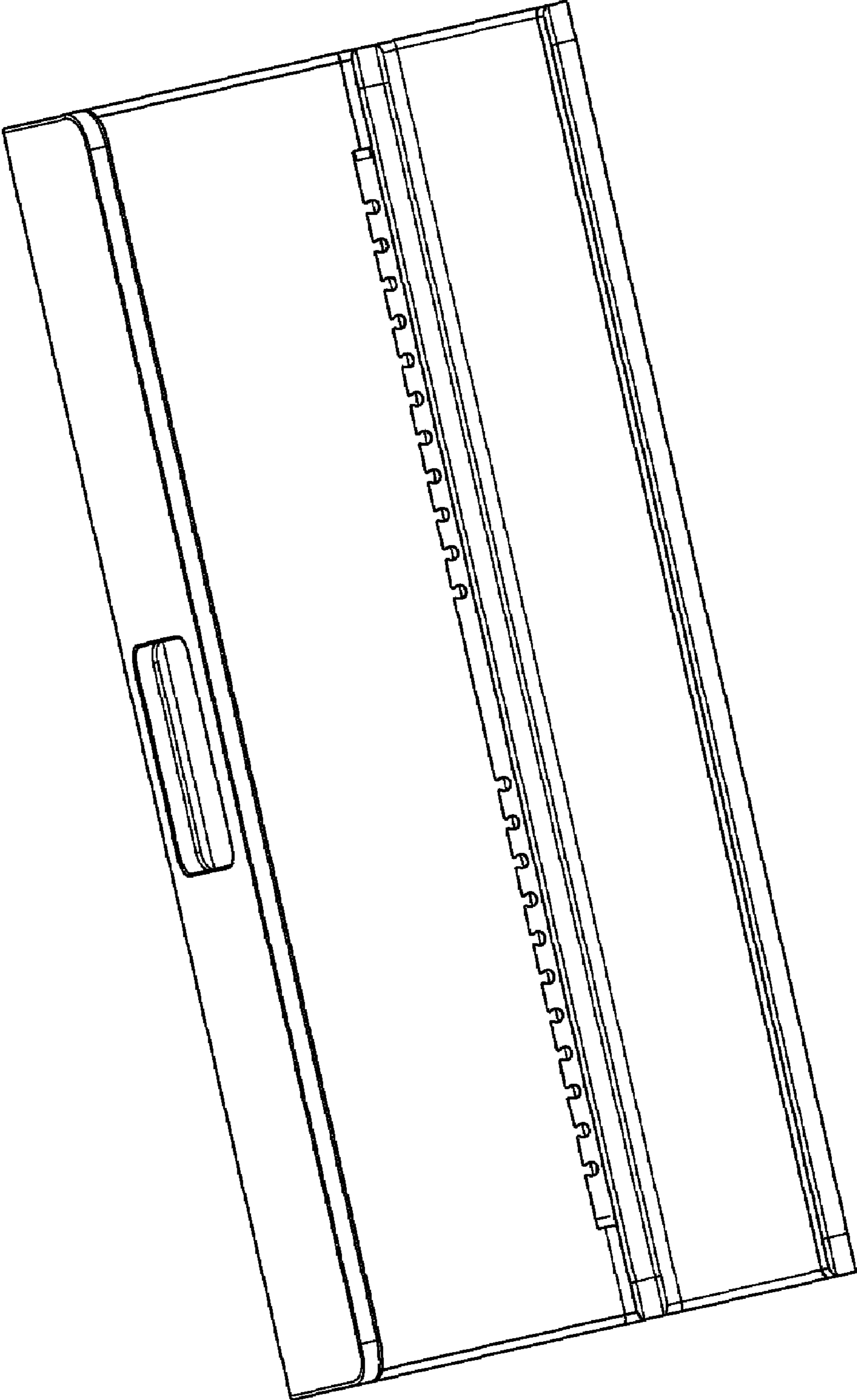


FIG. 16