



US00D590402S

(12) **United States Design Patent**  
**Lindner et al.**

(10) **Patent No.:** **US D590,402 S**  
(45) **Date of Patent:** **\*\* Apr. 14, 2009**

(54) **PROGRAMMABLE LOGIC CONTROLLER SYSTEM MODULE**

D574,001 S \* 7/2008 Zhou et al. .... D14/444

\* cited by examiner

(75) Inventors: **Norbert Lindner**, Amberg (DE);  
**Charles I. Yalowitz**, Johnson City, TN (US); **Ned Cox**, Gray, TN (US); **Gunter Ott**, Erlangen (DE); **Jan Andersson**, Erlangen (DE)

*Primary Examiner*—Cathron C Brooks  
*Assistant Examiner*—Deanna Fluegeman

(73) Assignee: **Siemens Energy and Automation, Inc.**, Alpharetta, GA (US)

(57) **CLAIM**

The ornamental design for a programmable logic controller system module, as shown and described.

(\*\*) Term: **14 Years**

**DESCRIPTION**

(21) Appl. No.: **29/306,995**

This application is related to the following co-pending applications:

(22) Filed: **Apr. 21, 2008**

U.S. Ser. No. 29/292,018, filed Sep. 25, 2007 and titled “Programmable Logic Controller System Module”;

(51) **LOC (9) Cl.** ..... **14-02**

U.S. Ser. No. 29/292,016, filed Sep. 25, 2007 and titled “Programmable Logic Controller System Module”;

(52) **U.S. Cl.** ..... **D14/439**; D14/349

U.S. Ser. No. 29/292,015, filed Sep. 25, 2007 and titled “Programmable Logic Controller System Module”;

(58) **Field of Classification Search** ..... D14/300–303, D14/308, 314, 348, 349, 351–355, 363–370, D14/439–447; D13/133, 154, 158, 173, D13/177, 184, 199; 312/223.2; 361/680–686, 361/690–696; 369/34.01, 36.01

U.S. Ser. No. 29/292,017, filed Sep. 25, 2007 and titled “Programmable Logic Controller System Module”; and

See application file for complete search history.

U.S. Ser. No. 29/292,019, filed Sep. 25, 2007 and titled “Programmable Logic Controller System Module”.

(56) **References Cited**

FIG. 1 is a top, front, left side perspective view of a first embodiment of a programmable logic controller system module showing our new design;

**U.S. PATENT DOCUMENTS**

D417,864	S	*	12/1999	Holtzman et al.	.....	D14/351
D427,162	S	*	6/2000	Nagase	.....	D14/388
D431,569	S	*	10/2000	Jean et al.	.....	D14/441
D449,045	S	*	10/2001	Daly et al.	.....	D14/349
D459,356	S	*	6/2002	Chien et al.	.....	D14/441
6,486,725	B2	*	11/2002	Boggs et al.	.....	327/514
D485,268	S	*	1/2004	Andre et al.	.....	D14/349
D499,406	S	*	12/2004	Su et al.	.....	D14/441
D500,762	S	*	1/2005	Chen et al.	.....	D14/444
7,086,036	B2	*	8/2006	Boggs et al.	.....	717/128
D528,113	S	*	9/2006	Sun et al.	.....	D14/349
D539,801	S	*	4/2007	Wang et al.	.....	D14/444

FIG. 2 is a front view thereof, the back view being a mirror image;

FIG. 3 is a left side view thereof, the right side view being a mirror image; and,

FIG. 4 is a top view thereof.

The broken line portions of the programmable logic controller system module form no part of the claimed design.

**1 Claim, 4 Drawing Sheets**

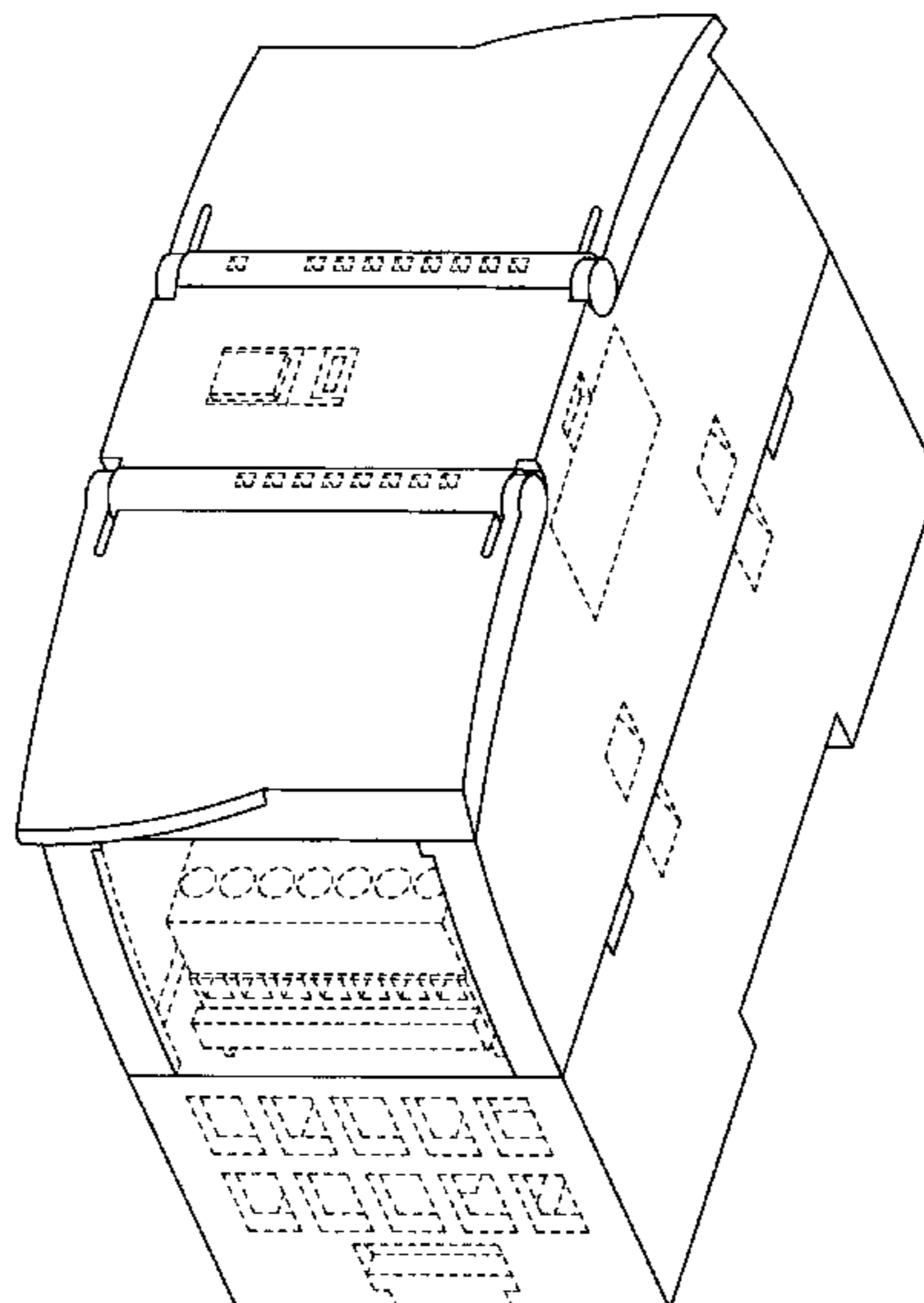


FIG. 1

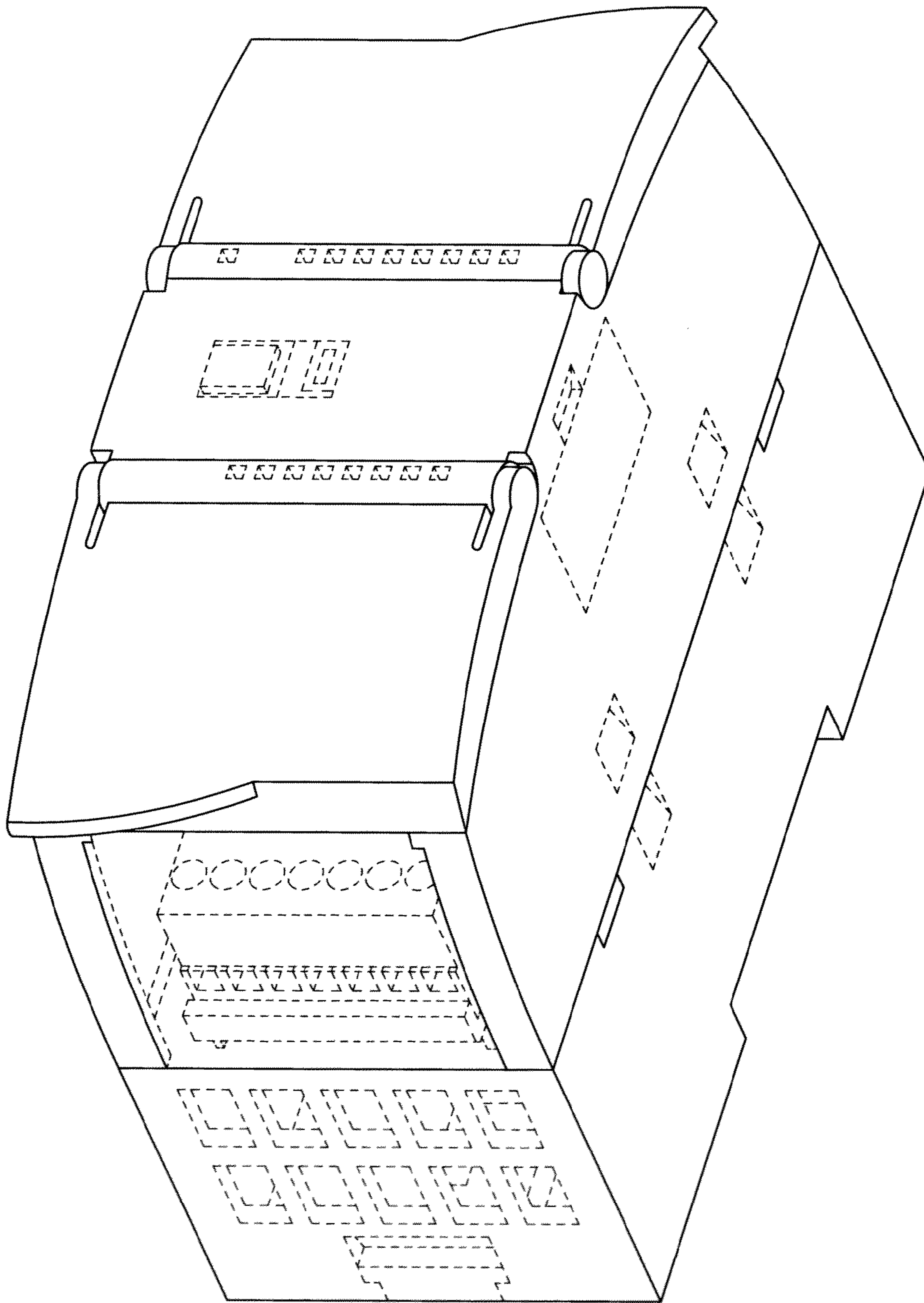
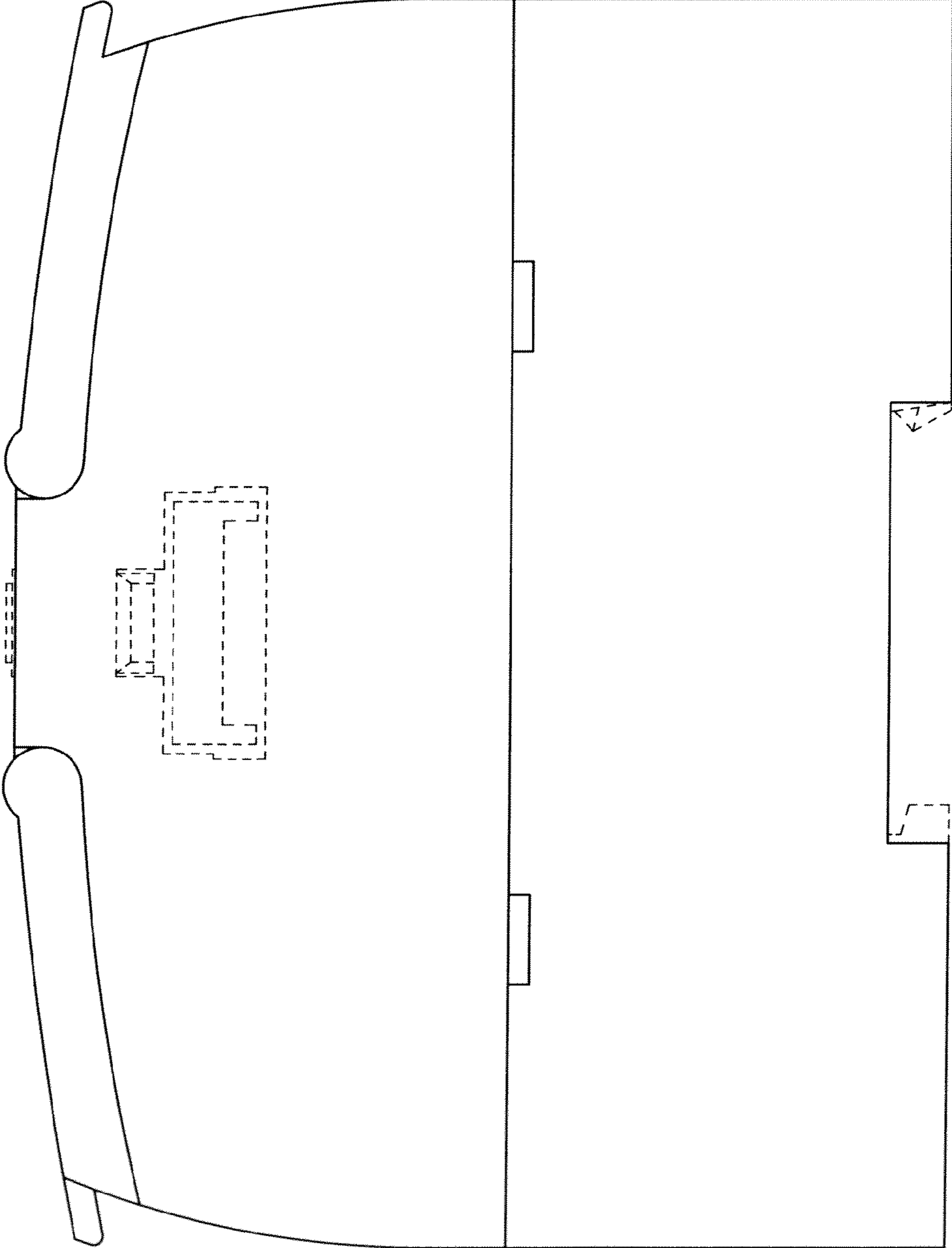


FIG. 2



*FIG. 3*

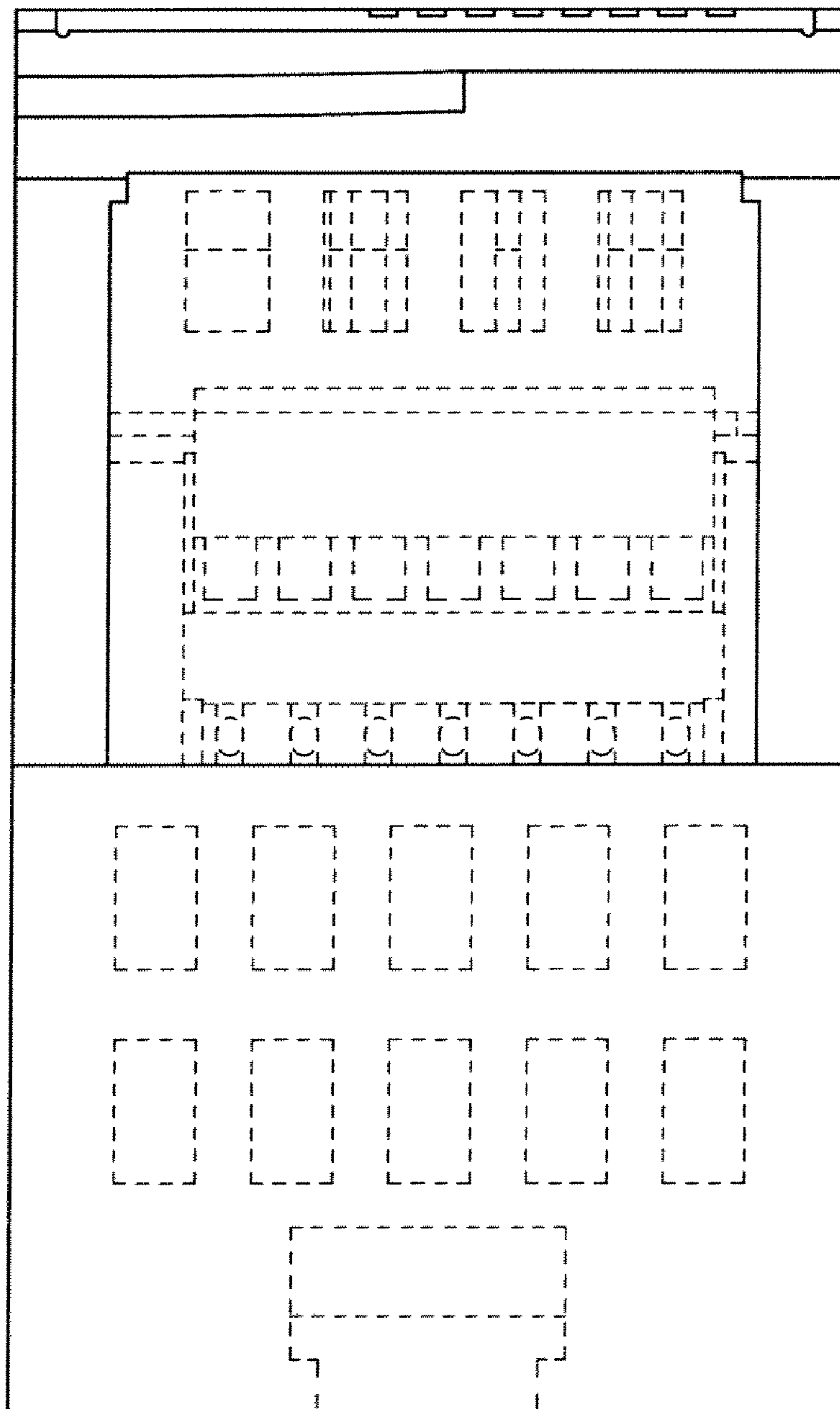


FIG. 4

