



US00D590401S

(12) **United States Design Patent**
Mandel

(10) **Patent No.:** **US D590,401 S**

(45) **Date of Patent:** **** Apr. 14, 2009**

(54) **MONITOR MIRROR**

(75) Inventor: **Logan Flash Mandel**, Los Angeles, CA (US)

(73) Assignee: **GMPC, LLC**, Santa Monica, CA (US)

(**) Term: **14 Years**

(21) Appl. No.: **29/284,568**

(22) Filed: **Sep. 11, 2007**

(51) **LOC (9) Cl.** **14-02**

(52) **U.S. Cl.** **D14/439; D14/448**

(58) **Field of Classification Search** D14/356-370, D14/383-387, 402, 407-410, 432-435, 439, D14/448, 137, 138, 155, 188, 191, 299, 902; D13/107, 108, 123, 133, 154, 158, 162, 168, D13/184, 199; D3/201, 203.5, 203.6, 205, D3/218, 273-275, 302; D9/715, 414, 424, D9/426, 430-432, 499; 361/600, 622, 627-636, 361/724, 725, 679-687; 341/173, 176; 235/492
See application file for complete search history.

(56) **References Cited**

U.S. PATENT DOCUMENTS

D140,925 S *	4/1945	Christner	D3/203.6
D216,172 S *	11/1969	Brockway	D3/203.6
D245,818 S *	9/1977	Persson	D3/230
D258,097 S *	2/1981	Wistrand	D3/203.1
D345,655 S *	4/1994	Freebairn	D6/312
D352,504 S *	11/1994	Scheid et al.	D14/191
D355,657 S *	2/1995	Scheid et al.	D3/218
D357,008 S *	4/1995	Pohlman	D14/448
D396,851 S *	8/1998	Prusia	D14/439
D397,293 S *	8/1998	Shimizu	D9/424
5,940,229 A *	8/1999	Baumgarten	359/839
D417,216 S *	11/1999	Wolf et al.	D14/191
6,244,718 B1 *	6/2001	Whitcomb	359/872
D445,798 S *	7/2001	Moore	D14/439
D449,165 S *	10/2001	van der Hulst	D3/294

D461,190 S *	8/2002	Bell	D14/448
D462,691 S *	9/2002	Attwood et al.	D14/439
6,543,168 B1 *	4/2003	Moore	40/747
D489,375 S *	5/2004	Stapleton	D14/439
6,768,634 B2 *	7/2004	Kim	361/679
D500,341 S *	12/2004	Bhavnani	D14/439
D518,451 S *	4/2006	Nussberger et al.	D13/184
D543,453 S *	5/2007	Fu et al.	D9/432
D547,175 S *	7/2007	Berg	D9/423
D564,428 S *	3/2008	Tabrizi et al.	D12/187
D567,512 S *	4/2008	Molenaar et al.	D6/300

* cited by examiner

Primary Examiner—Cathron C Brooks

Assistant Examiner—Deanna Fluegeman

(74) *Attorney, Agent, or Firm*—Christie, Parker & Hale, LLP

(57) **CLAIM**

The ornamental design for monitor mirror, as shown and described.

DESCRIPTION

FIG. 1 is a top view of a monitor mirror showing my new design in its assembled orientation;

FIG. 2 is a bottom view thereof;

FIG. 3 is a left side view thereof;

FIG. 4 is a front view thereof;

FIG. 5 is a back view thereof;

FIG. 6 is a top front left isometric view thereof;

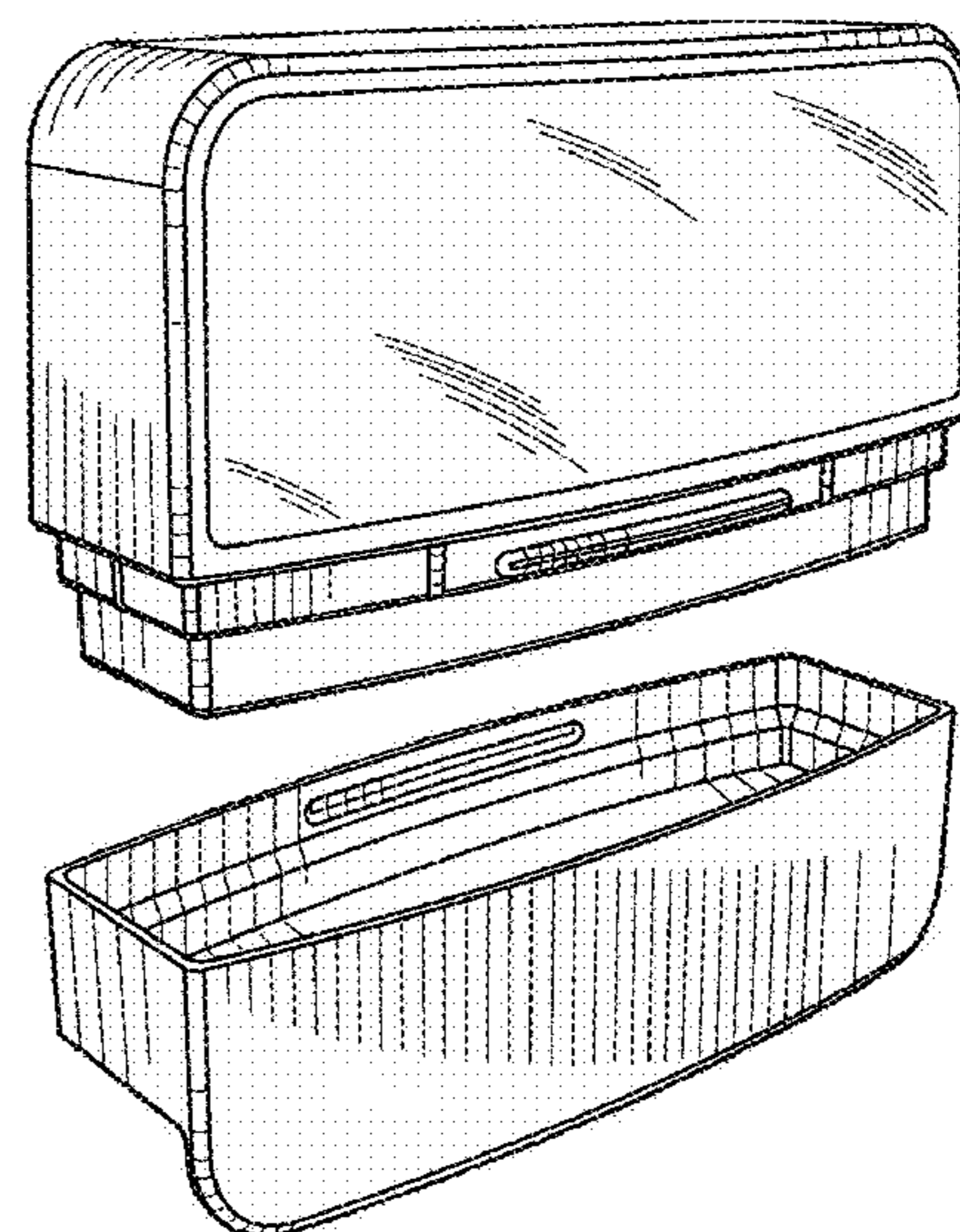
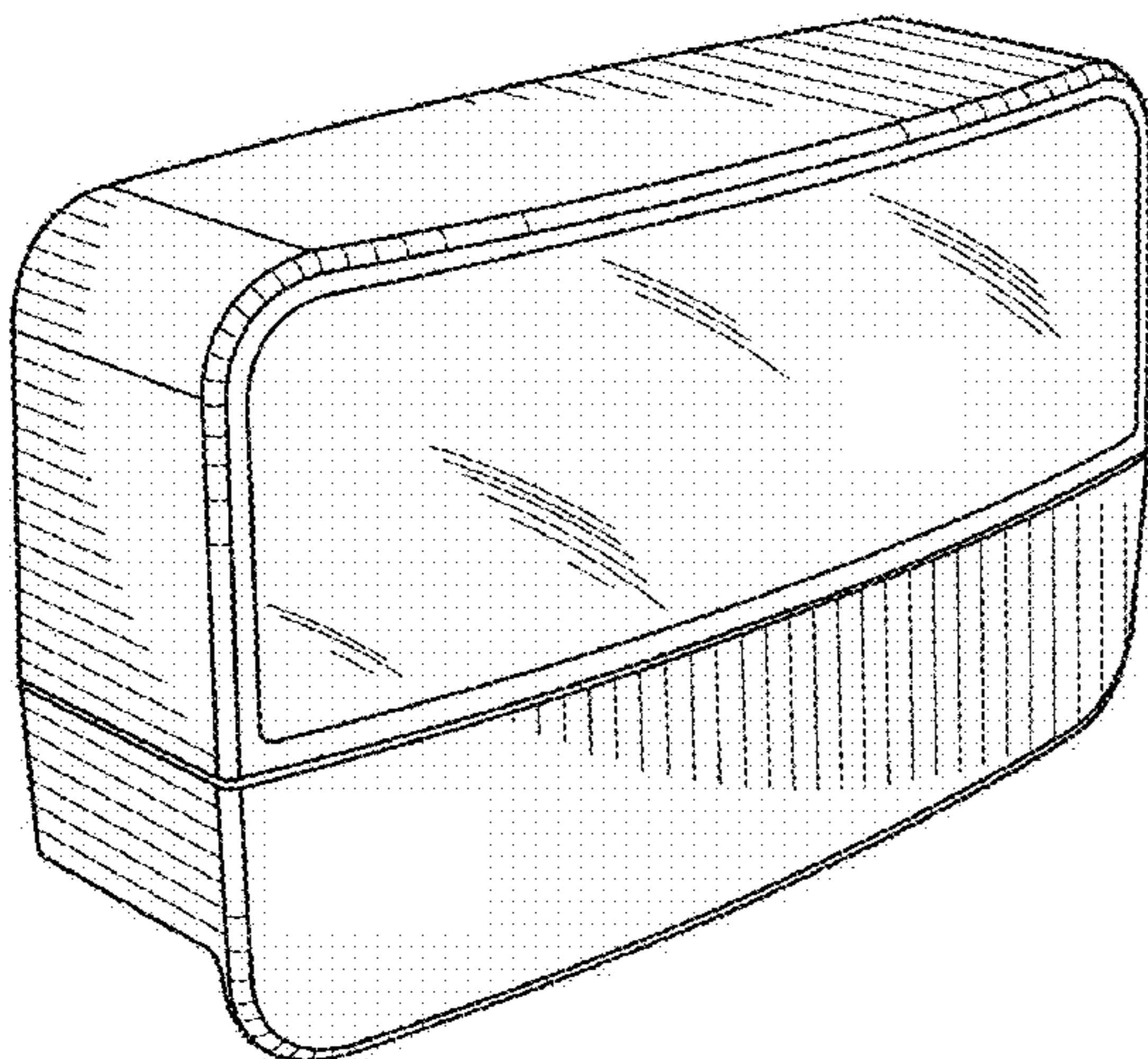
FIG. 7 is a bottom back right isometric view thereof;

FIG. 8 is a top front left isometric view of the monitor mirror of FIG. 1 in its separated orientation; and,

FIG. 9 is an exploded, bottom back right isometric view thereof.

The right side view of the monitor mirror is a mirror image of the view shown in FIG. 3.

1 Claim, 9 Drawing Sheets



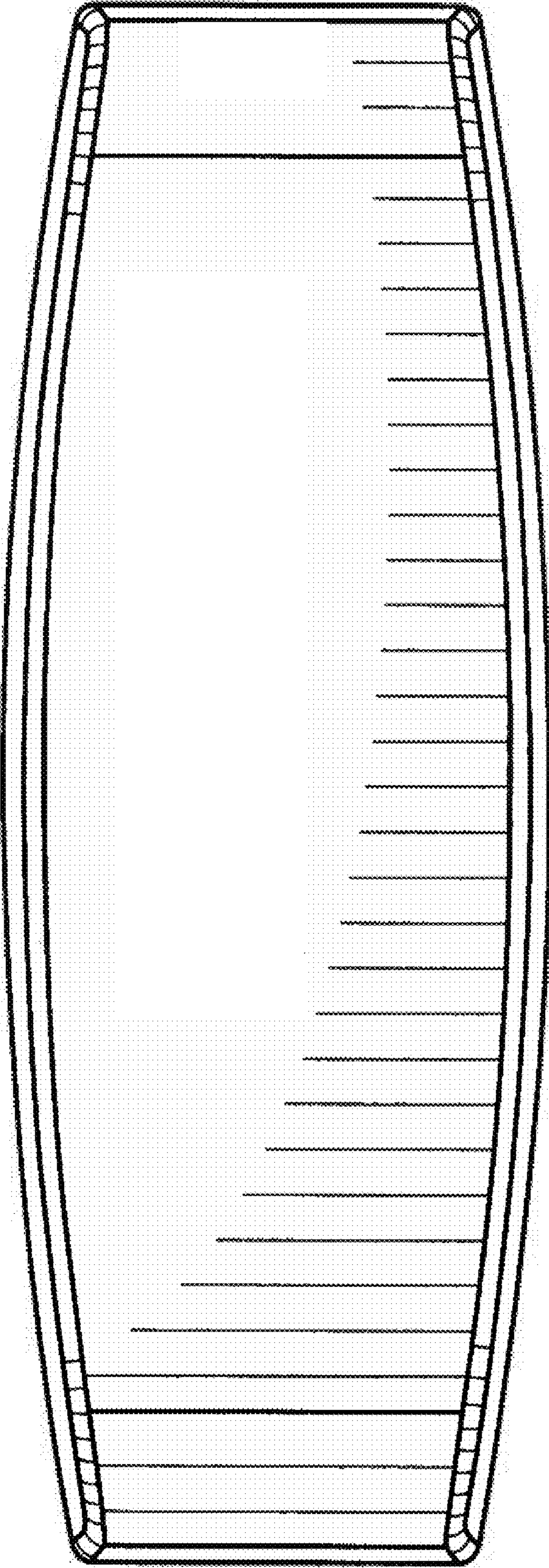


FIG-1

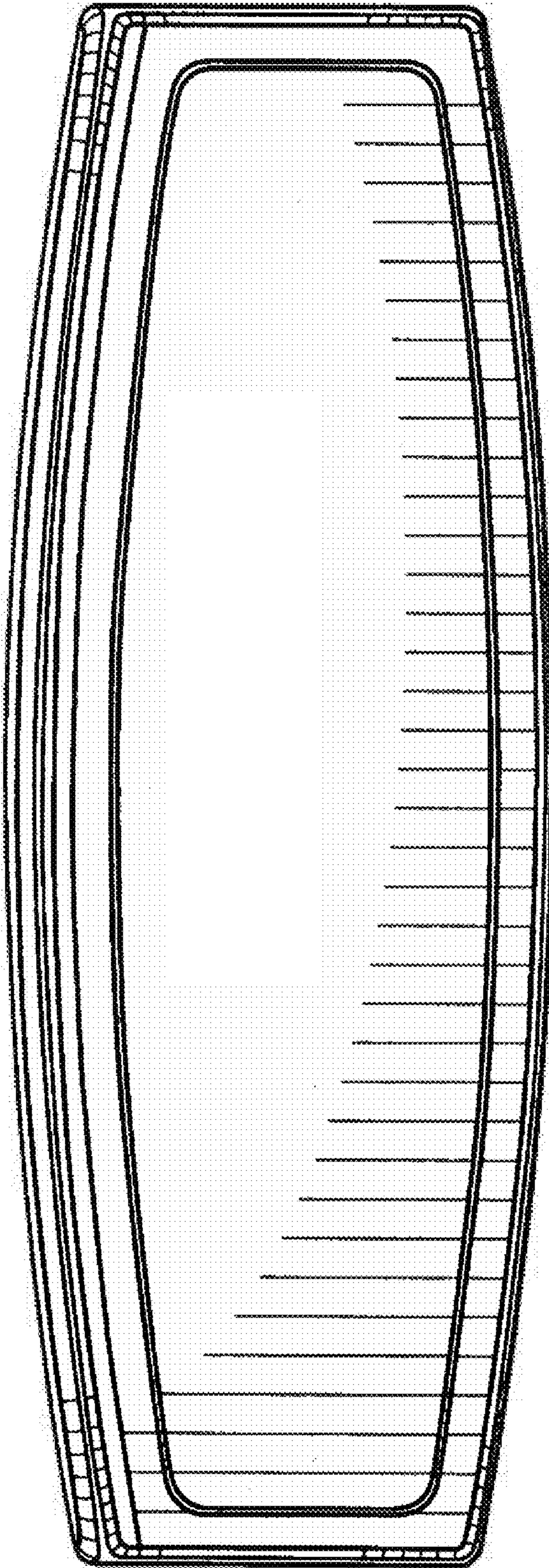


FIG-2

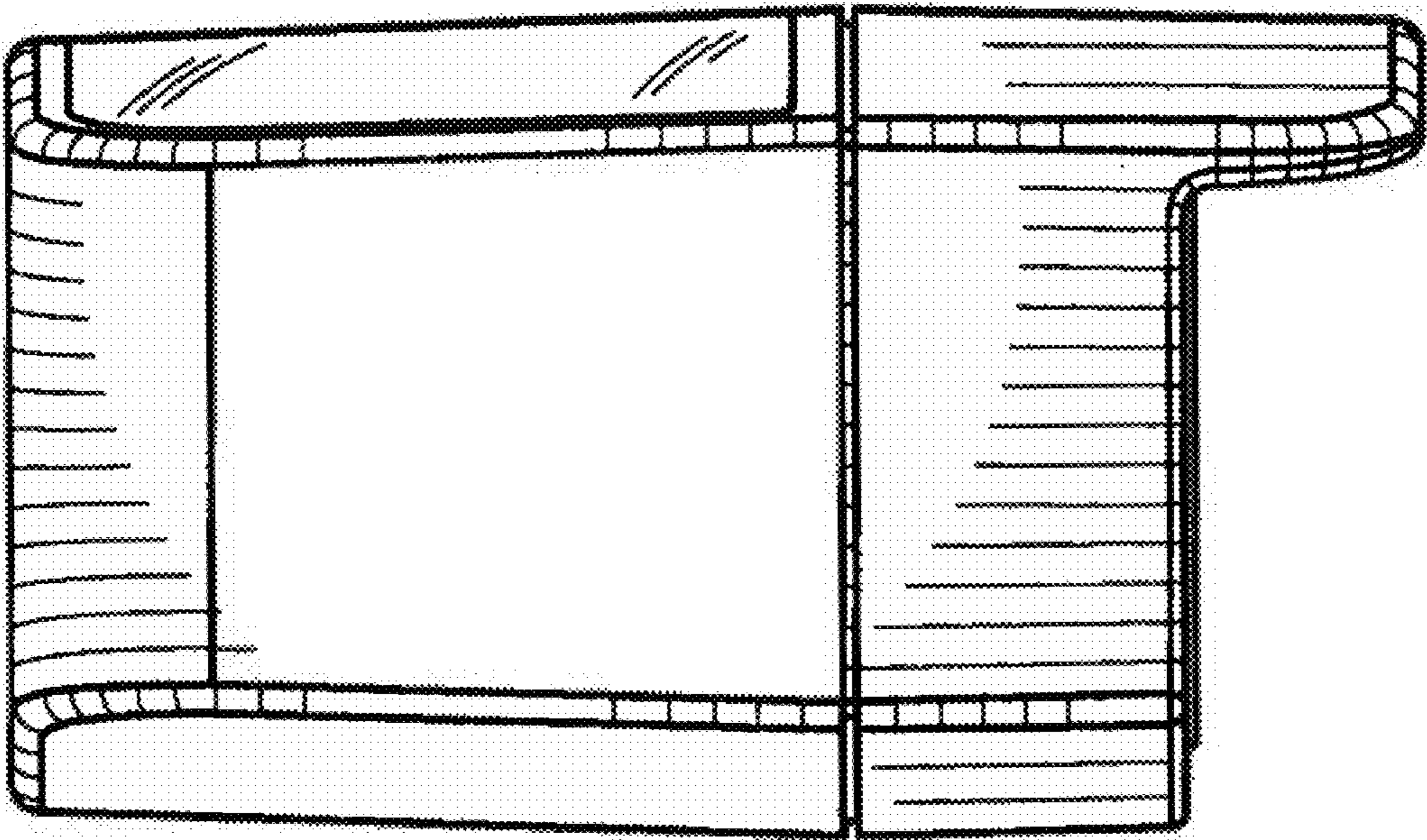


FIG-3

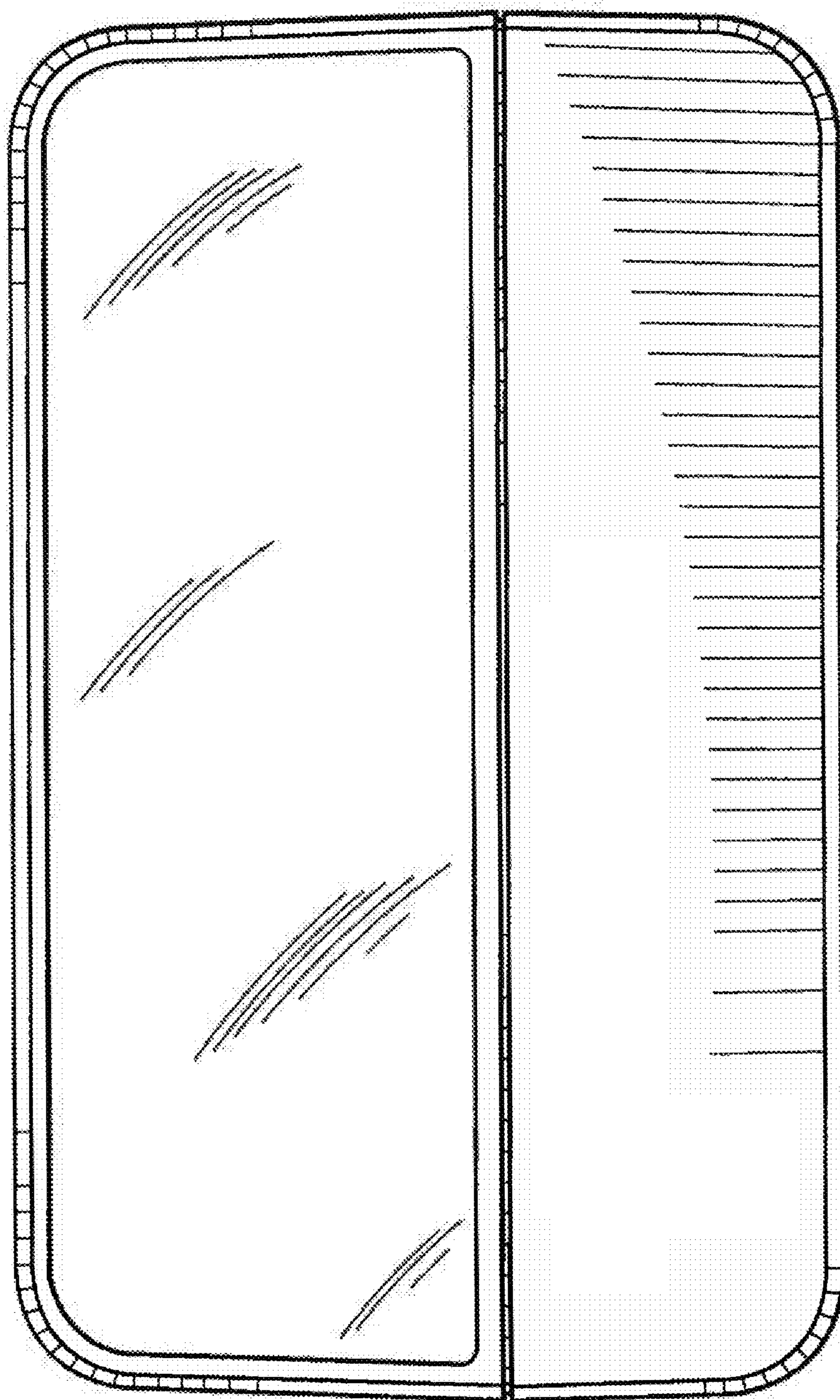


FIG-4

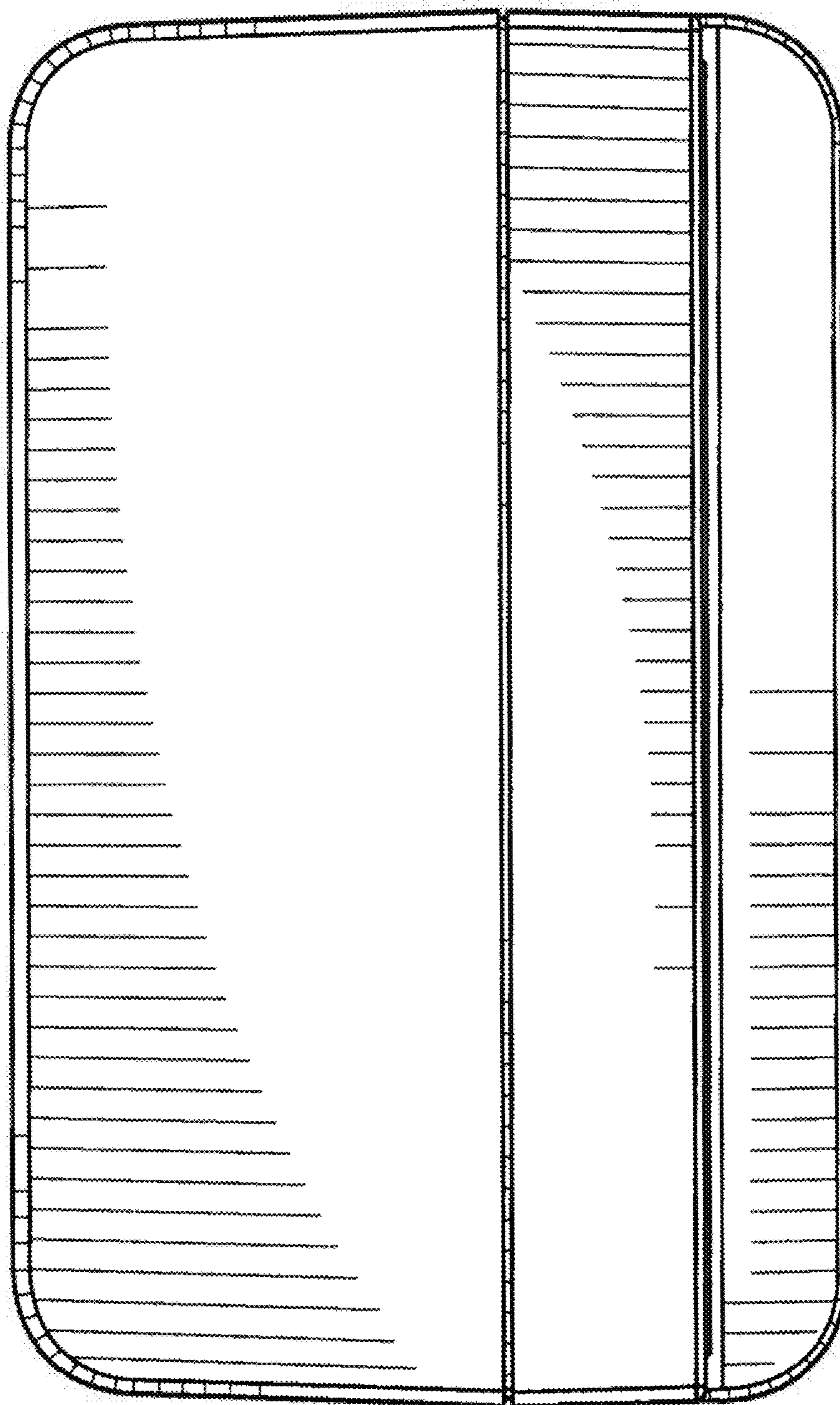


FIG-5

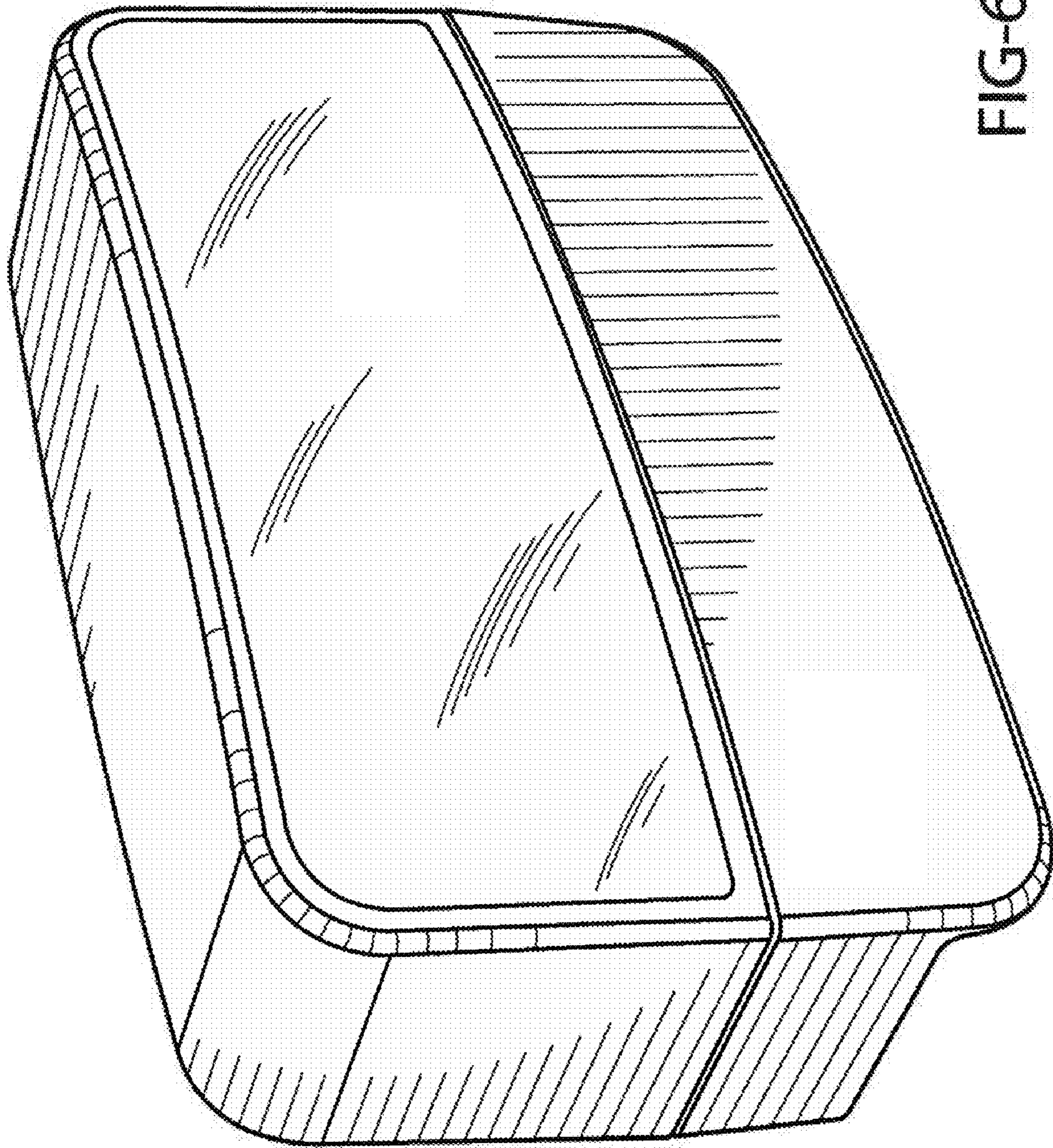


FIG-6

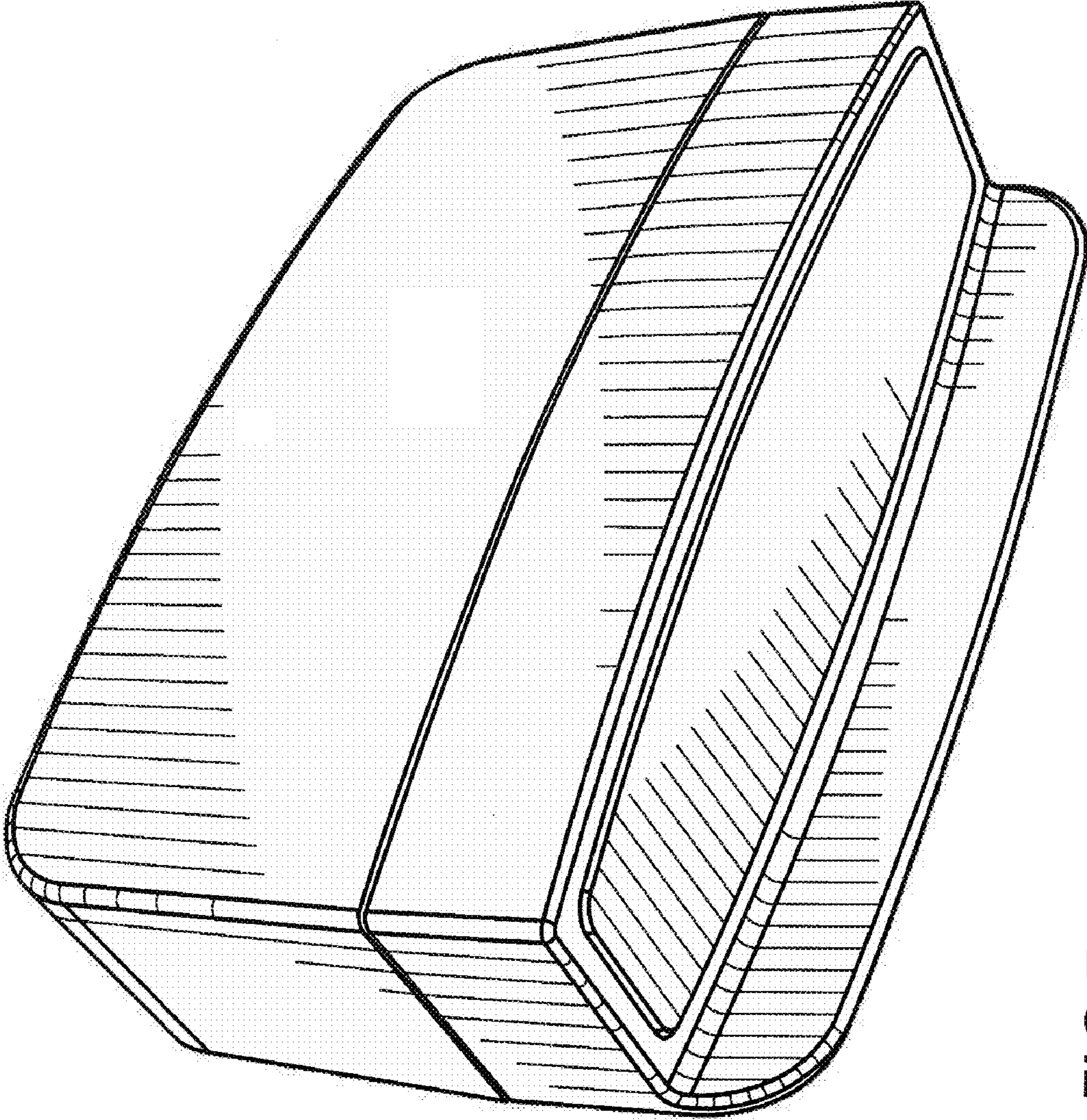


FIG-7

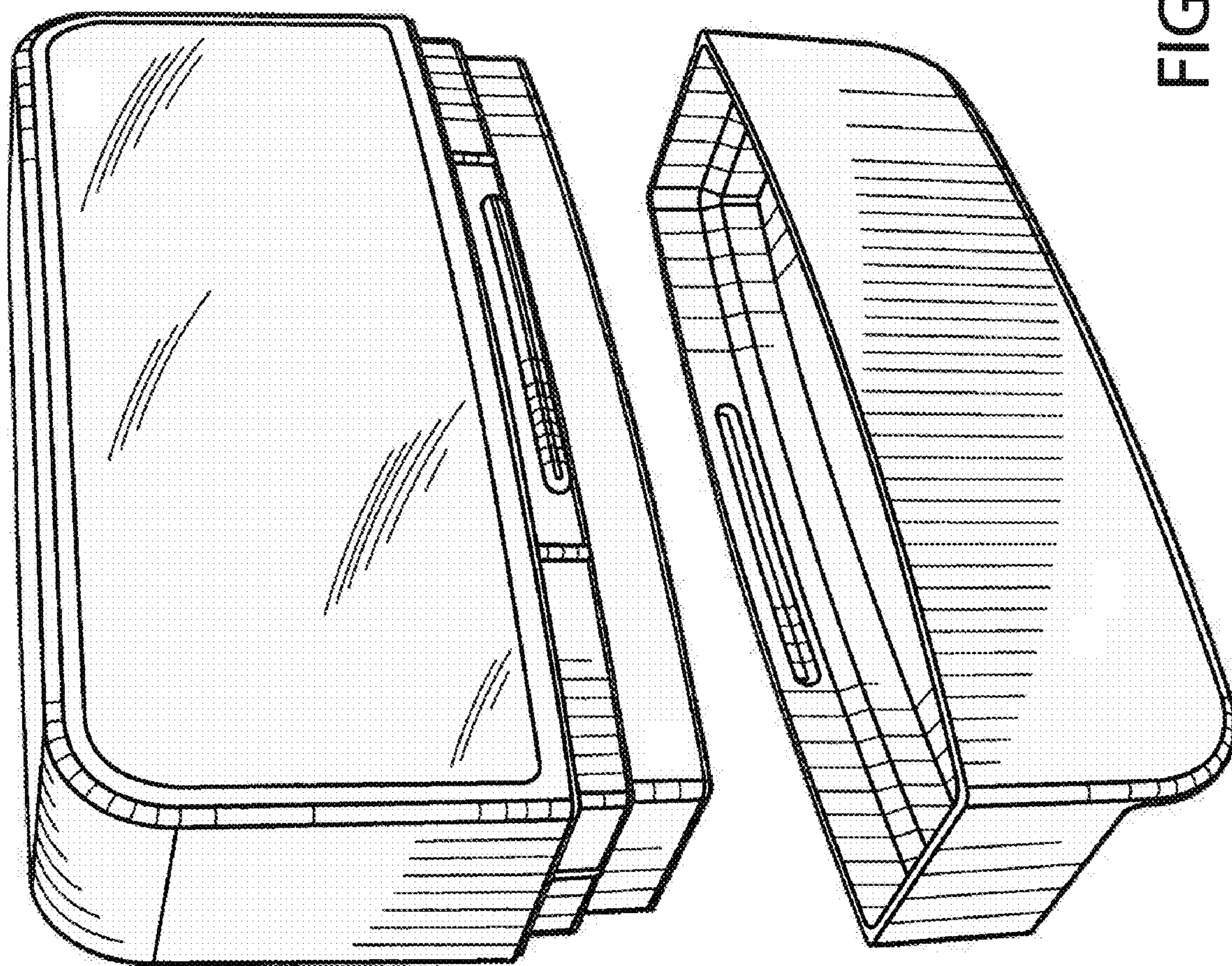


FIG-8

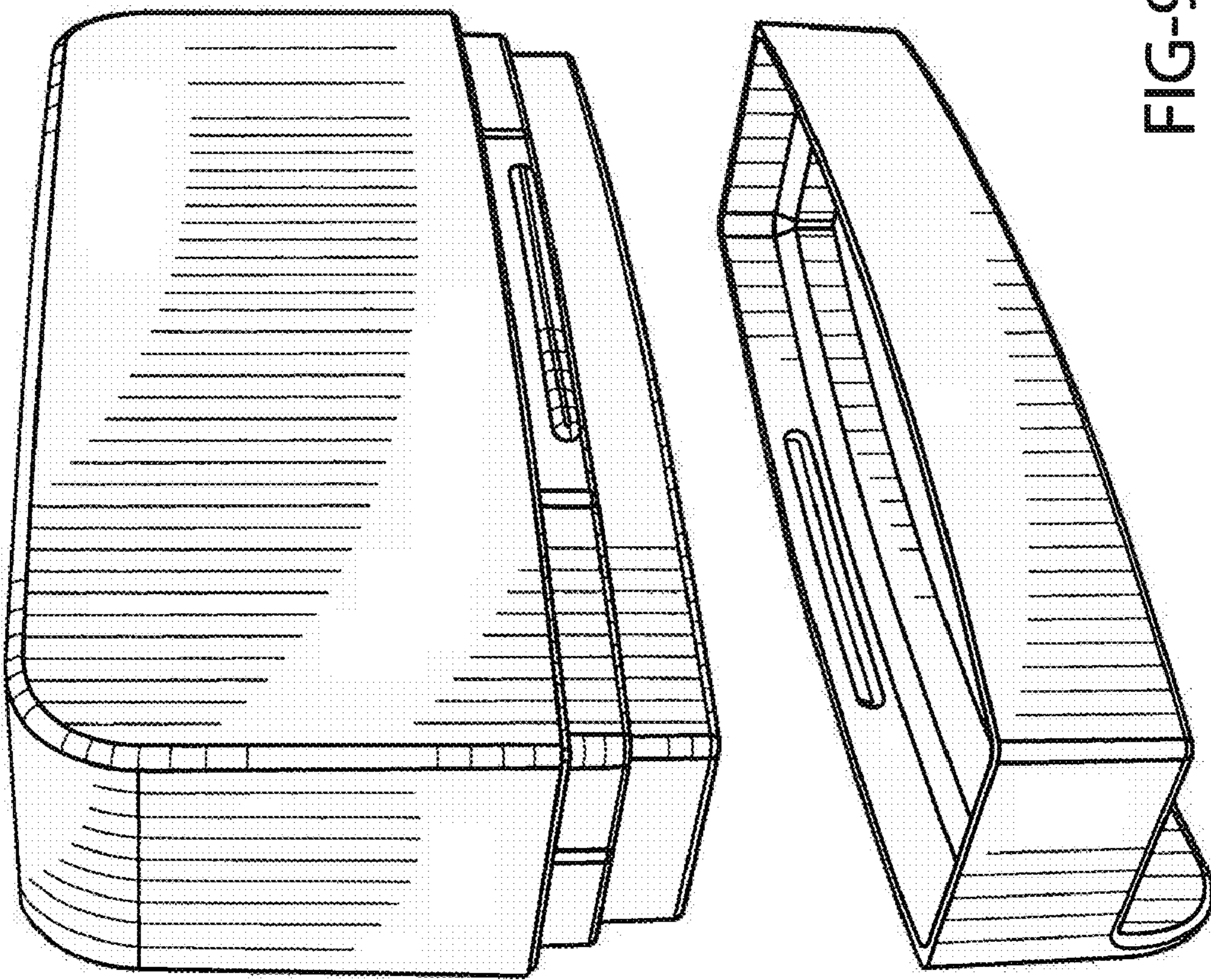


FIG-9