

US00D590396S

(12) **United States Design Patent**
Lo et al.

(10) **Patent No.:** **US D590,396 S**
(45) **Date of Patent:** **** Apr. 14, 2009**

(54) **DISPLAY**

(75) Inventors: **Shih-Po Lo**, Taipei County (TW);
Jia-Chyi Liaw, Taoyuan County (TW);
Yi-Chung Chiu, Taoyuan County (TW);
Yi-Cheng Chen, Taipei County (TW)

(73) Assignee: **Hannspree, Inc.**, Taipei (TW)

(**) Term: **14 Years**

(21) Appl. No.: **29/300,285**

(22) Filed: **Mar. 10, 2008**

(51) **LOC (9) Cl.** **14-02**

(52) **U.S. Cl.** **D14/371**

(58) **Field of Classification Search** D14/371-375,
D14/125-129, 336, 317; 341/12; 345/104,
345/156, 168, 173; 348/180, 184, 325, 739;
349/1, 2, 11, 62; 361/680-686

See application file for complete search history.

(56) **References Cited**

U.S. PATENT DOCUMENTS

D381,651 S * 7/1997 Banik et al. D14/129
5,880,928 A * 3/1999 Ma 361/683
D449,602 S * 10/2001 Yu et al. D14/336
D457,881 S * 5/2002 Arpe D14/336
D462,957 S * 9/2002 Ekelund D14/336

D468,738 S * 1/2003 Lin D14/371
D469,089 S * 1/2003 Lin D14/371
D481,722 S * 11/2003 Ma D14/371
D482,031 S * 11/2003 Lin D14/371
D495,709 S * 9/2004 Walker et al. D14/375
D498,755 S * 11/2004 Chen D14/371
D521,961 S * 5/2006 Lin D14/126
D522,473 S * 6/2006 Lin D14/126
7,072,175 B2 * 7/2006 Ho 361/681
D533,854 S * 12/2006 Rashid D14/126

* cited by examiner

Primary Examiner—Freda S Nunn

(74) *Attorney, Agent, or Firm*—Guice Patents PLLC

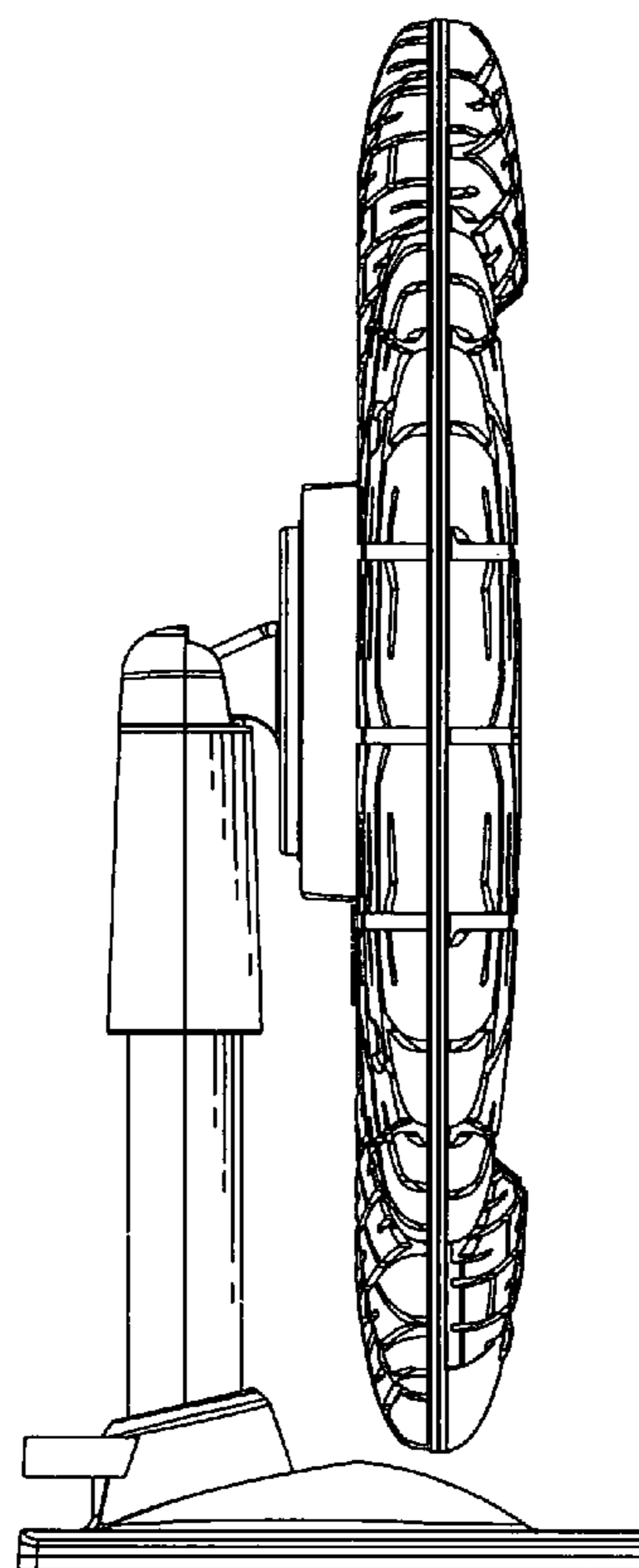
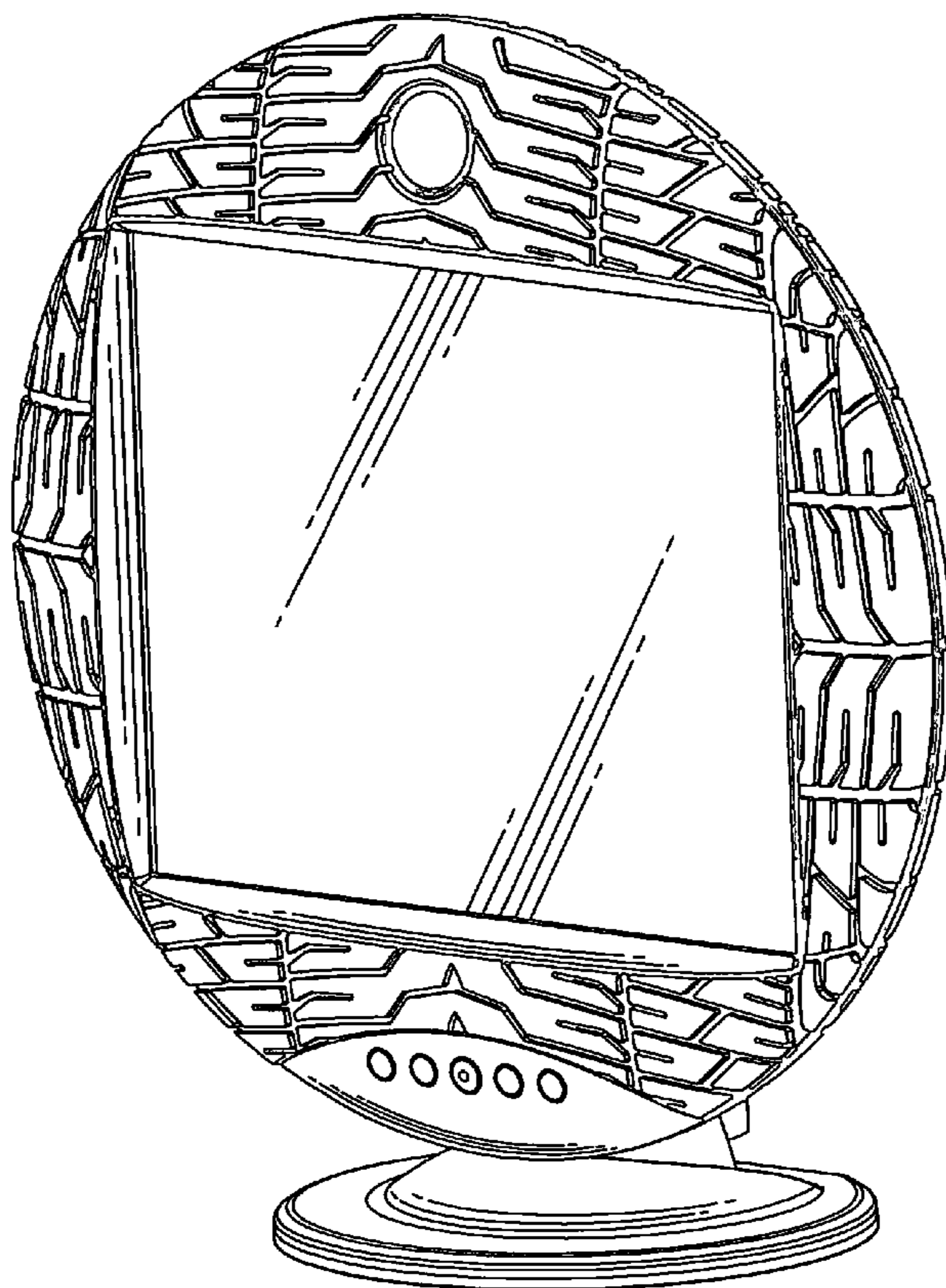
(57) **CLAIM**

The ornamental design for display, as shown and described.

DESCRIPTION

FIG. 1 is a perspective view of display showing the design;
FIG. 2 is a front side view thereof;
FIG. 3 is a back side view thereof;
FIG. 4 is a left side view thereof;
FIG. 5 is a right side view thereof;
FIG. 6 is a top elevation view thereof; and,
FIG. 7 is a bottom elevation view thereof.

1 Claim, 7 Drawing Sheets



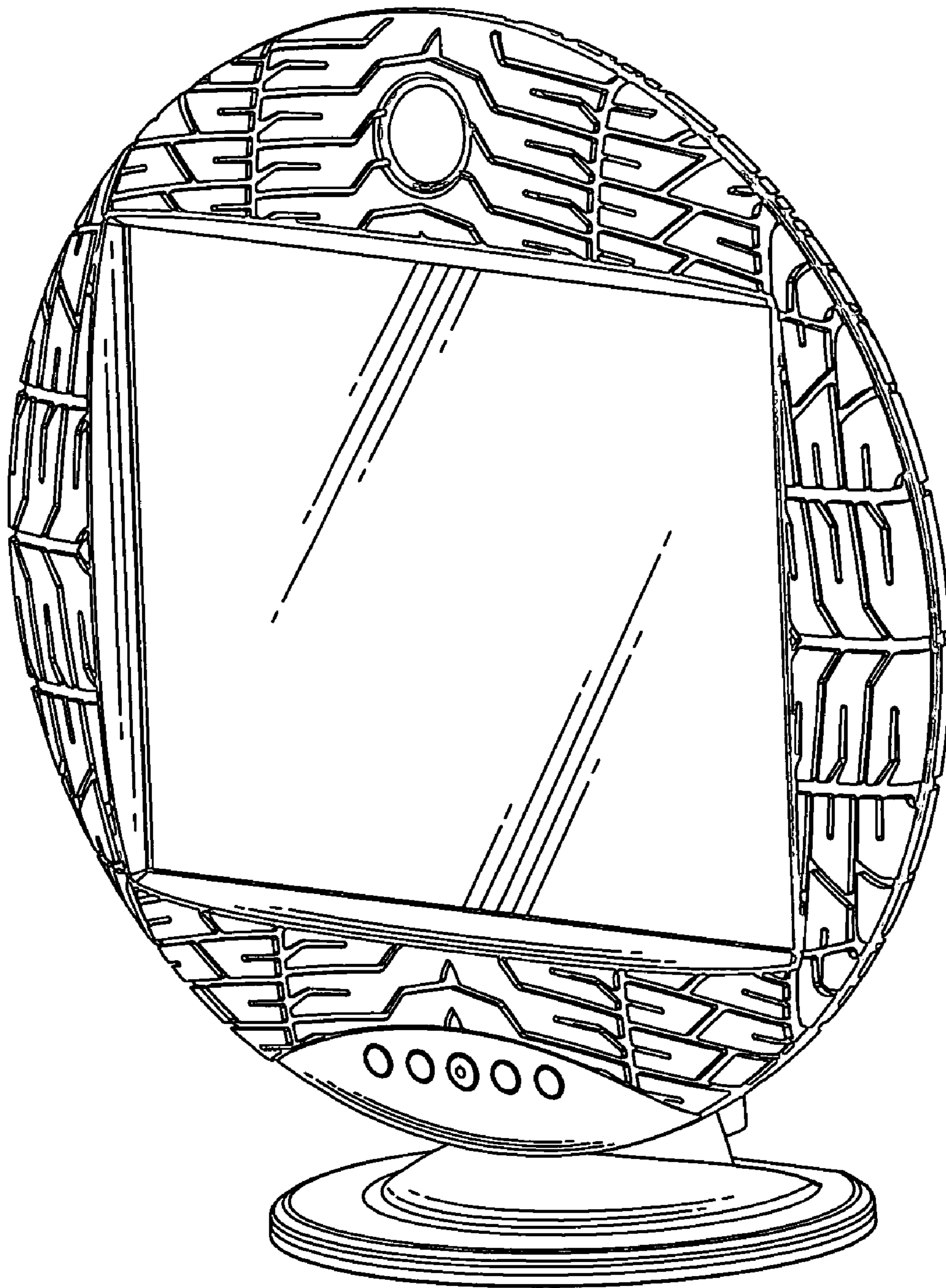


FIG. 1

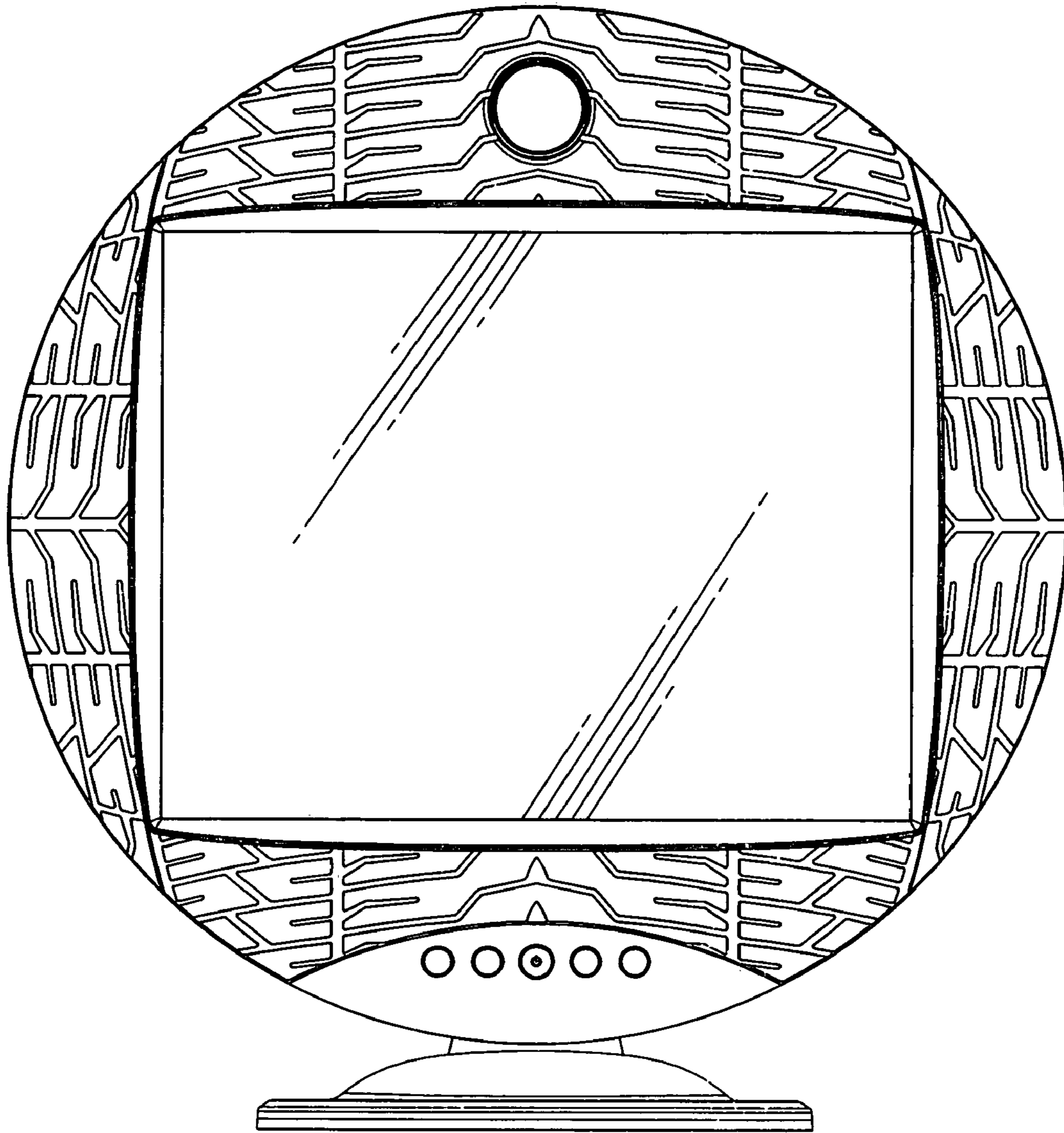


FIG. 2

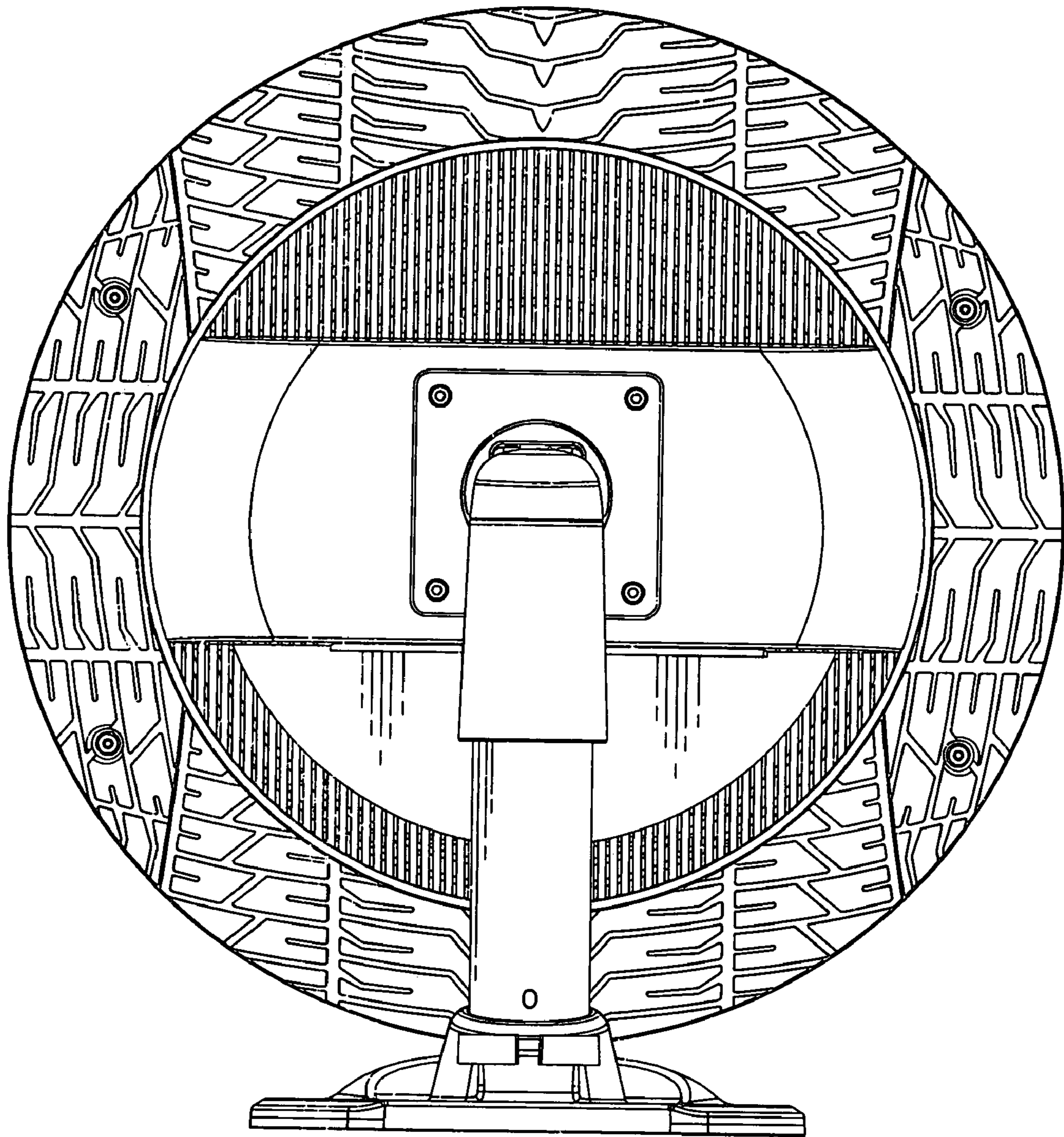


FIG. 3

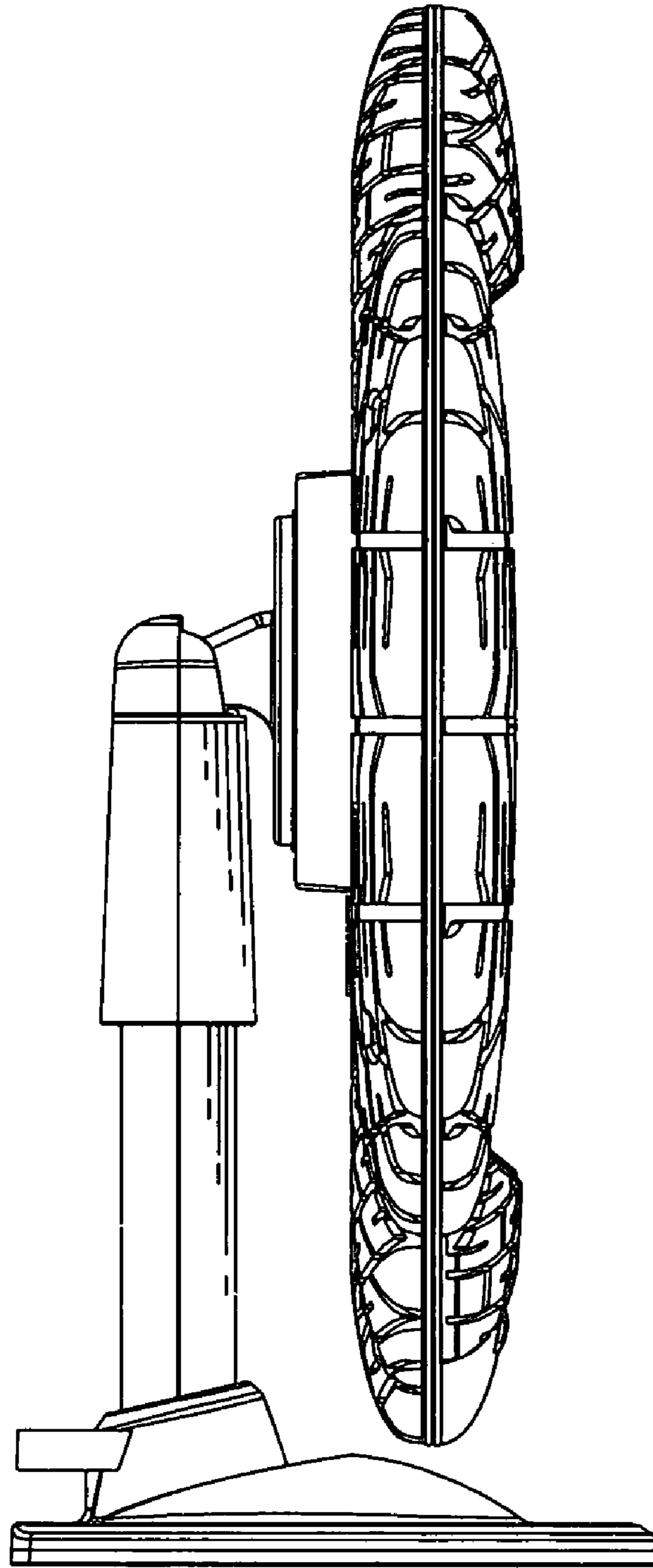


FIG. 4

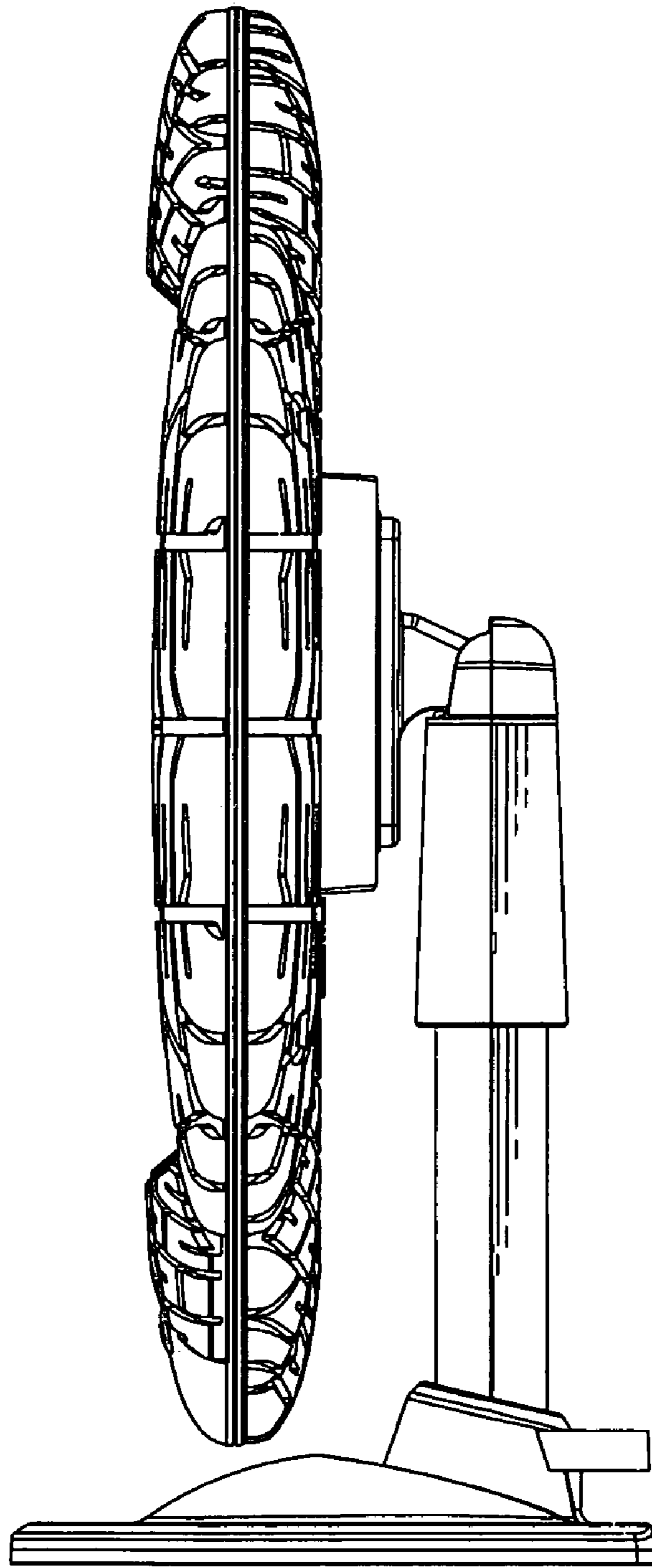


FIG. 5

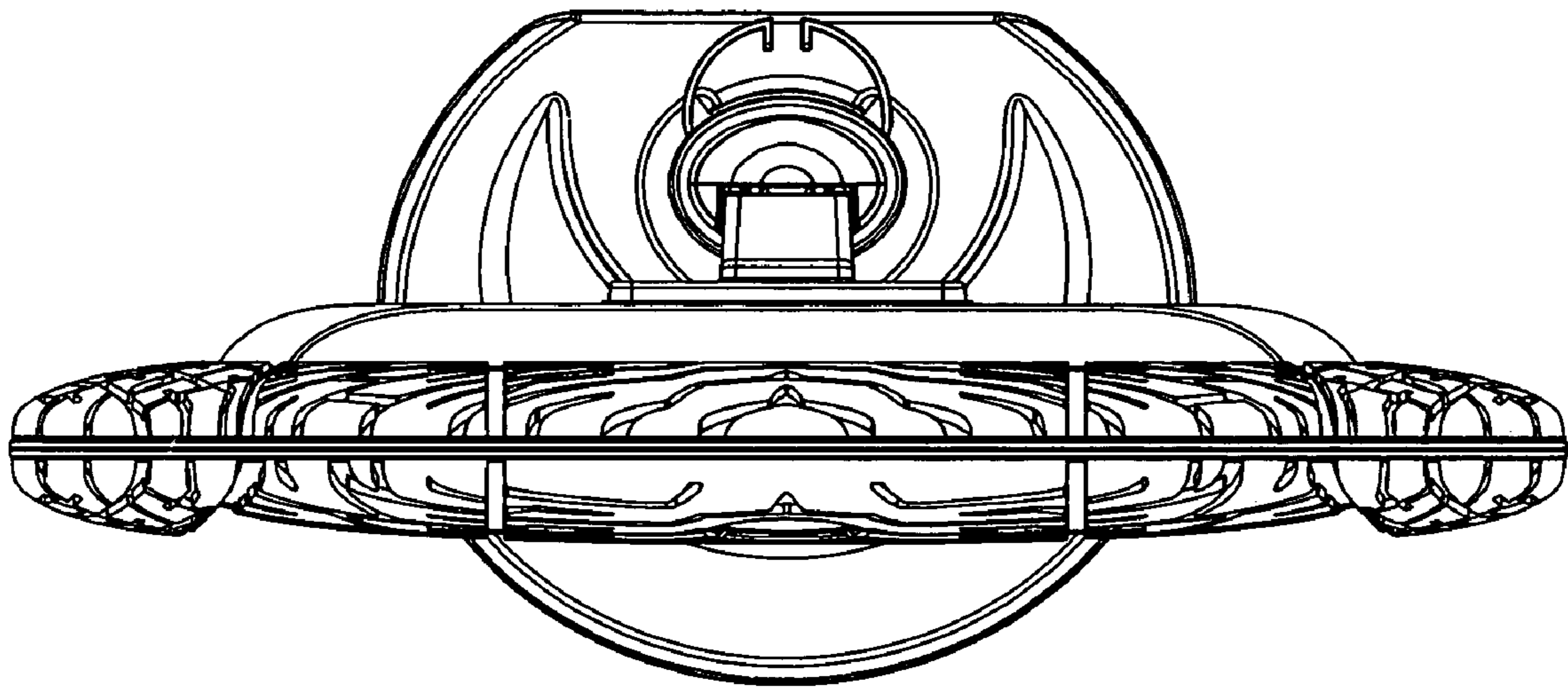


FIG. 6

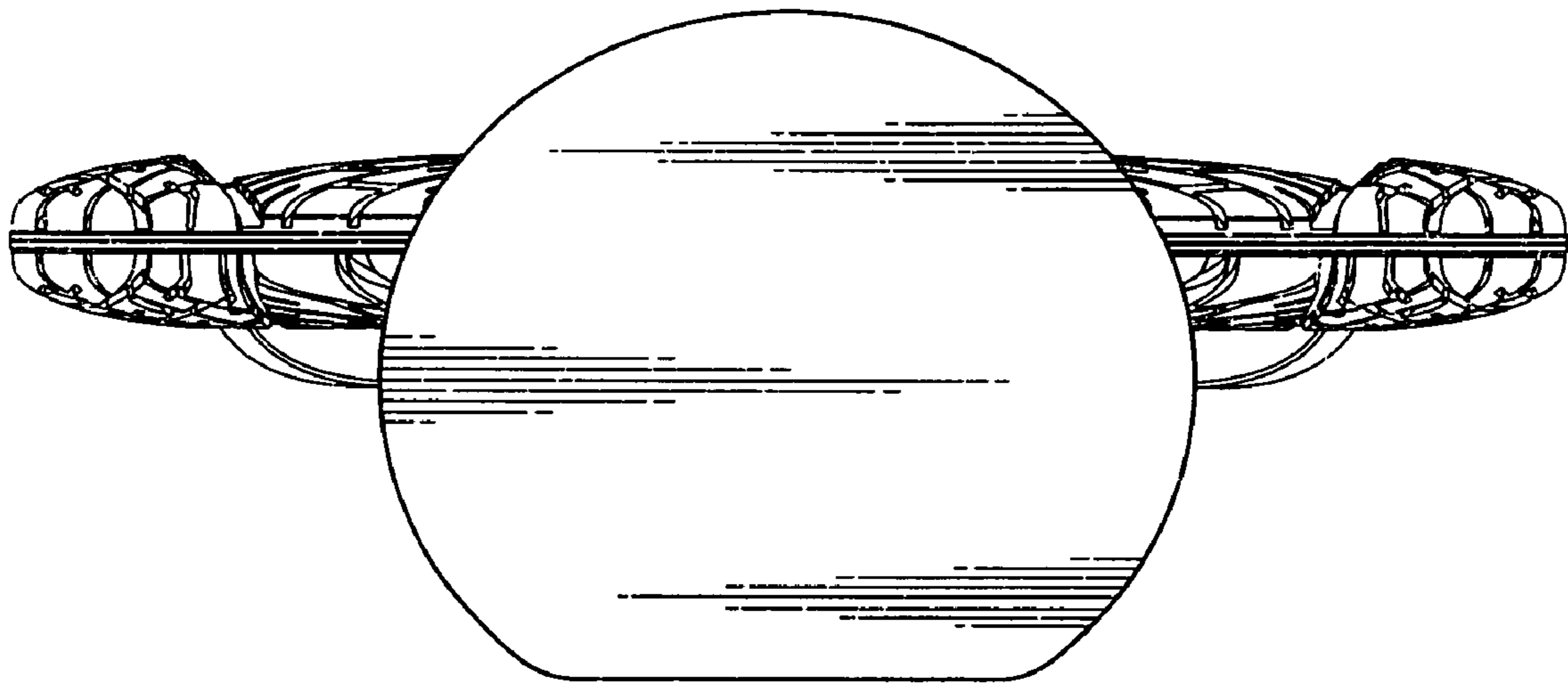


FIG. 7