



US00D590393S

(12) **United States Design Patent**
Millar et al.

(10) **Patent No.:** **US D590,393 S**
(45) **Date of Patent:** **** Apr. 14, 2009**

(54) **TRANSCEIVER**

D473,221 S * 4/2003 Gargani et al. D14/240
D478,577 S * 8/2003 Kolls et al. D14/240

(75) Inventors: **Greg Millar**, Coarsegold, CA (US);
Lawrence E. Bakst, Sunnyvale, CA
(US); **Farzin Aghdasi**, Clovis, CA (US);
Bryan R. Grziwok, Oakland, CA (US)

* cited by examiner

(73) Assignee: **Pelco, Inc.**, Clovis, CA (US)

Primary Examiner—Brian N Vinson

(**) Term: **14 Years**

(74) *Attorney, Agent, or Firm*—Paul T. Kashimba

(21) Appl. No.: **29/285,304**

(57) **CLAIM**

(22) Filed: **Mar. 26, 2007**

The ornamental design for transceiver, as shown and described.

(51) **LOC (9) Cl.** **14-02**

(52) **U.S. Cl.** **D14/358**

(58) **Field of Classification Search** D14/356,
D14/358, 432, 433, 137, 138, 140, 155, 188,
D14/217, 240, 299, 191; D13/110, 184;
439/488, 490, 901; 379/1.03, 38, 39, 42,
379/67.1, 88.17, 90.01, 93.01, 93.17, 142.07,
379/219, 220.01, 221.14, 221.15, 387.01,
379/397, 399.01, 419, 428.01, 457; 455/3.01,
455/3.05, 3.06, 426.1, 500, 73, 74, 556.1,
455/561, 575.1, 89, 91, 95, 130, 132, 344,
455/347, 899, FOR. 54

See application file for complete search history.

DESCRIPTION

(56) **References Cited**

U.S. PATENT DOCUMENTS

D393,859 S * 4/1998 Nguyen et al. D14/191
D429,238 S * 8/2000 Kولينen D14/240

FIG. 1 is a front perspective view of a controller showing the new design;

FIG. 2 is a front elevational view thereof;

FIG. 3 is a back elevational view thereof;

FIG. 4 is a left side elevational view thereof;

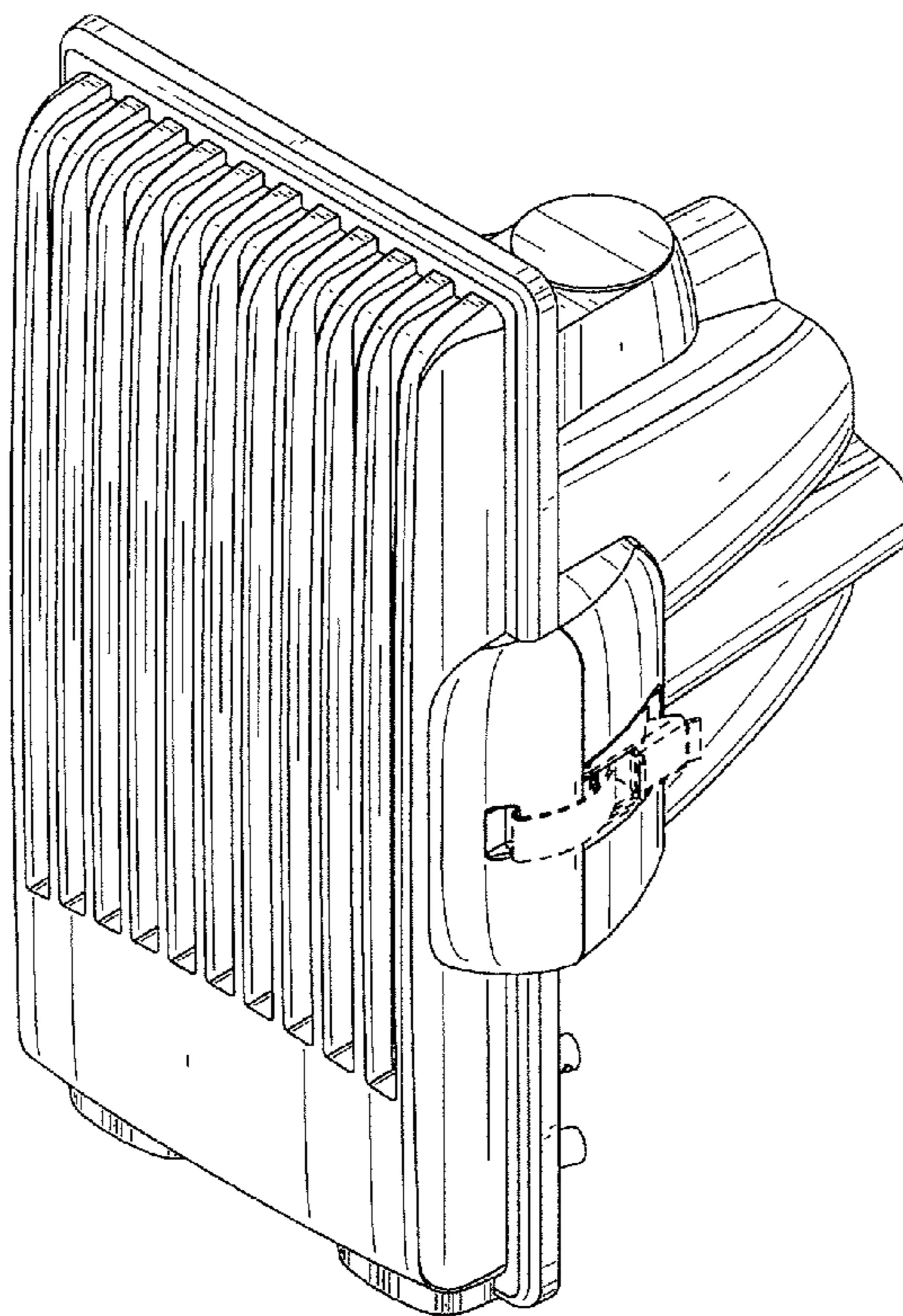
FIG. 5 is a right side elevational view thereof;

FIG. 6 is a top plan view thereof; and,

FIG. 7 is a bottom plan view thereof.

The broken lines in FIGS. 1–3 and 5–7 are for illustrative purposes only and form no part of the claimed design.

1 Claim, 7 Drawing Sheets



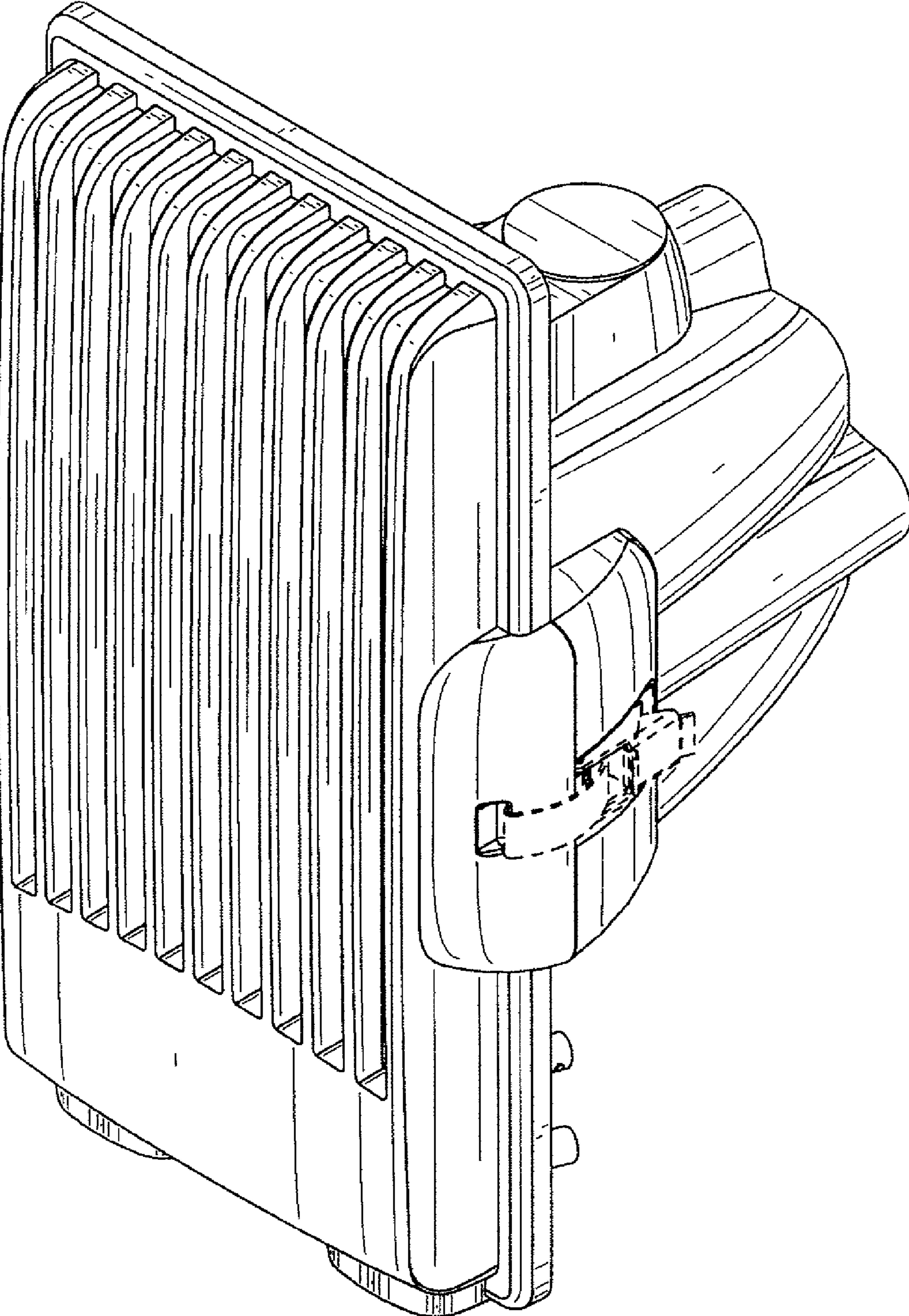


FIG. 1

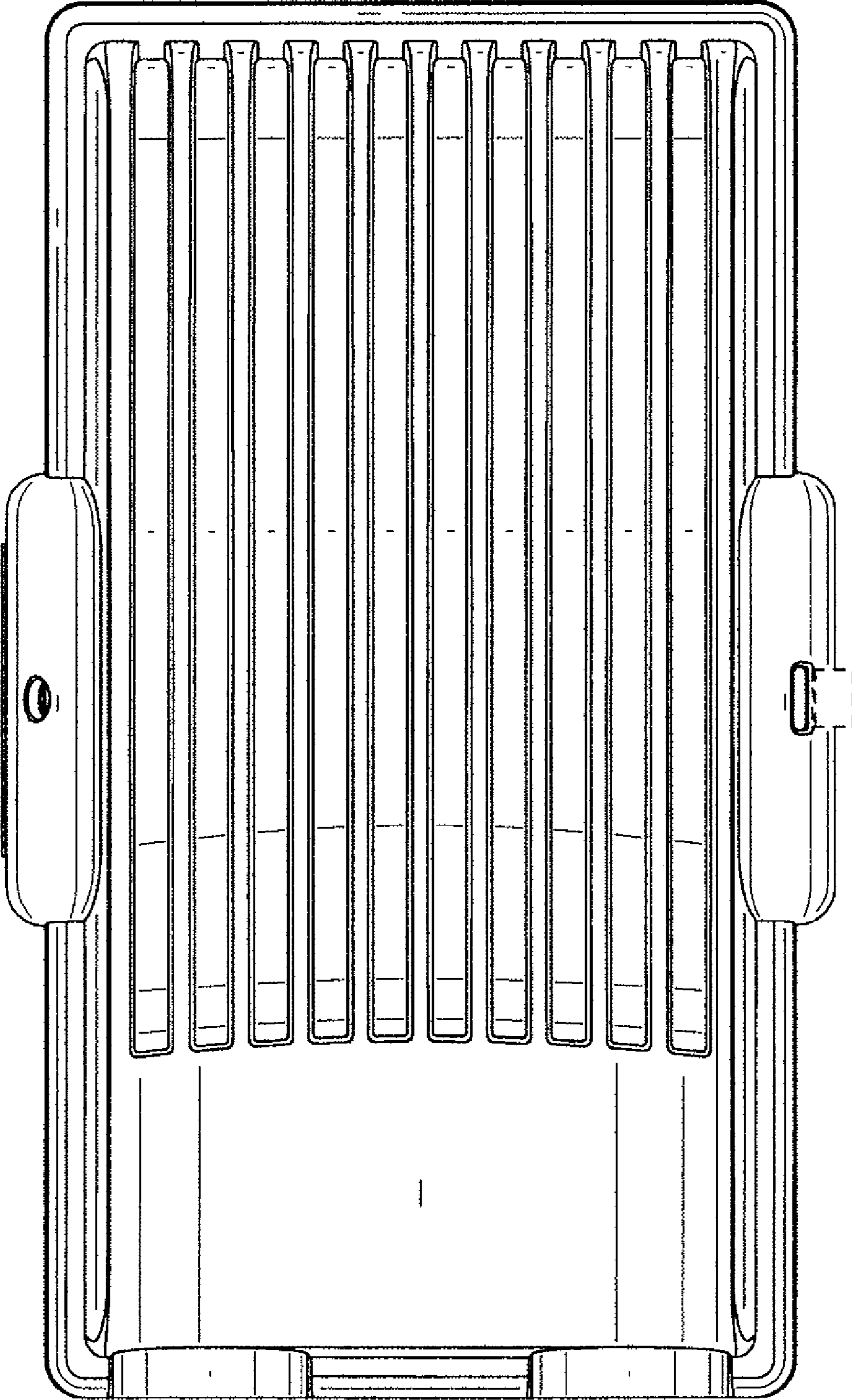


FIG. 2

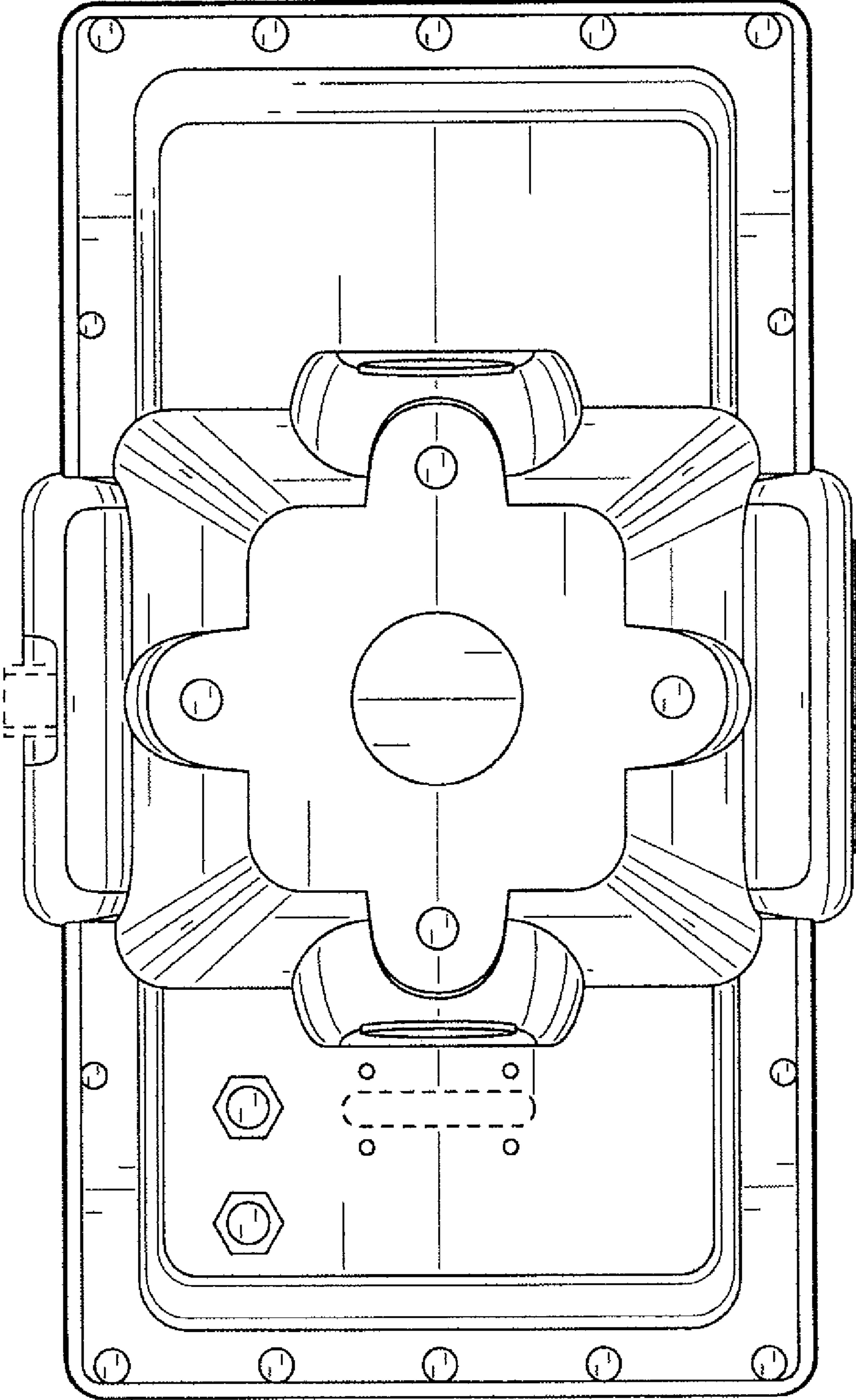


FIG. 3

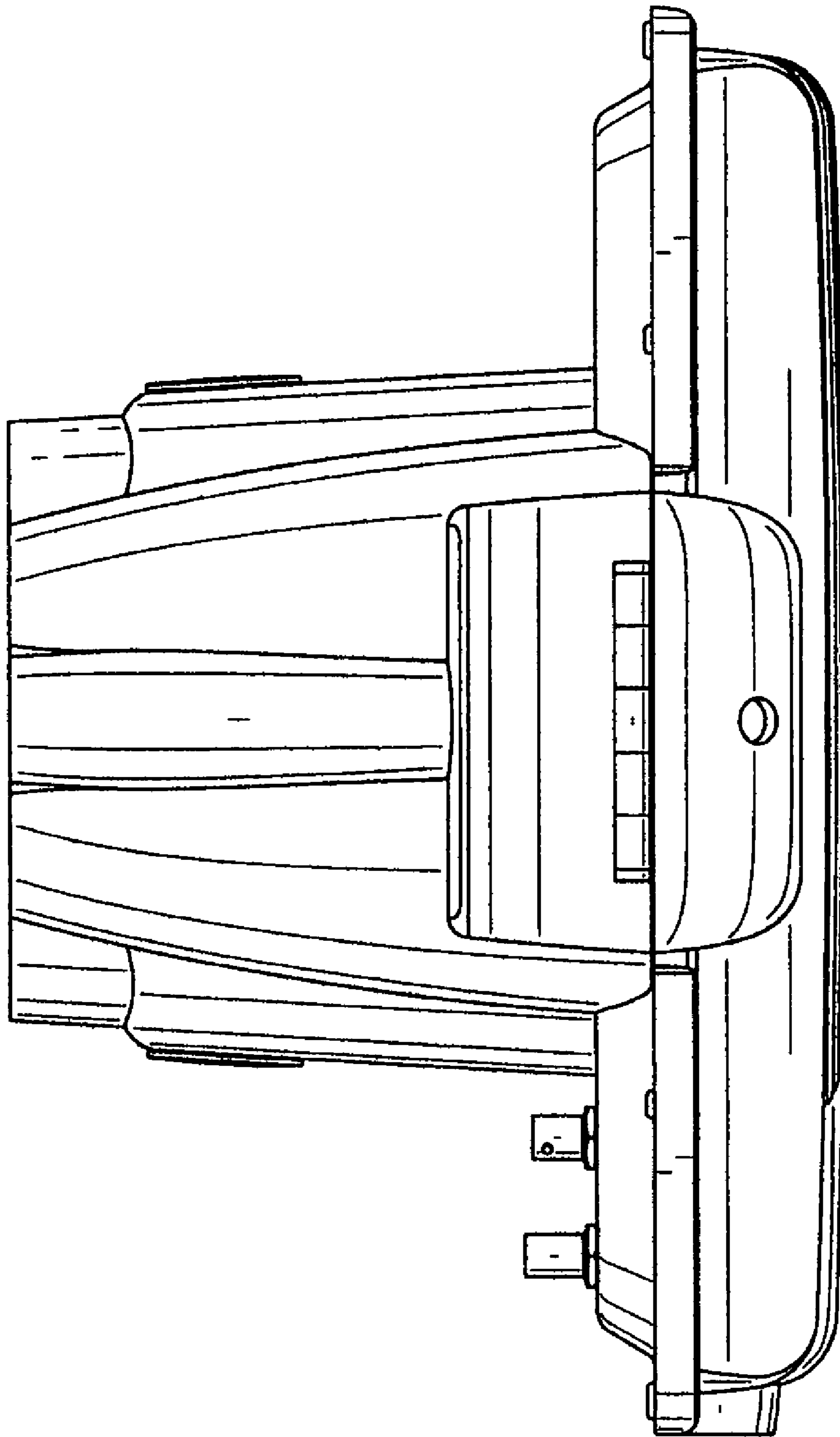


FIG. 4

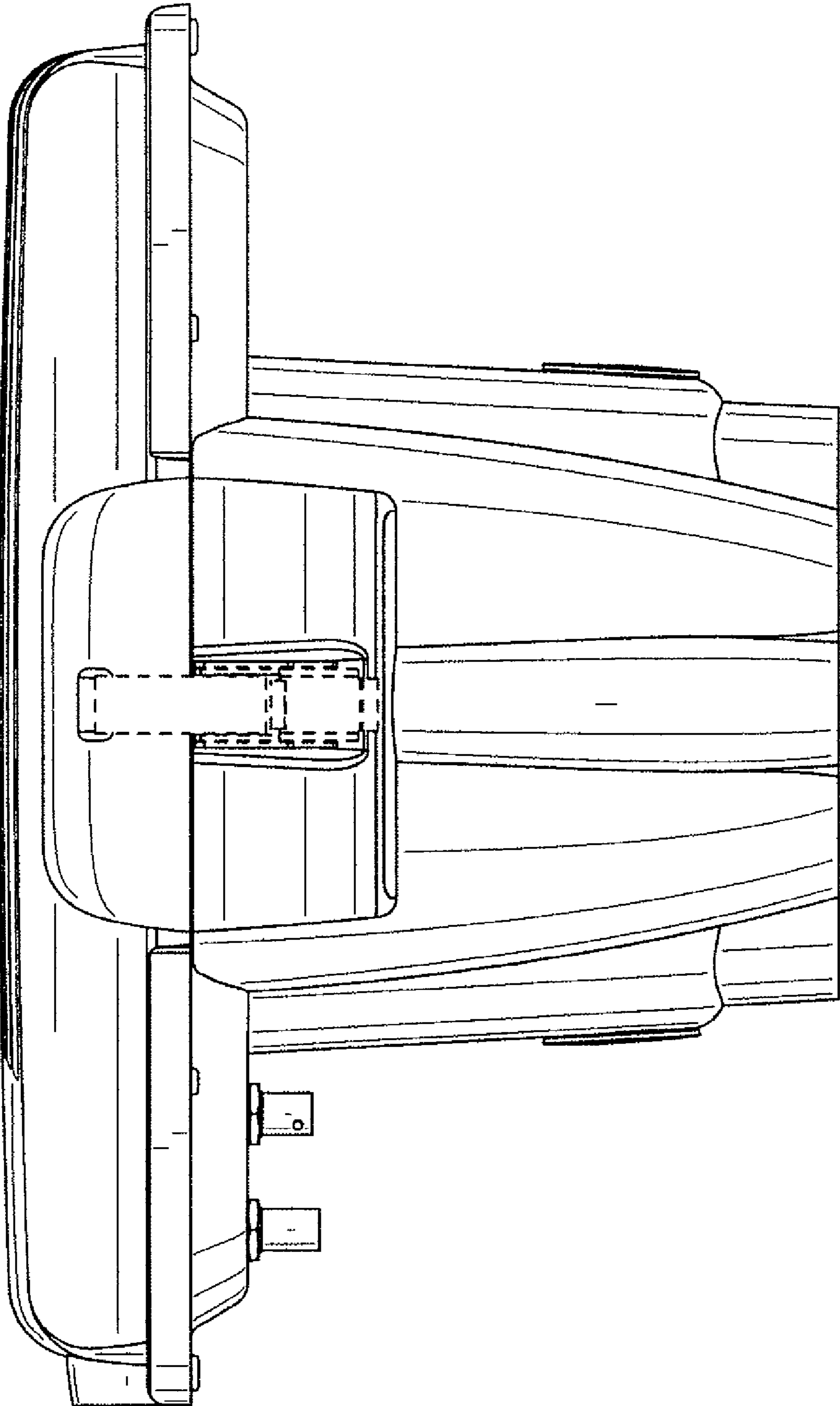


FIG. 5

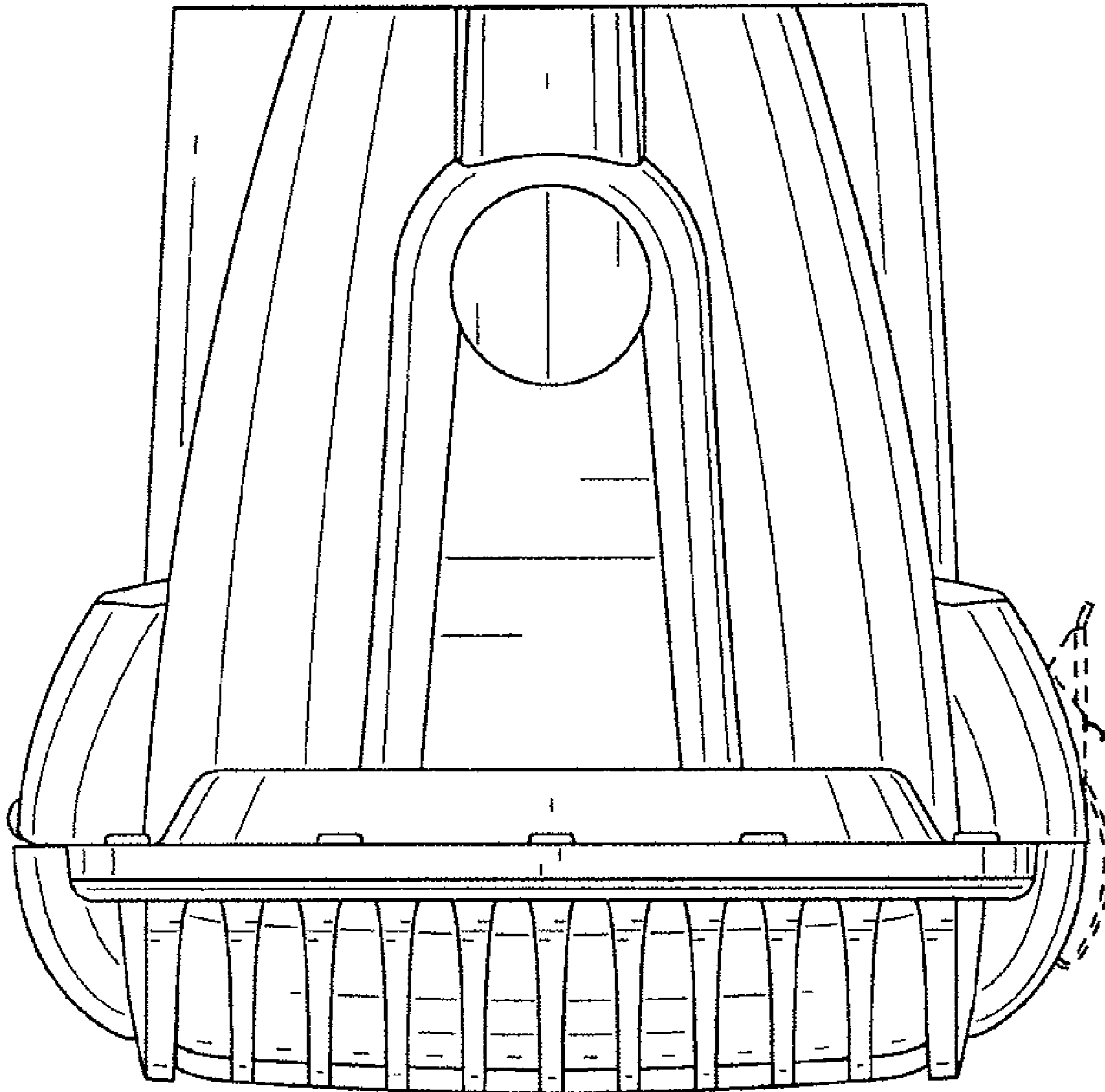


FIG. 6

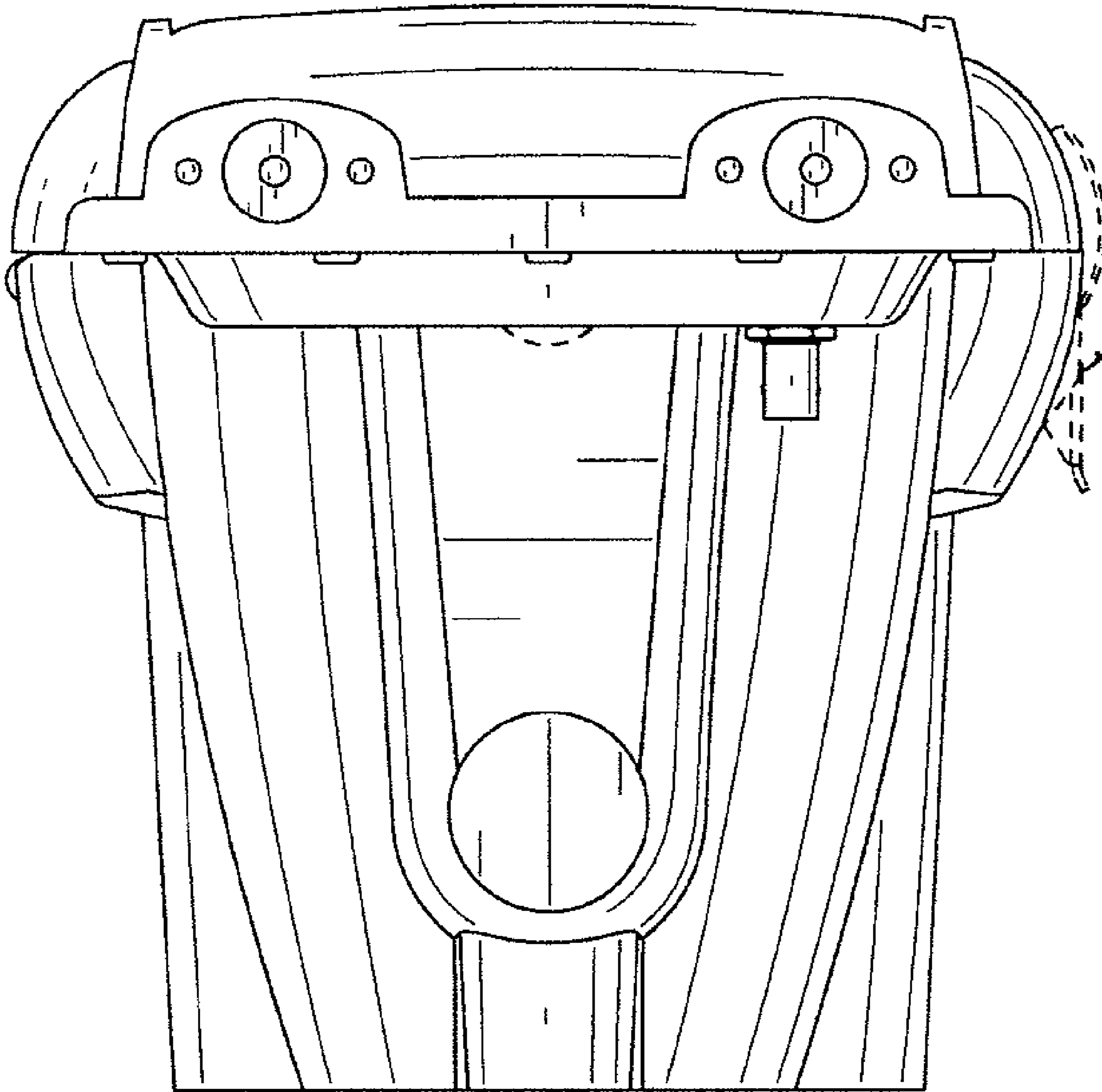


FIG. 7