



(12) **United States Design Patent**  
**Sumii**

(10) **Patent No.:** **US D590,391 S**  
(45) **Date of Patent:** **\*\* Apr. 14, 2009**

(54) **ARITHMETIC AND CONTROL UNIT**

(75) Inventor: **Tetsu Sumii**, Tokyo (JP)

(73) Assignee: **Sony Corporation**, Tokyo (JP)

(\*\*) Term: **14 Years**

(21) Appl. No.: **29/287,089**

(22) Filed: **Jun. 26, 2007**

(51) **LOC (9) Cl.** ..... **14-02**

(52) **U.S. Cl.** ..... **D14/356**

(58) **Field of Classification Search** ..... D14/300-301,  
D14/313-314, 348-349, 351-370, 432, 435-436,  
D14/496, 137, 155, 167-168, 240, 214, 299;  
D13/149, 162, 184, 199; D3/201, 273; 711/100,  
711/115; 361/685; 360/132-133, 135; 312/223.1,  
312/223.2; 369/34.01, 36.01, 272.1; 379/93.01;  
720/613

See application file for complete search history.

(56) **References Cited**

**U.S. PATENT DOCUMENTS**

D227,785 S \* 7/1973 Wringer ..... D14/233

(Continued)

**FOREIGN PATENT DOCUMENTS**

JP D1201299 S 4/2004

**OTHER PUBLICATIONS**

“CES: Gates and team show off Microsoft’s consumer chops”,  
Between the Lines, ZDNet.com, [online] Jan. 7, 2007 [retrieved on  
Dec. 3, 2007]. Retrieved from the Internet <URL: <http://blogs.zdnet.com/BTL/?p=4237>>.\*

(Continued)

*Primary Examiner*—Robin V Webster

*Assistant Examiner*—Karen E Kearney

(74) *Attorney, Agent, or Firm*—Rader, Fishman & Grauer,  
PLLC

(57) **CLAIM**

The ornamental design for an arithmetic and control unit, as shown and described.

**DESCRIPTION**

FIG. 1 is a perspective view of a first embodiment of an arithmetic and control unit showing my new design;

FIG. 2 is a front elevational view thereof;

FIG. 3 is a rear elevation view thereof;

FIG. 4 is a left side elevational view thereof;

FIG. 5 is a right side elevational view thereof;

FIG. 6 is a top plan view thereof; and

FIG. 7 is a bottom plan view thereof.

FIG. 8 is a perspective view of a second embodiment of an arithmetic and control unit showing my new design;

FIG. 9 is a front elevational view thereof;

FIG. 10 is a rear elevation view thereof;

FIG. 11 is a left side elevational view thereof;

FIG. 12 is a right side elevational view thereof;

FIG. 13 is a top plan view thereof; and

FIG. 14 is a bottom plan view thereof.

FIG. 15 is a perspective view of a third embodiment of an arithmetic and control unit showing my new design;

FIG. 16 is a front elevational view thereof;

FIG. 17 is a rear elevation view thereof;

FIG. 18 is a left side elevational view thereof;

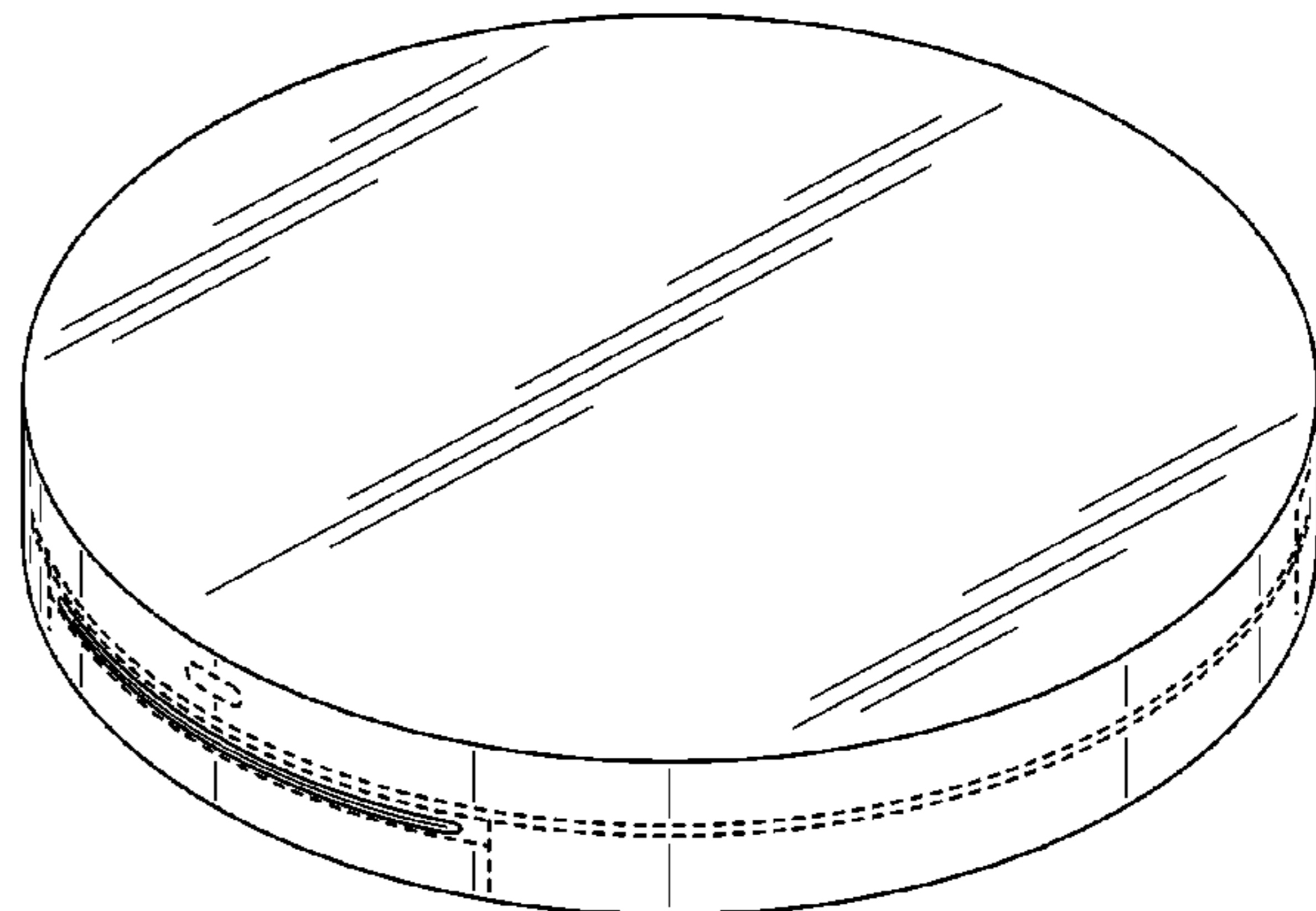
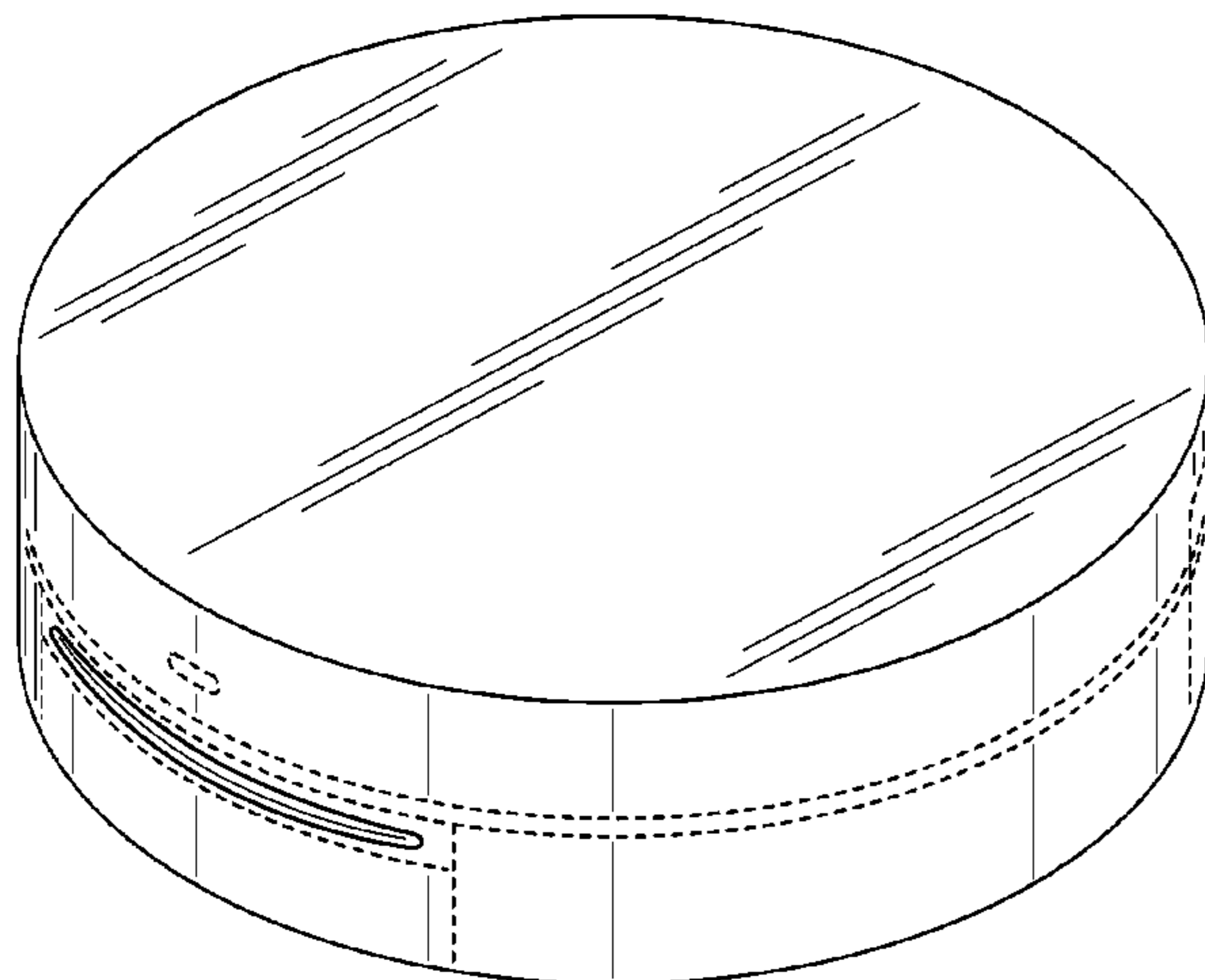
FIG. 19 is a right side elevational view thereof;

FIG. 20 is a top plan view thereof; and,

FIG. 21 is a bottom plan view thereof.

The portions indicated in broken lines are for illustrative purposes only and form no part of the claimed design.

**1 Claim, 21 Drawing Sheets**



U.S. PATENT DOCUMENTS

D274,048 S \* 5/1984 Wong et al. .... D10/106  
 D295,173 S \* 4/1988 Oren ..... D14/168  
 D308,521 S \* 6/1990 Lonczak ..... D14/230  
 D327,690 S \* 7/1992 Ogawa et al. .... D14/230  
 D366,657 S \* 1/1996 Hallgren et al. .... D14/160  
 D372,249 S \* 7/1996 Pinchuk ..... D14/299  
 D375,488 S \* 11/1996 Ikenaga ..... D14/357  
 D377,647 S \* 1/1997 Fekete et al. .... D14/436  
 D382,255 S \* 8/1997 Moffatt ..... D14/358  
 D387,062 S \* 12/1997 Heine ..... D14/230  
 D391,943 S \* 3/1998 Han ..... D14/356  
 D391,944 S \* 3/1998 Han ..... D14/356  
 D414,476 S 9/1999 Hibino  
 D418,142 S \* 12/1999 Liimatainen et al. .... D14/230  
 D427,996 S \* 7/2000 Heiligenstein et al. .... D14/230  
 D436,595 S \* 1/2001 Suzuki ..... D14/432  
 D451,924 S \* 12/2001 Chu ..... D14/436  
 D456,807 S \* 5/2002 Floyd ..... D14/363  
 D464,347 S \* 10/2002 Floyd ..... D14/363  
 D465,484 S \* 11/2002 Christianson ..... D14/299  
 D468,717 S \* 1/2003 Cuvelier ..... D14/168  
 D471,539 S \* 3/2003 Warner et al. .... D14/231  
 D475,035 S 5/2003 Takagi

D486,815 S \* 2/2004 Jones ..... D14/168  
 D496,038 S \* 9/2004 Floyd ..... D14/363  
 D498,738 S 11/2004 Matsuoka  
 D504,882 S \* 5/2005 Bhavnani ..... D14/188  
 D507,789 S \* 7/2005 Mangano ..... D14/168  
 D509,825 S 9/2005 Chen  
 D510,926 S \* 10/2005 Jerome ..... D14/156  
 D519,979 S 5/2006 Suzuki  
 D529,019 S \* 9/2006 Lim ..... D14/172  
 D533,177 S \* 12/2006 Andre et al. .... D14/314  
 D537,409 S \* 2/2007 Suzuki ..... D13/108  
 D561,161 S \* 2/2008 Cho ..... D14/156  
 2008/0010405 A1 \* 1/2008 Allen et al. .... 711/115

OTHER PUBLICATIONS

“Windows Home Server: Up Close And Personal”, CrunchGear, Web Archive, [online] Jan. 12, 2007 [retrieved on Dec. 3, 2007]. Retrieved from the Internet < URL: <http://web.archive.org/web/20070112145420/http://crunchgear.com/2007/01/08/windows-home-server-up-close-and-personal/>>.\*  
 Kapsel.com [online], [retrieved on Nov. 27, 2006]. Retrieved from the Internet <URL: <http://www.kapsel.com/default.asp?mall=scroll&menu=press&pil=on&streck=on>>.\*

\* cited by examiner

Fig.1

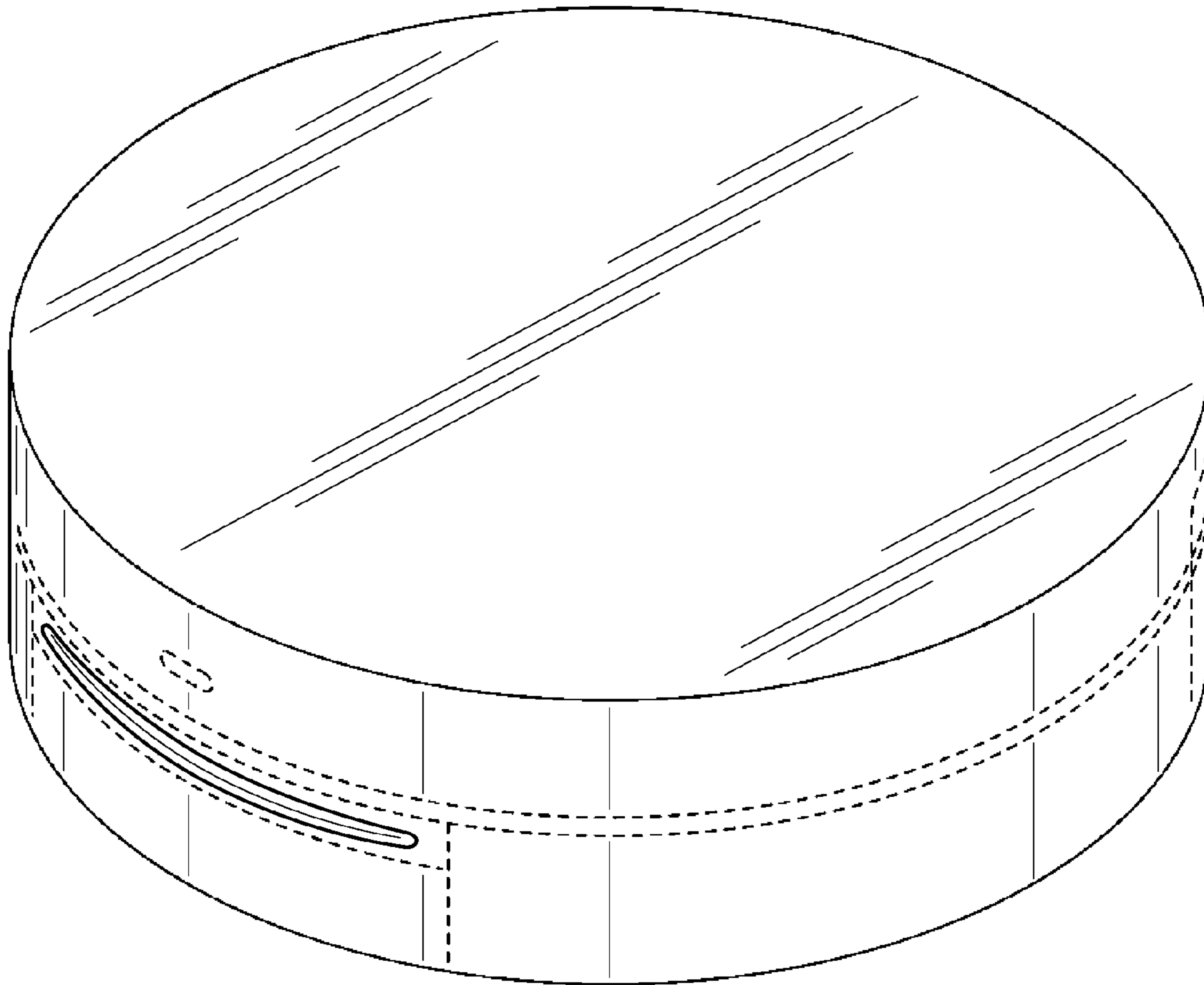


Fig.2

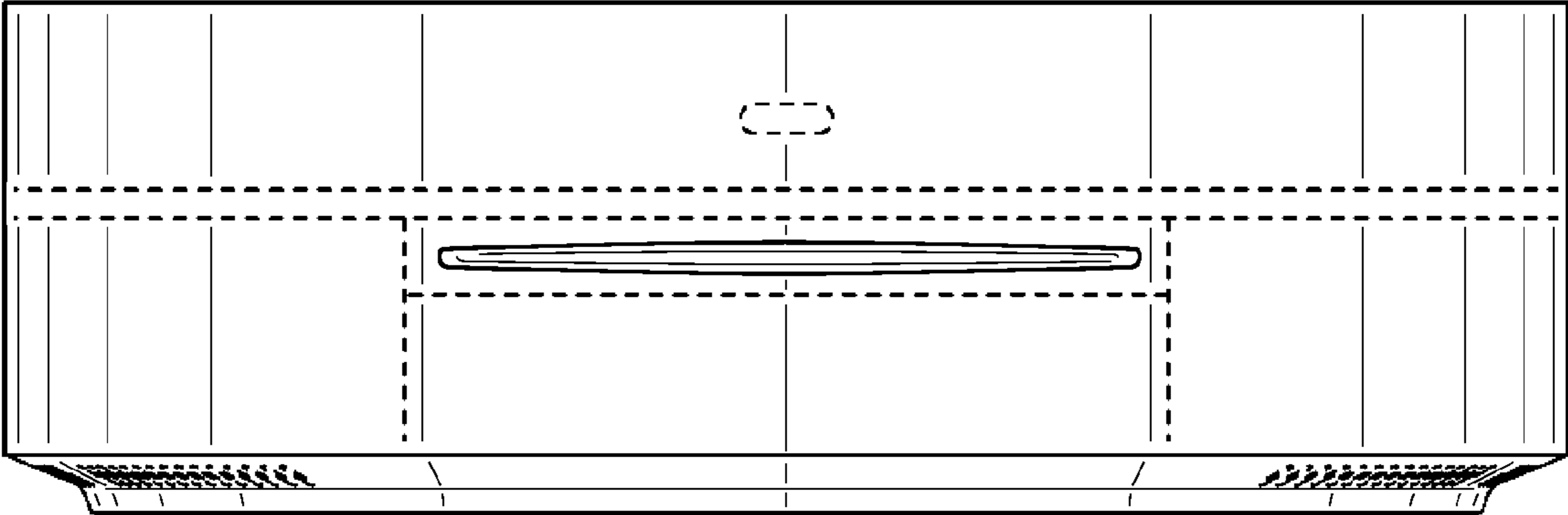


Fig.3

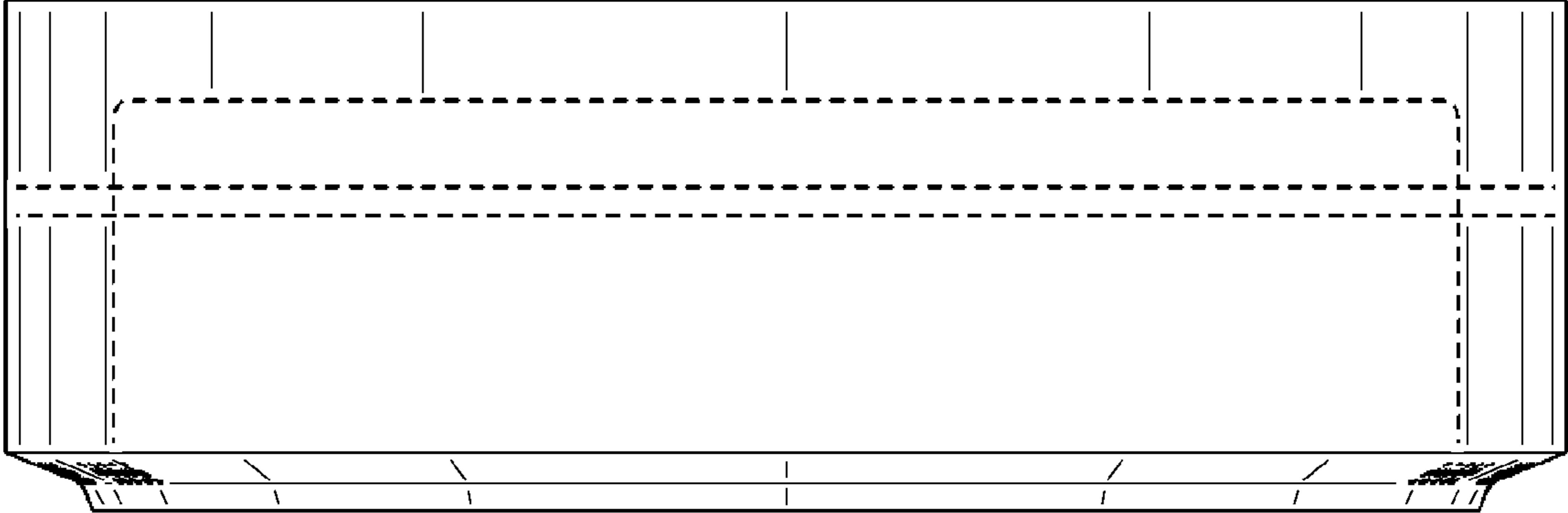


Fig.4

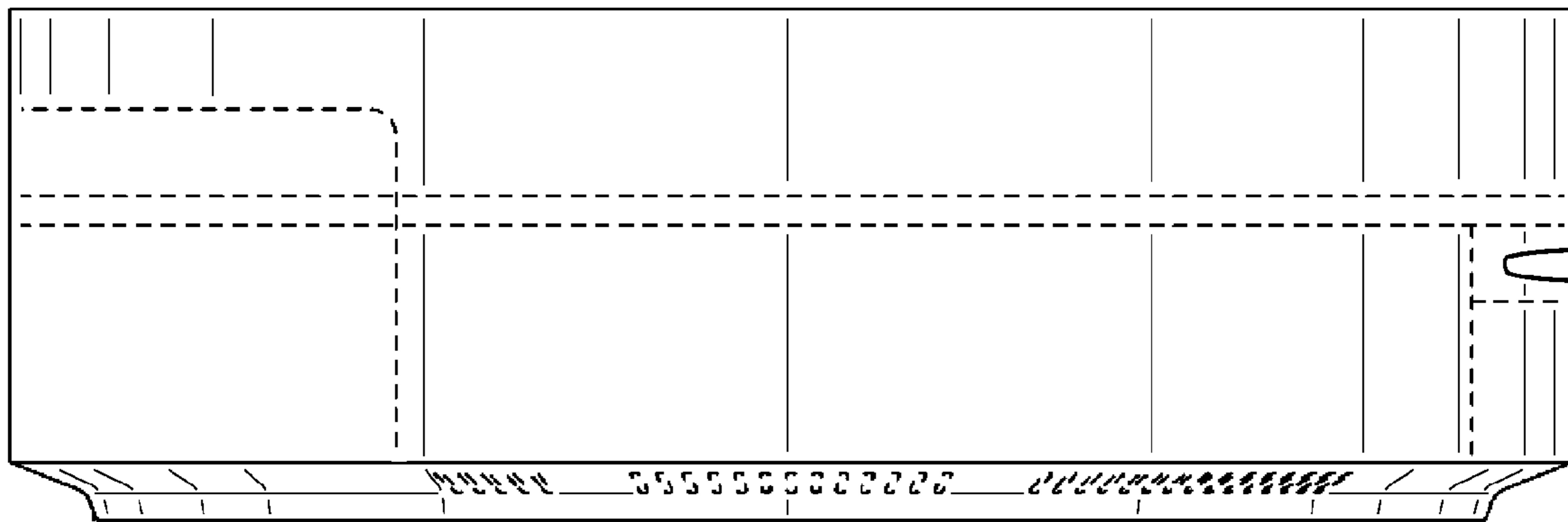


Fig.5

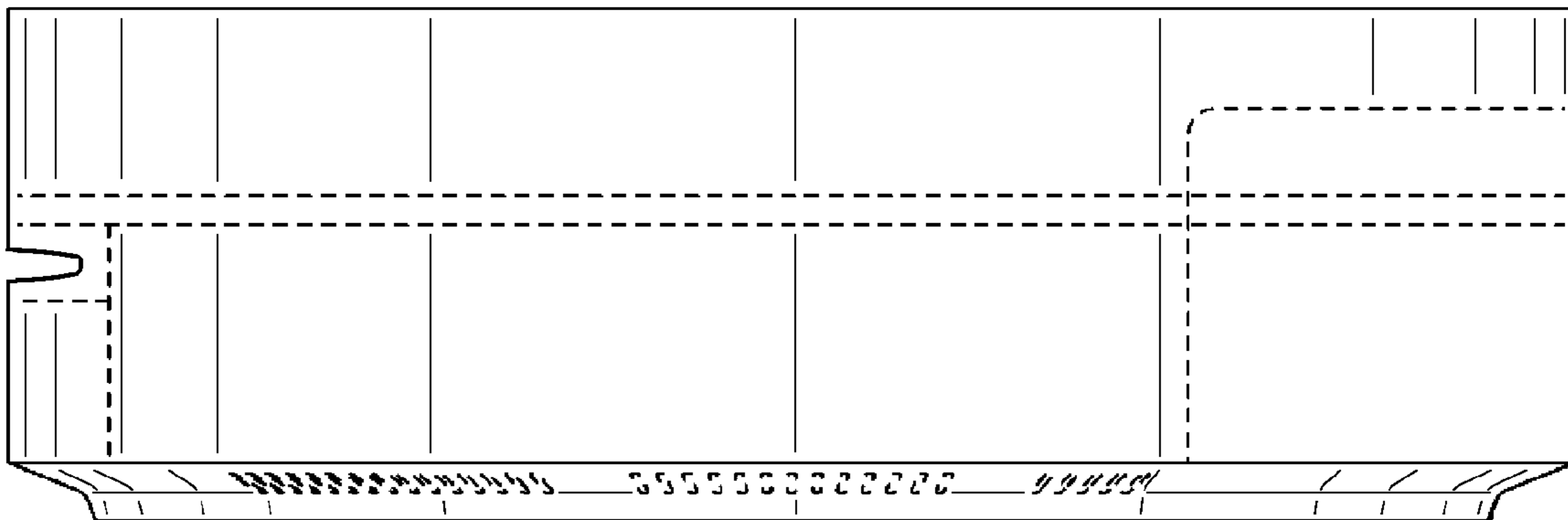


Fig.6

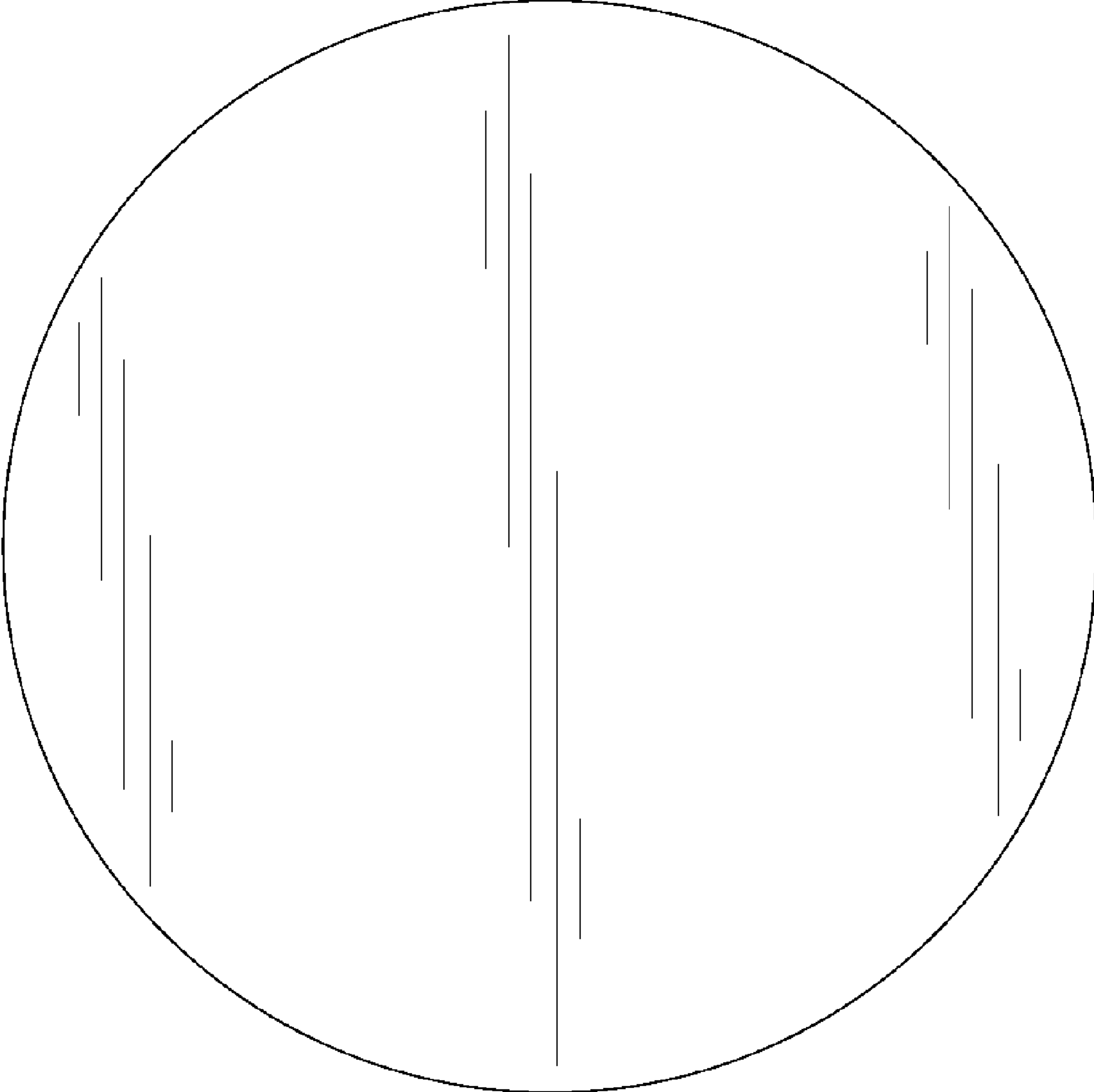




Fig.7

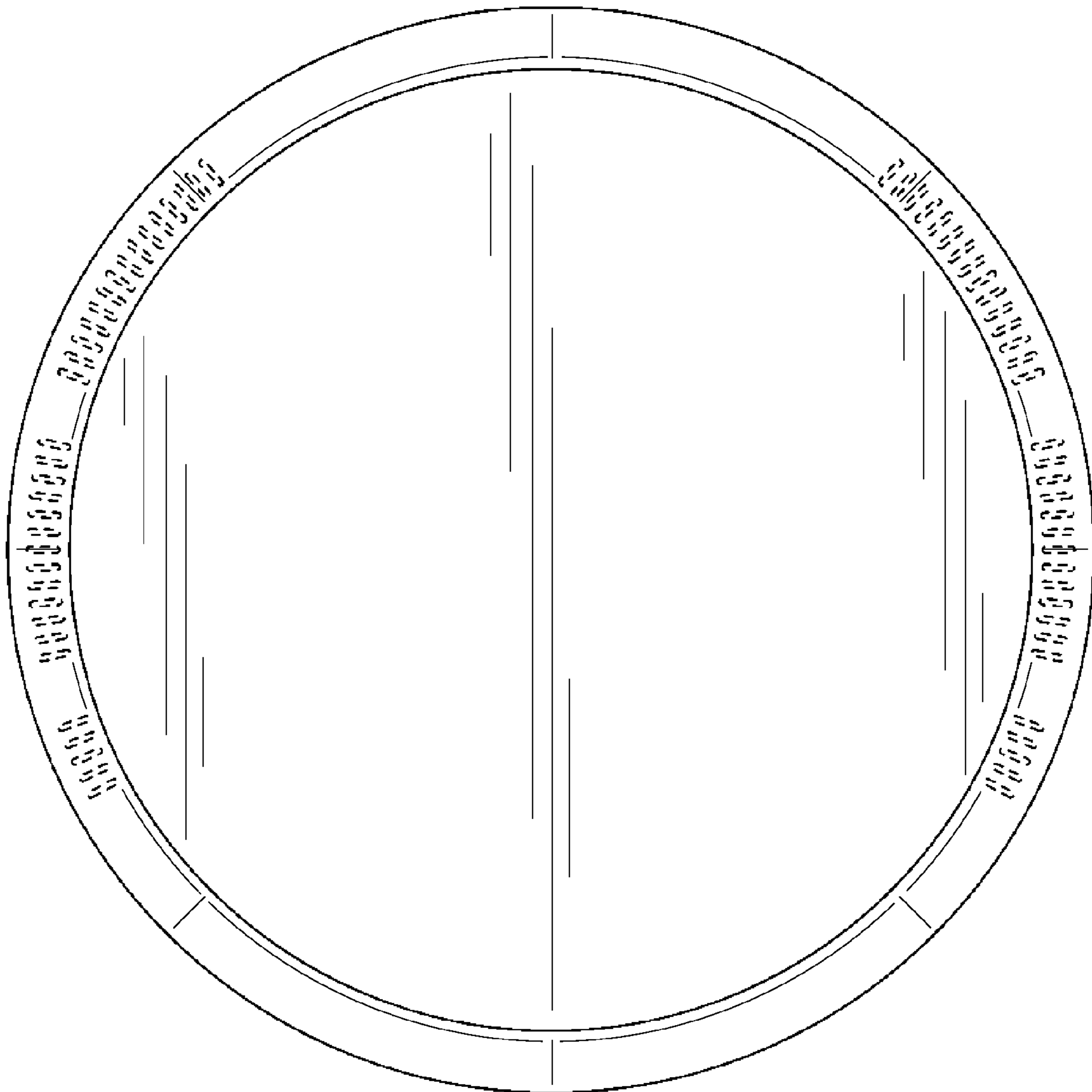


Fig.8

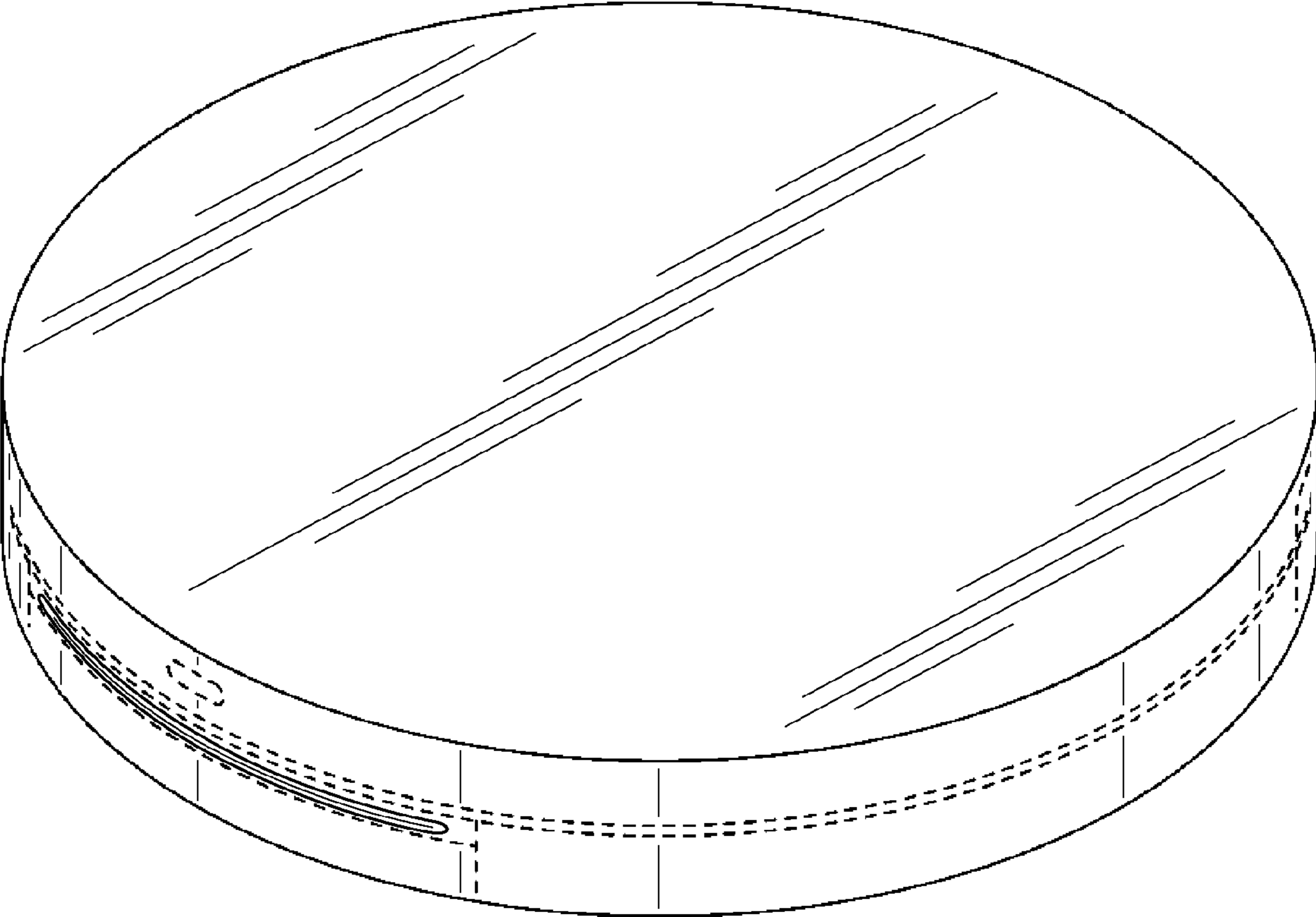


Fig.9

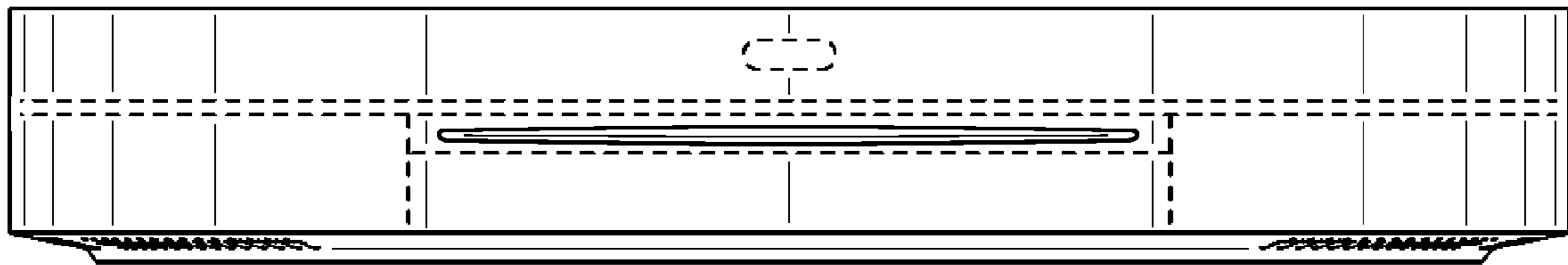


Fig.10

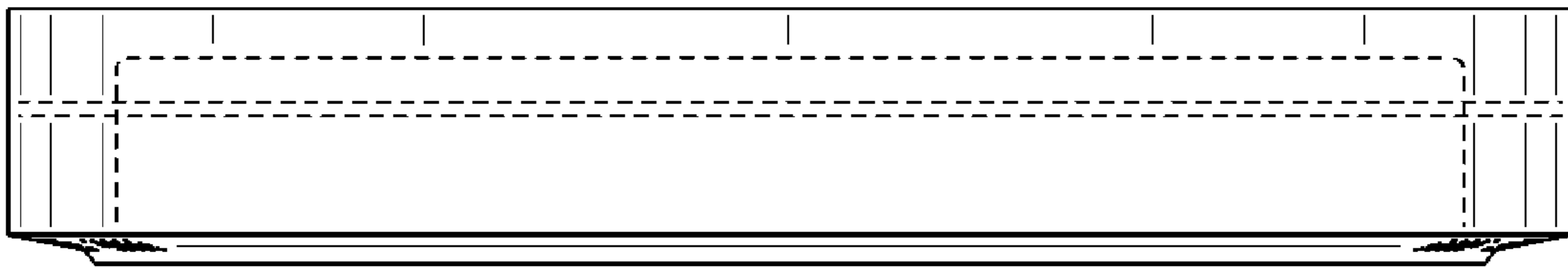


Fig.11

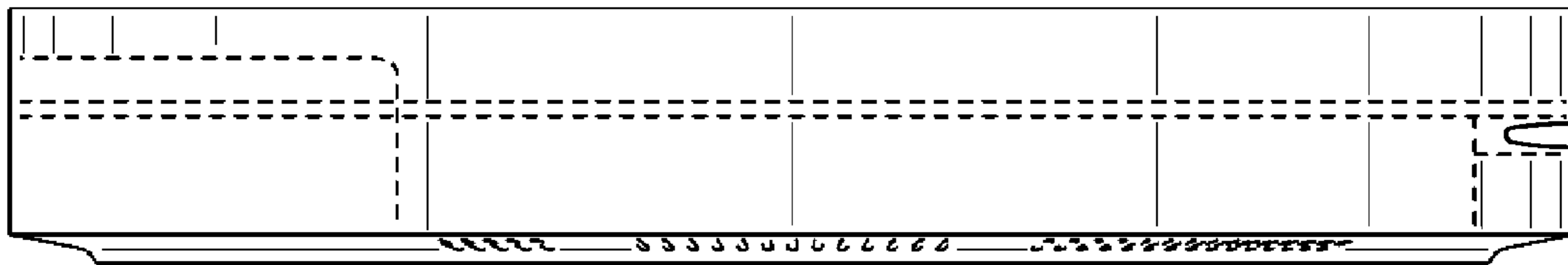


Fig.12

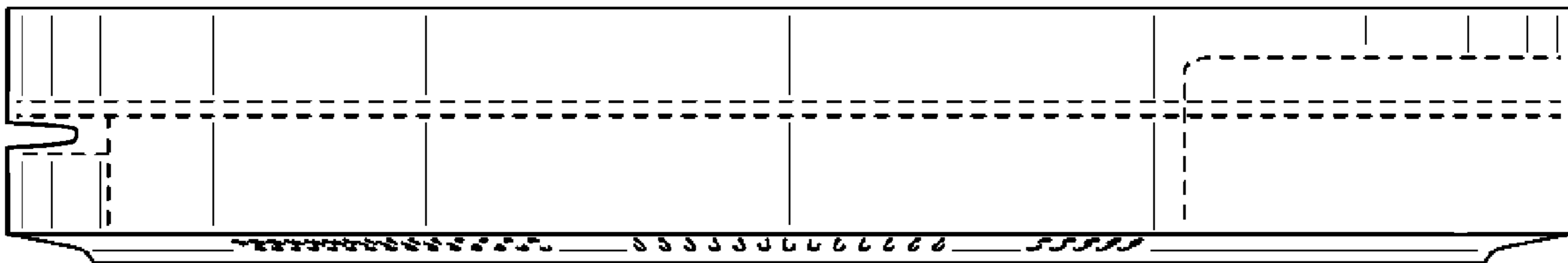


Fig.13

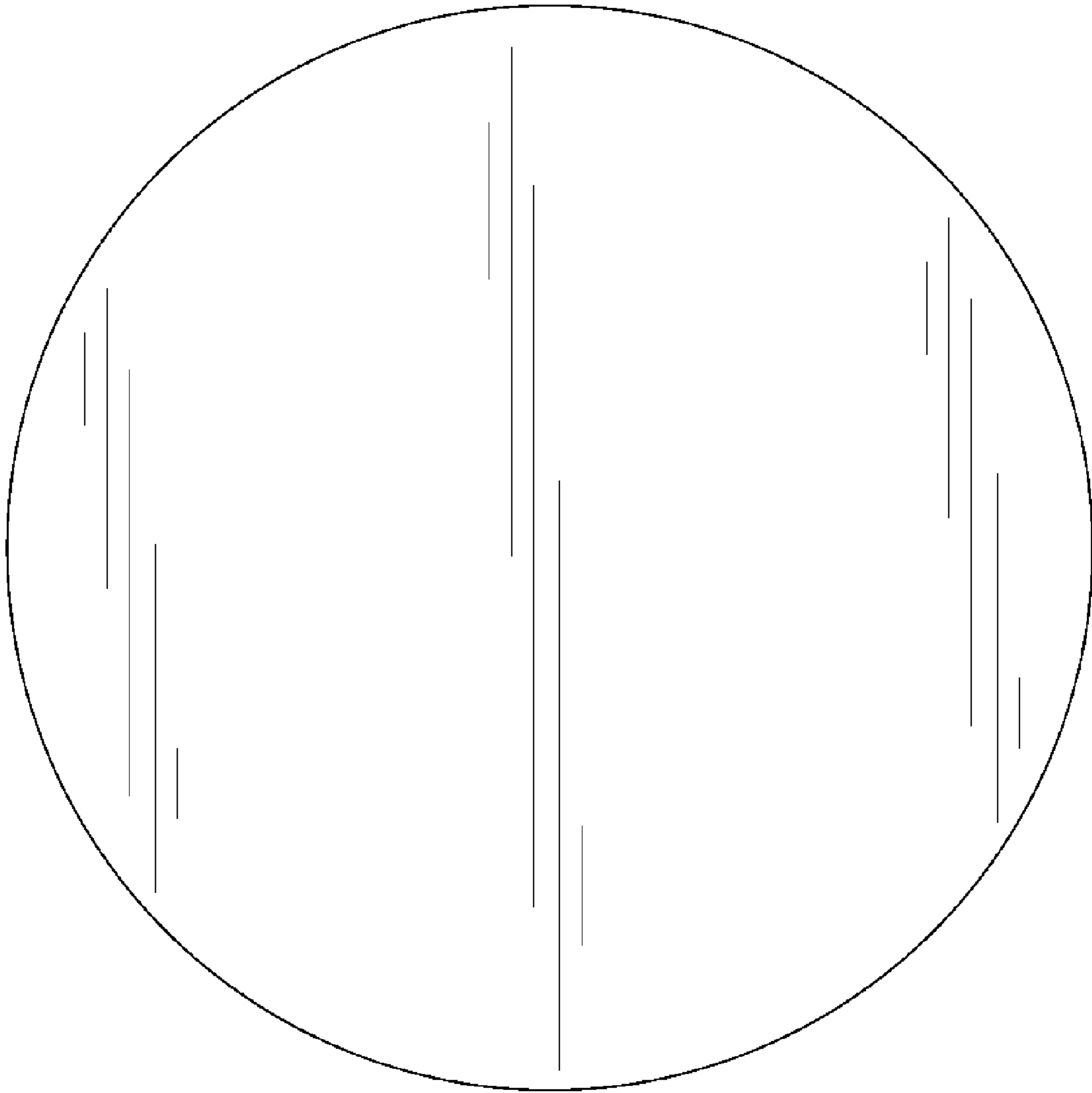


Fig.14

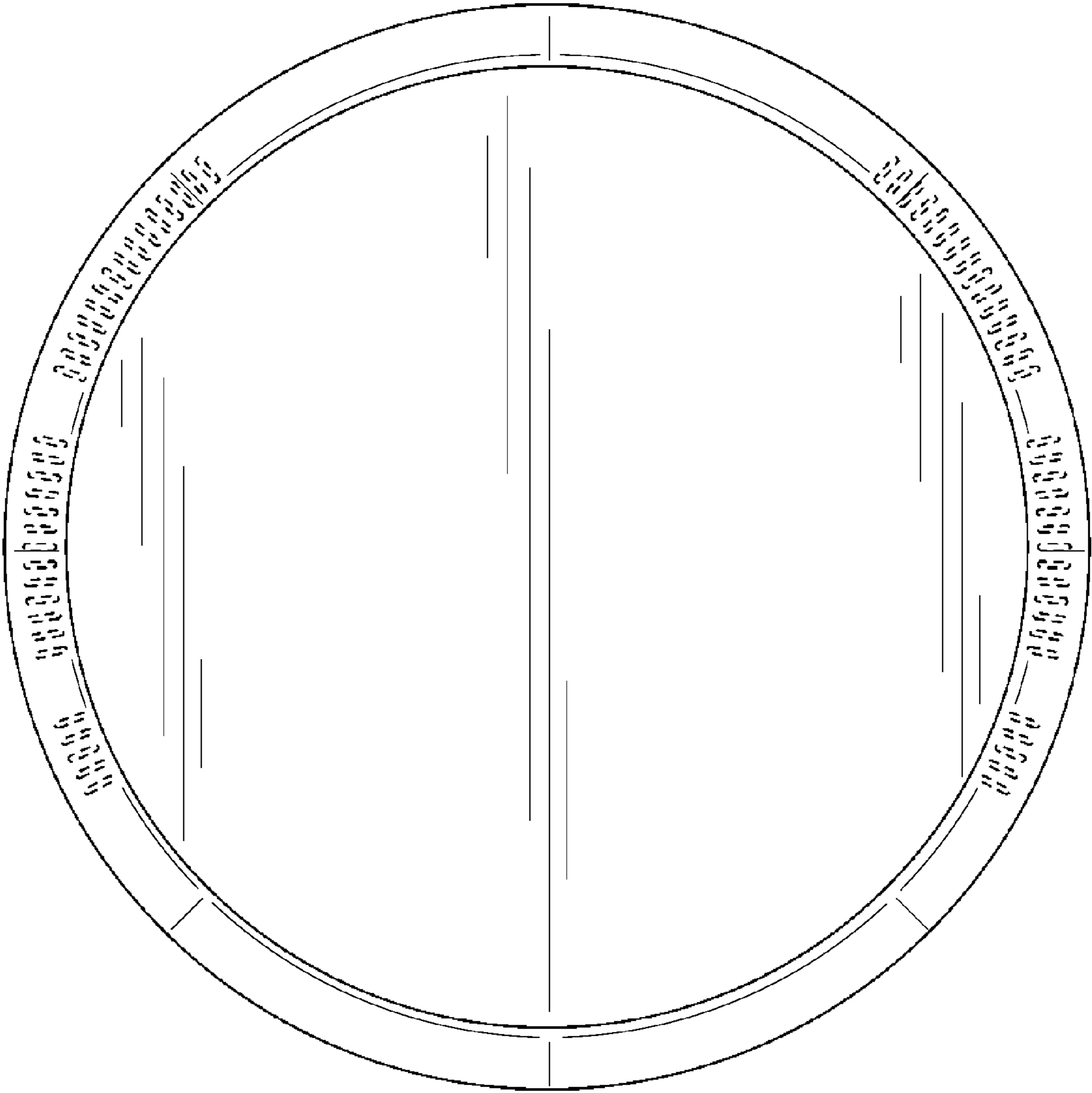




Fig.15

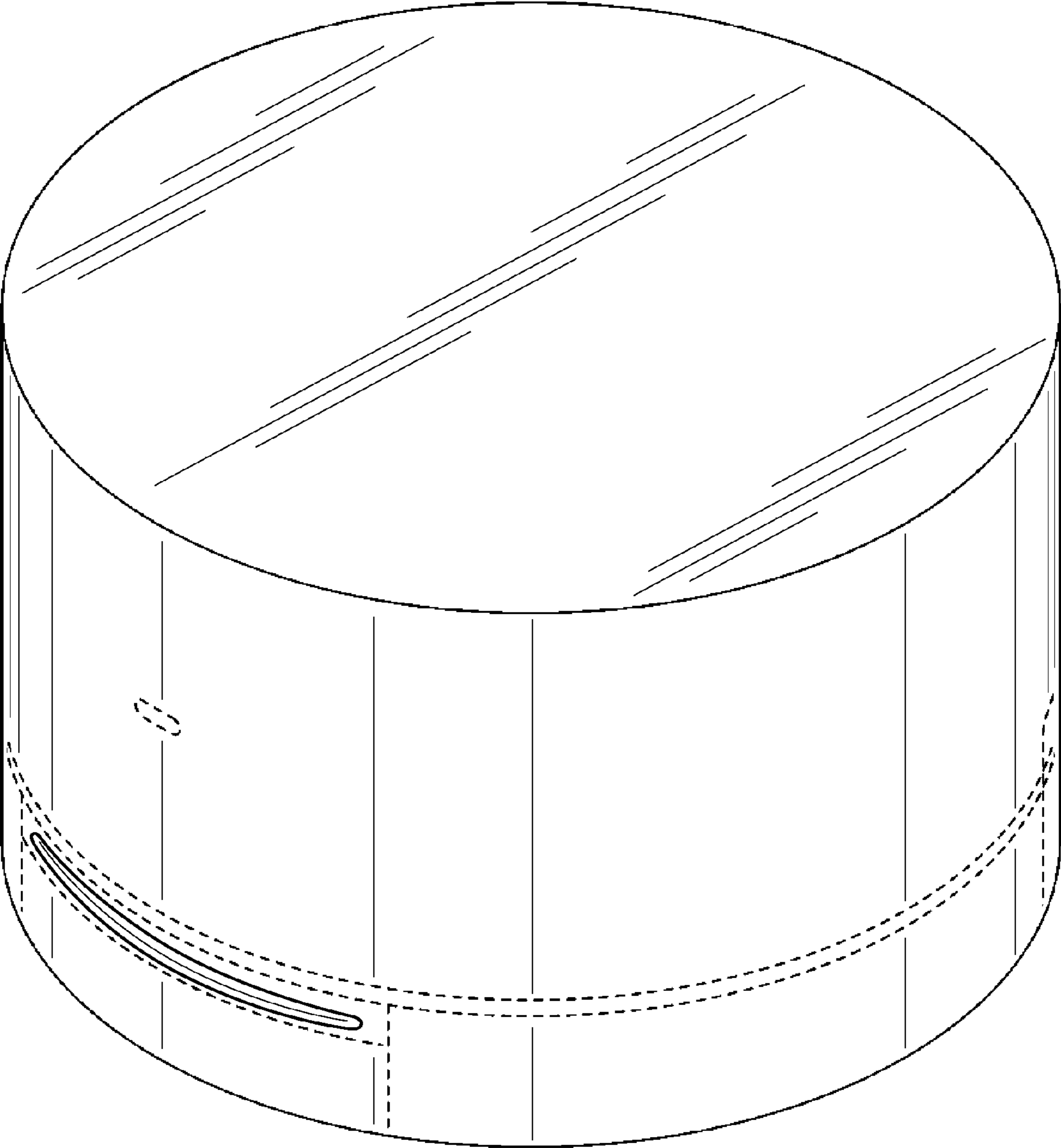


Fig.16

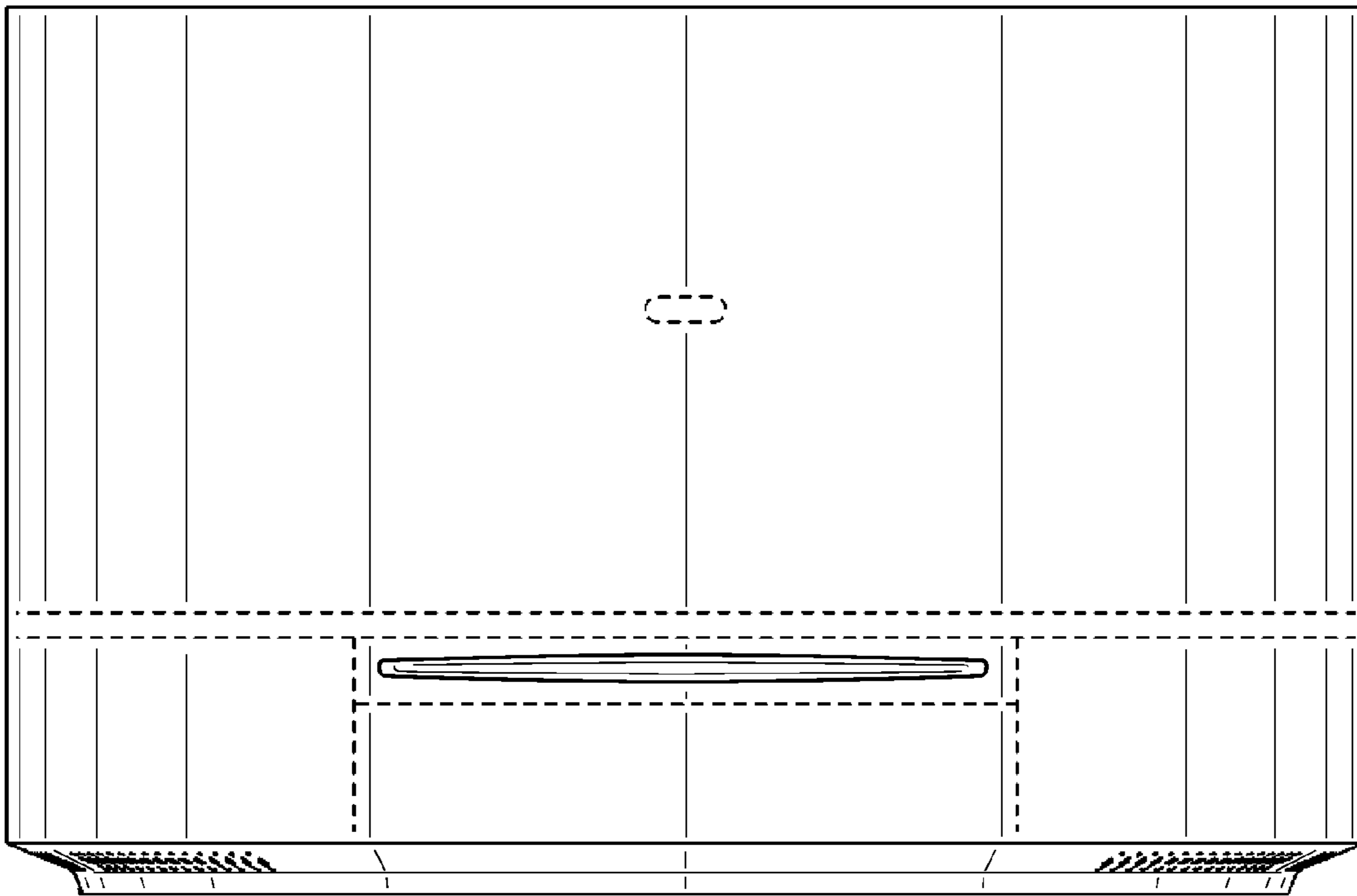


Fig.17

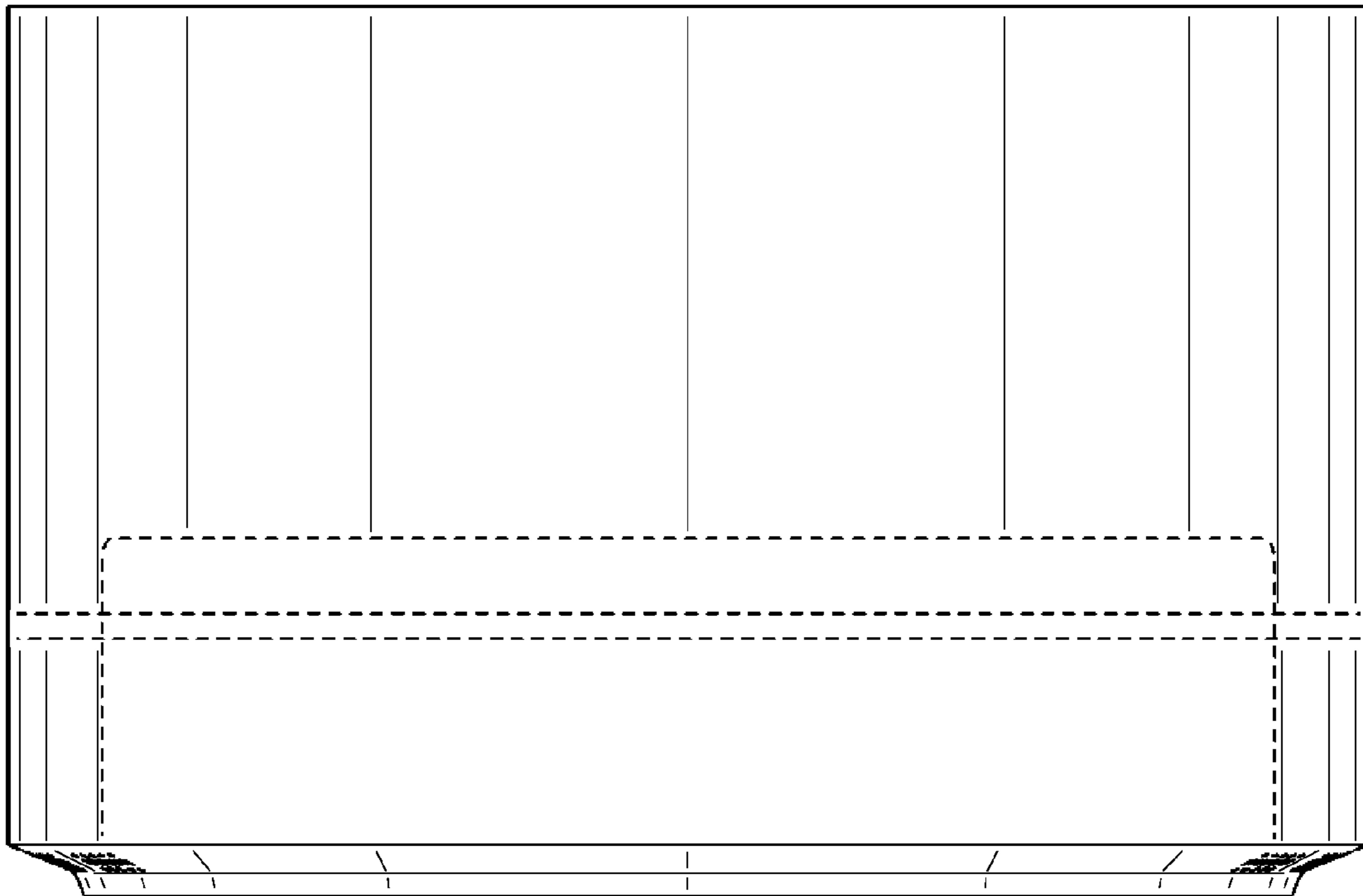


Fig.18

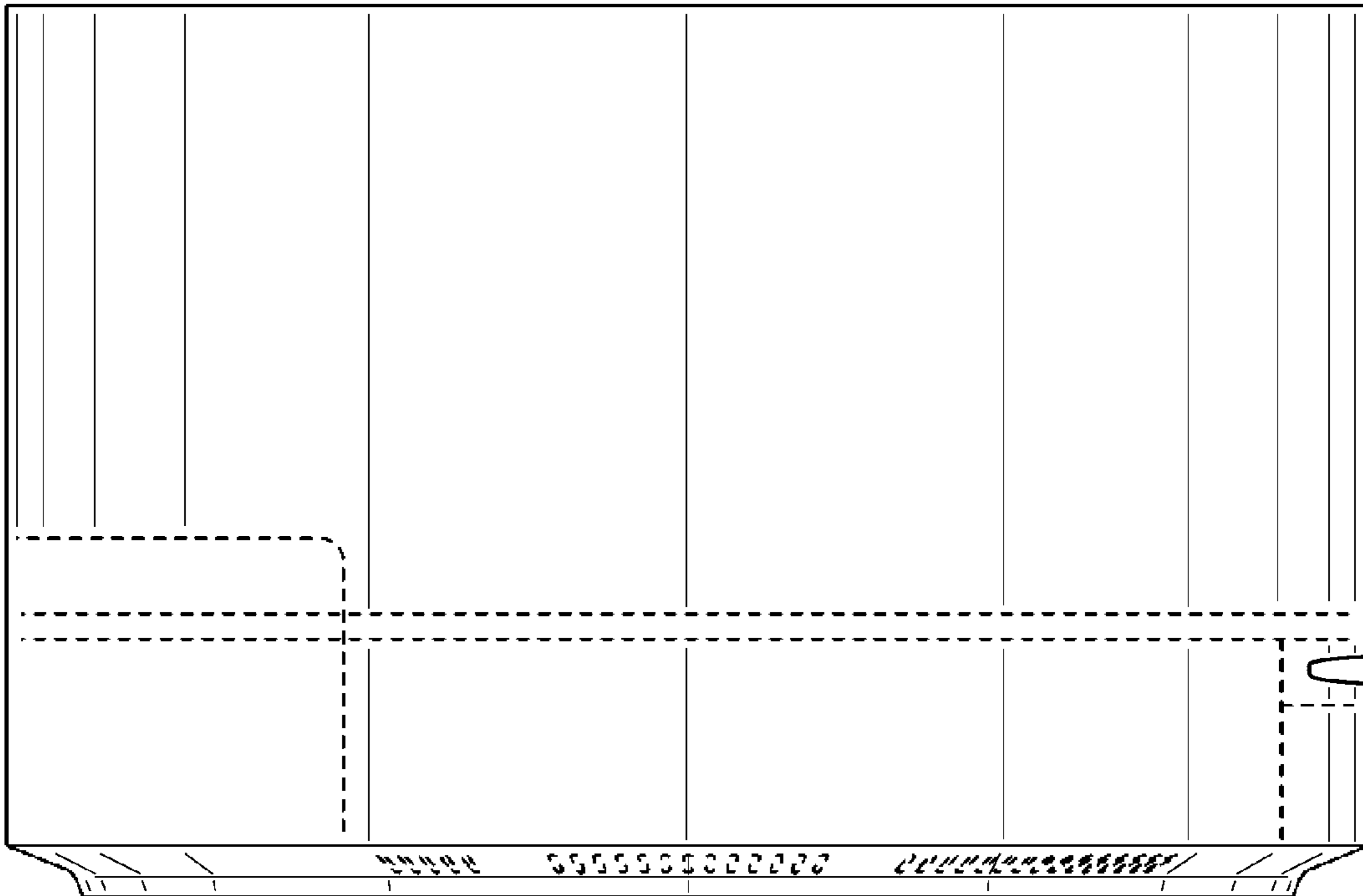


Fig.19

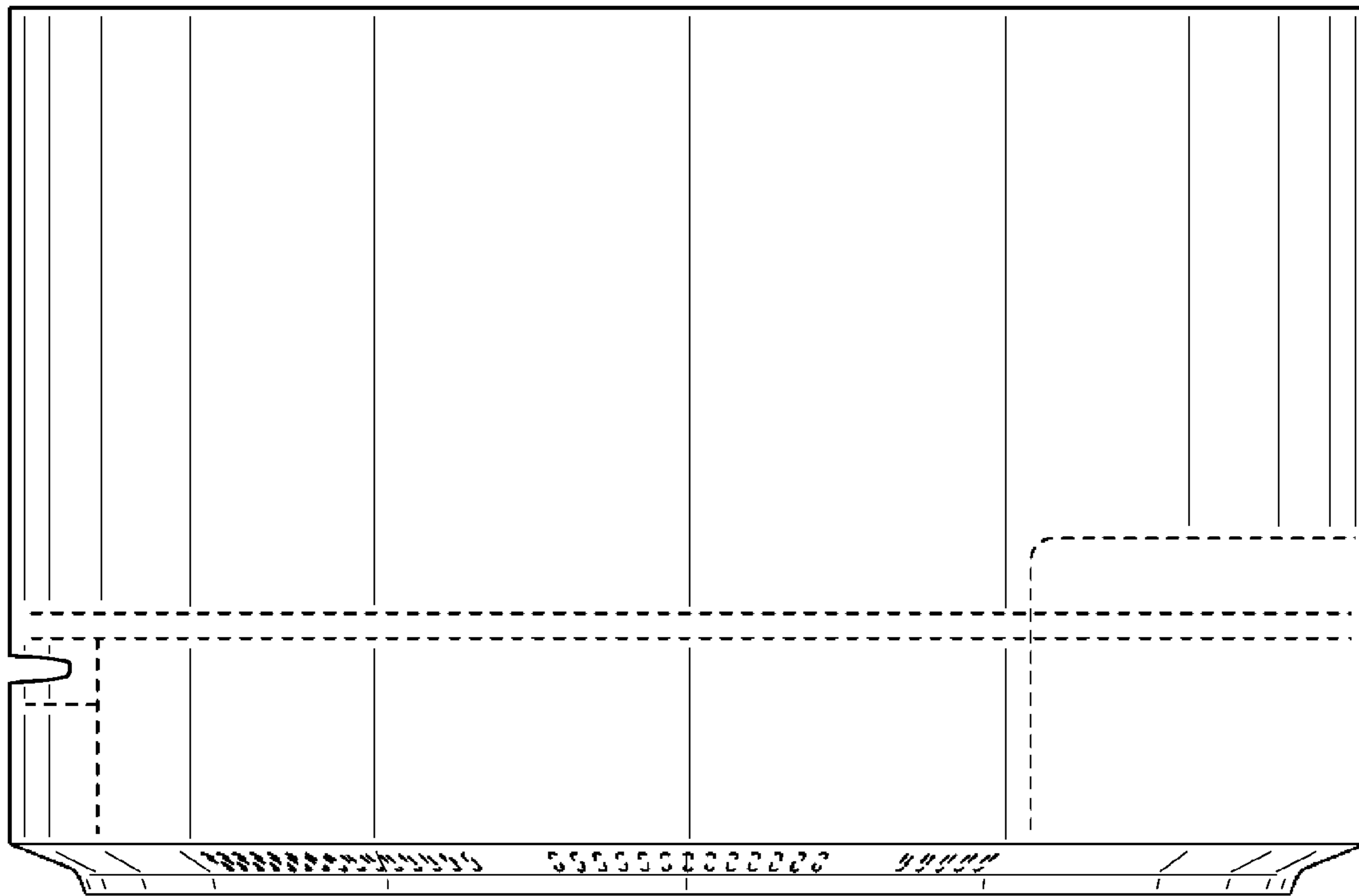


Fig.20

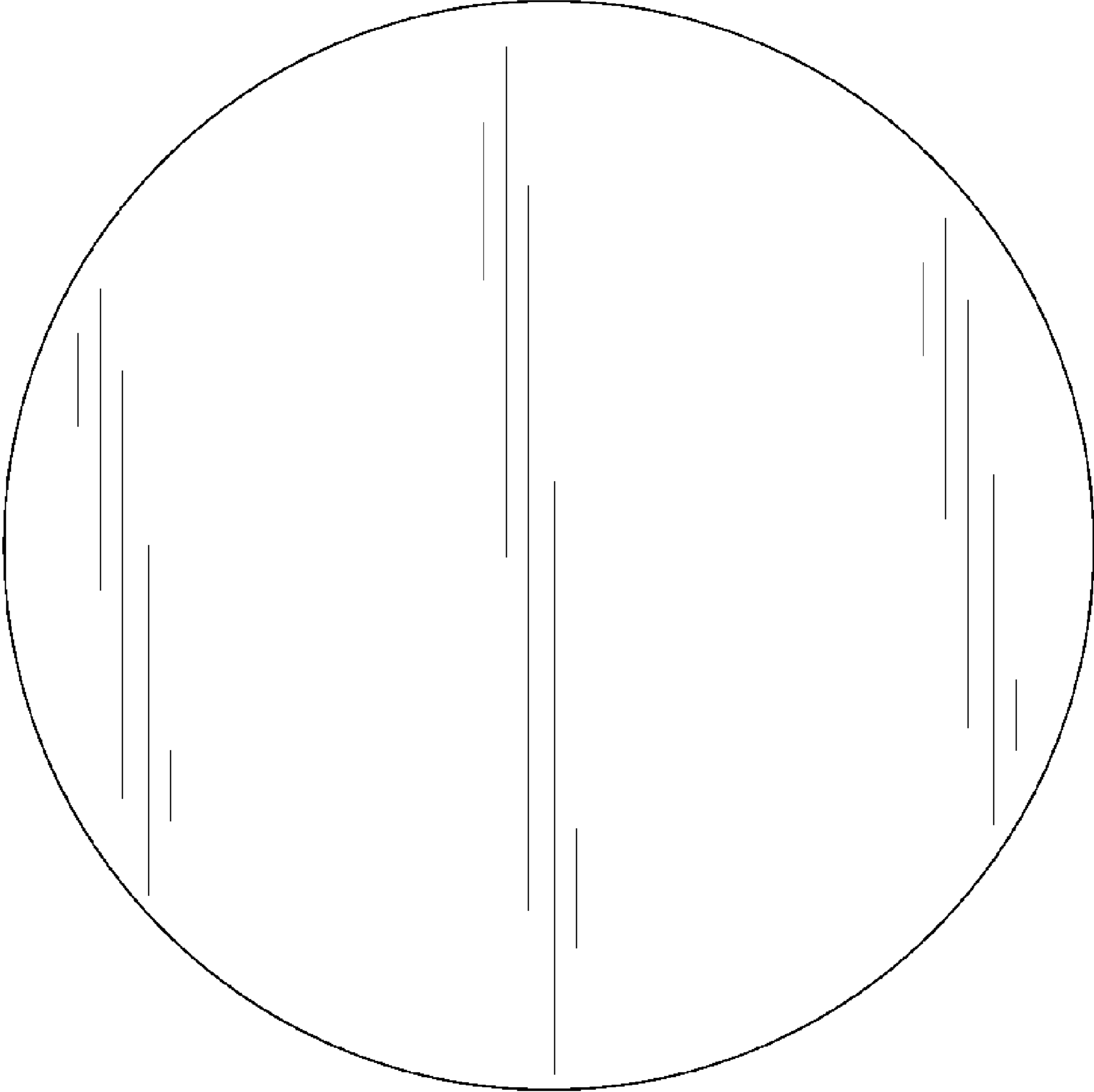


Fig.21

