



US00D590390S

(12) **United States Design Patent**
Musgrave et al.

(10) **Patent No.:** **US D590,390 S**

(45) **Date of Patent:** **** Apr. 14, 2009**

(54) **INFORMATION HANDLING SYSTEM
HOUSING AND SUPPORT STAND**

D514,118 S * 1/2006 Christianson D14/496

* cited by examiner

(75) Inventors: **Kenneth Musgrave**, Austin, TX (US);
Michael Morton, Austin, TX (US);
Brian Leonard, Georgetown, TX (US);
Gadi Amit, San Mateo, CA (US);
Michael Massucco, Oakland, CA (US)

Primary Examiner—Freda S Nunn

(74) *Attorney, Agent, or Firm*—Hamilton & Terrile, LLP;
Robert W. Holland

(73) Assignee: **Dell Products L.P.**, Round Rock, TX
(US)

(57) **CLAIM**

The ornamental design for an information handling system housing and support stand, as shown and described.

(**) Term: **14 Years**

DESCRIPTION

(21) Appl. No.: **29/318,891**

FIG. 1 is a vertical orientation front perspective view of the information handling system housing and support stand comprising the present invention;

(22) Filed: **May 30, 2008**

FIG. 2 is a vertical orientation front view thereof;

(51) **LOC (9) Cl.** **14-02**

FIG. 3 is a vertical orientation left side view thereof;

(52) **U.S. Cl.** **D14/352**

FIG. 4 is a vertical orientation back view thereof;

(58) **Field of Classification Search** D14/349–356,

FIG. 5 is a vertical orientation top plan view thereof;

D14/368, 496; D13/162, 184, 199; D6/432,

FIG. 6 is a vertical orientation bottom plan view thereof;

D6/436, 445, 448; 312/223.1–223.3; 360/99.01–99.12;

FIG. 7 is a horizontal orientation front perspective view thereof;

361/680–686, 690–696; 369/34.01, 36.01

See application file for complete search history.

FIG. 8 is a horizontal orientation front view thereof;

(56) **References Cited**

U.S. PATENT DOCUMENTS

D418,490 S *	1/2000	Jobs et al.	D14/351
D429,245 S *	8/2000	Hu	D14/349
D431,822 S *	10/2000	Armstrong et al.	D14/349
D439,248 S *	3/2001	Massaro et al.	D14/349
D456,021 S *	4/2002	Komatsu	D14/349
6,549,397 B1 *	4/2003	Diaz et al.	361/683
D485,268 S *	1/2004	Andre et al.	D14/349
D487,743 S *	3/2004	Kim	D14/349
D490,426 S *	5/2004	Wu	D14/368

FIG. 9 is a horizontal orientation left side view thereof;

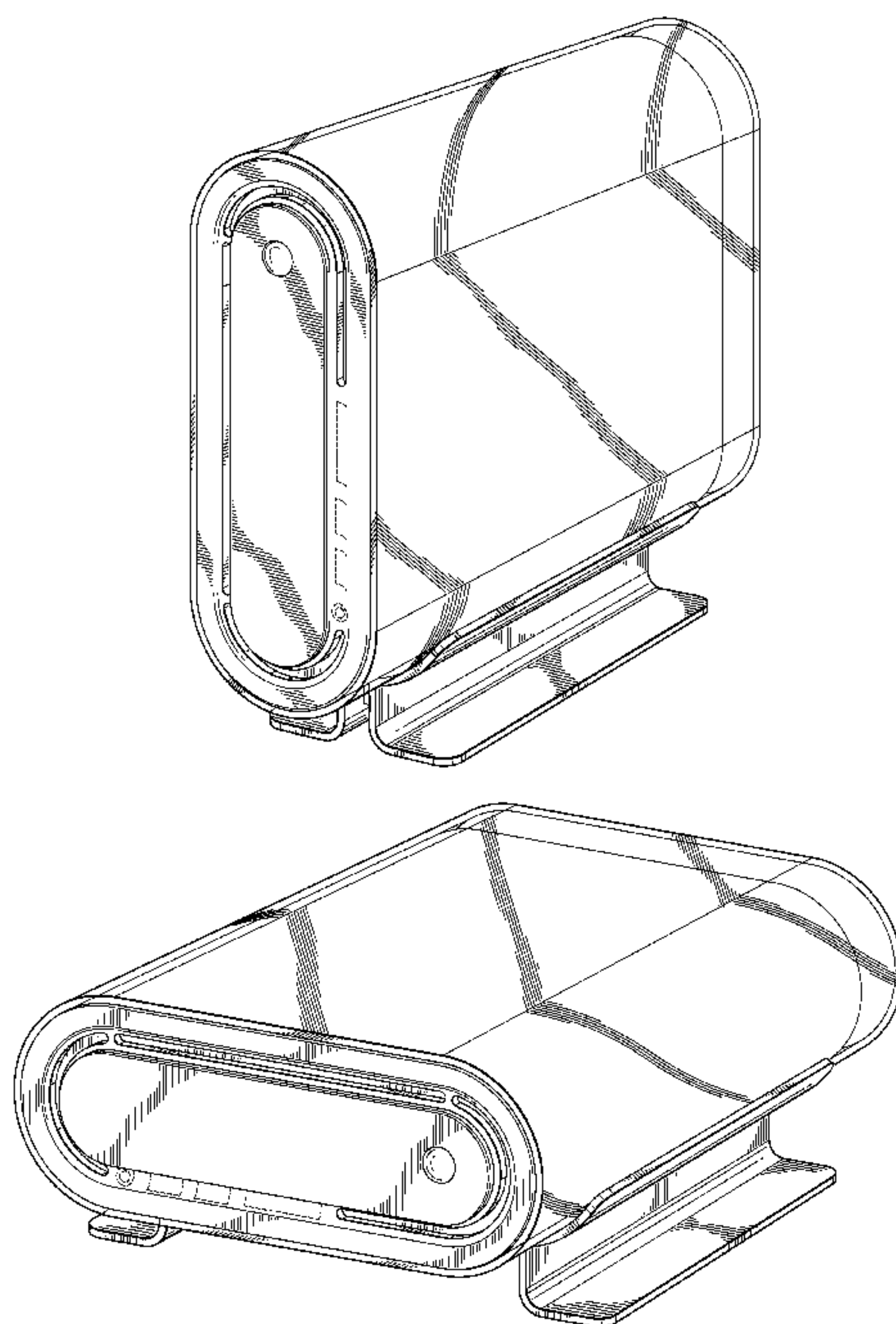
FIG. 10 is a horizontal orientation back view thereof;

FIG. 11 is a horizontal orientation top plan view thereof; and,

FIG. 12 is a horizontal orientation bottom plan view thereof.

Broken lines shown in the drawings illustrate portions of the information handling system housing and support stand, and form no part of the claimed design.

1 Claim, 9 Drawing Sheets



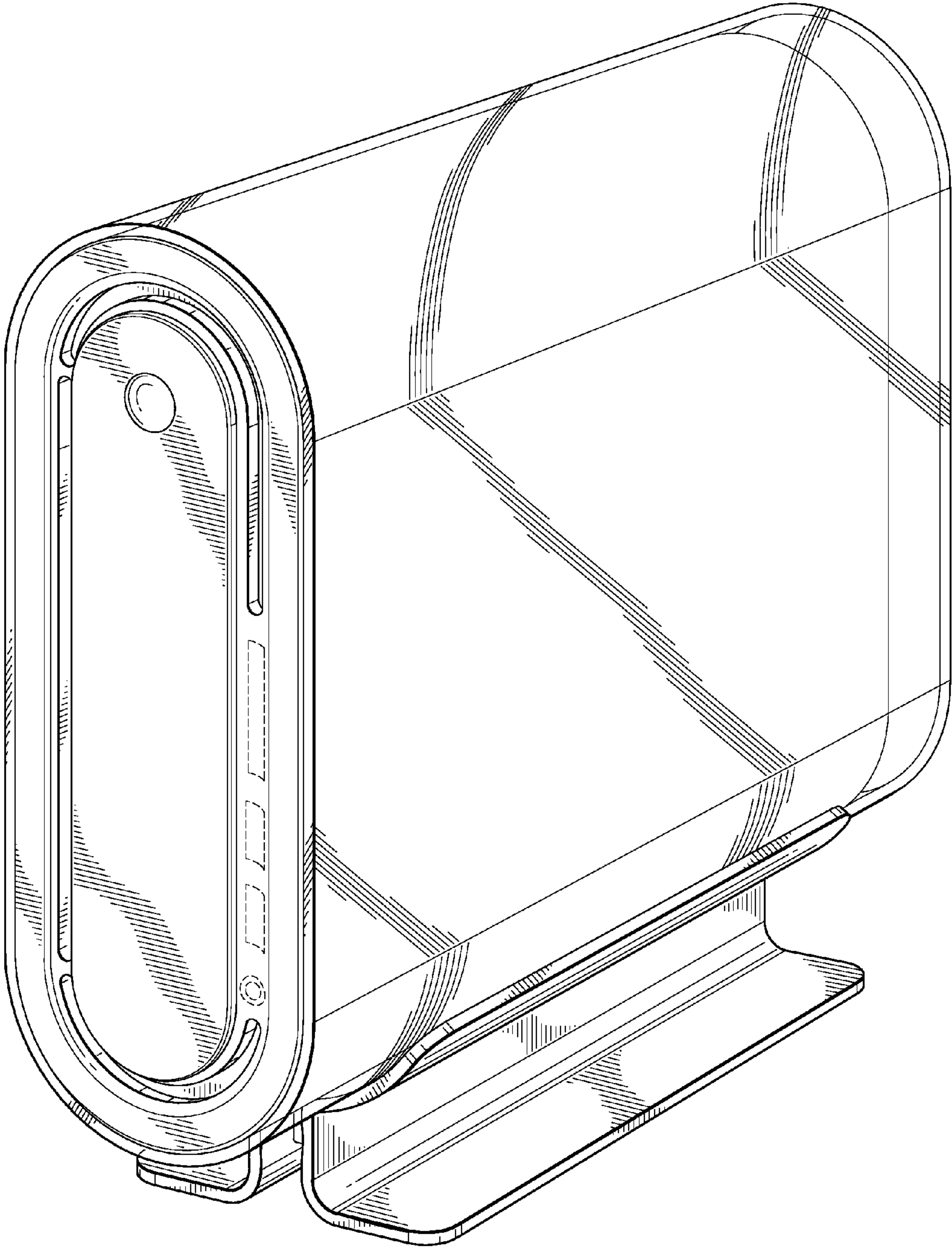


FIG. 1

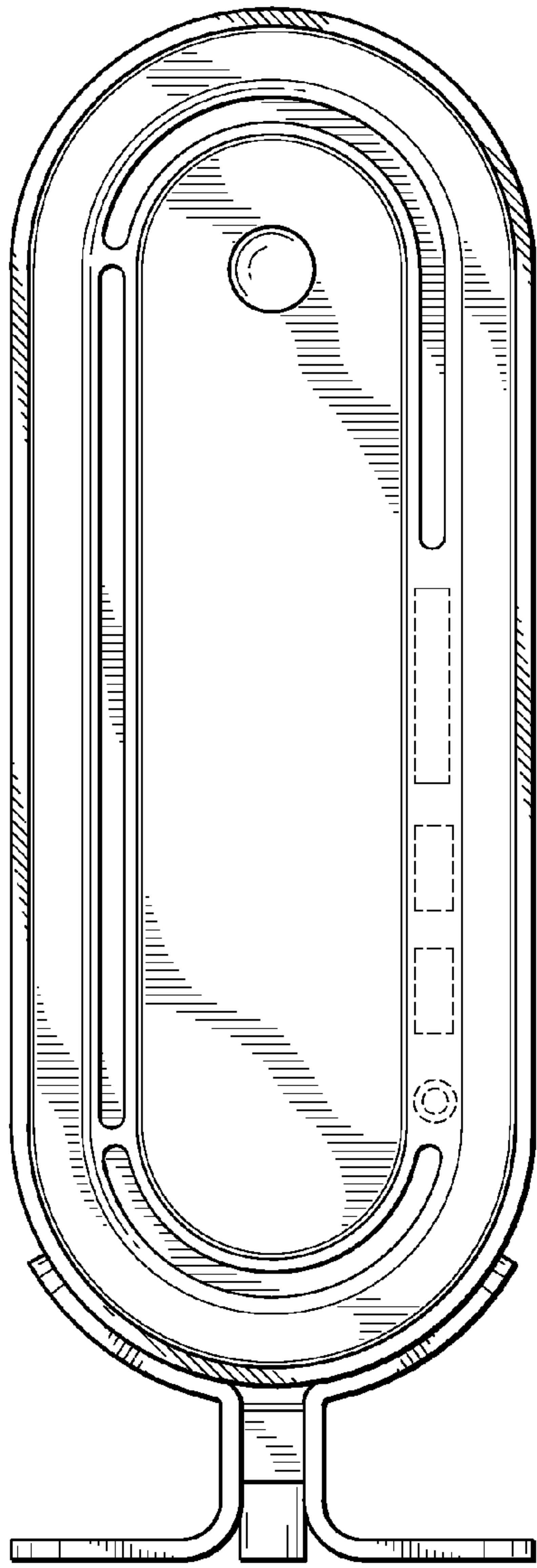


FIG. 2

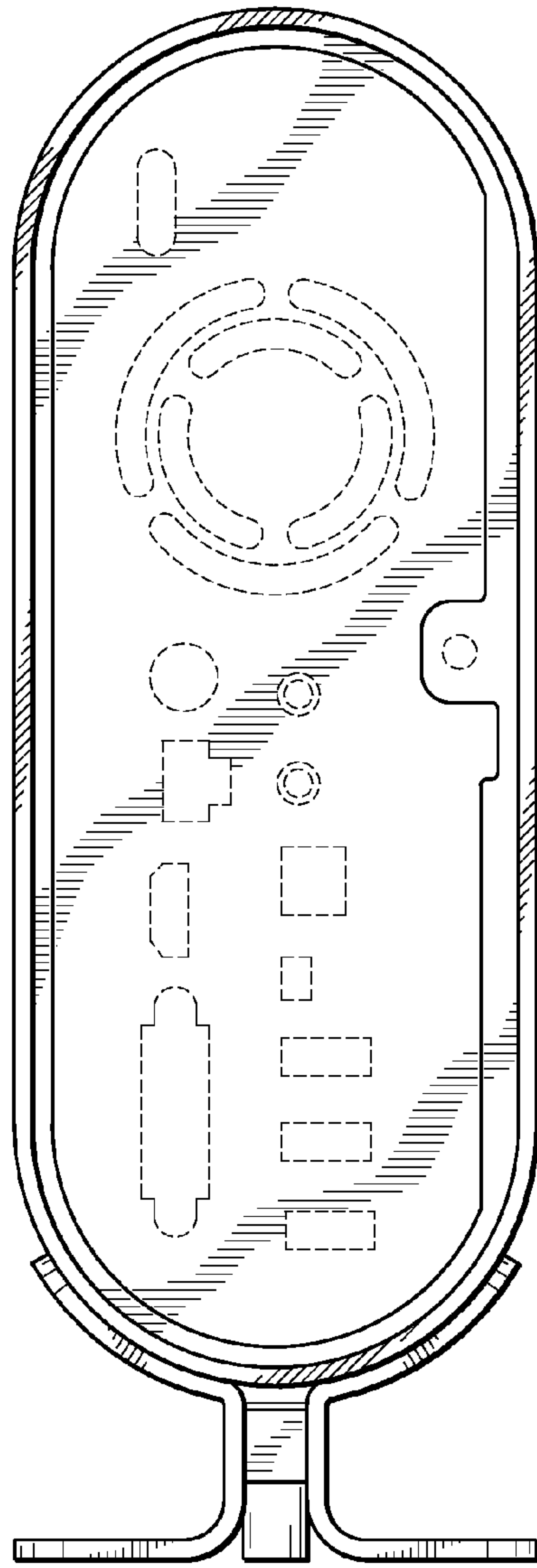


FIG. 4

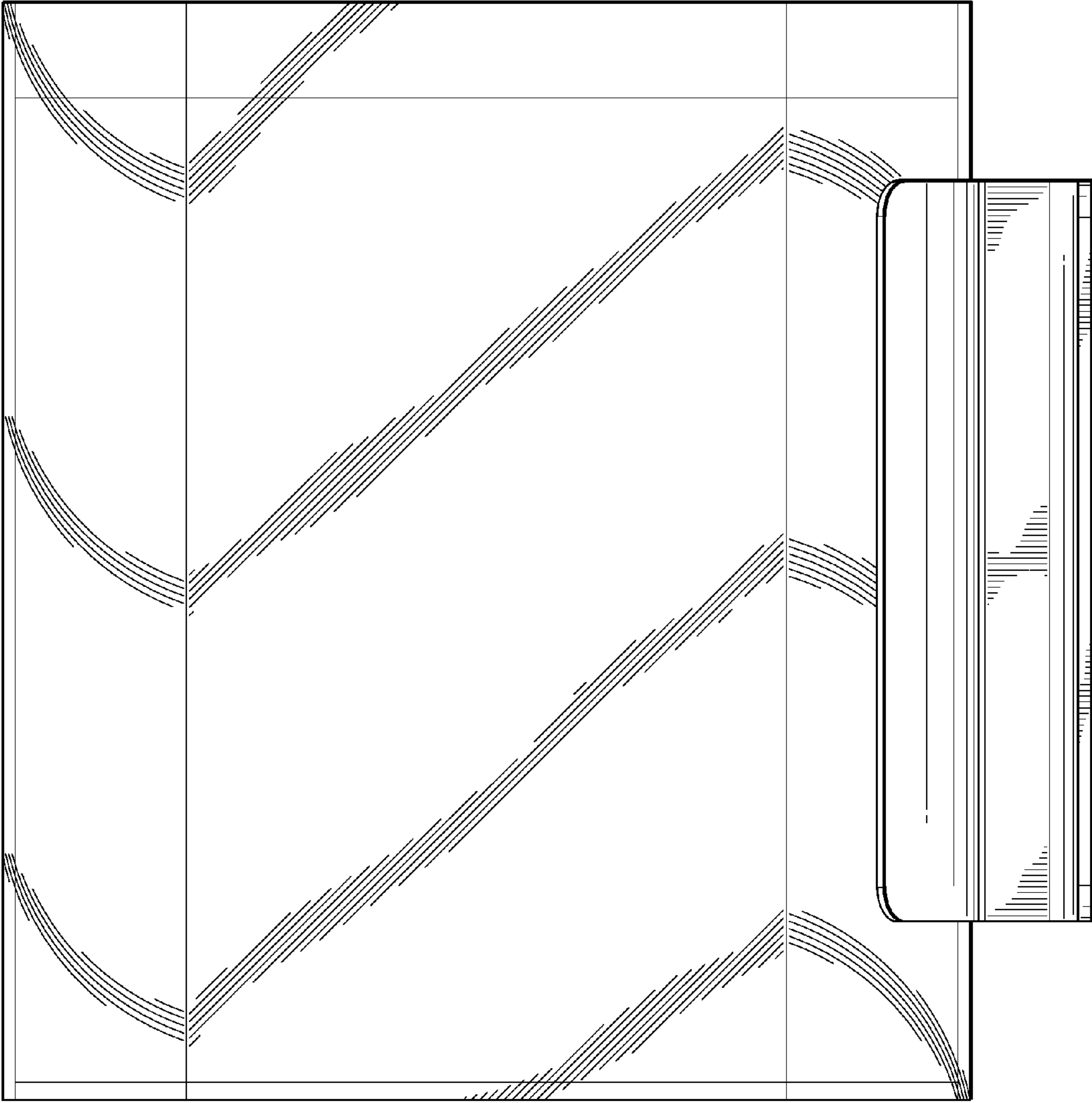


FIG. 3

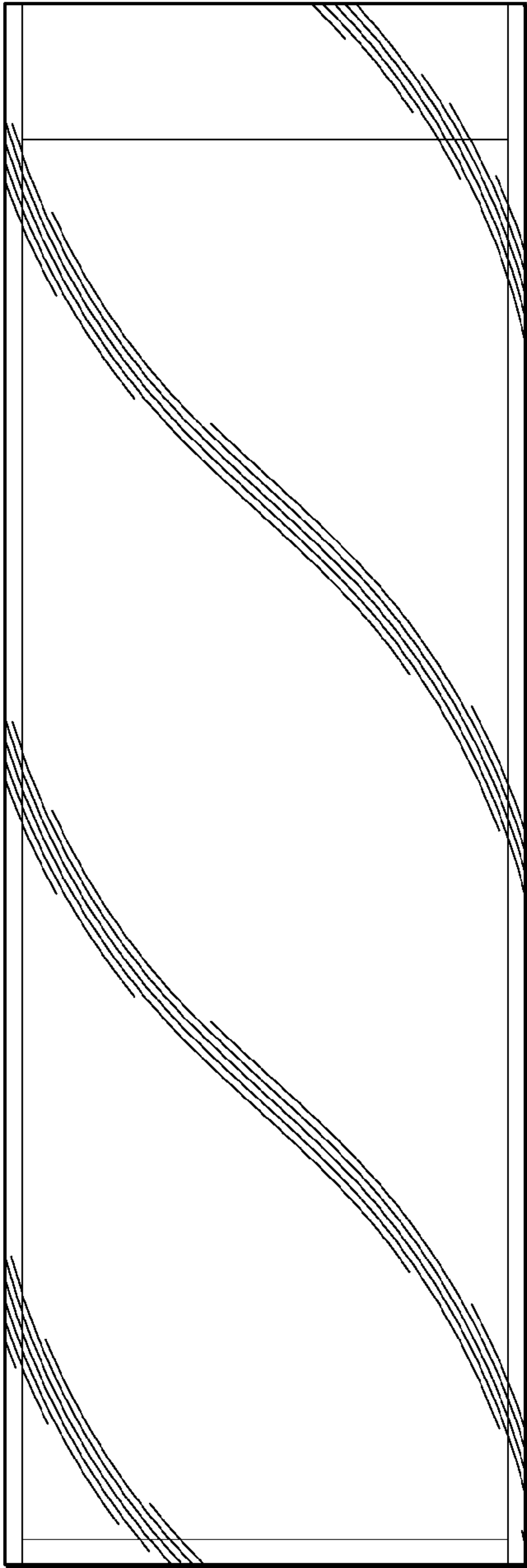


FIG. 5

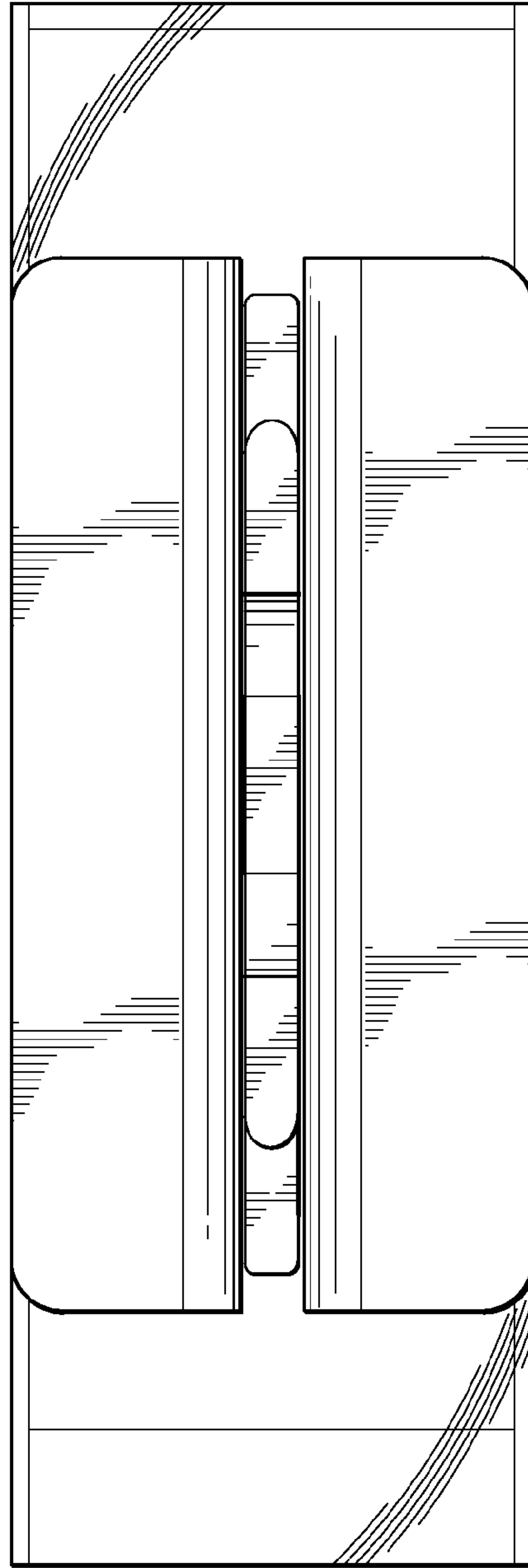


FIG. 6

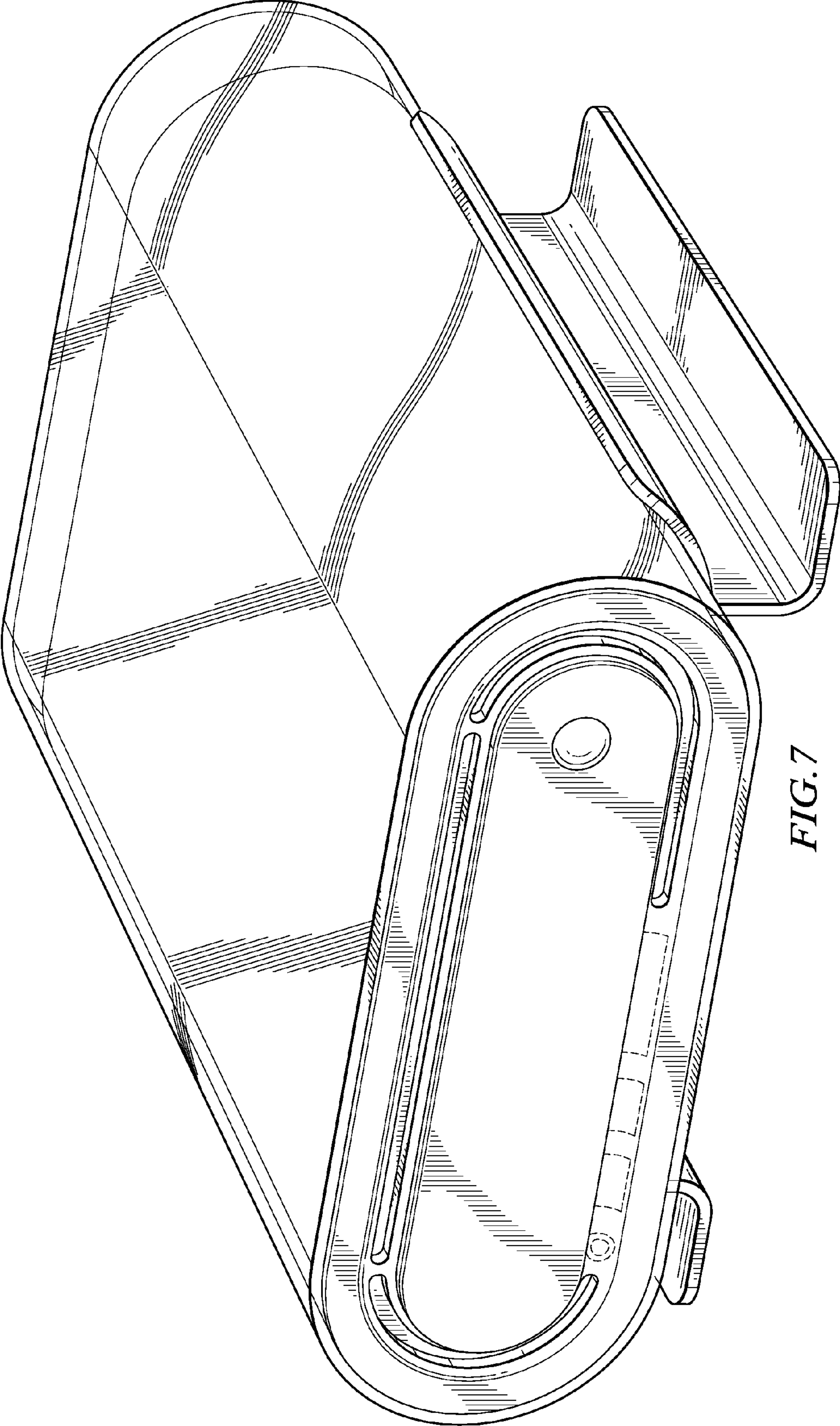


FIG. 7

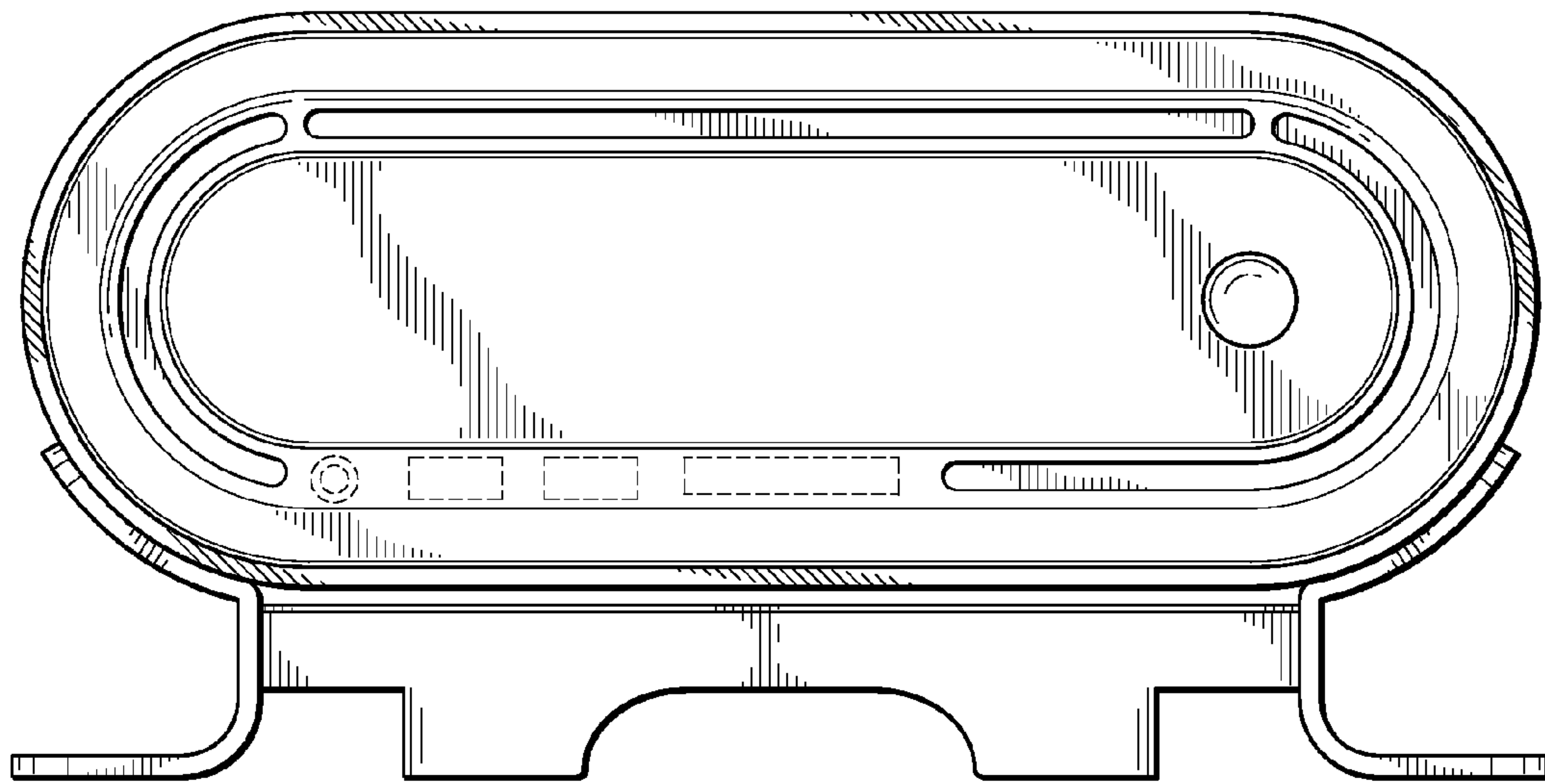


FIG. 8

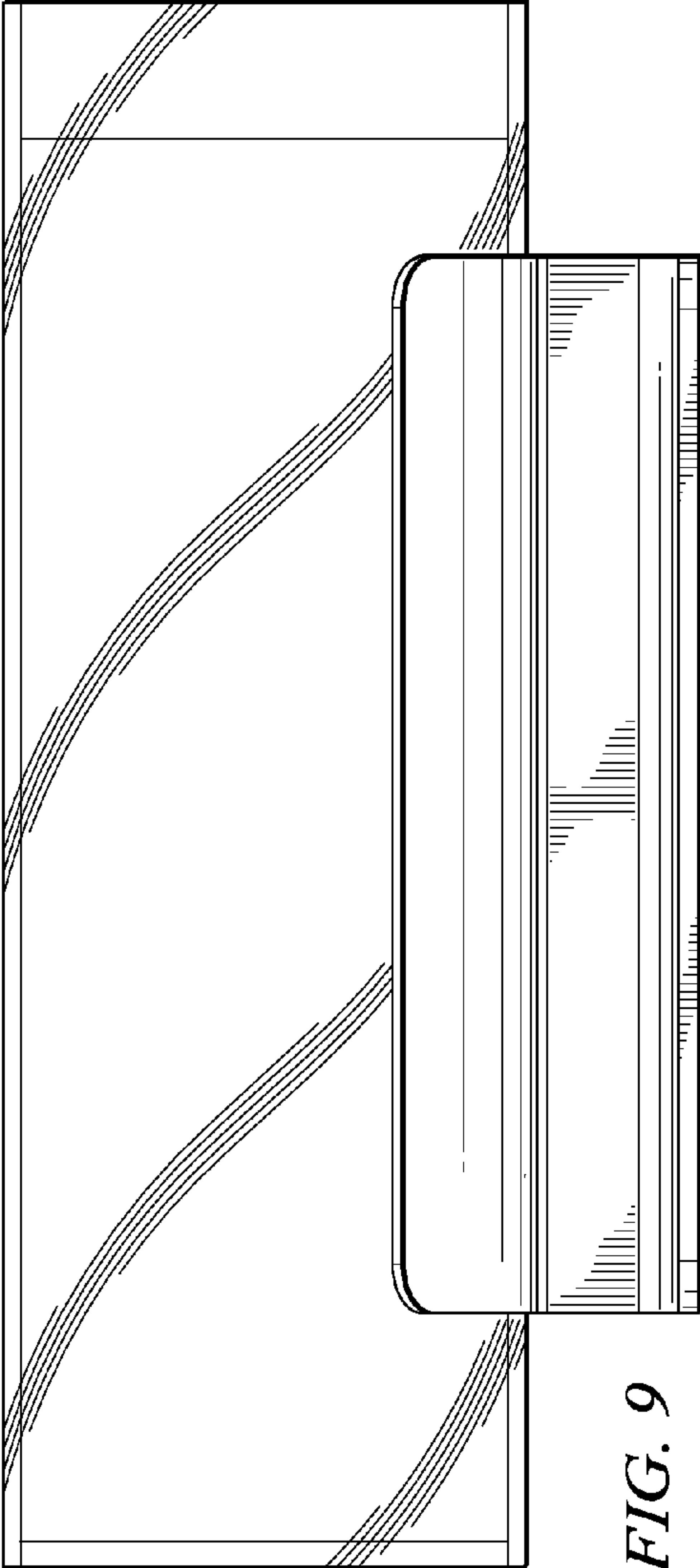


FIG. 9

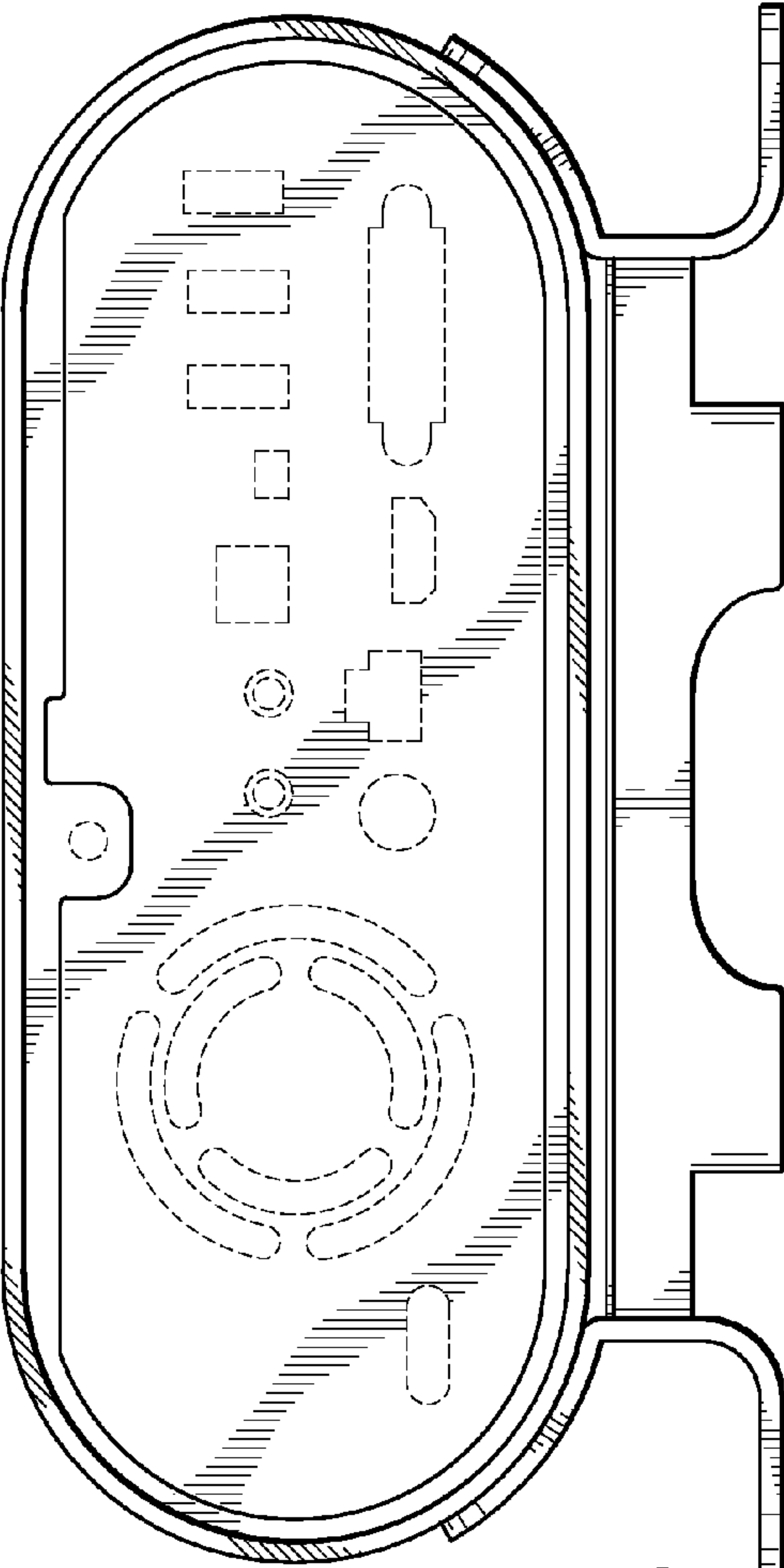


FIG. 10

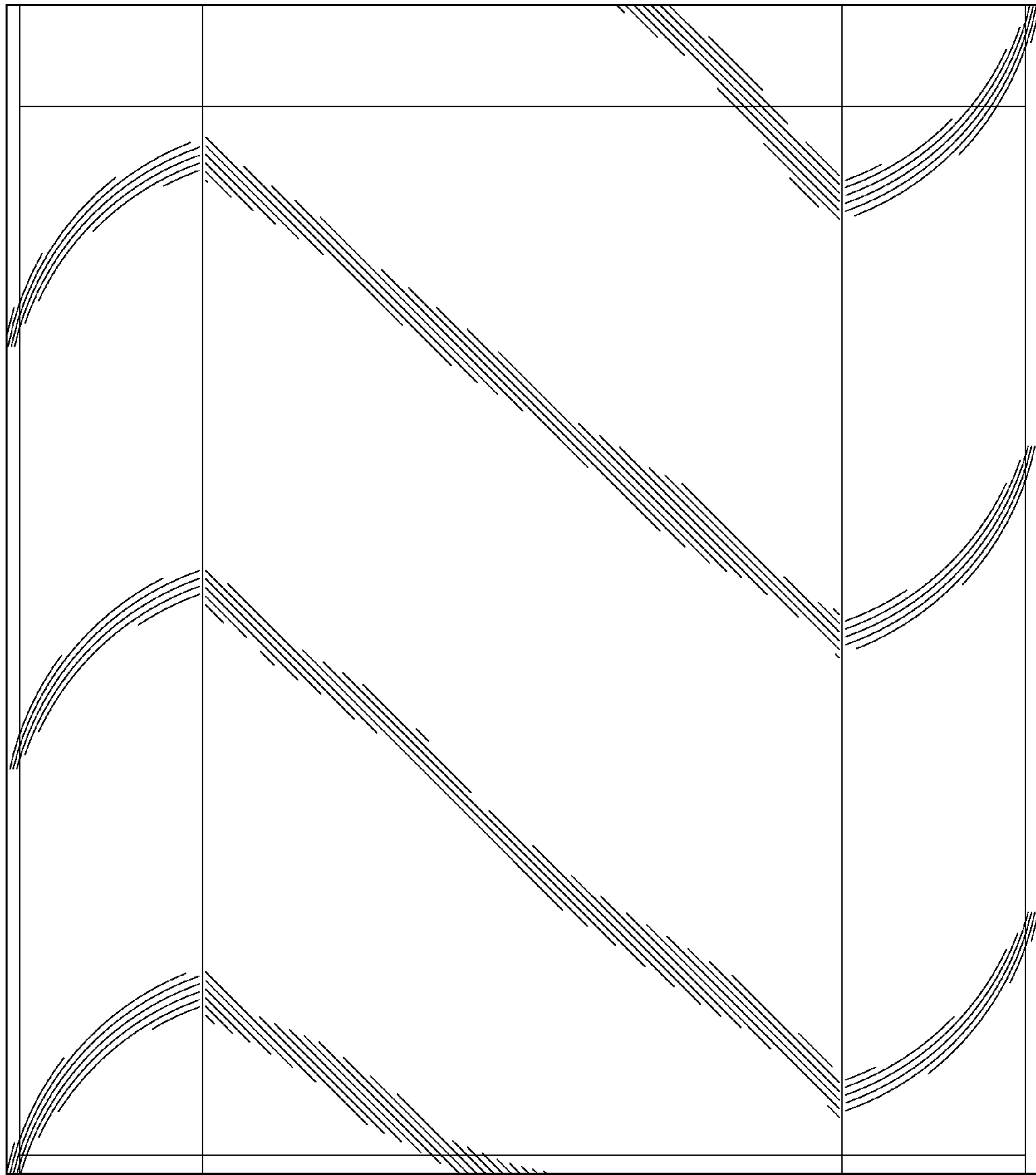


FIG. 11

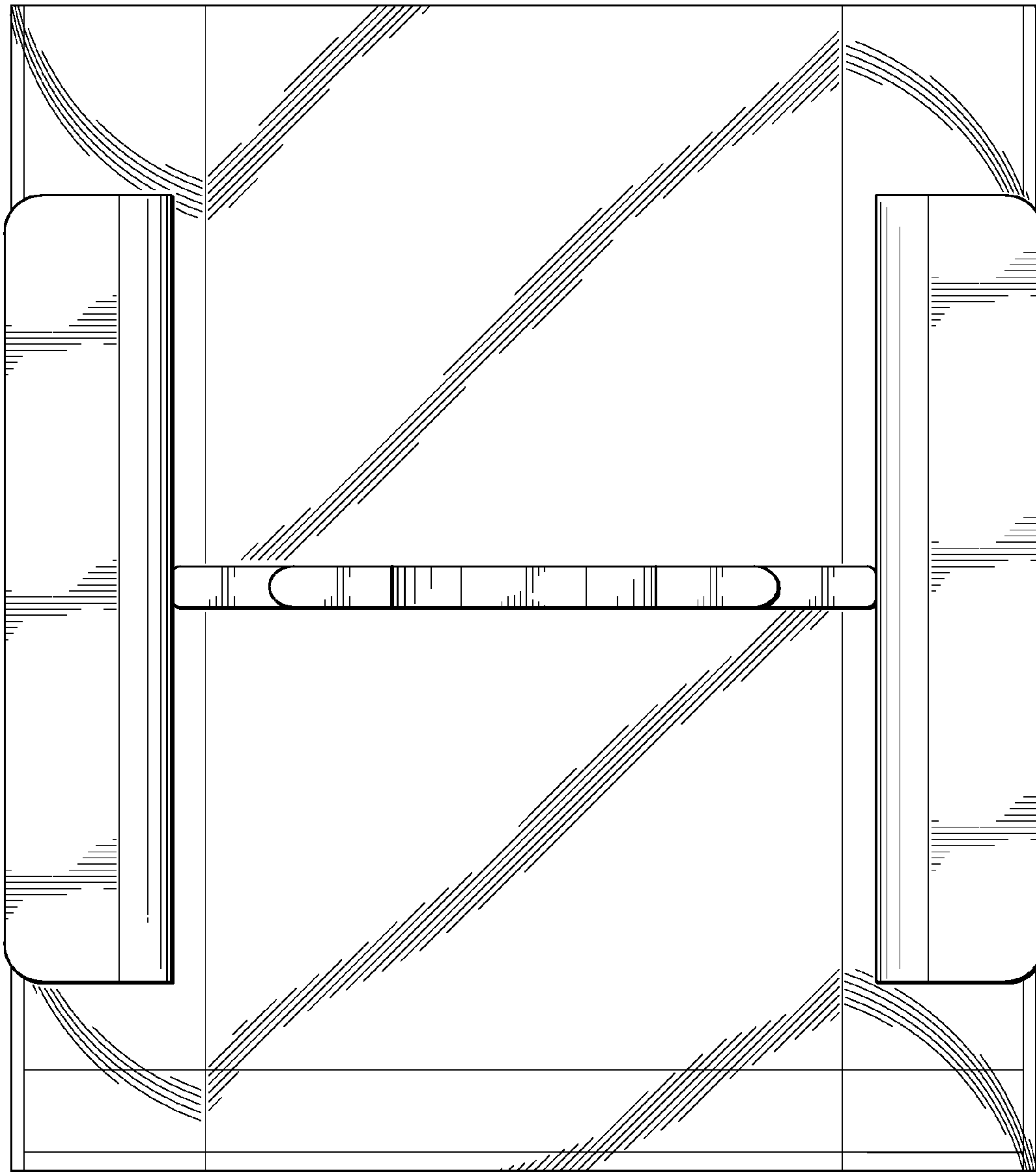


FIG. 12