

US00D590389S

(12) **United States Design Patent**
Musgrave et al.

(10) **Patent No.:** **US D590,389 S**

(45) **Date of Patent:** **** Apr. 14, 2009**

(54) **INFORMATION HANDLING SYSTEM HOUSING**

(75) Inventors: **Kenneth Musgrave**, Austin, TX (US);
Michael Morton, Austin, TX (US);
Brian Leonard, Georgetown, TX (US);
Gadi Amit, San Mateo, CA (US);
Michael Massucco, Oakland, CA (US)

(73) Assignee: **Dell Products L.P.**, Round Rock, TX (US)

(**) Term: **14 Years**

(21) Appl. No.: **29/321,217**

(22) Filed: **Jul. 14, 2008**

(51) **LOC (9) Cl.** **14-02**

(52) **U.S. Cl.** **D14/349; D14/352**

(58) **Field of Classification Search** D14/349–356,
D14/368, 496; D13/162, 184, 199; D6/432,
D6/436, 445, 448; 312/223.1–223.3; 360/99.01–99.12;
361/680–686, 690–696; 369/34.01, 36.01
See application file for complete search history.

(56) **References Cited**

U.S. PATENT DOCUMENTS

D418,490 S * 1/2000 Jobs et al. D14/351
D429,245 S * 8/2000 Hu D14/349
D431,822 S * 10/2000 Armstrong et al. D14/349

D439,248 S * 3/2001 Massaro et al. D14/349
D456,021 S * 4/2002 Komatsu D14/349
6,549,397 B1 * 4/2003 Diaz et al. 361/683
D485,268 S * 1/2004 Andre et al. D14/349
D487,743 S * 3/2004 Kim D14/349
D490,426 S * 5/2004 Wu D14/368
D514,118 S * 1/2006 Christianson D14/496

* cited by examiner

Primary Examiner—Freda S Nunn

(74) *Attorney, Agent, or Firm*—Hamilton & Terrile, LLP;
Robert W. Holland

(57) **CLAIM**

The ornamental design for information handling system housing, as shown and described.

DESCRIPTION

FIG. 1 is a front perspective view of the information handling system housing comprising the present invention;

FIG. 2 is a front view thereof;

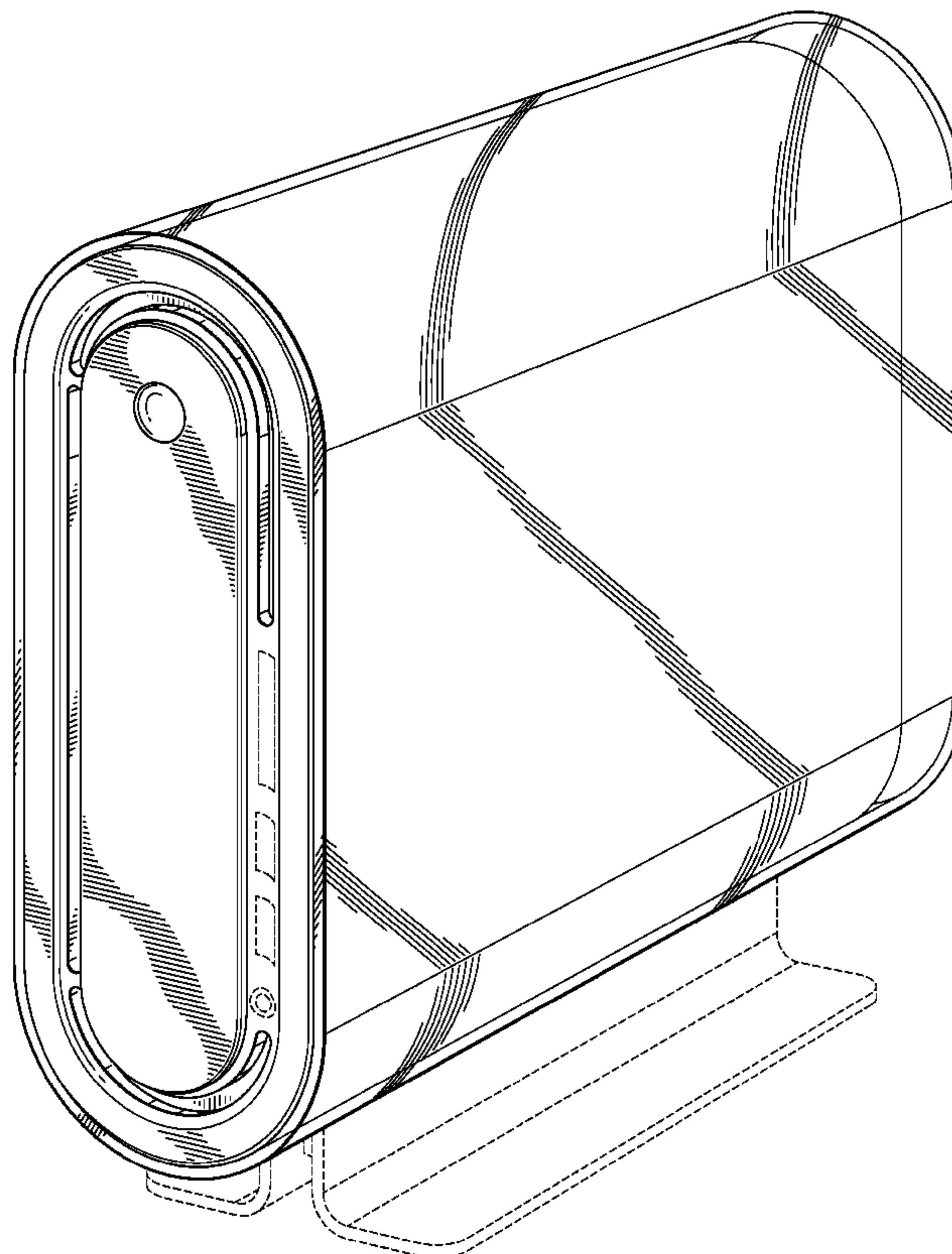
FIG. 3 is a left side view thereof;

FIG. 4 is a back view thereof; and,

FIG. 5 is a top plan view thereof.

Broken lines shown in the drawings illustrate portions of the information handling system housing, and form no part of the claimed design.

1 Claim, 4 Drawing Sheets



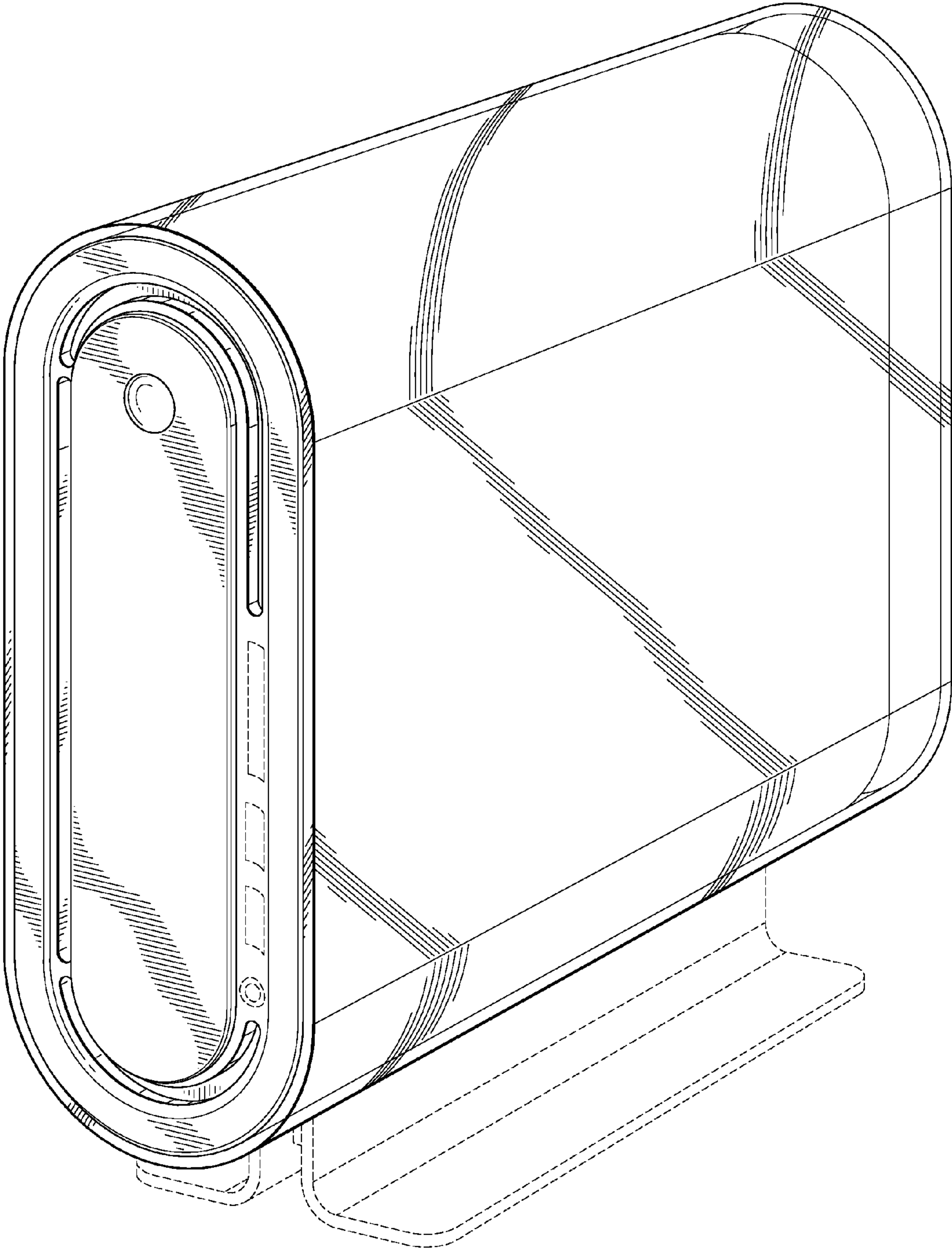


FIG. 1

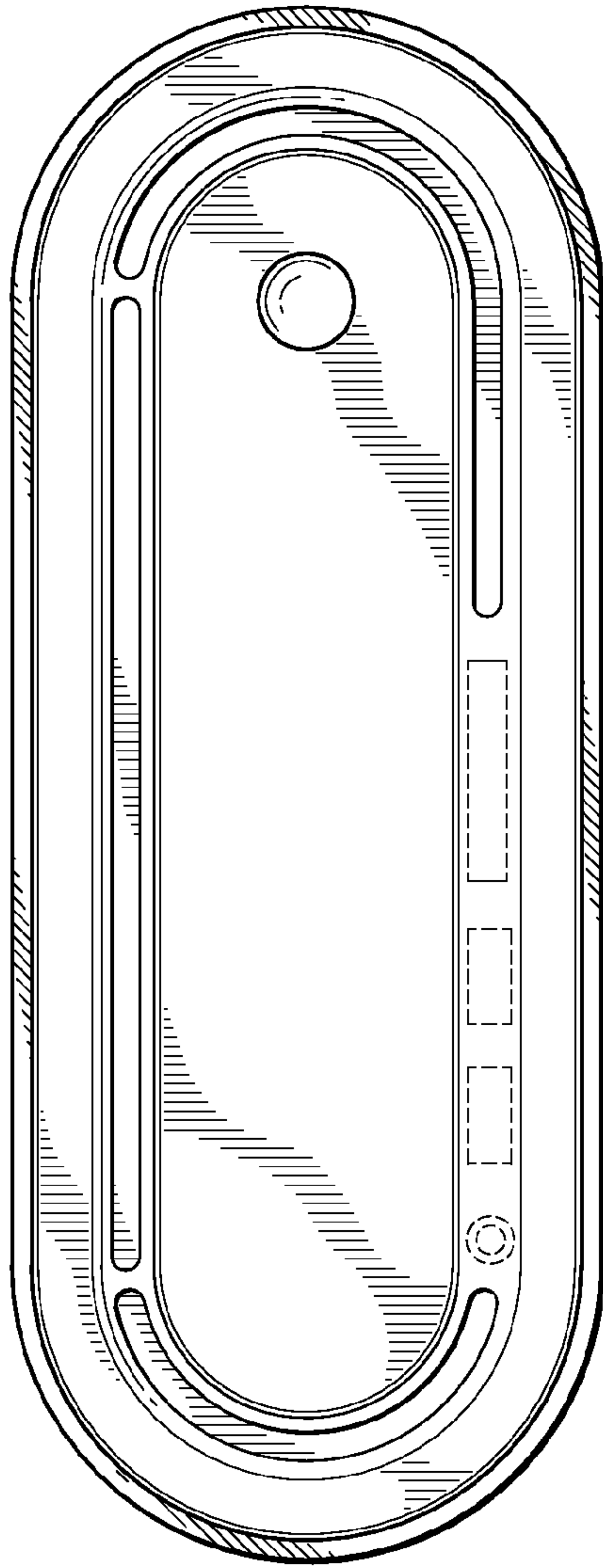


FIG. 2

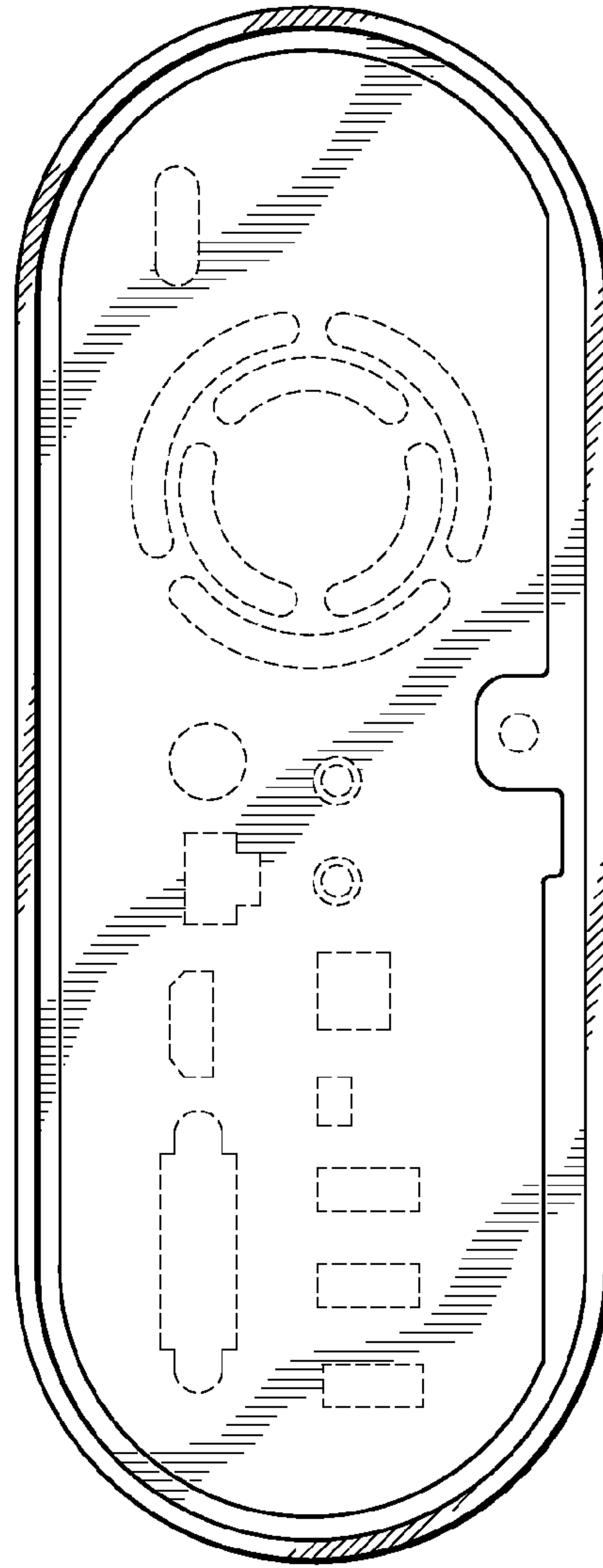


FIG. 4

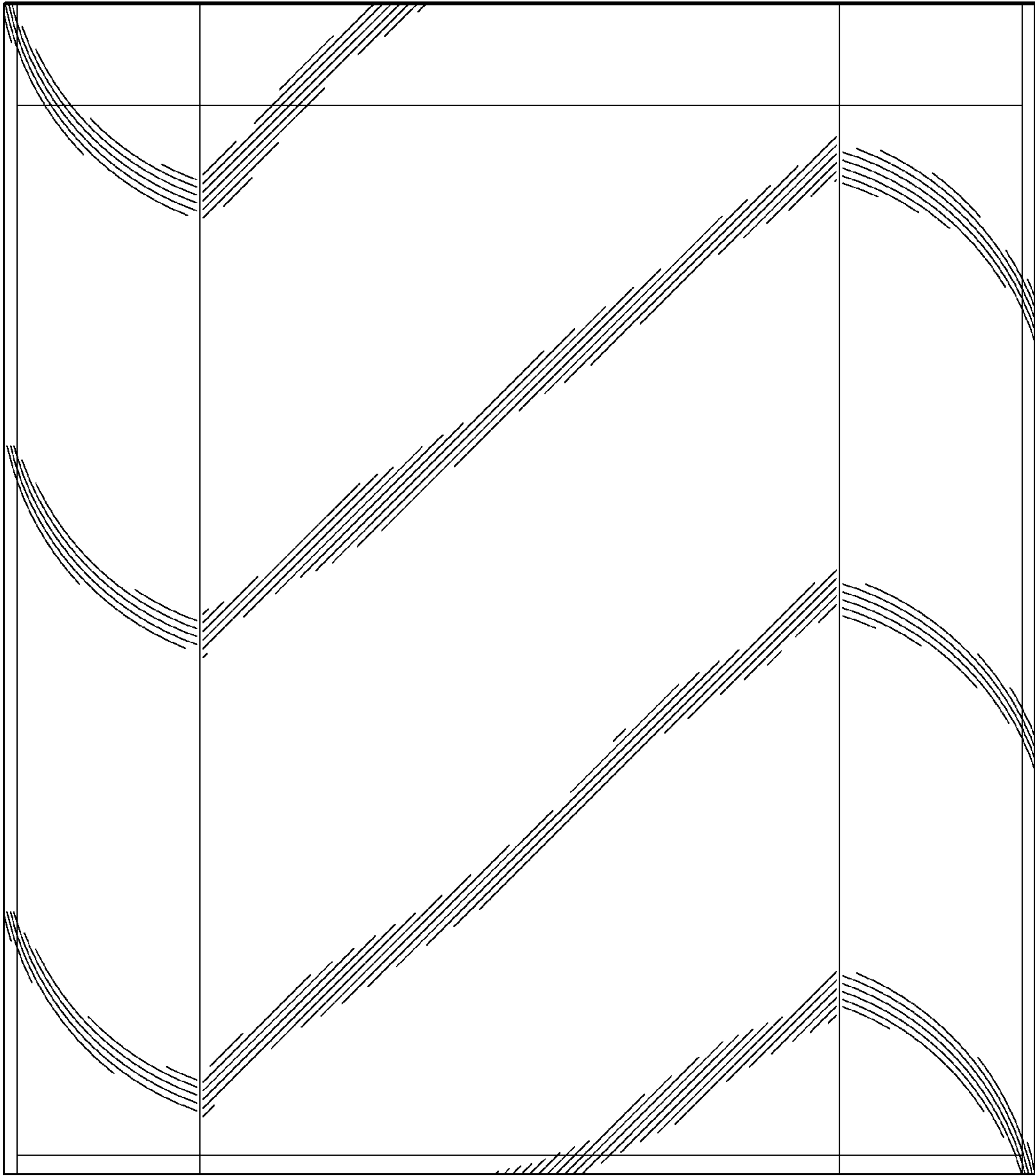


FIG. 3

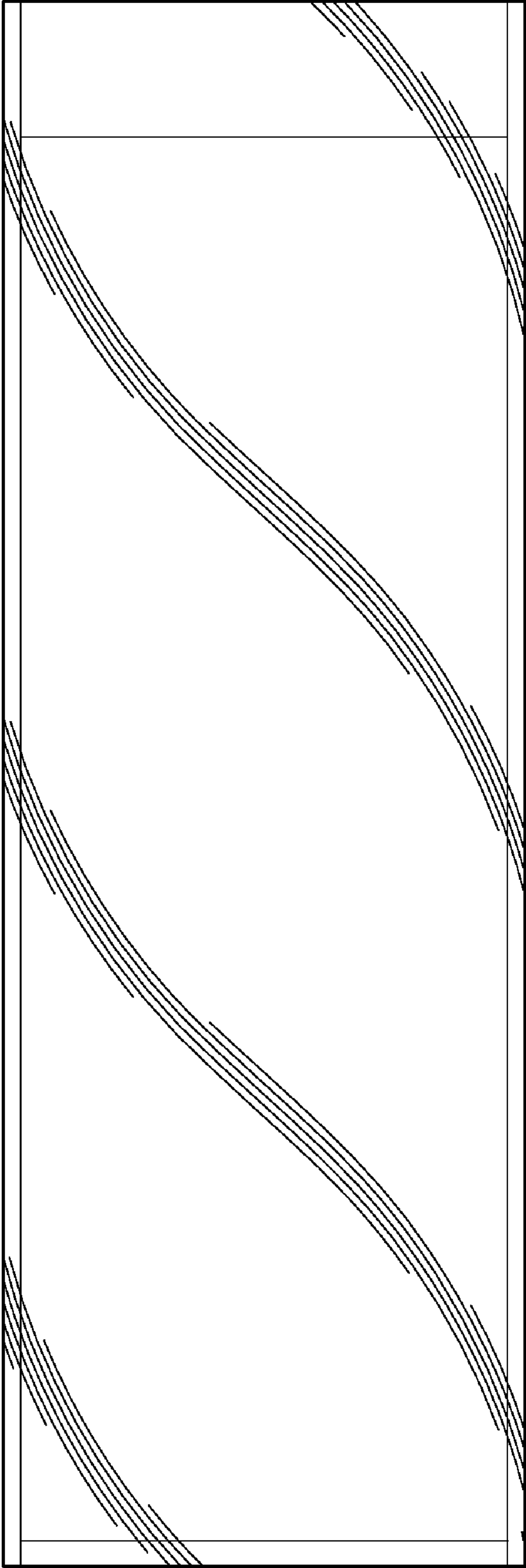


FIG. 5