



US00D590387S

(12) **United States Design Patent**
Chen

(10) **Patent No.:** **US D590,387 S**

(45) **Date of Patent:** **** Apr. 14, 2009**

(54) **KIOSK**

(75) Inventor: **Ieon C. Chen**, Laguna Hills, CA (US)

(73) Assignee: **Innova Electronics Corporation**,
Fountain Valley, CA (US)

(**) Term: **14 Years**

(21) Appl. No.: **29/291,766**

(22) Filed: **Sep. 13, 2007**

(51) **LOC (9) Cl.** **14-02**

(52) **U.S. Cl.** **D14/307**

(58) **Field of Classification Search** D14/302–307,
D14/130, 146, 371, 900, 127, 129; D13/163;
D20/10; D21/324, 325, 329, 332; D99/28;
D6/396; 194/205, 206; 361/680–687; 312/198
See application file for complete search history.

(56) **References Cited**

U.S. PATENT DOCUMENTS

- D360,764 S * 8/1995 Collins D6/396
- D364,382 S * 11/1995 Yamamoto D14/371
- D415,124 S * 10/1999 Rooyakkers et al. D14/306
- D415,330 S * 10/1999 King D99/28
- D428,864 S * 8/2000 Rooyakkers et al. D14/306
- D436,999 S * 1/2001 Cronley D20/10

- D505,948 S * 6/2005 Vrachan et al. D14/307
- D506,464 S * 6/2005 Vrachan et al. D14/307
- D523,092 S * 6/2006 Karlsson D21/329
- D541,267 S * 4/2007 Sagen et al. D14/307
- D542,052 S * 5/2007 Scholen et al. D6/396
- D563,404 S * 3/2008 Taniho et al. D14/302
- 7,430,114 B2 * 9/2008 Rouleau et al. 361/683

* cited by examiner

Primary Examiner—Cathron C Brooks

Assistant Examiner—Deanna Fluegeman

(74) *Attorney, Agent, or Firm*—Stetina Brunda Garred & Brucker

(57) **CLAIM**

The ornamental design for a kiosk, as shown and described.

DESCRIPTION

FIG. 1 is a front prospective view of the invention;

FIG. 2 is a top view of the invention;

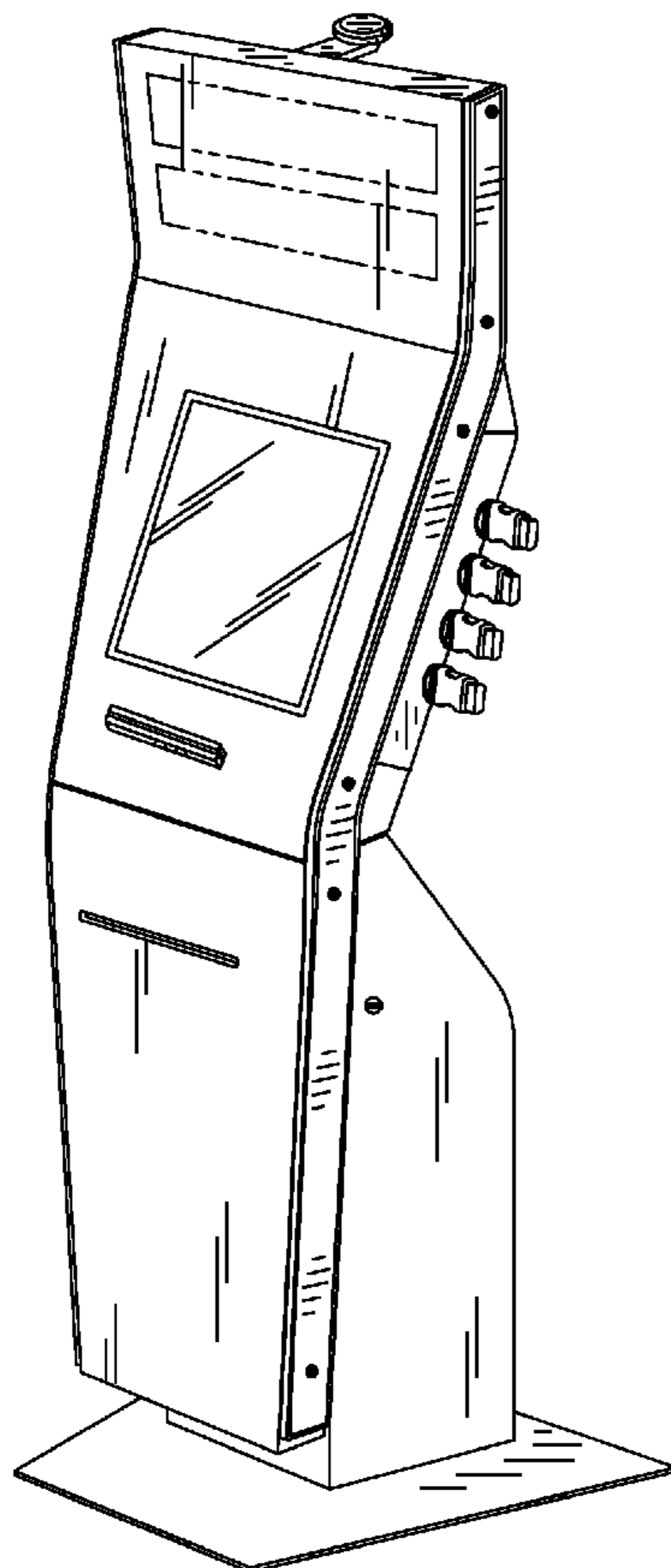
FIG. 3 is a front view of the invention;

FIG. 4 is a bottom view of the invention;

FIG. 5 is a rear view of the invention; and,

FIG. 6 is a side view of the invention.

1 Claim, 2 Drawing Sheets



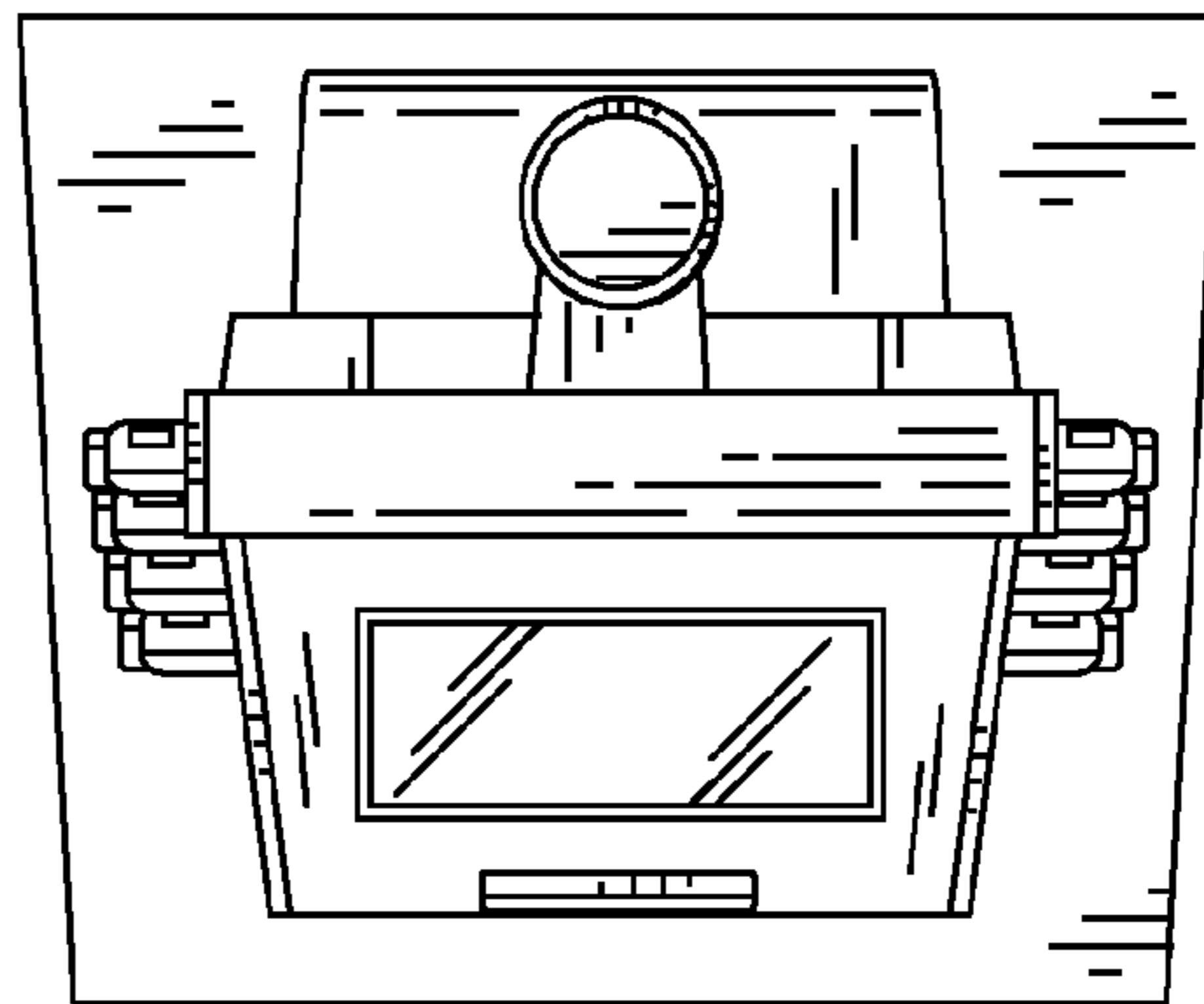


Fig. 2

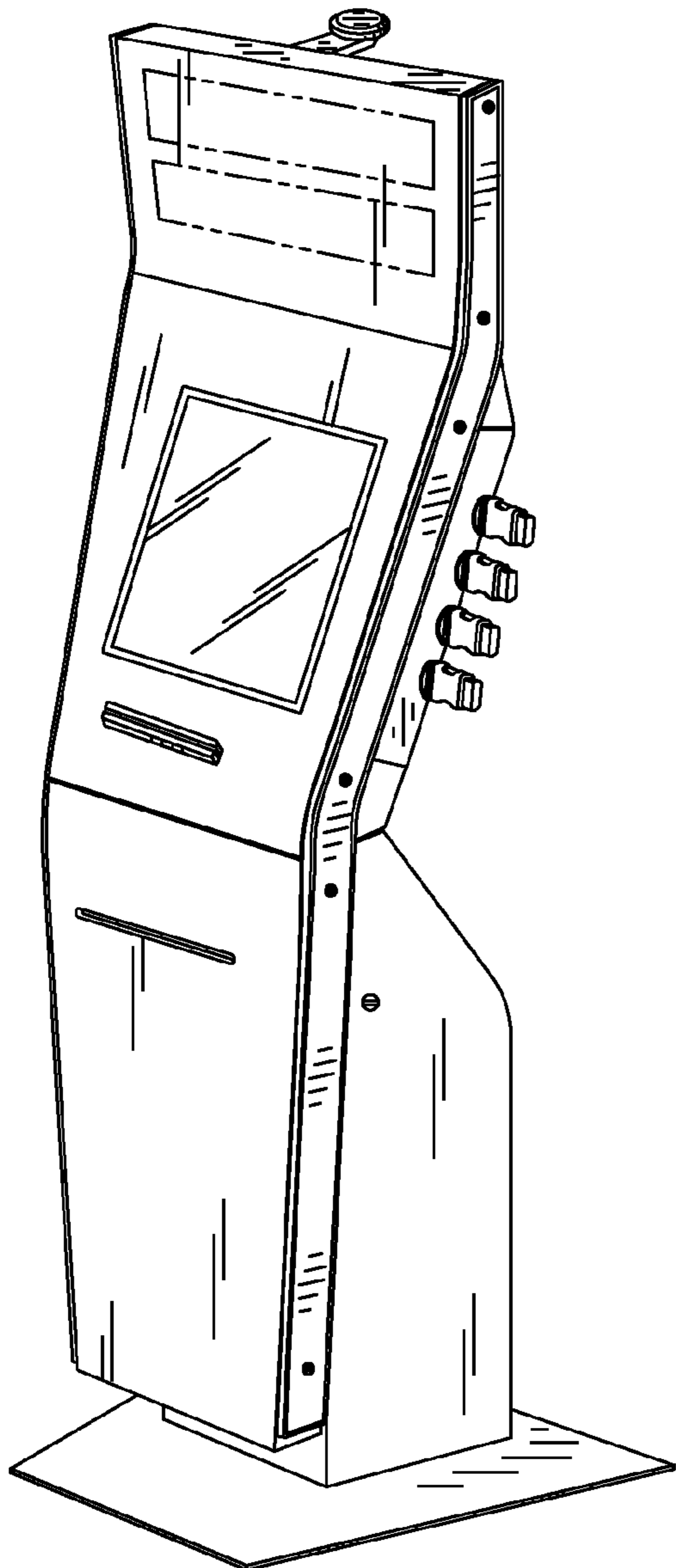


Fig. 1

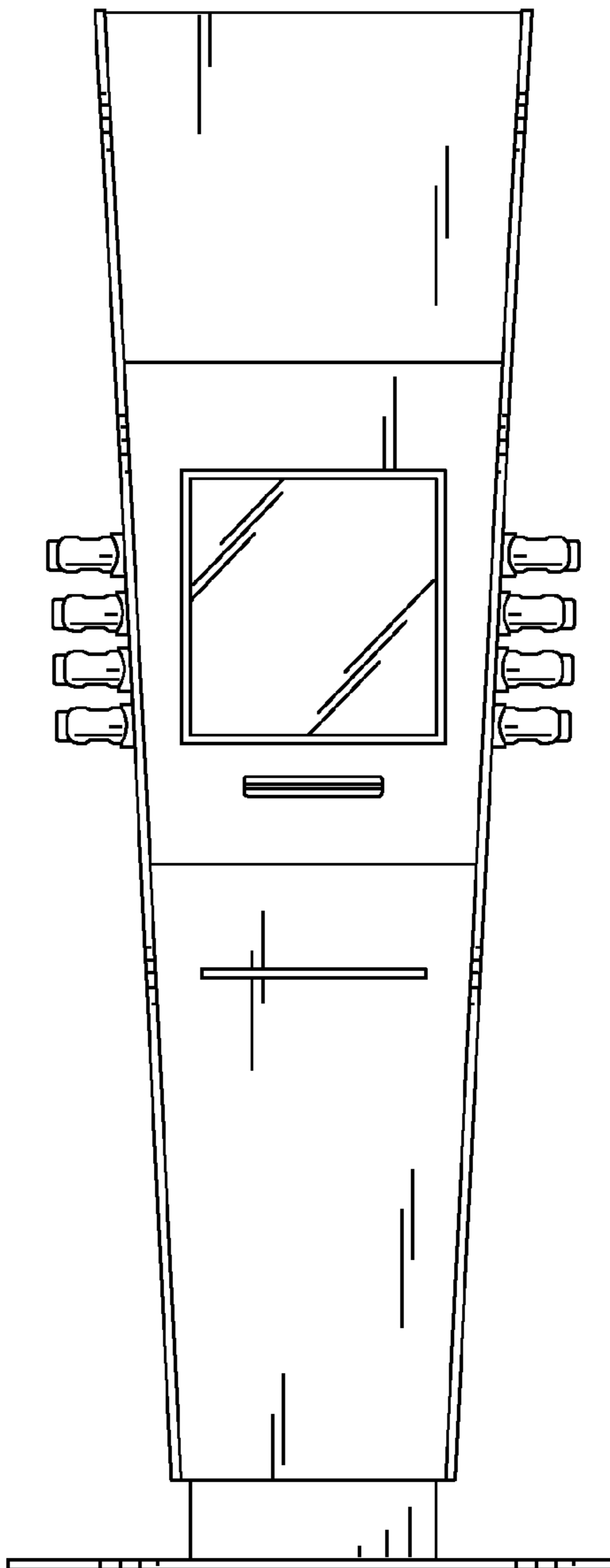


Fig. 3

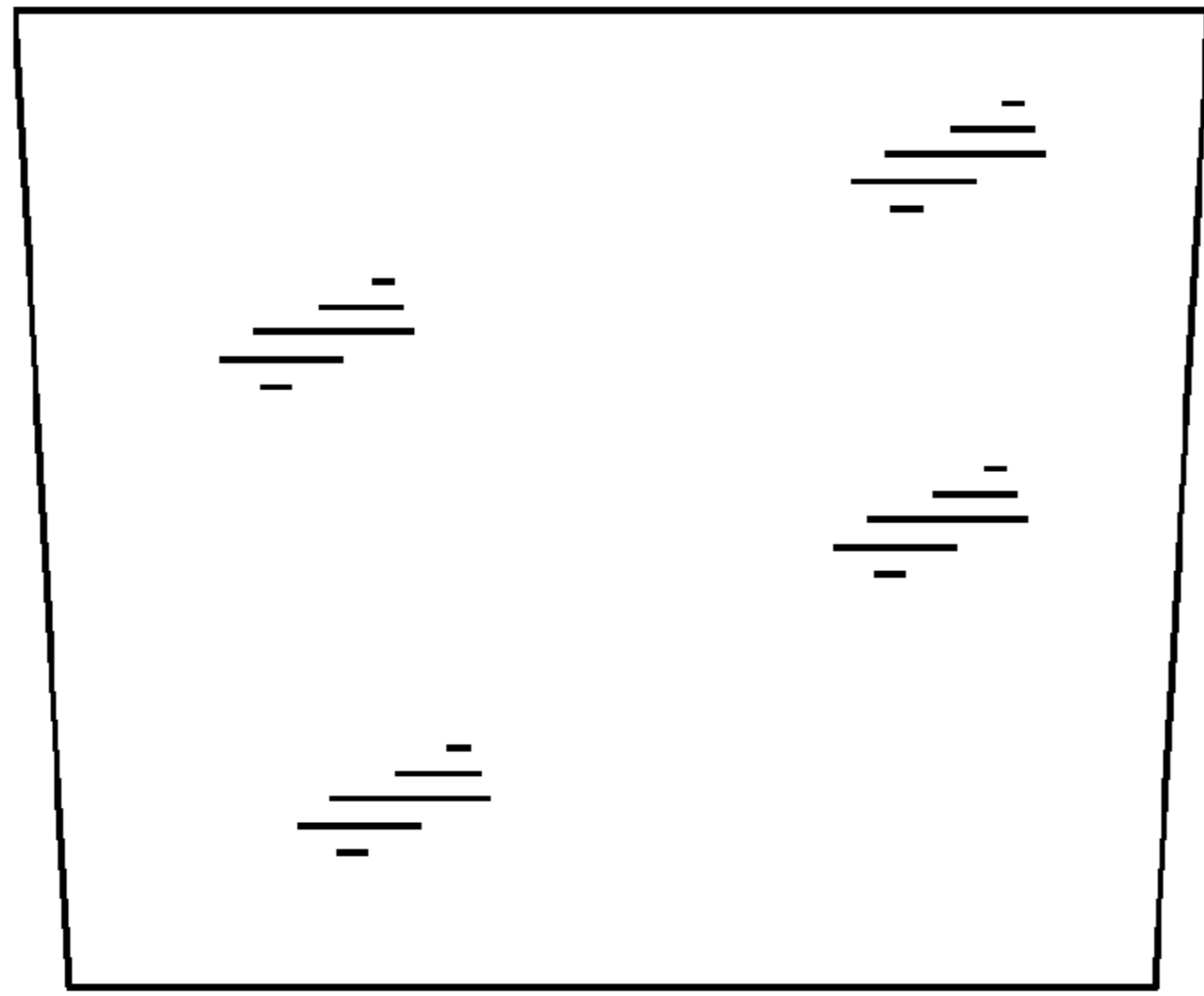


Fig. 4

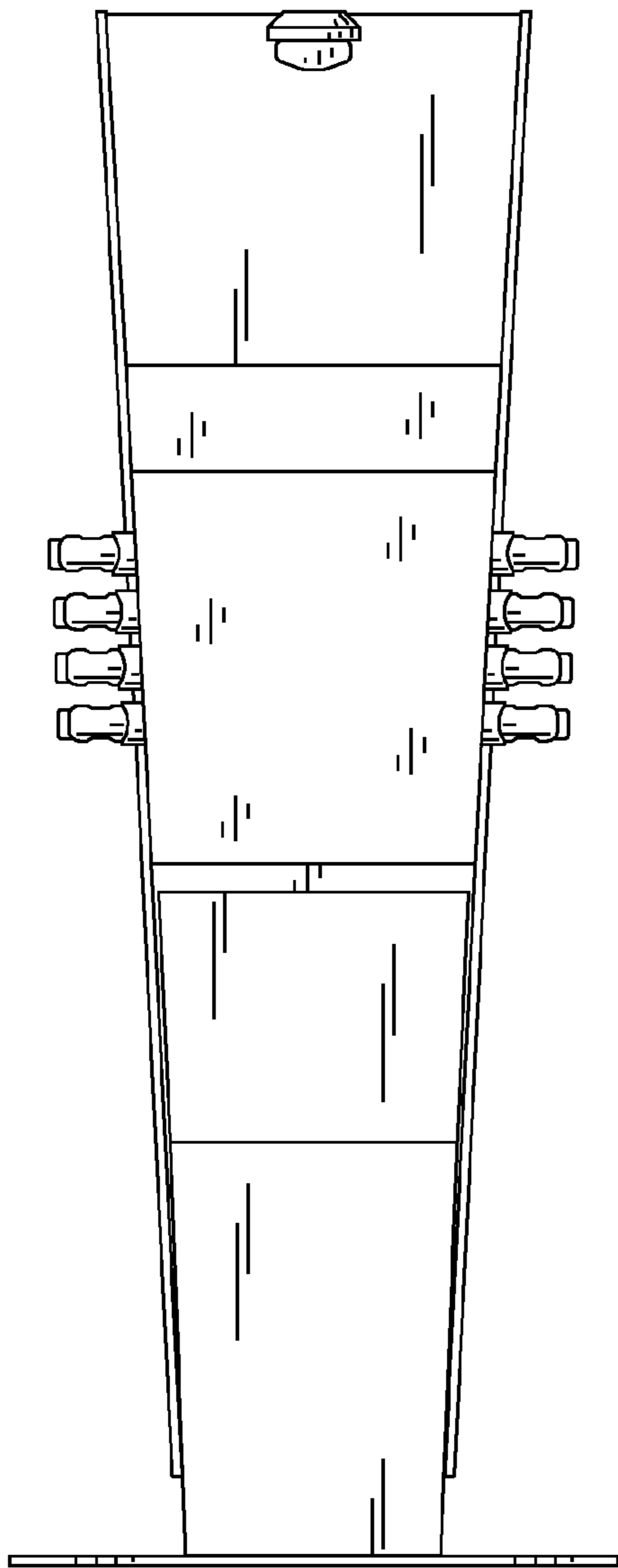


Fig. 5

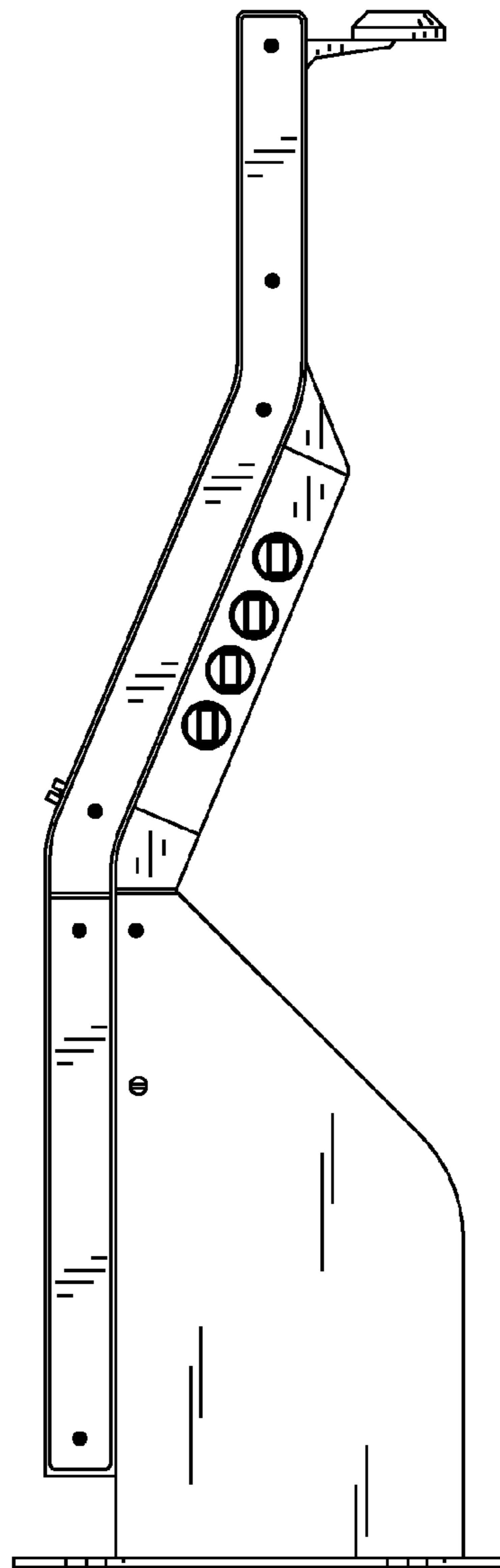


Fig. 6