



US00D590386S

(12) **United States Design Patent**
Leith et al.

(10) **Patent No.:** **US D590,386 S**

(45) **Date of Patent:** **** Apr. 14, 2009**

(54) **MOVABLE SUPPORT ELEMENT FOR A HANDSET**

D409,076 S * 5/1999 Wolf D8/349
6,387,267 B1 * 5/2002 Imai 455/90.1
6,484,888 B2 * 11/2002 Miller 211/5

(75) Inventors: **Daren Leith**, West Hills, CA (US);
Daniel Dhondt, Espoo (FI)

(Continued)

(73) Assignee: **Nokia Corporation**, Espoo (FI)

FOREIGN PATENT DOCUMENTS

(**) Term: **14 Years**

WO DM/068186 * 8/2006

(Continued)

(21) Appl. No.: **29/318,104**

OTHER PUBLICATIONS

(22) Filed: **May 13, 2008**

Nokia N80, announced 4th quarter 2005, [online], [retrieved on Feb. 16, 2007]. Retrieved from Internet, <URL: http://www.gsmarena.com>.*

(Continued)

Related U.S. Application Data

(63) Continuation of application No. 29/250,715, filed on Nov. 28, 2006.

Primary Examiner—Jeffrey D Asch

Assistant Examiner—Bridget L Eland

(74) *Attorney, Agent, or Firm*—Banner & Witcoff, Ltd

(30) **Foreign Application Priority Data**

Jun. 14, 2006 (FI) M20060130

(57) **CLAIM**

(51) **LOC (9) Cl.** **14-03**

(52) **U.S. Cl.** **D14/248; D16/208**

(58) **Field of Classification Search** D14/137,
D14/138 R, 138 AA, 138 AB, 138 AC, 138 AD,
D14/138 C, 138 G, 147, 191, 203.1–203.8,
D14/218, 247–248, 341–347, 432, 439, 455–456,
D14/496; D10/65, 78, 104; D13/168; D16/202,
D16/206, 208, 219; D18/7; 455/556.1, 566,
455/575.1, 575.3; 345/169

The ornamental design for a movable support element for a handset, as shown and described.

See application file for complete search history.

DESCRIPTION

(56) **References Cited**

U.S. PATENT DOCUMENTS

2,786,201 A * 3/1957 Ehrlich 227/124
D356,101 S * 3/1995 Arai D16/208
D359,745 S * 6/1995 Arai D16/208
D407,298 S * 3/1999 Hemphill D8/367

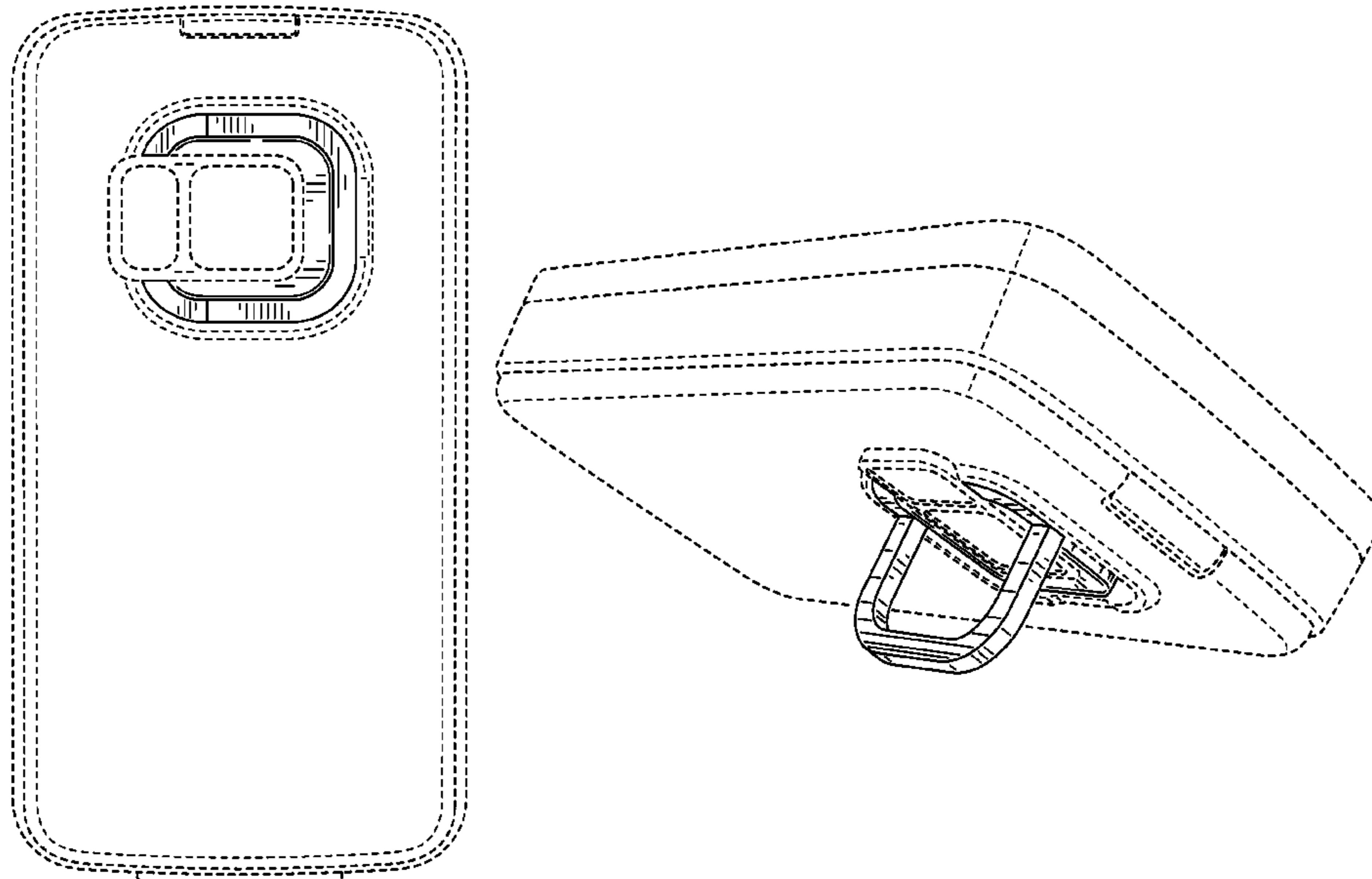
FIG. 1 is a perspective front view of a movable support element for a handset showing our new design;

FIG. 2 is a front view thereof; and,

FIG. 3 is a perspective front view of the movable support element for a handset in an alternative in-use position.

The rectangular broken line showing within the claimed area represents the bounds of the claimed design, while all other broken lines are directed to environment and are for illustrative purposes only; the broken lines forms no part of the claimed design.

1 Claim, 3 Drawing Sheets



US D590,386 S

Page 2

U.S. PATENT DOCUMENTS

D480,057 S * 9/2003 Ho-Cheun et al. ... D14/138 AA
D489,365 S * 5/2004 Shimamura et al. D14/248
D495,695 S 9/2004 Yugaya
D498,963 S * 11/2004 Sung-Feng D6/553
D511,342 S 11/2005 Chien
D520,343 S * 5/2006 Powell D8/349
D520,981 S * 5/2006 Lee et al. D14/138 AB
D525,243 S * 7/2006 Griffin D14/248
D525,244 S * 7/2006 Corley et al. D14/248
D525,609 S 7/2006 Kim et al.
D530,295 S 10/2006 Chung et al.
D534,516 S 1/2007 Lheem
D534,890 S 1/2007 Kim
D536,691 S 2/2007 Park
D537,058 S * 2/2007 Chauhan et al. D14/138 AD
D538,277 S * 3/2007 Eguchi D14/248
D539,793 S * 4/2007 Johansson D14/248
D544,460 S 6/2007 Yau
D545,291 S 6/2007 Chuang
D547,292 S 7/2007 Kim et al.
D548,214 S 8/2007 Kim et al.
D548,714 S 8/2007 Kim et al.
D549,202 S 8/2007 Kim et al.
D549,204 S 8/2007 Cho
D551,201 S 9/2007 Kim et al.
D551,646 S 9/2007 Kim et al.
7,269,450 B2 9/2007 Lee et al.
D552,579 S 10/2007 Lee et al.
D555,134 S 11/2007 Sung et al.
D562,790 S * 2/2008 Hering et al. D14/138 AB
D580,424 S * 11/2008 Wang et al. D14/248
2003/0153355 A1 * 8/2003 Warren 455/557
2003/0181225 A1 * 9/2003 Hasegawa et al. 455/566

2004/0253132 A1 * 12/2004 Cho et al. 417/572
2005/0014538 A1 1/2005 Hyun et al.
2006/0063569 A1 3/2006 Jacobs et al.
2006/0105806 A1 5/2006 Vance et al.
2006/0121961 A1 * 6/2006 Cho 455/575.3
2006/0205450 A1 9/2006 Amano et al.
2007/0232243 A1 10/2007 Chen
2007/0232370 A1 10/2007 Kim
2008/0051162 A1 * 2/2008 Kim et al. 455/575.3

FOREIGN PATENT DOCUMENTS

WO DM068448 1/2007
WO DM/068930 * 3/2007
WO DM/069016 * 5/2007

OTHER PUBLICATIONS

BenQ-Siemens EL71, announced Feb. 2006, [online], [retrieved on Feb. 20, 2007]. Retrieved from Internet, <URL: <http://gsmarena.com>>.
Asus P535, announced Nov. 2006, [online], [retrieved on Feb. 20, 2007]. Retrieved from Internet, <URL: <http://gsmarena.com>>.
Eten glofiish M800, announced Oct. 2006, [online], [retrieved on Dec. 13, 2007]. Retrieved from Internet, <URL: <http://gsmarena.com>>.
LG KG800, announced Mar. 2006, [online], [retrieved on Feb. 20, 2007]. Retrieved from Internet, <URL: <http://gsmarena.com>>.
Nokia N81, announced Aug. 2007, [online], [retrieved on Sep. 4, 2007]. Retrieved from Internet, <URL: <http://gsmarena.com>>.
Nokia N81 8GB, announced Aug. 2007, [online], [retrieved on Sep. 4, 2007]. Retrieved from Internet, <URL: <http://gsmarena.com>>.
LG KU800, announced Sep. 2006, [online], [retrieved on Feb. 20, 2007]. Retrieved from Internet, <URL: <http://gsmarena.com>>.

* cited by examiner

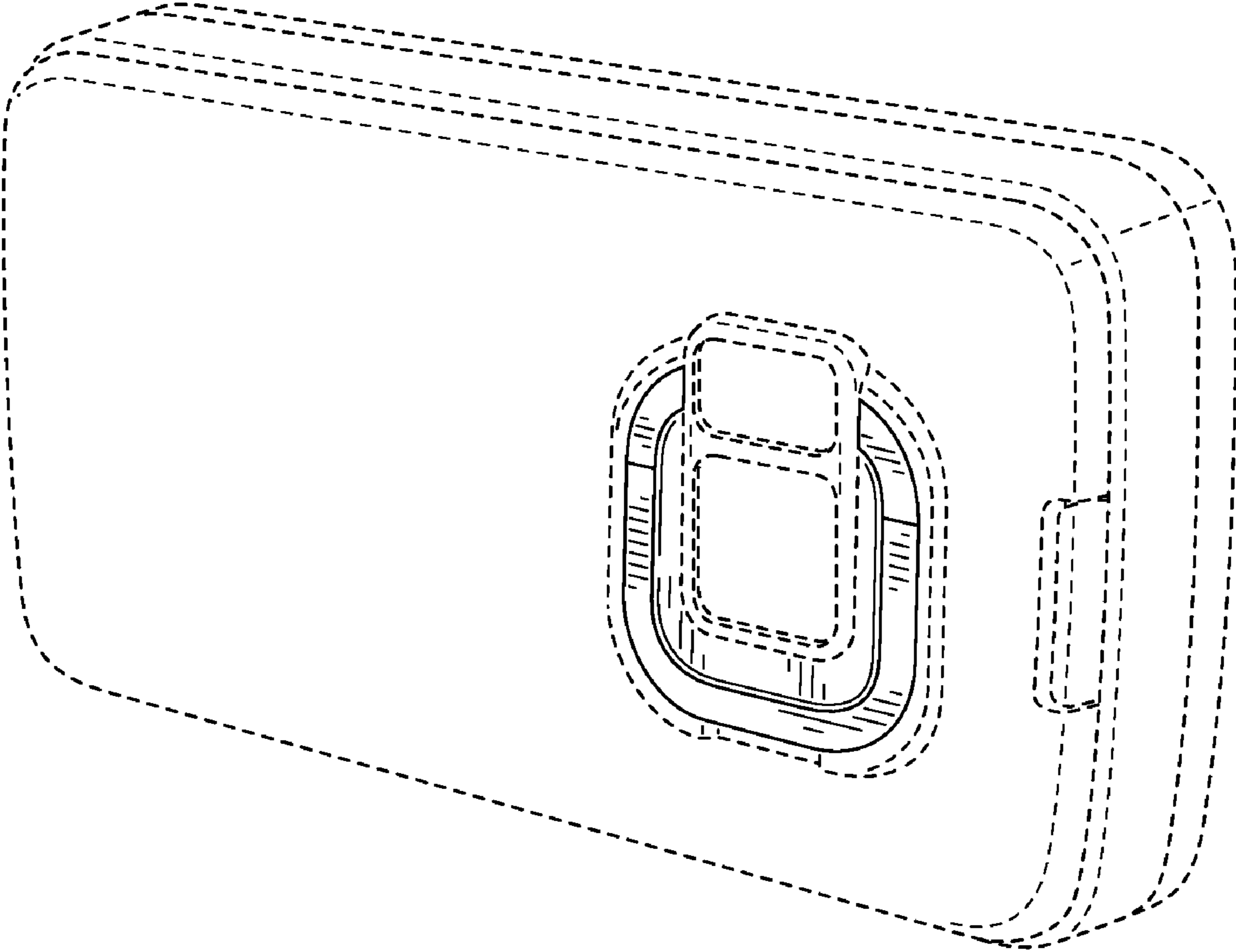


FIG. 1

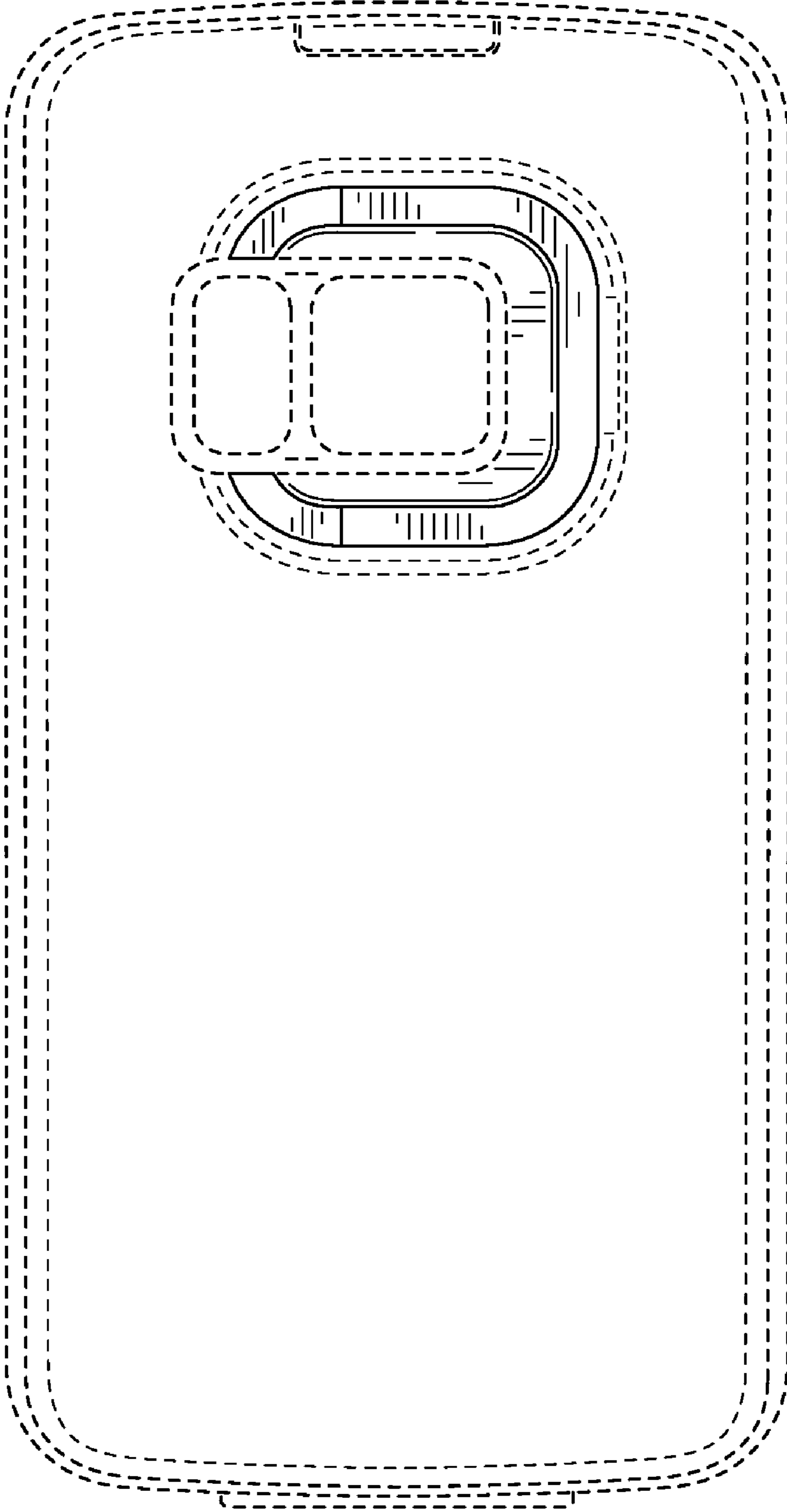


FIG. 2

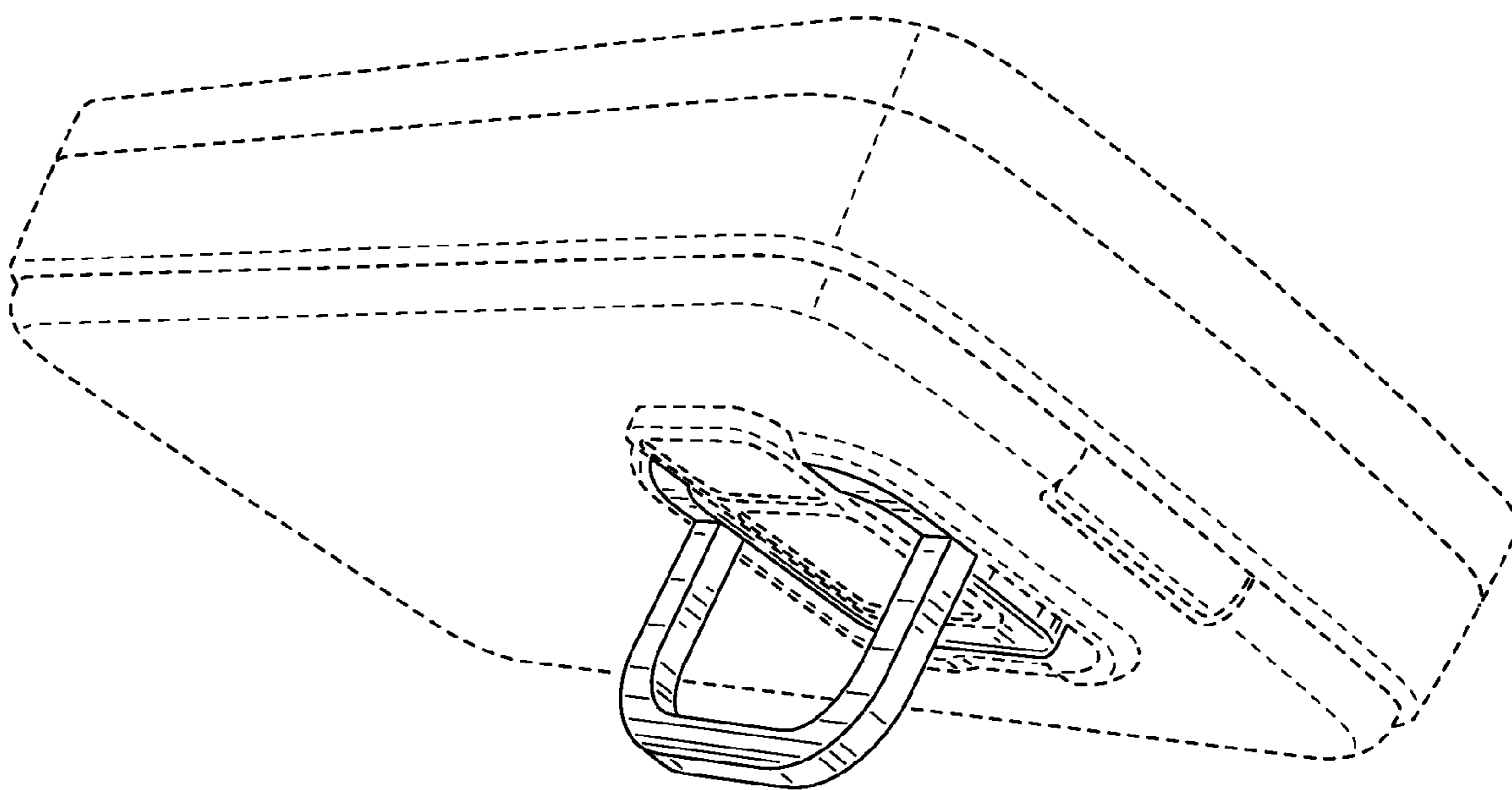


FIG. 3