

US00D590381S

(12) **United States Design Patent**
Laine

(10) **Patent No.:** **US D590,381 S**

(45) **Date of Patent:** **** *Apr. 14, 2009**

(54) **KEYPAD FOR A HANDSET**

(75) Inventor: **Aki Laine**, København (DK)

(73) Assignee: **Nokia Corporation**, Espoo (FI)

(*) Notice: This patent is subject to a terminal disclaimer.

(**) Term: **14 Years**

(21) Appl. No.: **29/305,933**

(22) Filed: **Mar. 31, 2008**

(51) **LOC (9) Cl.** **14-03**

(52) **U.S. Cl.** **D14/247**

(58) **Field of Classification Search** D14/137,
D14/138 R, 138 AA, 138 AB, 138 AC, 138 AD,
D14/138 C, 138 G, 147, 191, 218, 247-248,
D14/341-347, 455, 496; D10/65, 78, 104;
D13/168; D18/7; 455/556.1, 566, 575.1,
455/575.3; 345/169

See application file for complete search history.

(56) **References Cited**

U.S. PATENT DOCUMENTS

D478,081 S *	8/2003	Khovaylo et al.	D14/425
D478,084 S *	8/2003	Khovaylo et al.	D14/425
D491,930 S *	6/2004	Widiaman	D14/247
D500,992 S *	1/2005	Shen et al.	D14/138 AA
D507,562 S *	7/2005	Kim	D14/247
D507,563 S *	7/2005	Moss	D14/247
D521,478 S *	5/2006	Lee et al.	D14/138 AB
D534,530 S *	1/2007	Pitt et al.	D14/247
D539,791 S *	4/2007	Sheu	D14/247
D549,699 S *	8/2007	Bower	D14/247
D550,220 S *	9/2007	Lyles	D14/247
D550,661 S *	9/2007	Fahlgren	D14/247

D564,503 S *	3/2008	Nakajima et al.	D14/247
D567,784 S *	4/2008	Lee et al.	D14/138 AB
D567,786 S *	4/2008	Lee et al.	D14/138 AB
D569,858 S *	5/2008	He	D14/247
D570,339 S *	6/2008	Mehandjiysky et al.	D14/247
D578,504 S *	10/2008	Stillerman	D14/138 AB
2005/0130718 A1 *	6/2005	Woo	455/575.3
2007/0021158 A1 *	1/2007	Kim et al.	455/575.3

OTHER PUBLICATIONS

Nokia 6650 T-Mobile, announced Mar. 2008, [online], [retrieved on Oct. 3, 2008]. Retrieved from Internet ,<URL: http://www.gsmarena.com>.*

Nokia 6600 fold, announced Apr. 2008, [online], [retrieved on Oct. 3, 2008]. Retrieved from Internet ,<URL: http://www.gsmarena.com>.*

Nokia Model #6233, Nokia Corporation, 4 color sheets of photographs, disclosed on or about Dec. 2005.

* cited by examiner

Primary Examiner—Jeffrey D Asch

Assistant Examiner—Bridget L Eland

(74) *Attorney, Agent, or Firm*—Banner & Witcoff, Ltd

(57)

CLAIM

The ornamental design for a keypad for a handset, as shown and described.

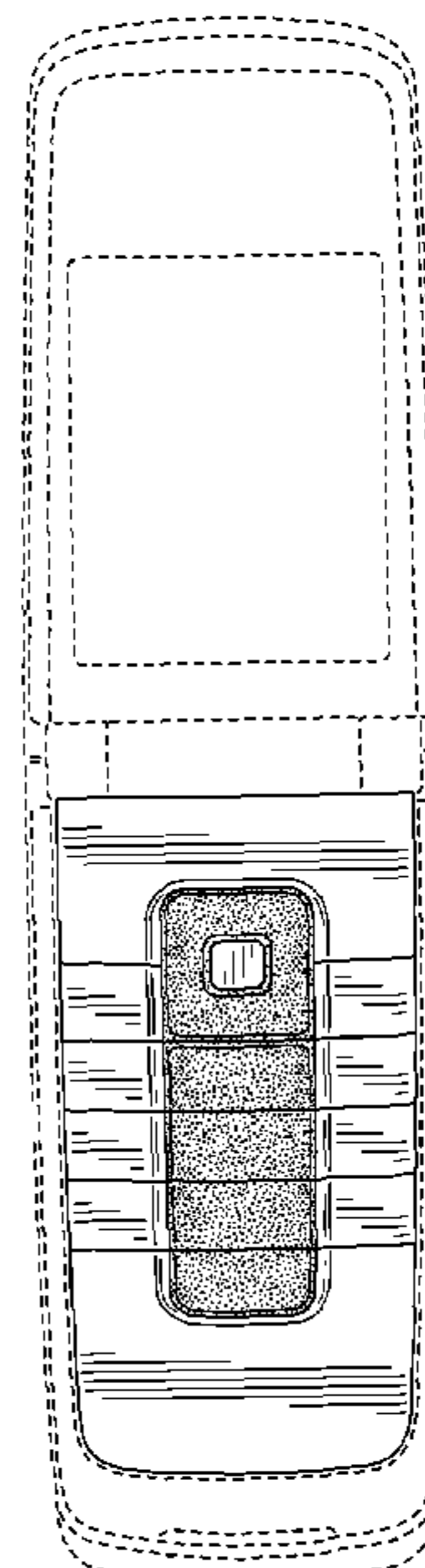
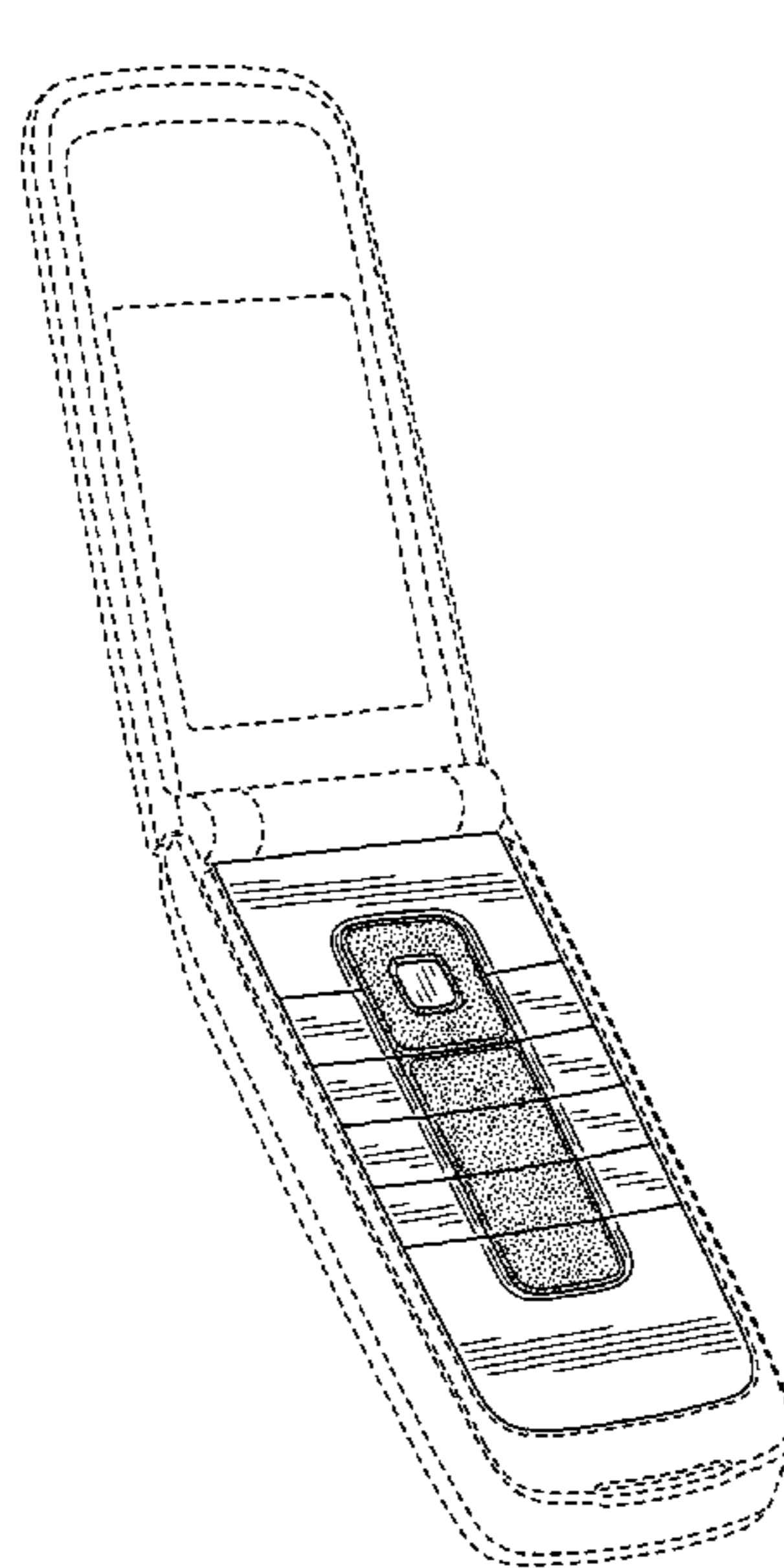
DESCRIPTION

FIG. 1 is a front perspective view of a keypad for a handset showing my new design; and,

FIG. 2 is a front view thereof.

The broken line showing of the remainder of the handset in FIGS. 1 and 2 is directed to environment and is for illustrative purposes only and forms no part of the claimed design.

1 Claim, 2 Drawing Sheets



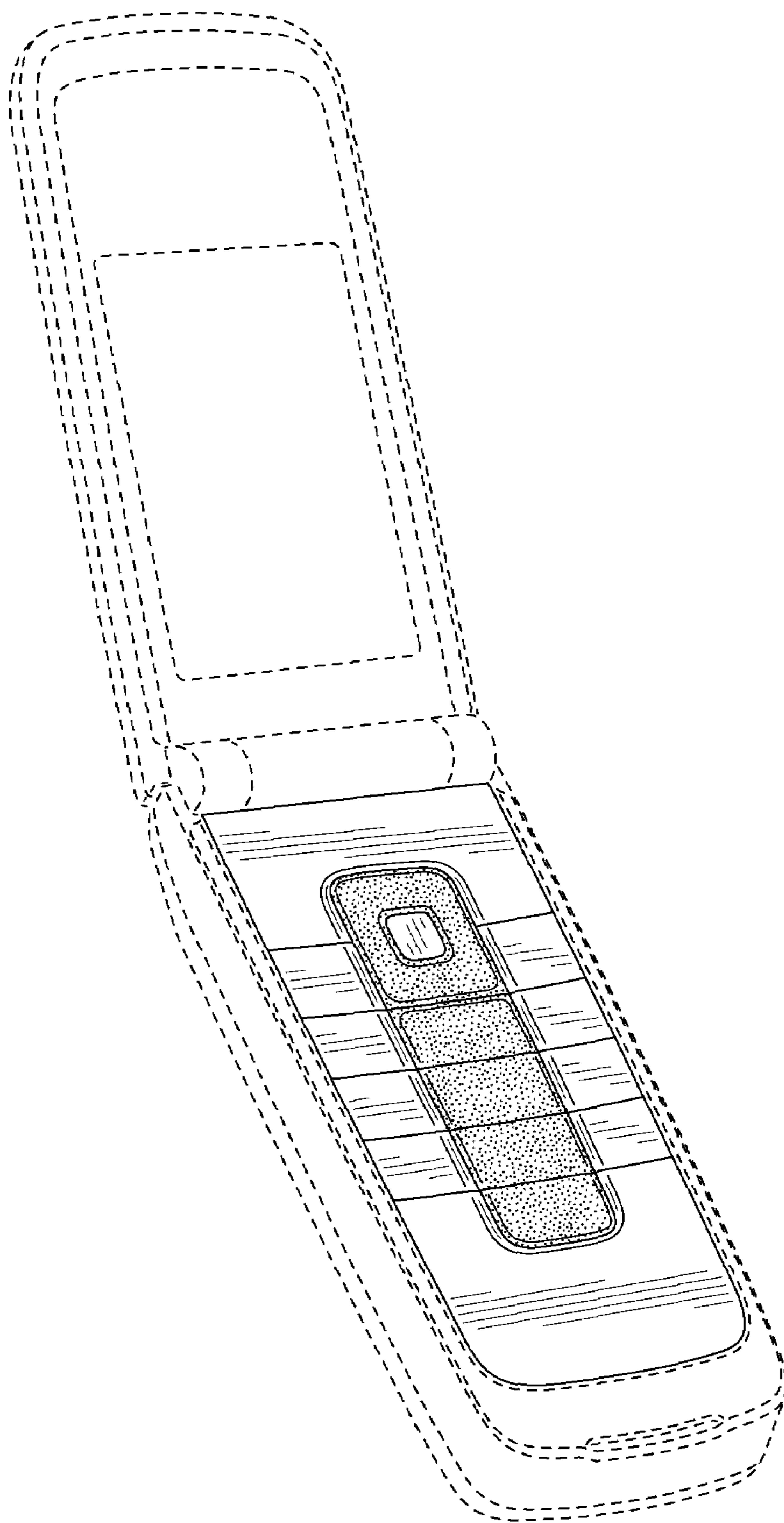


FIG. 1

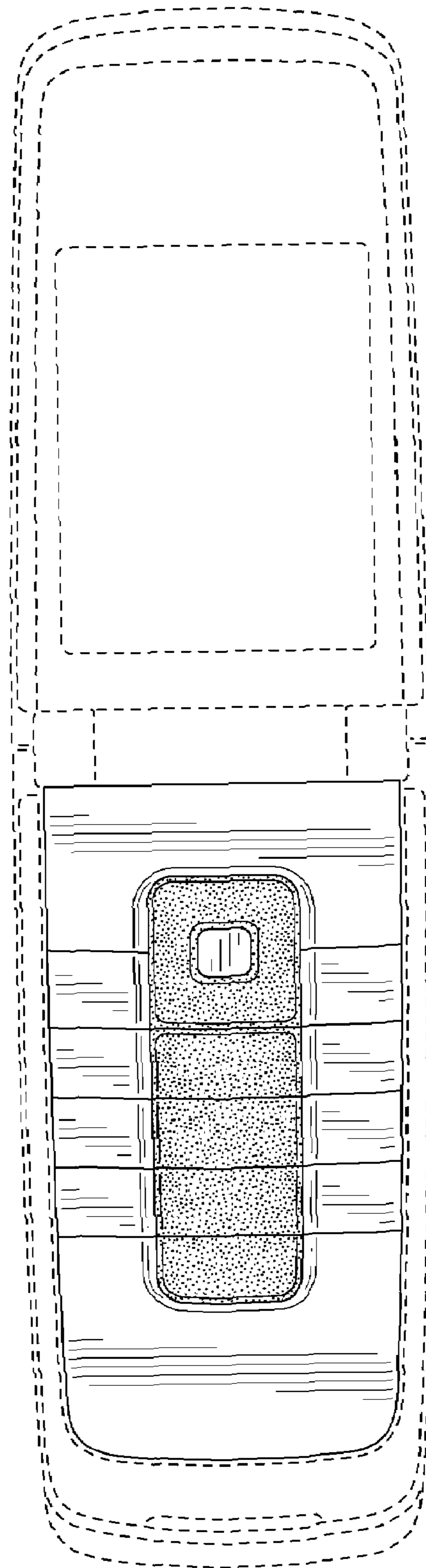


FIG. 2