



US00D590380S

(12) **United States Design Patent**
Lee et al.

(10) **Patent No.:** **US D590,380 S**
(45) **Date of Patent:** **** Apr. 14, 2009**

(54) **KEYPAD FOR A PORTABLE PHONE**

(75) Inventors: **Kyung-Jin Lee**, Seoul (KR); **Sang-Min Hyun**, Seoul (KR); **Chang-Soo Lee**, Incheon (KR)

(73) Assignee: **Samsung Electronics Co., Ltd.**, Suwon-Si (KR)

(**) Term: **14 Years**

(21) Appl. No.: **29/257,550**

(22) Filed: **Apr. 7, 2006**

(30) **Foreign Application Priority Data**

Oct. 28, 2005 (KR) 30-2005-0036442

(51) **LOC (9) Cl.** **14-03**

(52) **U.S. Cl.** **D14/247**

(58) **Field of Classification Search** D14/137-138, D14/147-148, 156, 218, 247-248, 341-347, D14/496, 390, 399, 455, 456; D16/208; D21/329, 331, 333, 517; 348/14.01-14.02; 361/814; 379/433.01-433.13; 455/90.3, 455/556.1-556.2, 566, 575.1, 575.3, 575.4; D13/164, 168; 439/165; 343/702

See application file for complete search history.

(56) **References Cited**

U.S. PATENT DOCUMENTS

D339,338 S *	9/1993	Tattari et al.	D14/138
D362,249 S *	9/1995	Burstedt et al.	D14/138
D388,784 S *	1/1998	Phillips et al.	D14/138
D488,789 S *	4/2004	Lee	D14/138
D492,275 S *	6/2004	Lin et al.	D14/138
D496,016 S *	9/2004	Hoo	D14/138
6,975,273 B1 *	12/2005	Choi	343/702
D521,480 S *	5/2006	Ou et al.	D14/138
D521,968 S *	5/2006	Jung et al.	D14/138
D524,787 S *	7/2006	Watanabe et al.	D14/138

D536,320 S *	2/2007	Michaels	D14/138
D538,796 S *	3/2007	Fahlgren	D14/247
D552,059 S *	10/2007	Cho et al.	D14/138

FOREIGN PATENT DOCUMENTS

JP	1188710	*	10/2003
WO	DM/066630	*	5/2005
WO	DM/067695	*	3/2006

OTHER PUBLICATIONS

Nokia 6060, announced Jun. 2005, <URL:www.gsmarena.com>, retrieved from internet Oct. 16, 2007.*

Nokia 6030, announced 1Q 2005, <URL:www.gsmarena.com>, retrieved from internet Oct. 16, 2007.*

* cited by examiner

Primary Examiner—Jeffrey D Asch

Assistant Examiner—Carla Jobe Wright

(74) *Attorney, Agent, or Firm*—Staas & Halsey LLP

(57) **CLAIM**

The ornamental design for a keypad for a portable phone, as shown and described.

DESCRIPTION

FIG. 1 is a perspective open view of a portable phone showing our new design in an open state;

FIG. 2 is a rear view thereof;

FIG. 3 is a front view thereof;

FIG. 4 is a left side view thereof;

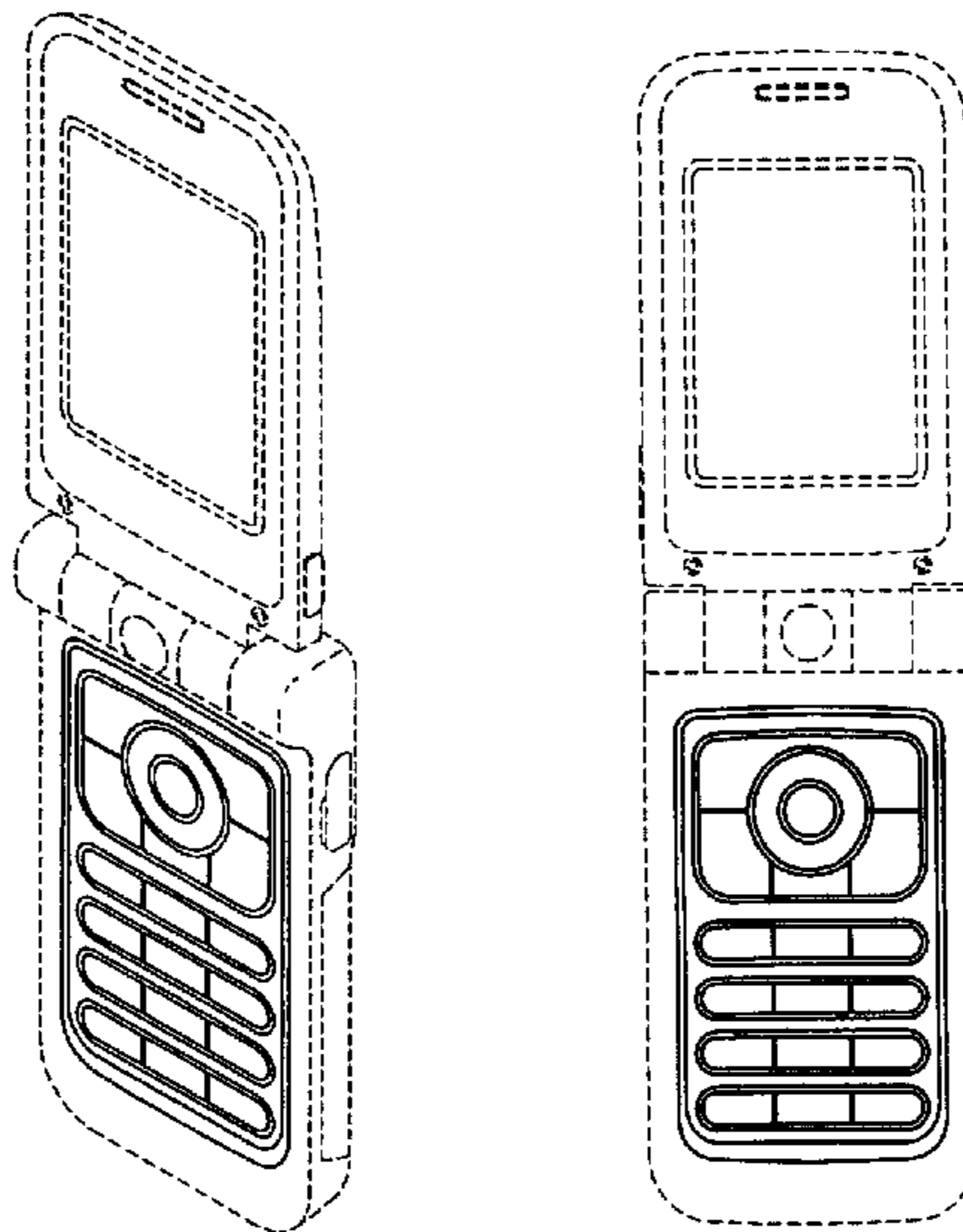
FIG. 5 is a right side view thereof;

FIG. 6 is a top plan view thereof; and,

FIG. 7 is a bottom plan view thereof.

The broken line showing of environmental structures is for illustrative purposes only and forms no part of the claimed invention.

1 Claim, 4 Drawing Sheets



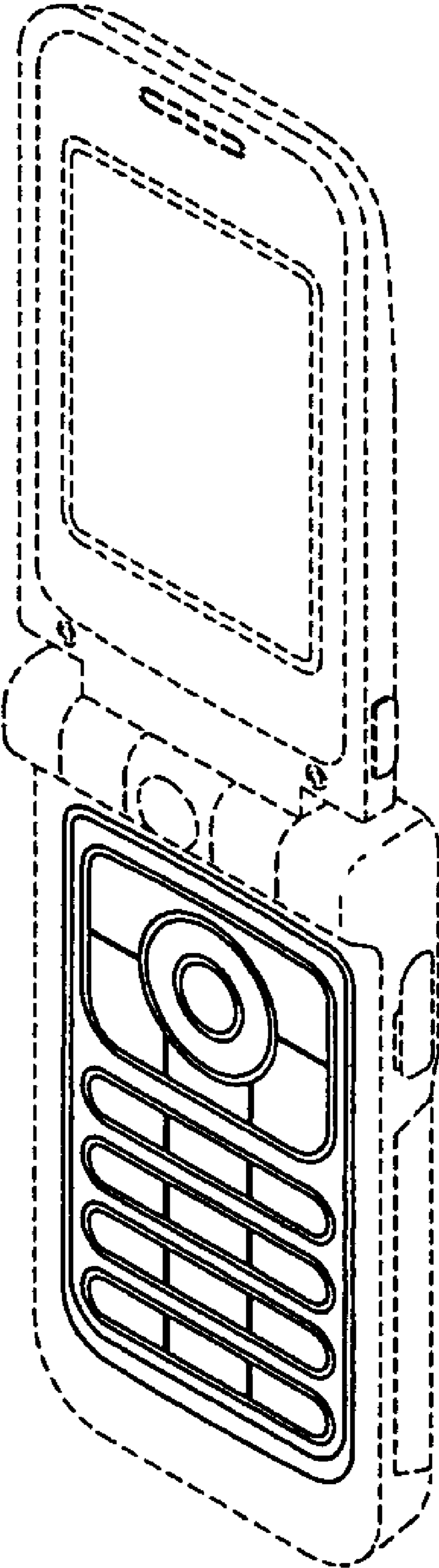


FIG. 1

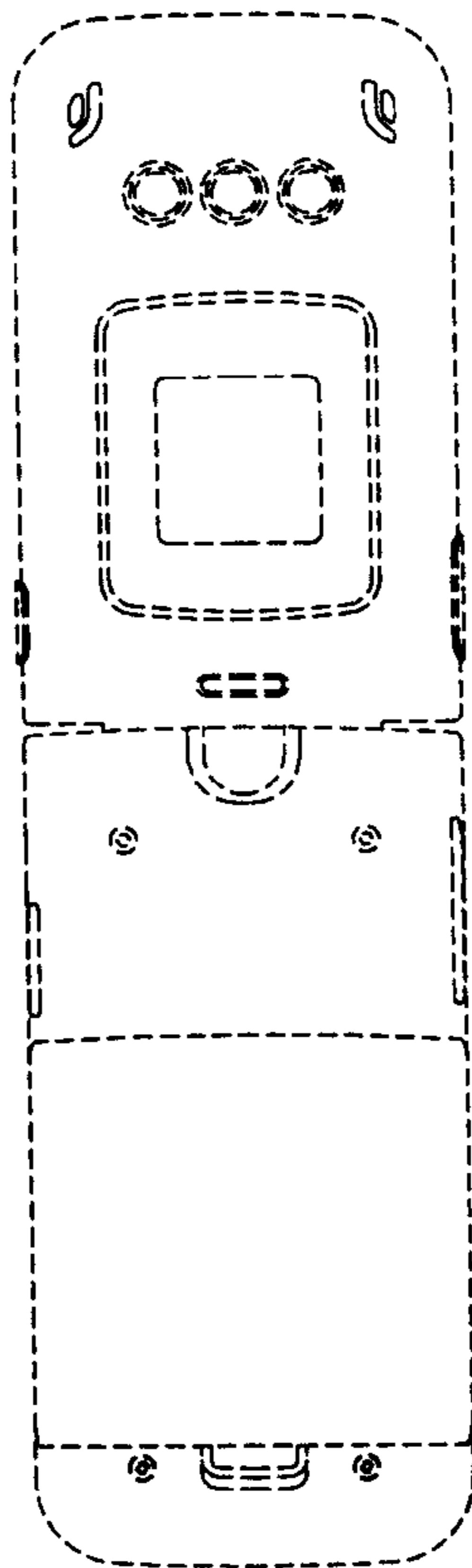


FIG. 2

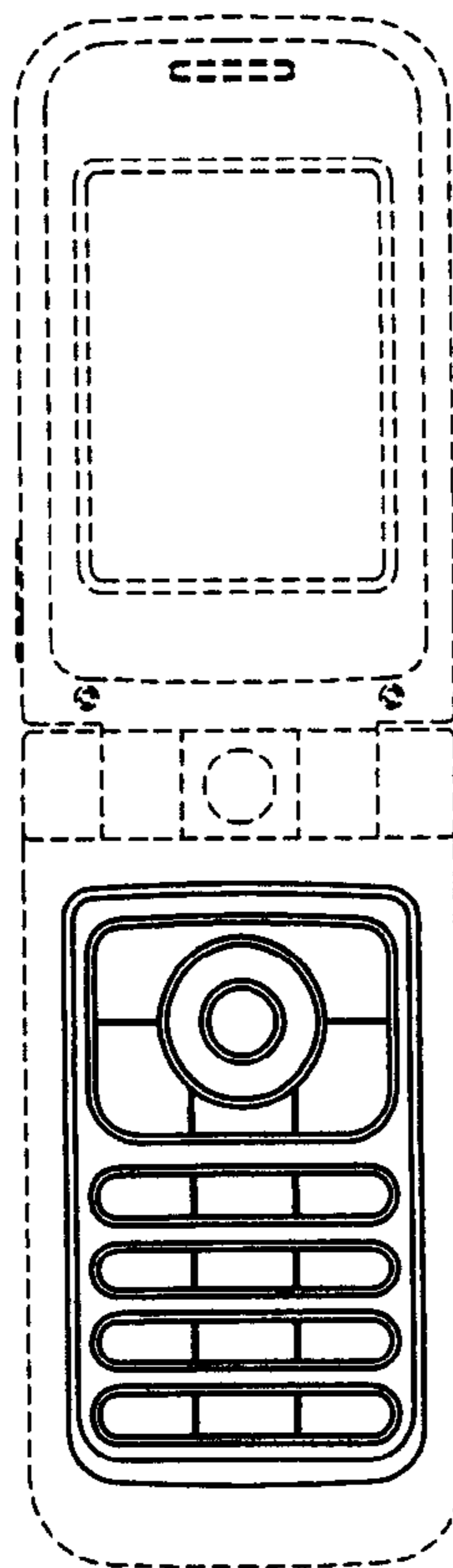


FIG. 3



FIG. 4



FIG. 5

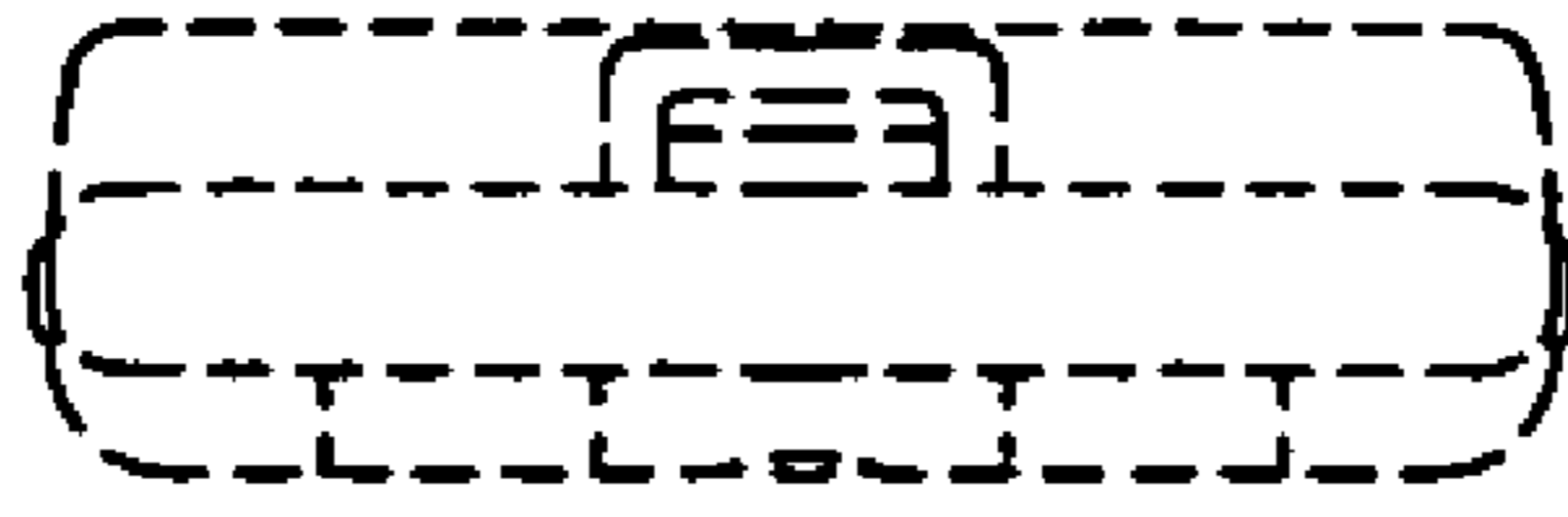


FIG. 6

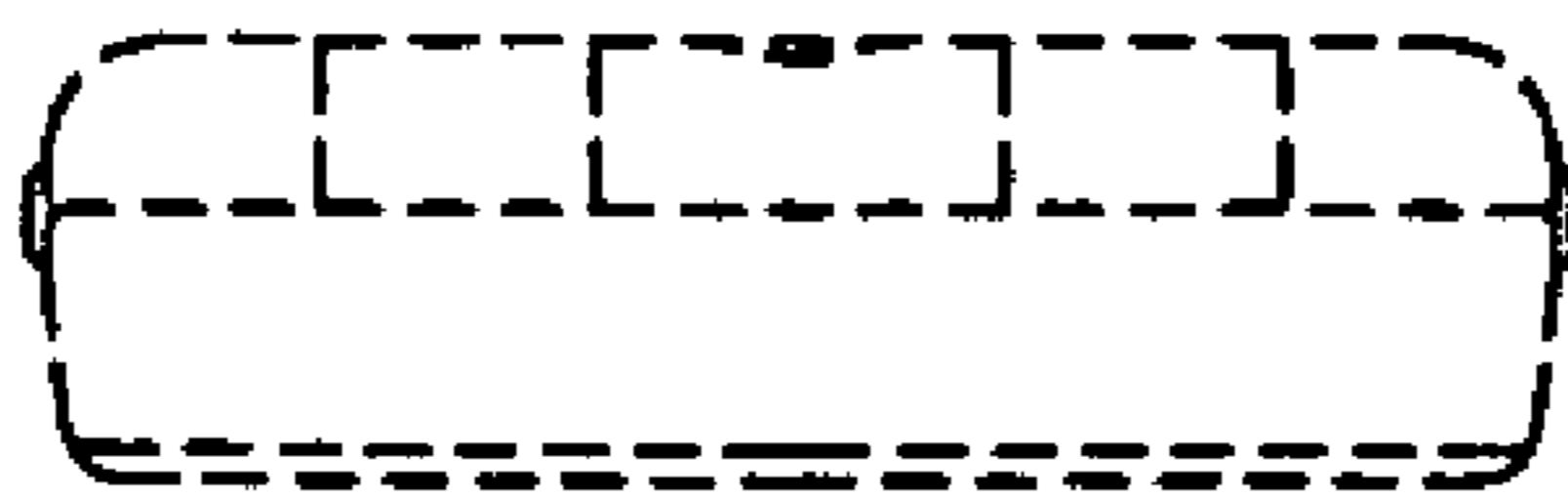


FIG. 7