



US00D590379S

(12) **United States Design Patent**  
**Deguchi et al.**

(10) **Patent No.:** **US D590,379 S**

(45) **Date of Patent:** **\*\* Apr. 14, 2009**

(54) **ANTENNA**

(75) Inventors: **Futoshi Deguchi**, Fukuoka (JP);  
**Shoichiro Ikeda**, Fukuoka (JP); **Hiroshi Okamoto**, Fukuoka (JP)

(73) Assignee: **Panasonic Corporation**, Osaka (JP)

(\*\*) Term: **14 Years**

(21) Appl. No.: **29/323,248**

(22) Filed: **Aug. 21, 2008**

(30) **Foreign Application Priority Data**

Mar. 14, 2008 (JP) ..... 2008-006363

(51) **LOC (9) Cl.** ..... **14-03**

(52) **U.S. Cl.** ..... **D14/230**

(58) **Field of Classification Search** ..... D14/138,  
D14/230-238, 299, 358; D12/42, 43; 343/700 MS,  
343/700 R-705, 711-713, 741, 748, 767,  
343/795, 819, 840, 846, 866, 871-908; 455/90.2,  
455/90.3, 91, 128, 269, 344, 347, 562.1  
See application file for complete search history.

(56) **References Cited**

U.S. PATENT DOCUMENTS

D388,098 S \* 12/1997 Yamakawa et al. .... D14/230  
6,323,821 B1 \* 11/2001 McLean ..... 343/795  
D493,448 S 7/2004 Charlot, Jr.  
D500,753 S 1/2005 Nagatomi

D501,465 S 2/2005 Charlot, Jr.  
D501,466 S 2/2005 Charlot, Jr.  
7,012,573 B2 \* 3/2006 Tchistiakov et al. .... 343/795  
7,091,841 B2 \* 8/2006 Adamson et al. .... 340/447  
D547,754 S 7/2007 Oliver  
7,265,718 B2 \* 9/2007 Tsai ..... 343/700 MS  
D562,810 S 2/2008 Oliver  
D563,397 S 3/2008 Oliver  
2003/0197647 A1 \* 10/2003 Waterman ..... 343/700 MS  
2003/0231138 A1 \* 12/2003 Weinstein ..... 343/795  
2005/0040994 A1 \* 2/2005 Mazoki et al. .... 343/809  
2006/0038735 A1 \* 2/2006 Shtrom et al. .... 343/795  
2006/0250317 A1 \* 11/2006 Regala ..... 343/795  
2008/0258975 A1 \* 10/2008 Schmidt et al. .... 343/700 MS

\* cited by examiner

*Primary Examiner*—T. Chase Nelson  
*Assistant Examiner*—John Windmuller

(74) *Attorney, Agent, or Firm*—Brinks Hofer Gilson & Lione

(57) **CLAIM**

We claim the ornamental design for an antenna, as shown and described.

**DESCRIPTION**

FIG. 1 is a top view of an antenna of the present invention; and,

FIG. 2 is a bottom view thereof.

In the drawings, the broken lines depict portions of the antenna element that form no part of the claimed design.

**1 Claim, 2 Drawing Sheets**

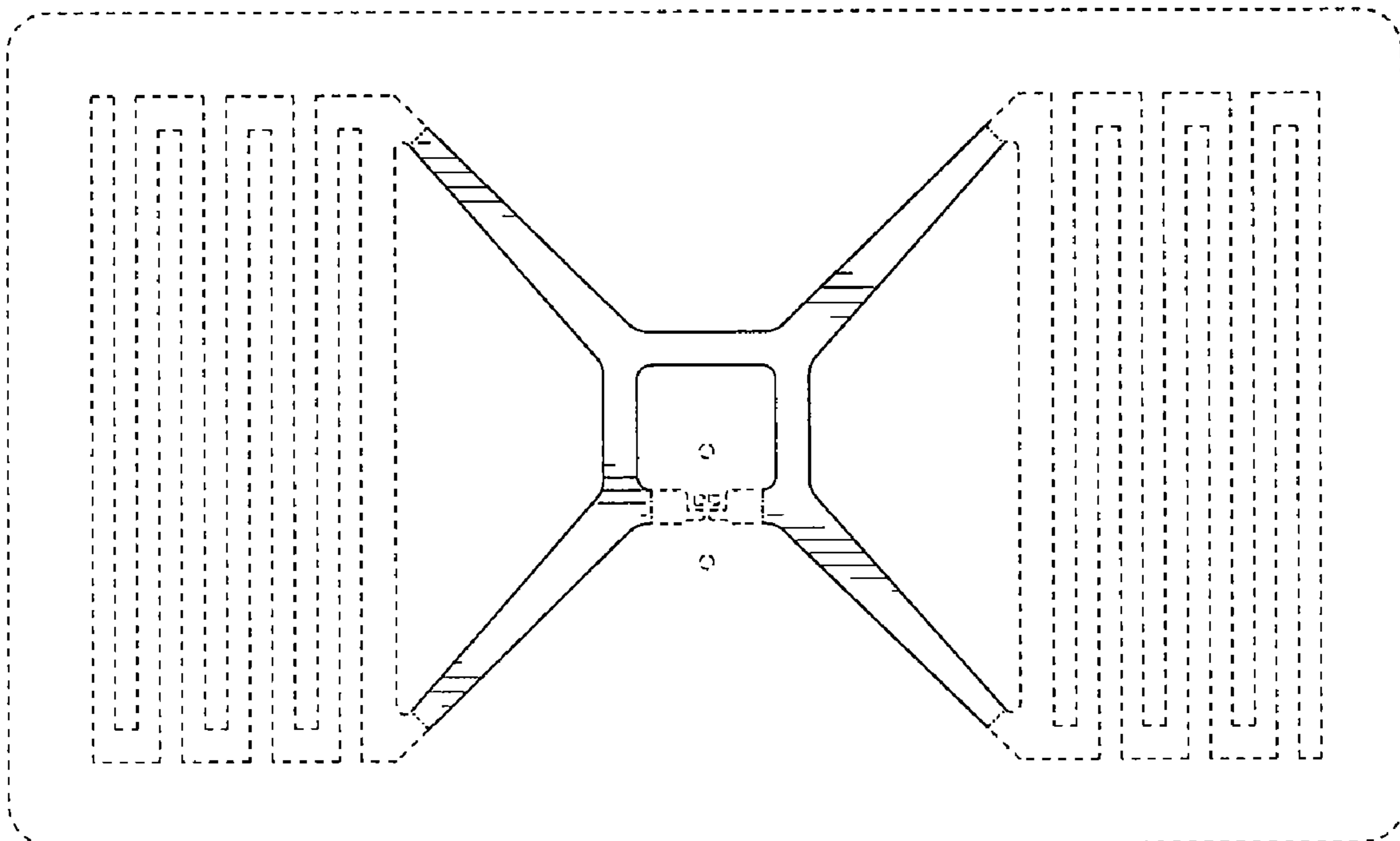
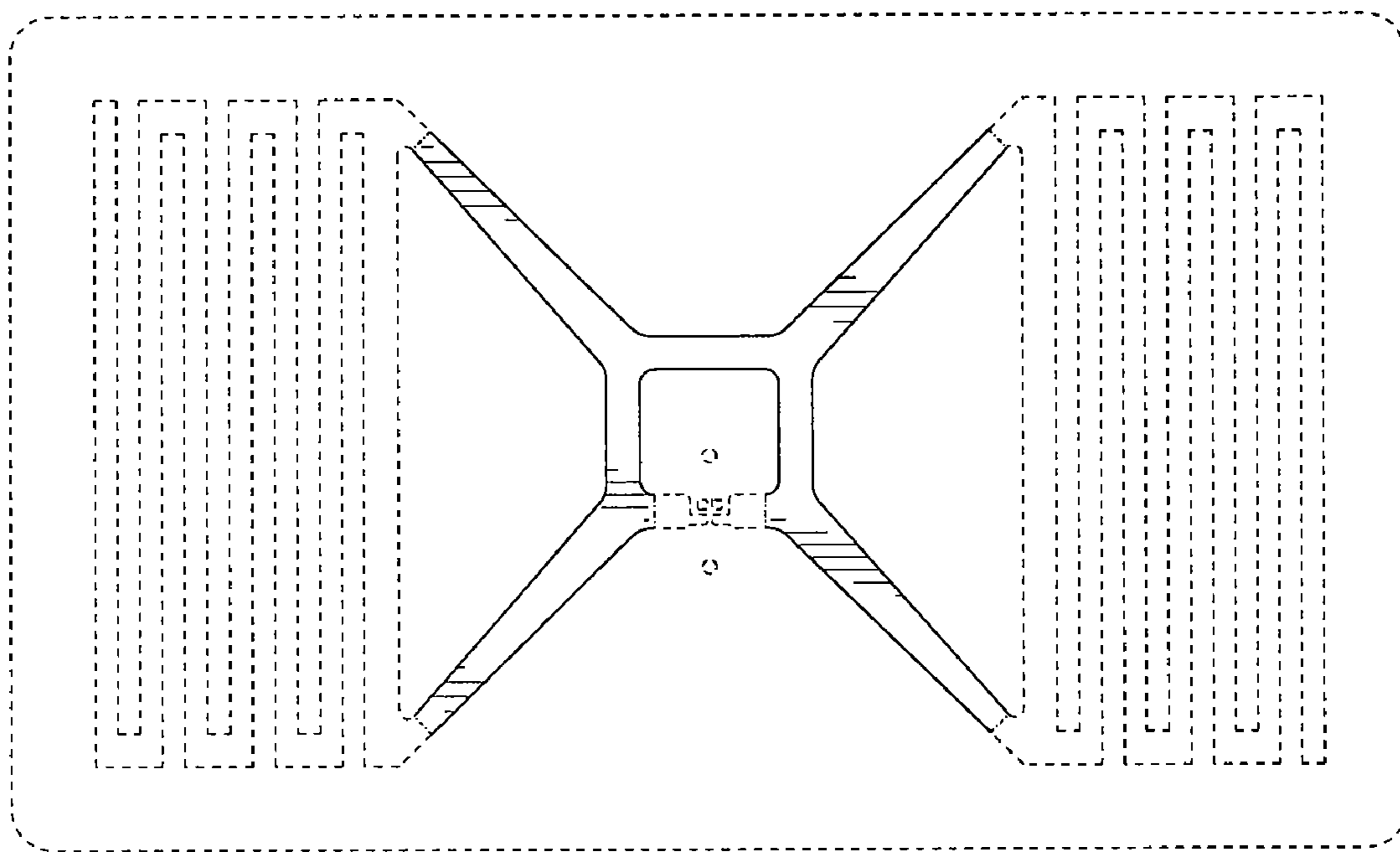


FIG.1



**FIG.2**

