

US00D590377S

(12) **United States Design Patent**
Bradford

(10) **Patent No.:** **US D590,377 S**
(45) **Date of Patent:** **** Apr. 14, 2009**

(54) **HEADSET**

(75) Inventor: **Simon Bradford**, Espoo (FI)

(73) Assignee: **Nokia Corporation**, Espoo (FI)

(**) Term: **14 Years**

(21) Appl. No.: **29/305,112**

(22) Filed: **Mar. 13, 2008**

(30) **Foreign Application Priority Data**

Sep. 13, 2007 (EM) 000789557

(51) **LOC (9) Cl.** **14-01**

(52) **U.S. Cl.** **D14/223**

(58) **Field of Classification Search** D14/142,
D14/188, 205, 206, 223; 181/128, 129, 130;
381/380, 381, 370, 375, 151, 324; 379/420.01-420.04,
379/430, 433; 455/569.1, 575.2
See application file for complete search history.

(56) **References Cited**

U.S. PATENT DOCUMENTS

- D474,178 S 5/2003 Eroma
- D479,834 S 9/2003 Salazar et al.
- D504,884 S 5/2005 Hering
- D505,414 S * 5/2005 Ko et al. D14/223
- D511,156 S 11/2005 Eroma et al.
- D528,529 S * 9/2006 Rose et al. D14/138 R
- D536,694 S 2/2007 Eroma et al.
- D538,271 S * 3/2007 Kim et al. D14/223
- D539,787 S * 4/2007 Kim et al. D14/223

- D543,539 S 5/2007 Sade et al.
- D550,215 S * 9/2007 Udagawa et al. D14/223
- D552,602 S 10/2007 Sade et al.
- D553,613 S 10/2007 Sade et al.
- D561,179 S 2/2008 Sade et al.
- D566,103 S * 4/2008 Sade et al. D14/223
- D566,692 S 4/2008 Sade et al.
- D566,696 S * 4/2008 Schmelling D14/223
- D568,301 S * 5/2008 Kim et al. D14/223
- D573,983 S * 7/2008 Bang et al. D14/223
- D574,366 S 8/2008 Sade et al.
- D574,367 S 8/2008 Jaakkola et al.
- D575,277 S * 8/2008 Gaarde et al. D14/223
- D576,609 S 9/2008 Bradford et al.

* cited by examiner

Primary Examiner—Paula Greene

(74) *Attorney, Agent, or Firm*—Banner & Witcoff, Ltd

(57) **CLAIM**

The ornamental design for a headset, as shown and described.

DESCRIPTION

FIG. 1 is a perspective front view of a headset showing my new design;

FIG. 2 is a front view thereof;

FIG. 3 is a rear view thereof;

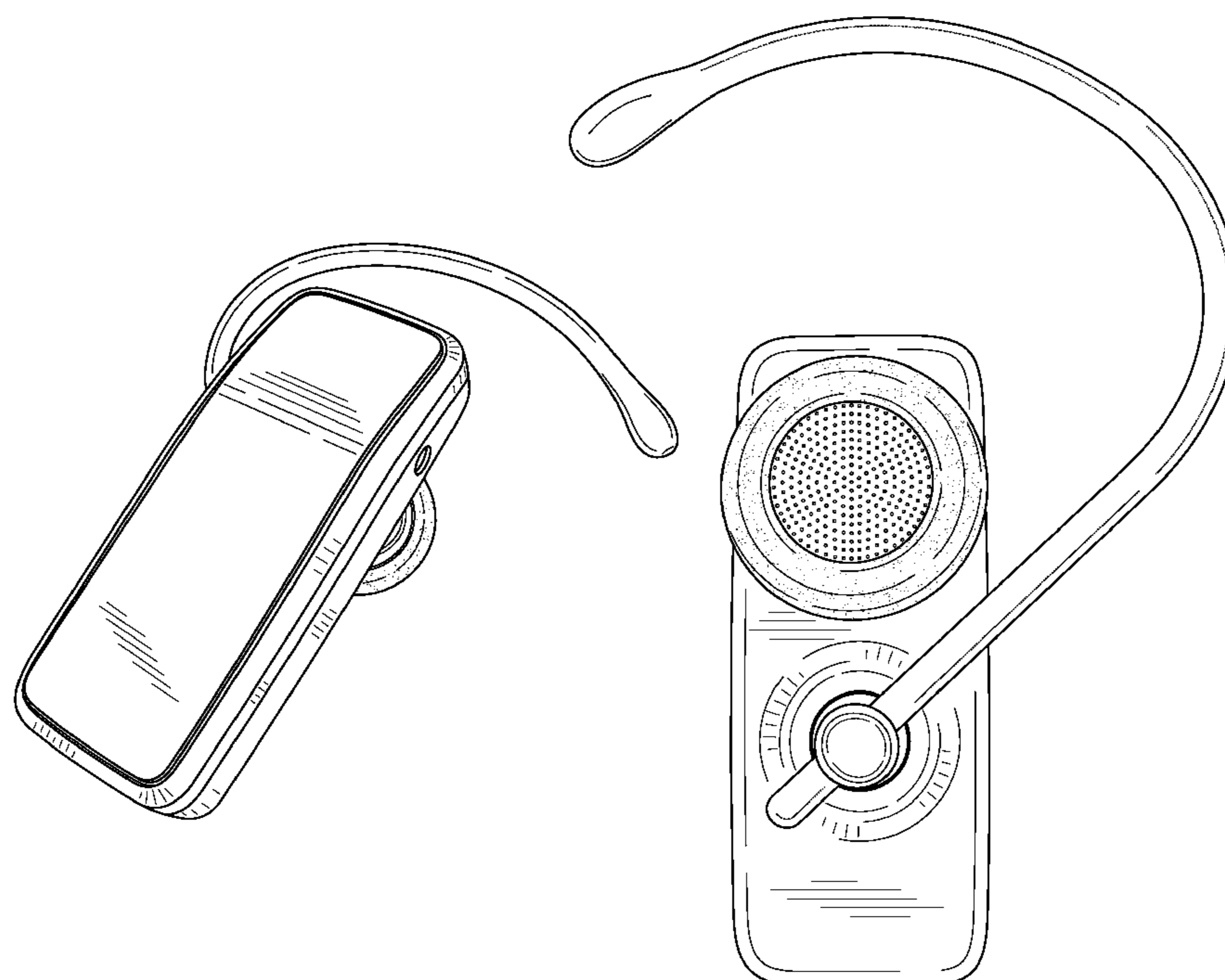
FIG. 4 is a right side view thereof;

FIG. 5 is a left side view thereof;

FIG. 6 is a top view thereof; and,

FIG. 7 is a bottom view thereof.

1 Claim, 7 Drawing Sheets



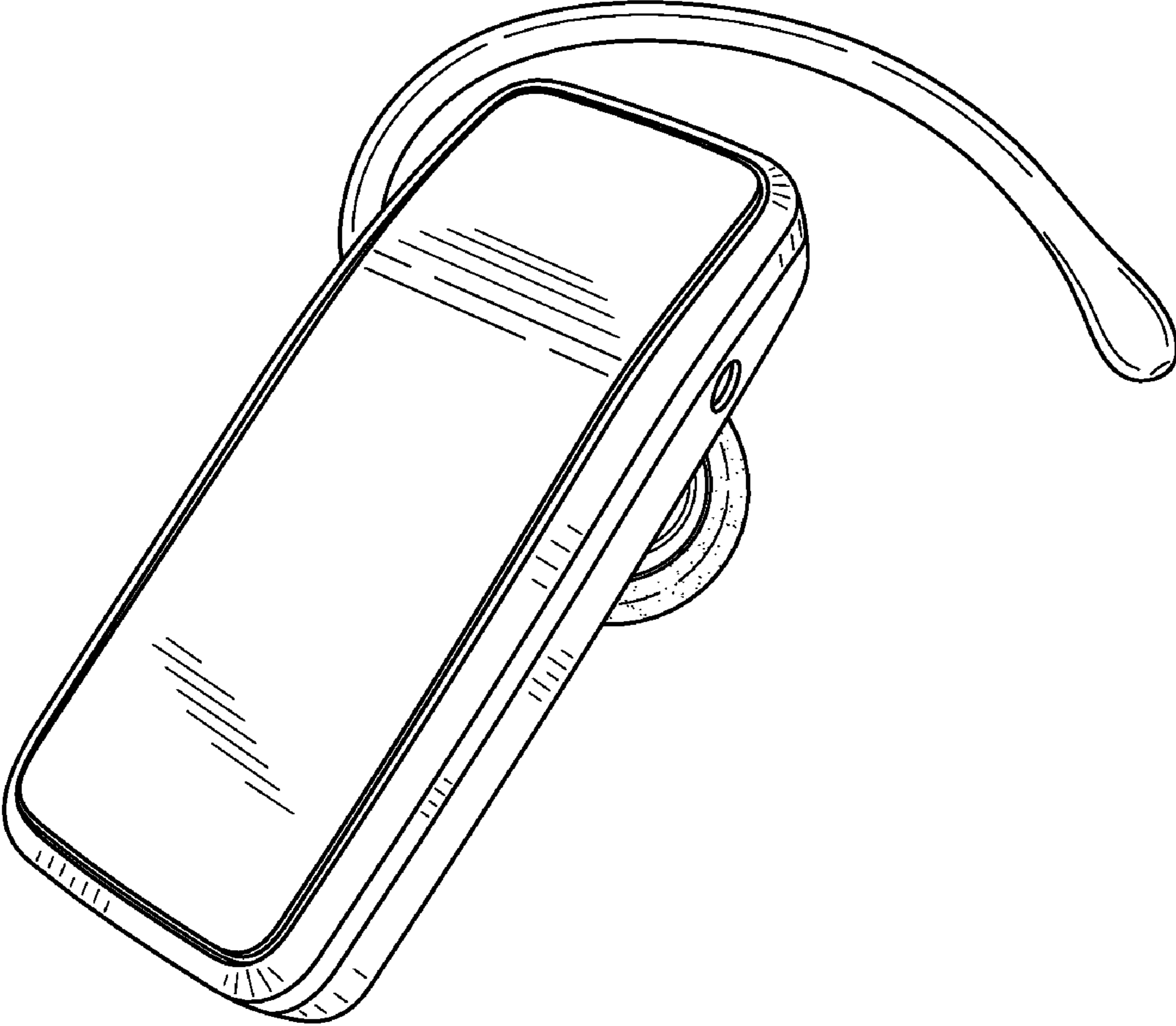


FIG. 1

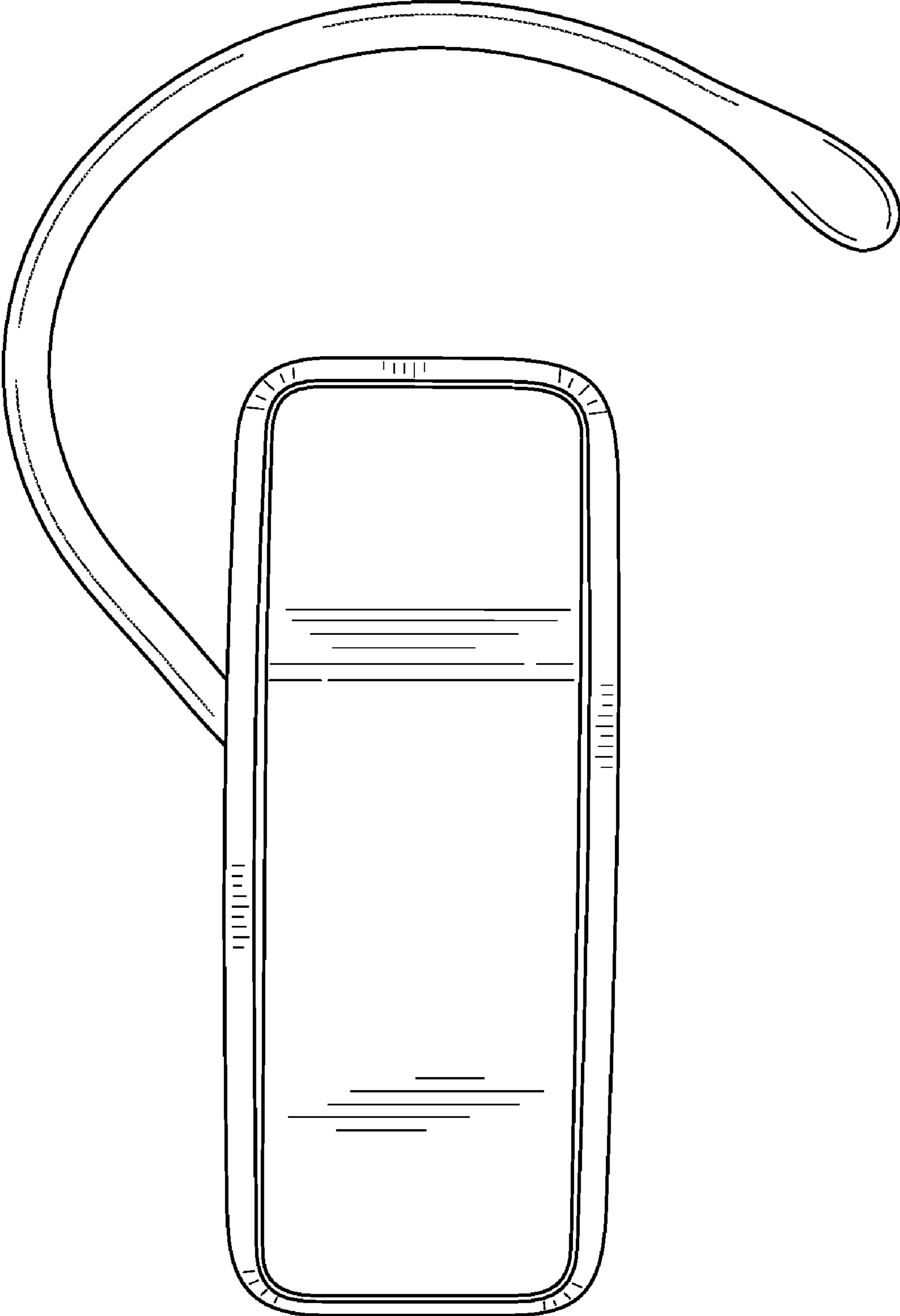


FIG. 2

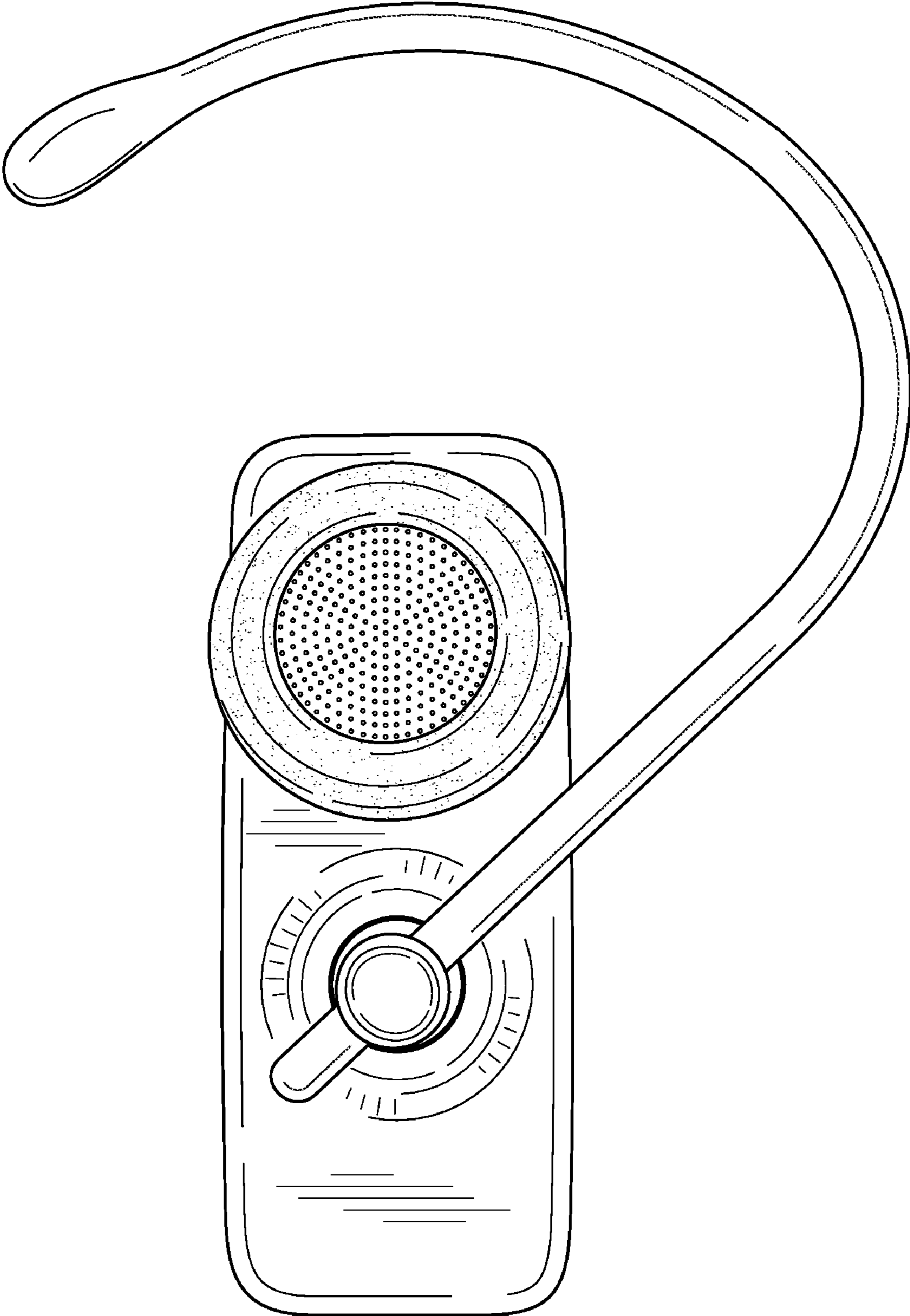


FIG. 3

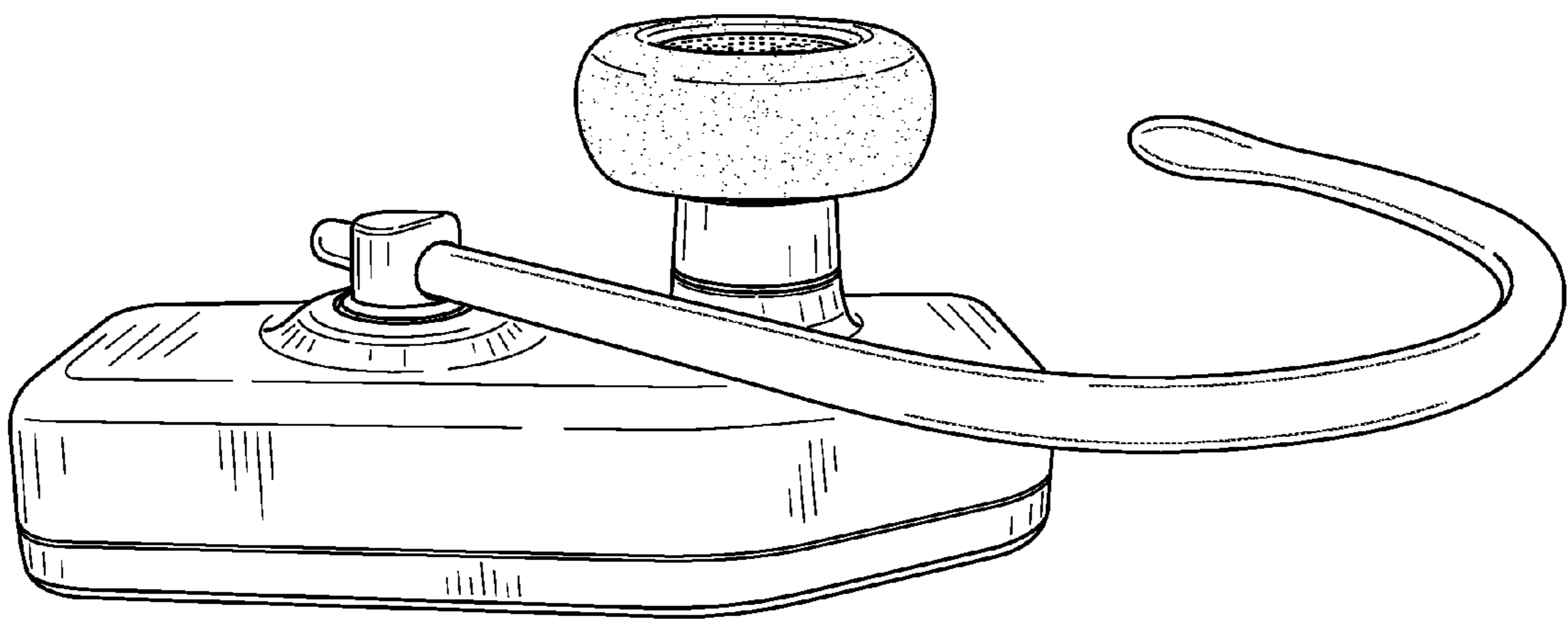


FIG. 4

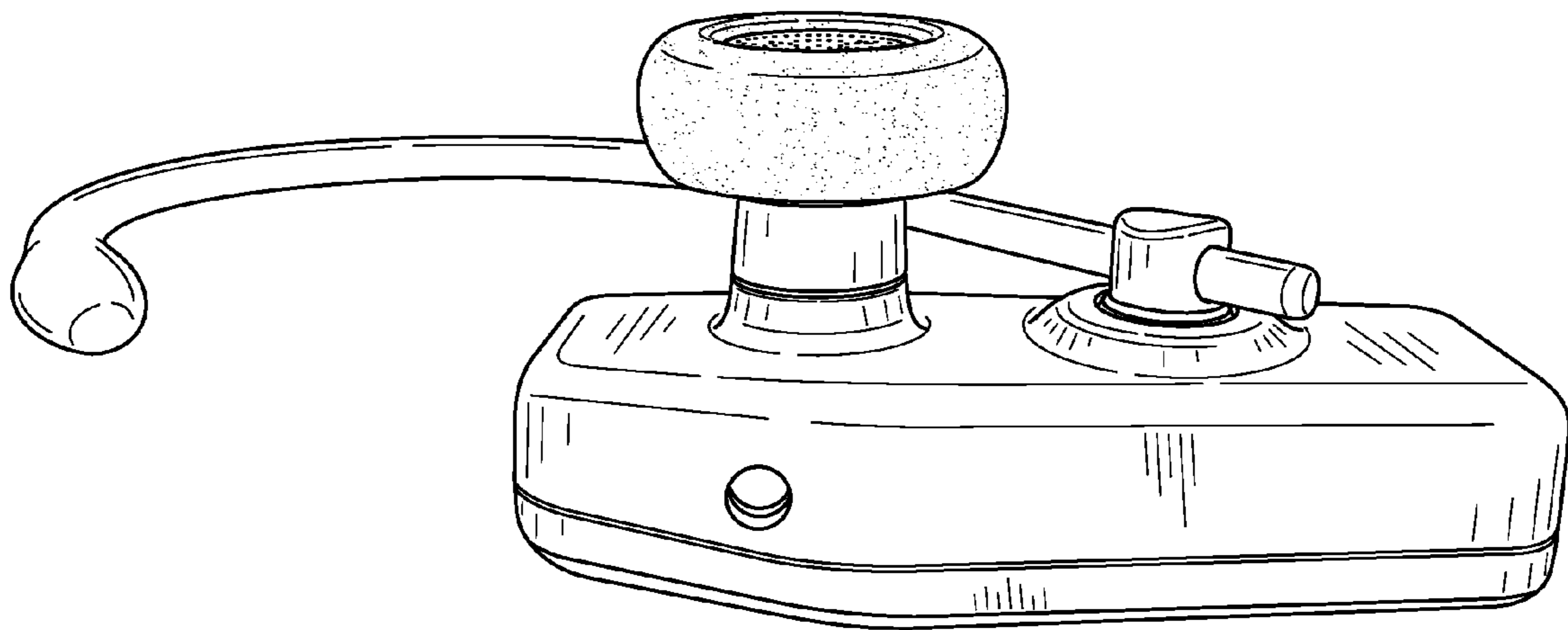


FIG. 5

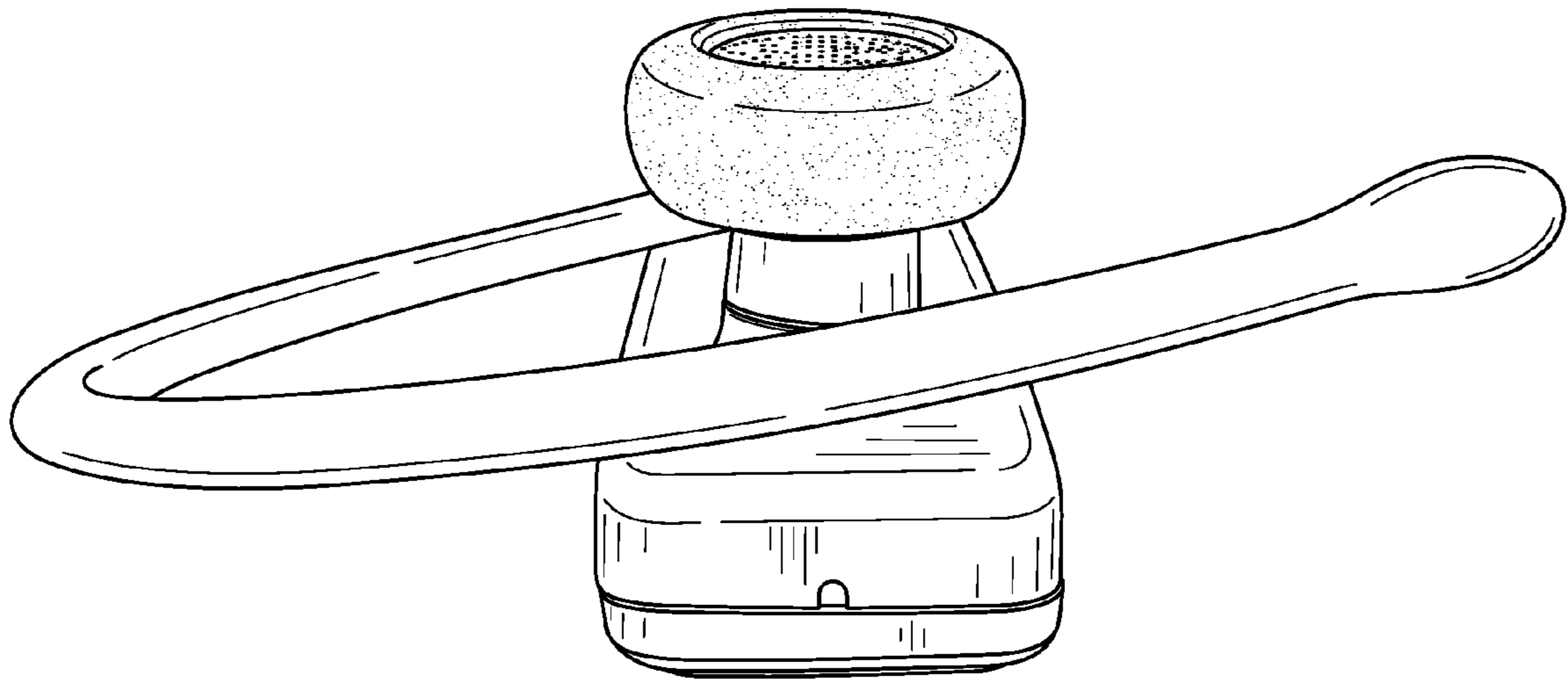


FIG. 6

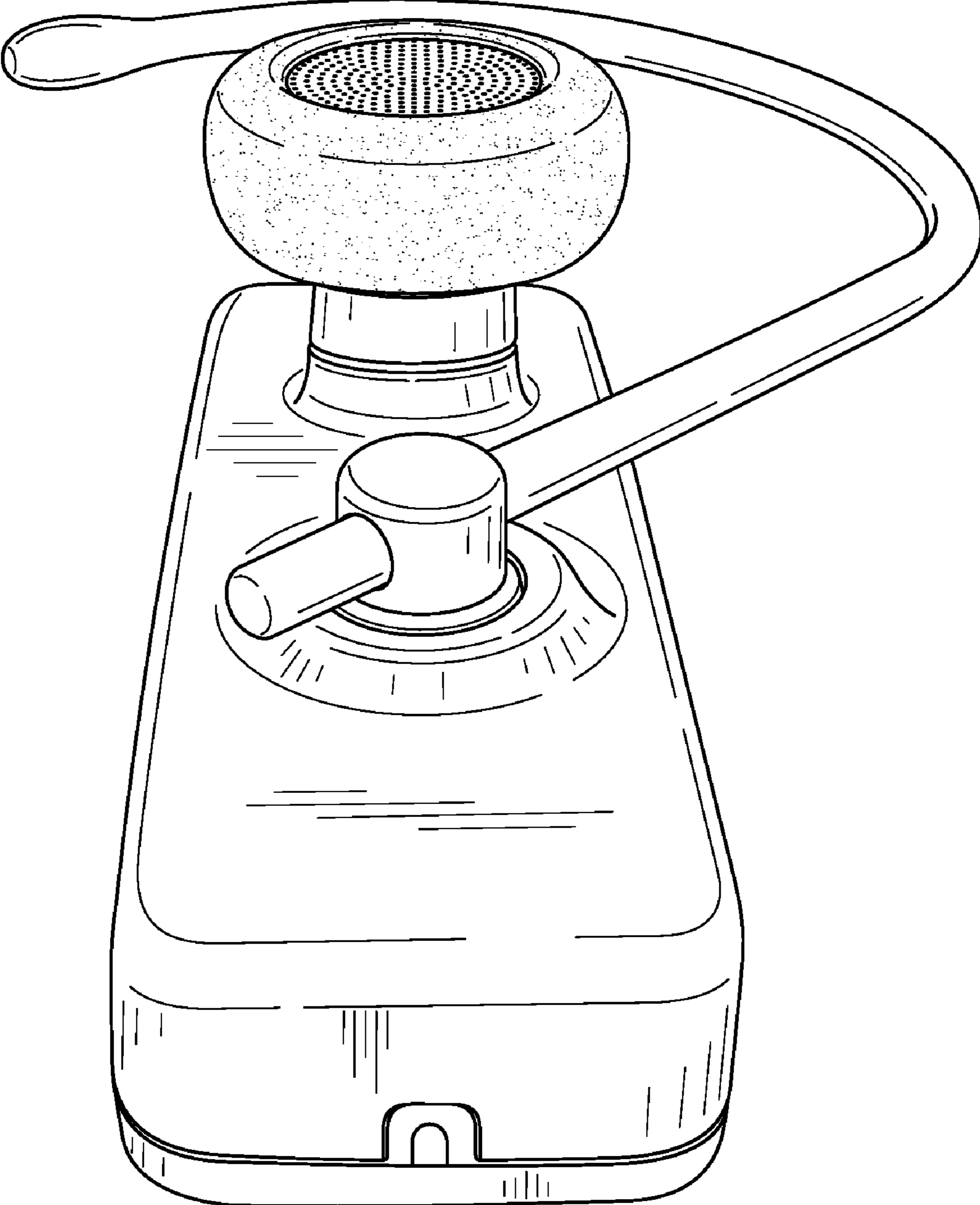


FIG. 7