



US00D590373S

(12) **United States Design Patent**
Brickstad

(10) **Patent No.:** **US D590,373 S**

(45) **Date of Patent:** **** Apr. 14, 2009**

(54) **SPEAKER**

D542,776 S * 5/2007 Dayan D14/215

(75) Inventor: **Per Brickstad**, Espoo (FI)

* cited by examiner

(73) Assignee: **Nokia Corporation**, Espoo (FI)

Primary Examiner—Nanda Bondade

(74) *Attorney, Agent, or Firm*—Banner & Witcoff, Ltd

(**) Term: **14 Years**

(57) **CLAIM**

(21) Appl. No.: **29/306,809**

The ornamental design for a speaker, as shown and described.

(22) Filed: **Apr. 16, 2008**

DESCRIPTION

(51) **LOC (9) Cl.** **14-01**

(52) **U.S. Cl.** **D14/215**

(58) **Field of Classification Search** D14/204,
D14/210–216, 172; 181/143–144, 147–148,
181/150–153, 157, 198–199; 381/300–303,
381/306, 332–333, 336, 345, 361–364, 386–388
See application file for complete search history.

FIG. 1 is front perspective view of a first embodiment of a speaker showing my new design;

FIG. 2 is a front view thereof;

FIG. 3 is a rear view thereof;

FIG. 4 is a right side view thereof;

FIG. 5 is a left side view thereof;

FIG. 6 is a top view thereof; and,

FIG. 7 is a bottom view thereof.

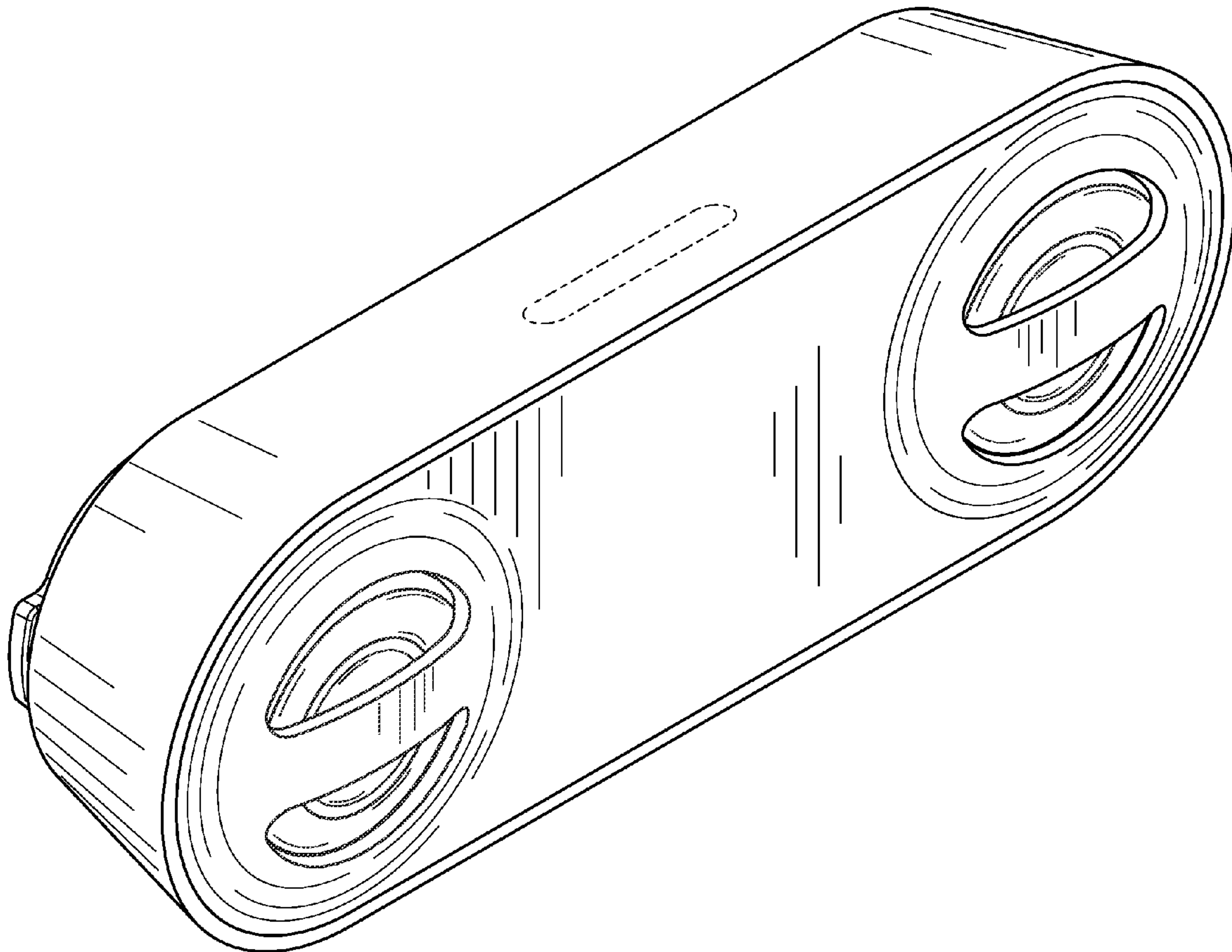
The broken line showing of the environmental structure in FIGS. 1, 3 and 6 is for illustrative purposes only and forms no part of the claimed design.

(56) **References Cited**

U.S. PATENT DOCUMENTS

D483,349 S *	12/2003	Murakami	D14/215
D491,167 S *	6/2004	Yokoyama	D14/216
D504,415 S *	4/2005	Lum	D14/216
D524,798 S *	7/2006	Koizumi	D14/215
D537,071 S *	2/2007	Chen	D14/215

1 Claim, 5 Drawing Sheets



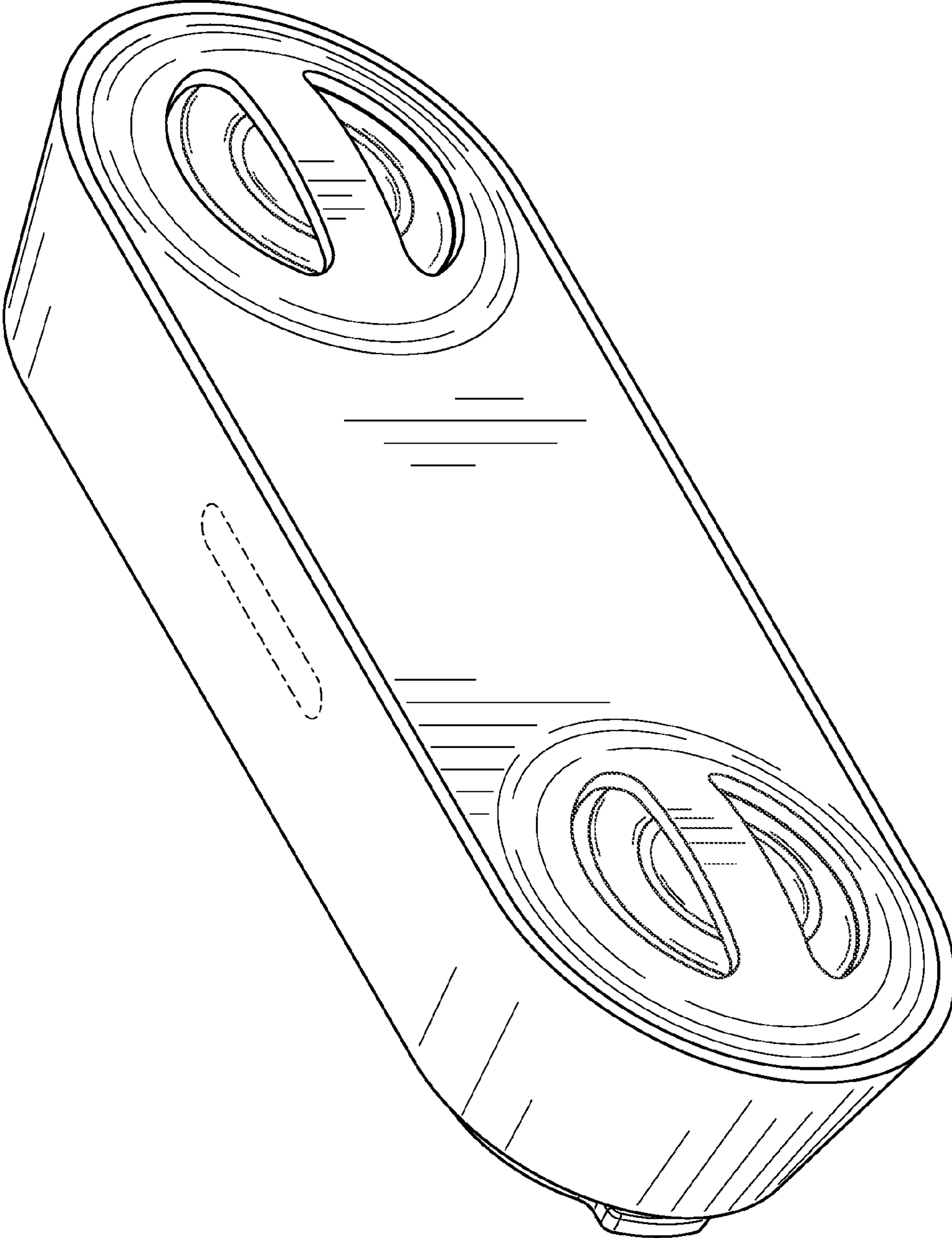


FIG. 1

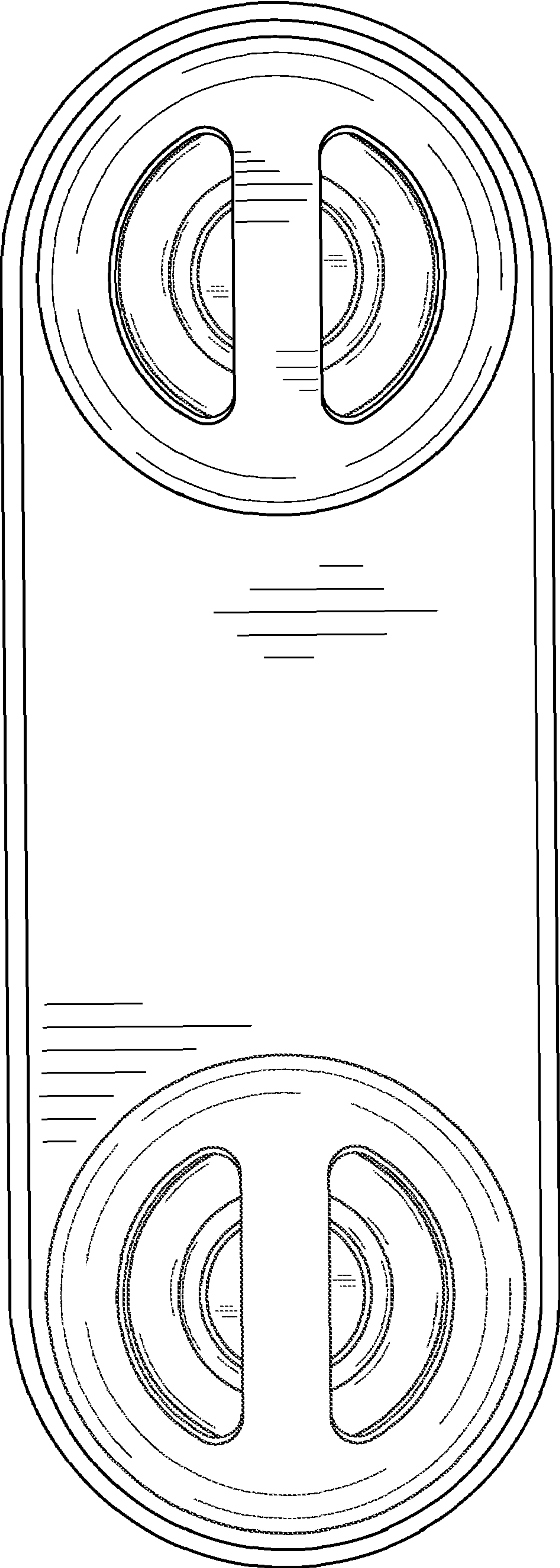


FIG. 2

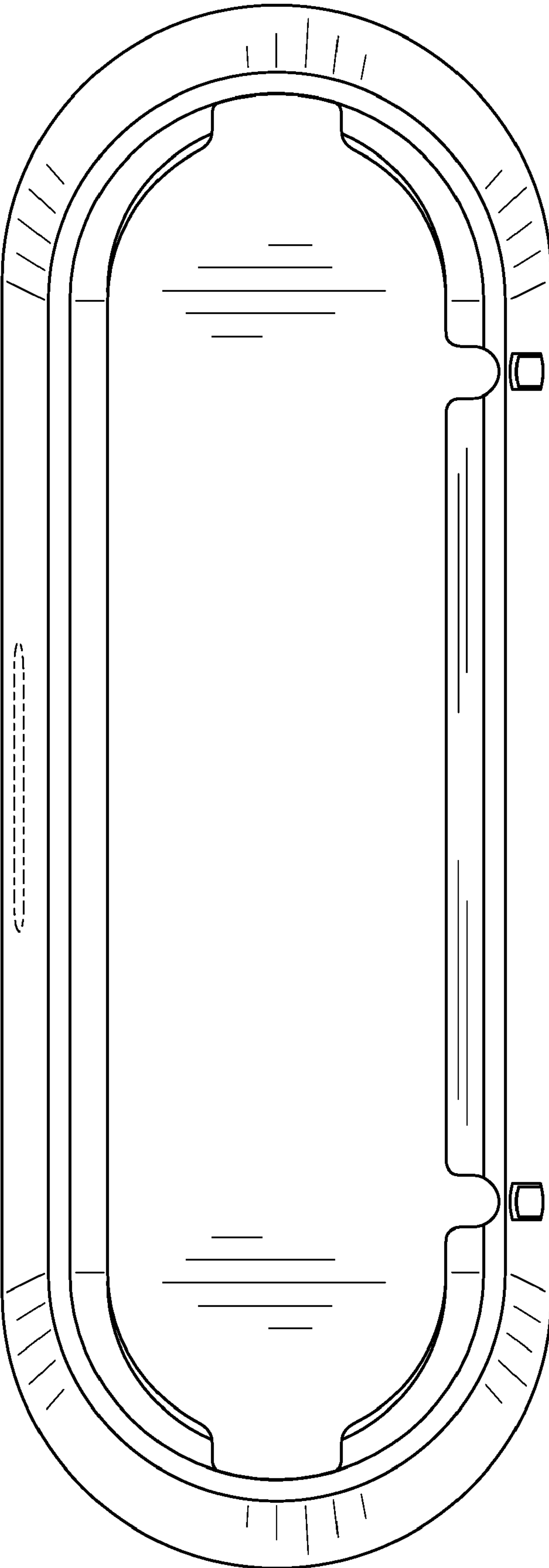


FIG. 3

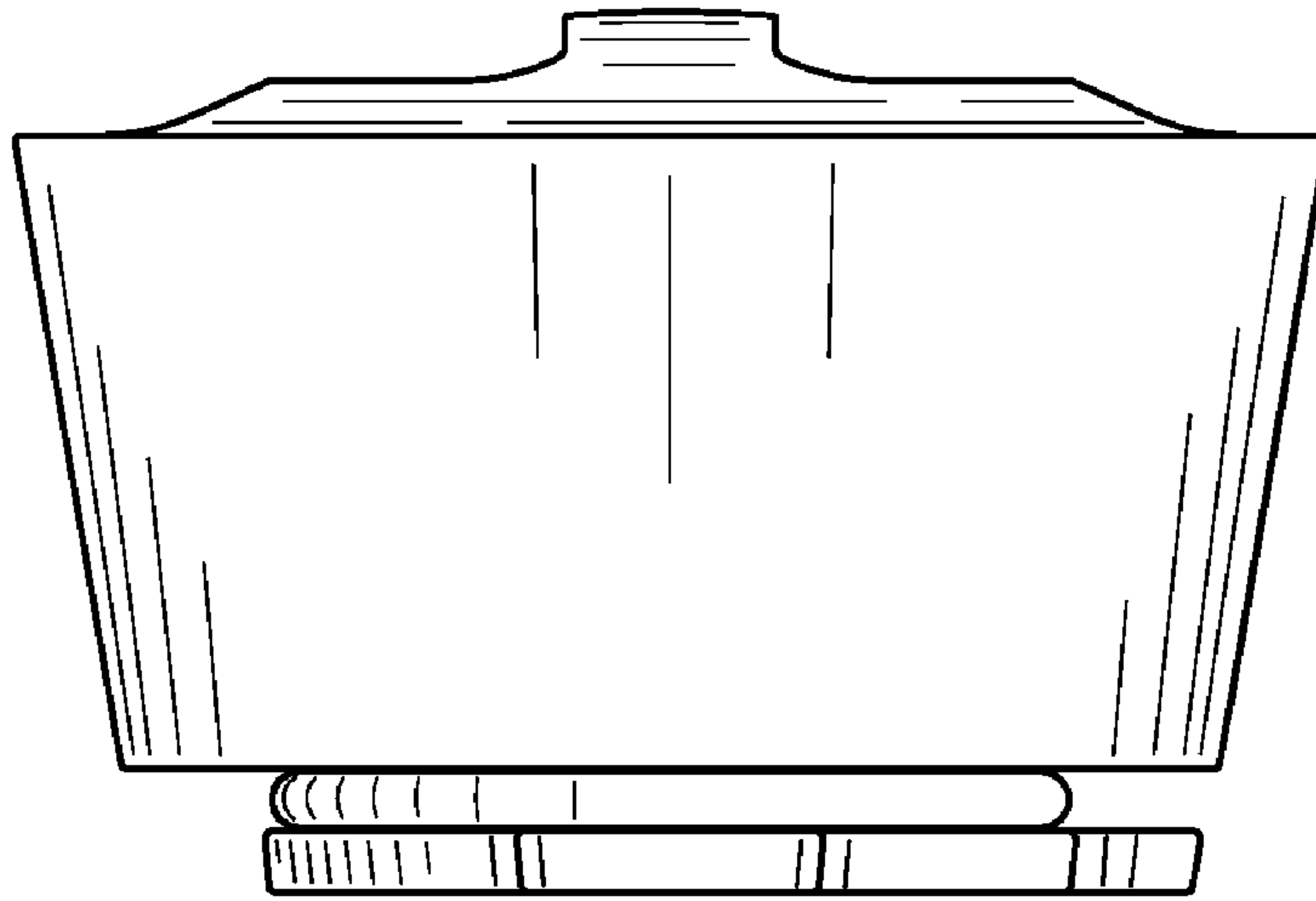


FIG. 5

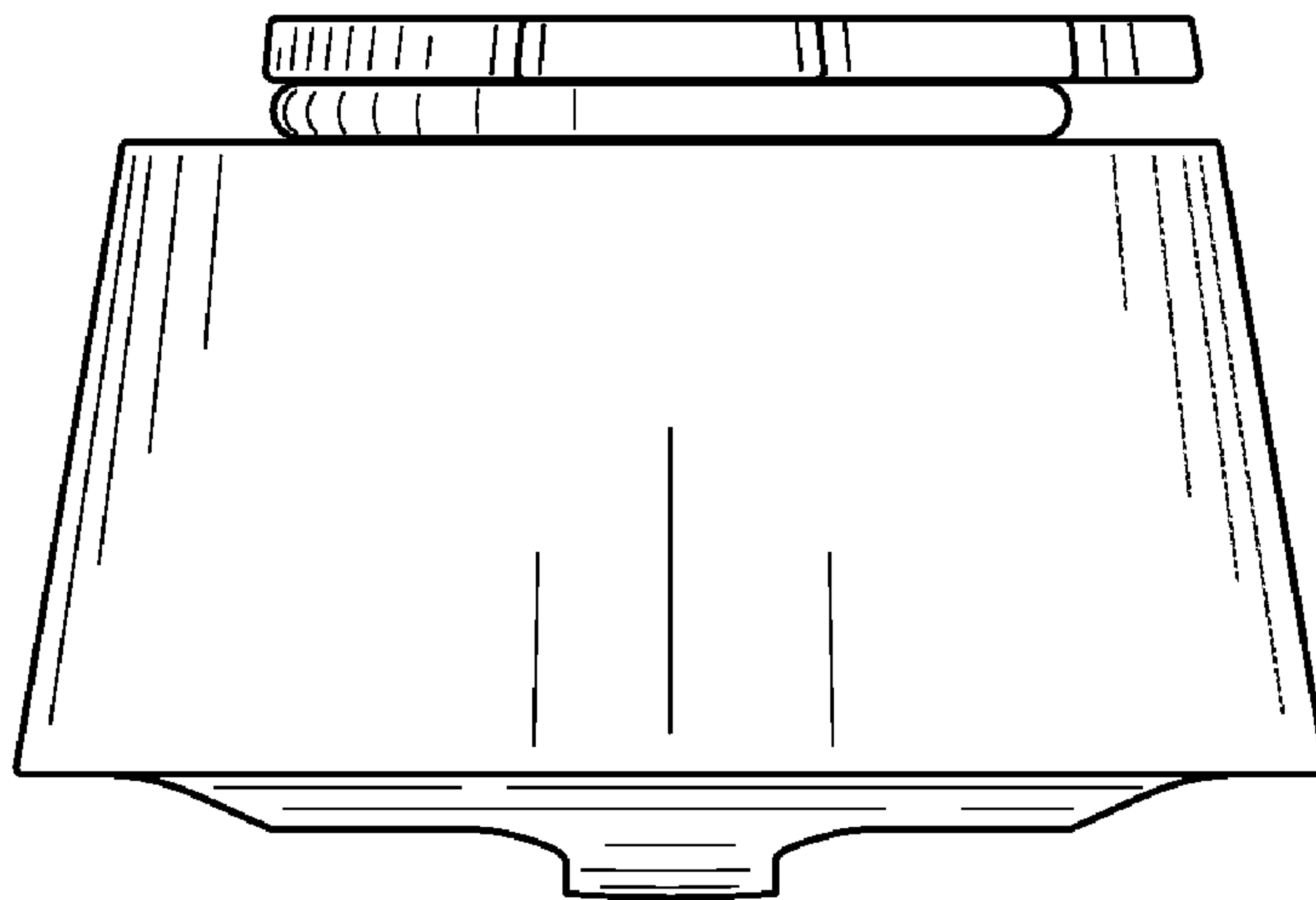


FIG. 4

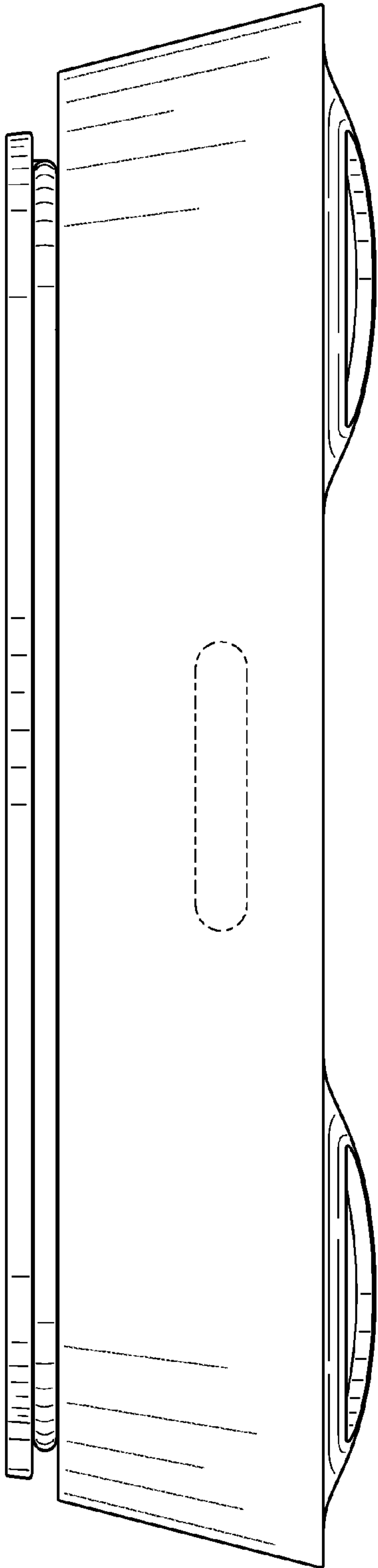


FIG. 6

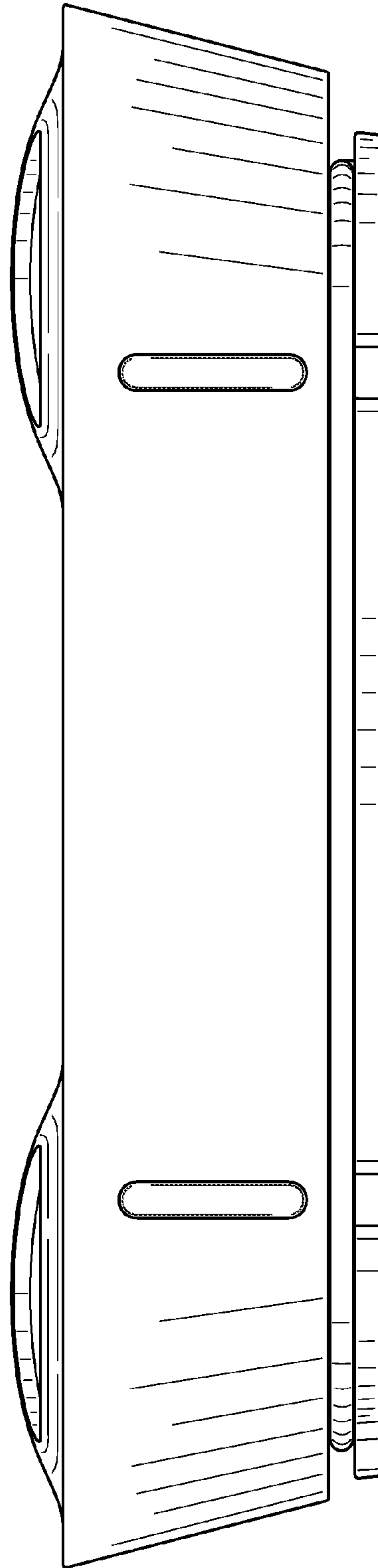


FIG. 7