



US00D590372S

(12) **United States Design Patent**  
**Melin**

(10) **Patent No.:** **US D590,372 S**

(45) **Date of Patent:** **\*\* Apr. 14, 2009**

(54) **HEADSET**

(76) Inventor: **Henrik Melin**, Esplanaden 25b, 761 44  
Norrtalje (SE)

(\*\*) Term: **14 Years**

(21) Appl. No.: **29/305,189**

(22) Filed: **Mar. 14, 2008**

(51) **LOC (9) Cl.** ..... **14-01**

(52) **U.S. Cl.** ..... **D14/206**

(58) **Field of Classification Search** ..... D14/105,  
D14/206, 223, 142, 192; 181/128, 129, 130;  
379/430, 433, 420.01–420.04; 381/151,  
381/370, 375, 380, 381; D24/174; 455/575.2,  
455/569.1

See application file for complete search history.

(56) **References Cited**

**U.S. PATENT DOCUMENTS**

1,556,774	A	*	10/1925	Fensky	.....	181/130
1,884,638	A	*	10/1932	Fensky	.....	181/129
D180,695	S	*	7/1957	Norris	.....	D14/192
D262,286	S	*	12/1981	Austin et al.	.....	D14/225
D382,874	S	*	8/1997	Peschke et al.	.....	D14/142
D384,958	S	*	10/1997	Shudo	.....	D14/206
D395,653	S	*	6/1998	Read et al.	.....	D14/142
D409,621	S	*	5/1999	Andrea	.....	D14/223
D460,436	S	*	7/2002	Bjorklund et al.	.....	D14/205
D468,299	S	*	1/2003	Boesen	.....	D14/223
D472,890	S	*	4/2003	Suzuki	.....	D14/223
D495,685	S	*	9/2004	Hirano	.....	D14/223
D504,672	S	*	5/2005	Hirano	.....	D14/205
D511,156	S	*	11/2005	Eroma et al.	.....	D14/223
D515,069	S	*	2/2006	Naito	.....	D14/205

D525,617	S	*	7/2006	Darbut	.....	D14/223
D527,377	S	*	8/2006	Darbut	.....	D14/223
D539,783	S	*	4/2007	Rausch et al.	.....	D14/205
D559,831	S	*	1/2008	Lee	.....	D14/205
D561,739	S	*	2/2008	Ikeda et al.	.....	D14/206
D563,384	S	*	3/2008	Hemer	.....	D14/206
D572,234	S	*	7/2008	Reda et al.	.....	D14/205
D575,768	S	*	8/2008	Wang	.....	D14/206
D575,772	S	*	8/2008	Schultz et al.	.....	D14/223
D577,003	S	*	9/2008	Yang et al.	.....	D14/206
7,436,952	B2	*	10/2008	Darbut	.....	379/430
2002/0097189	A1		7/2002	Coloney		
2006/0166718	A1		7/2006	Seshadri et al.		
2006/0229108	A1		10/2006	Cehelnik		

\* cited by examiner

*Primary Examiner*—Paula Greene

(74) *Attorney, Agent, or Firm*—Rolf Fasth; Fasth Law Offices

(57) **CLAIM**

The ornamental design for a headset, as shown and described.

**DESCRIPTION**

FIG. 1 is a perspective view of the headset of the present invention;

FIG. 2 is a left side view of the headset shown in FIG. 1;

FIG. 3 is a right side view of the headset shown in FIG. 1;

FIG. 4 is an elevational rear view of the headset shown in FIG. 1;

FIG. 5 is an elevational front view of the headset shown in FIG. 1;

FIG. 6 is a top view of the headset shown in FIG. 1; and,

FIG. 7 is a bottom view of the headset shown in FIG. 1.

**1 Claim, 3 Drawing Sheets**

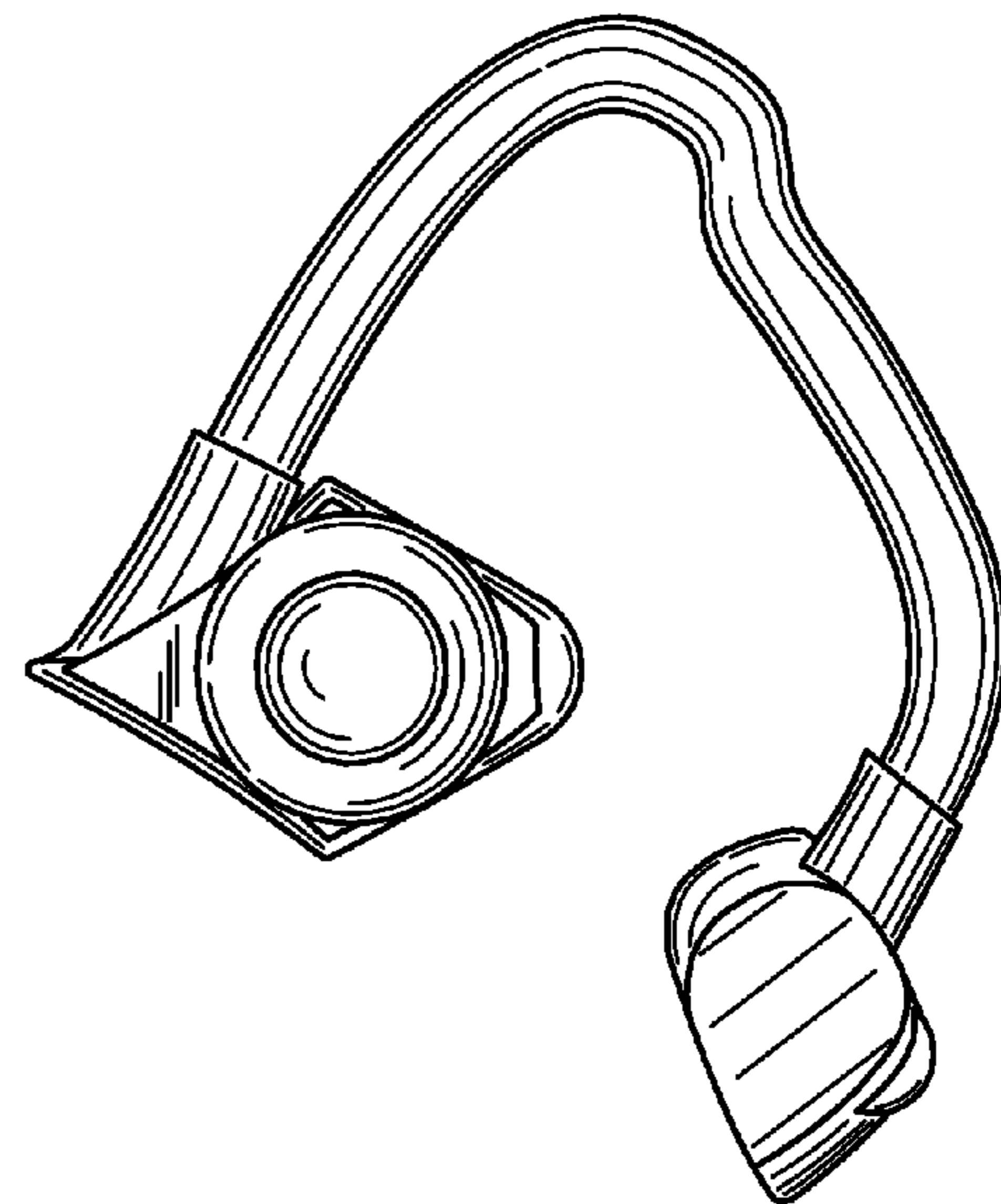
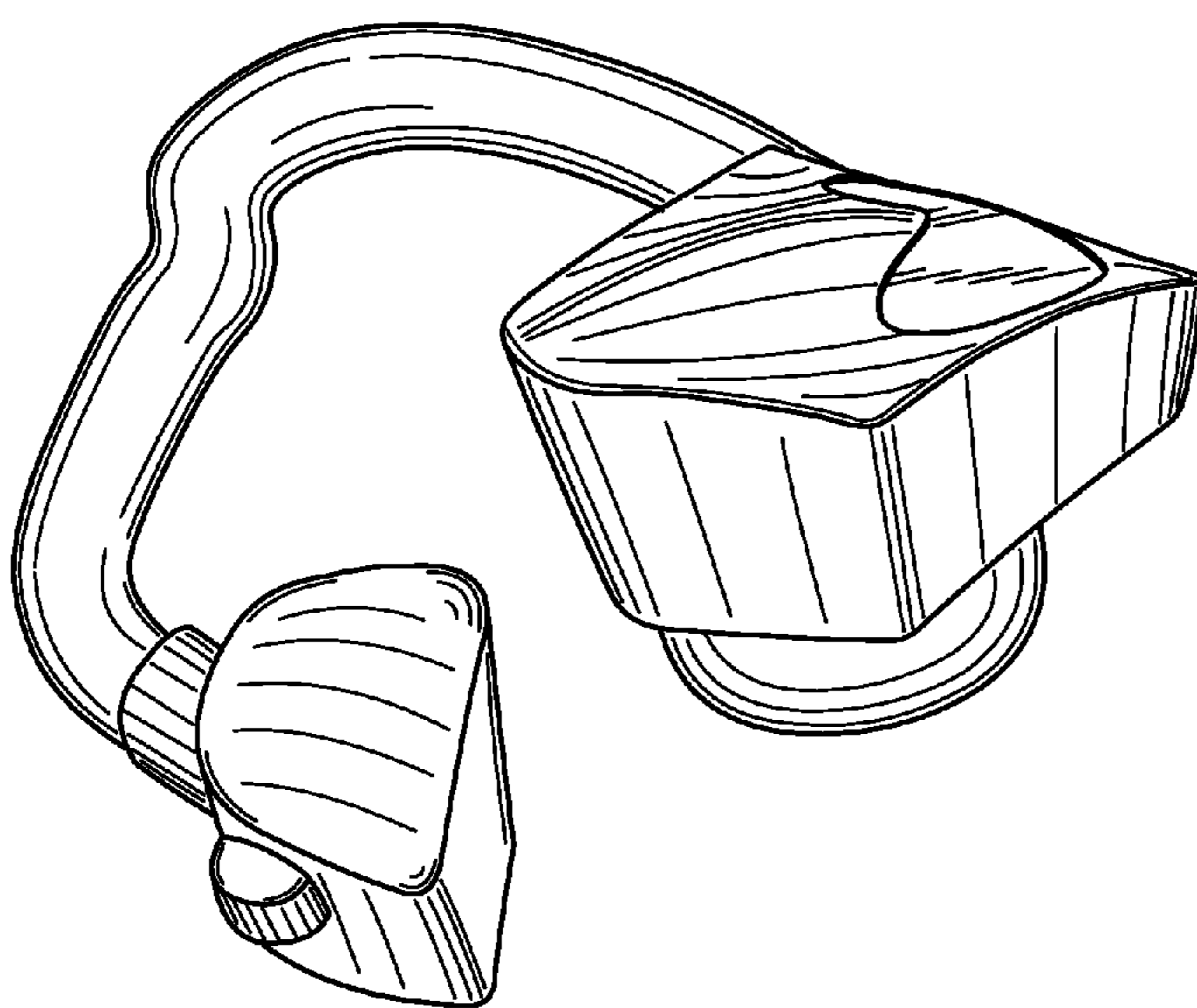


FIG. 1

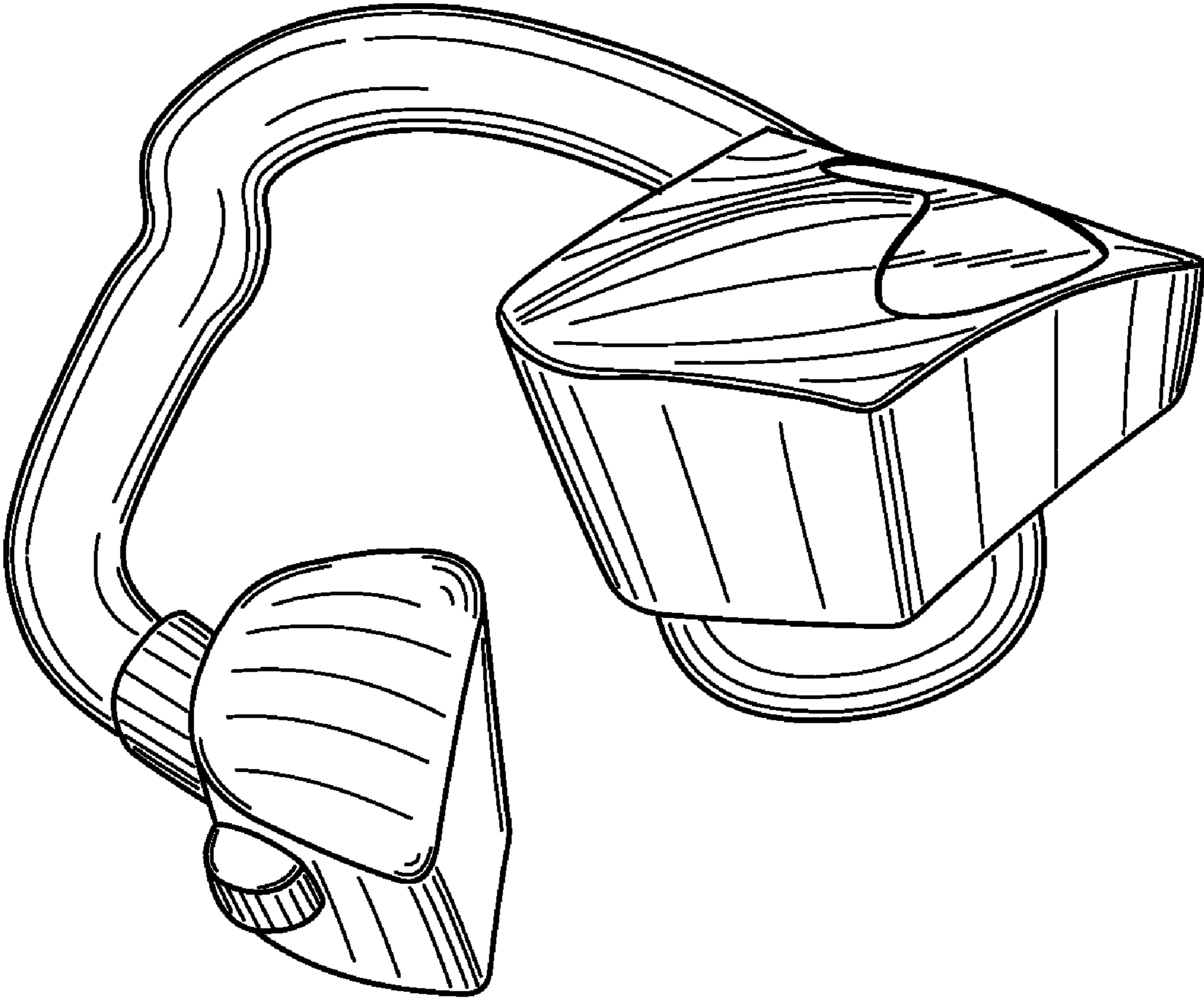


FIG. 2

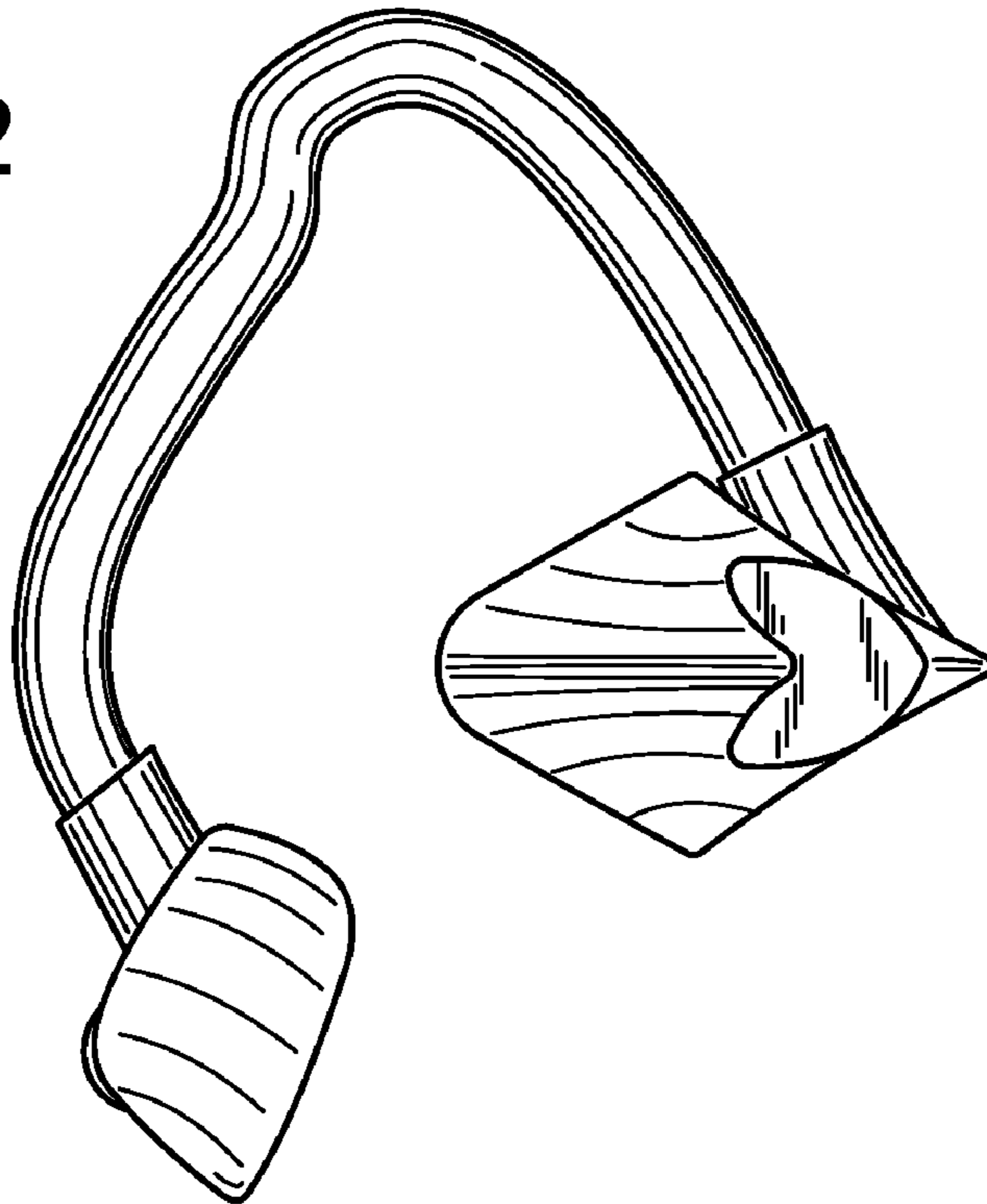
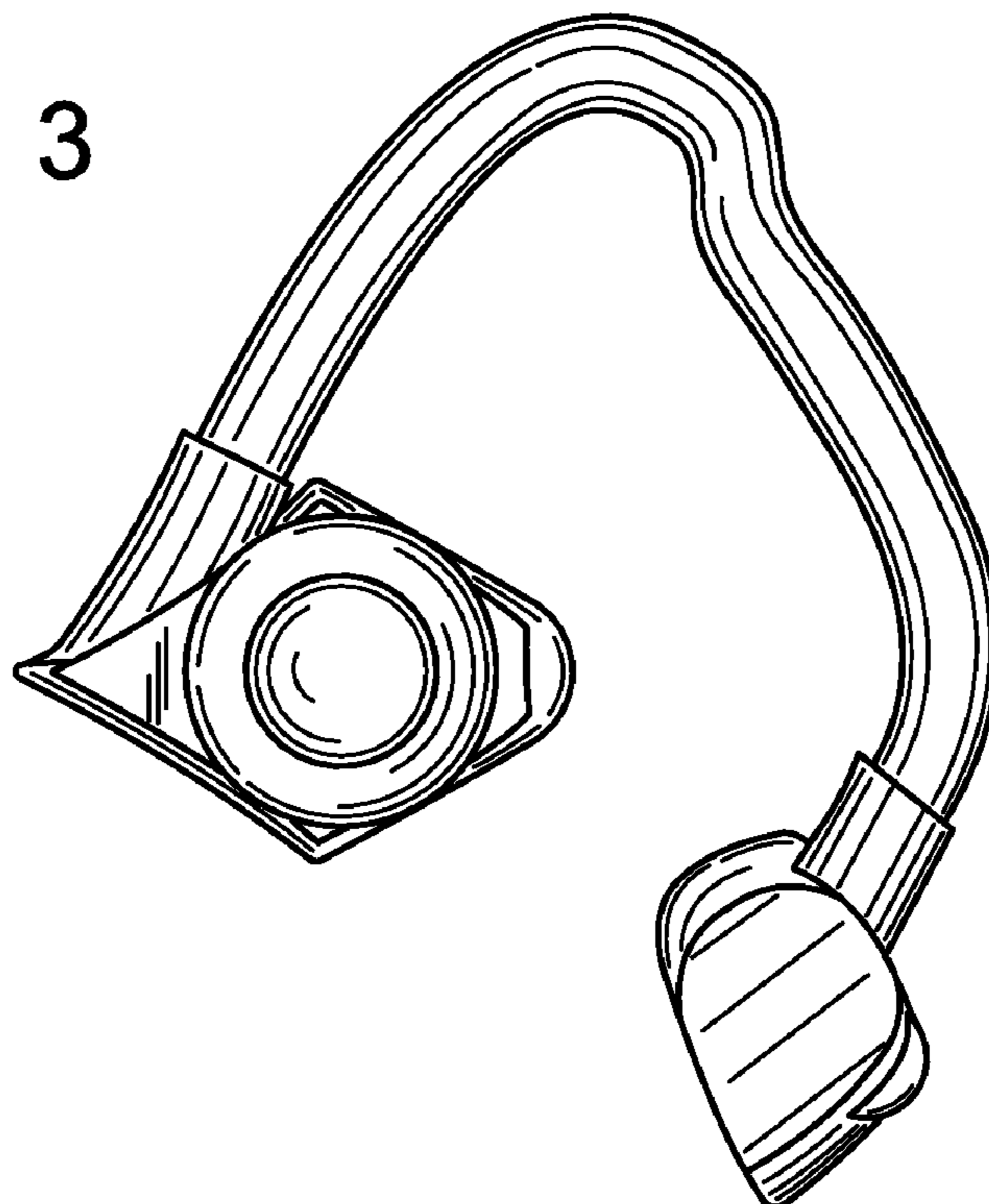


FIG. 3



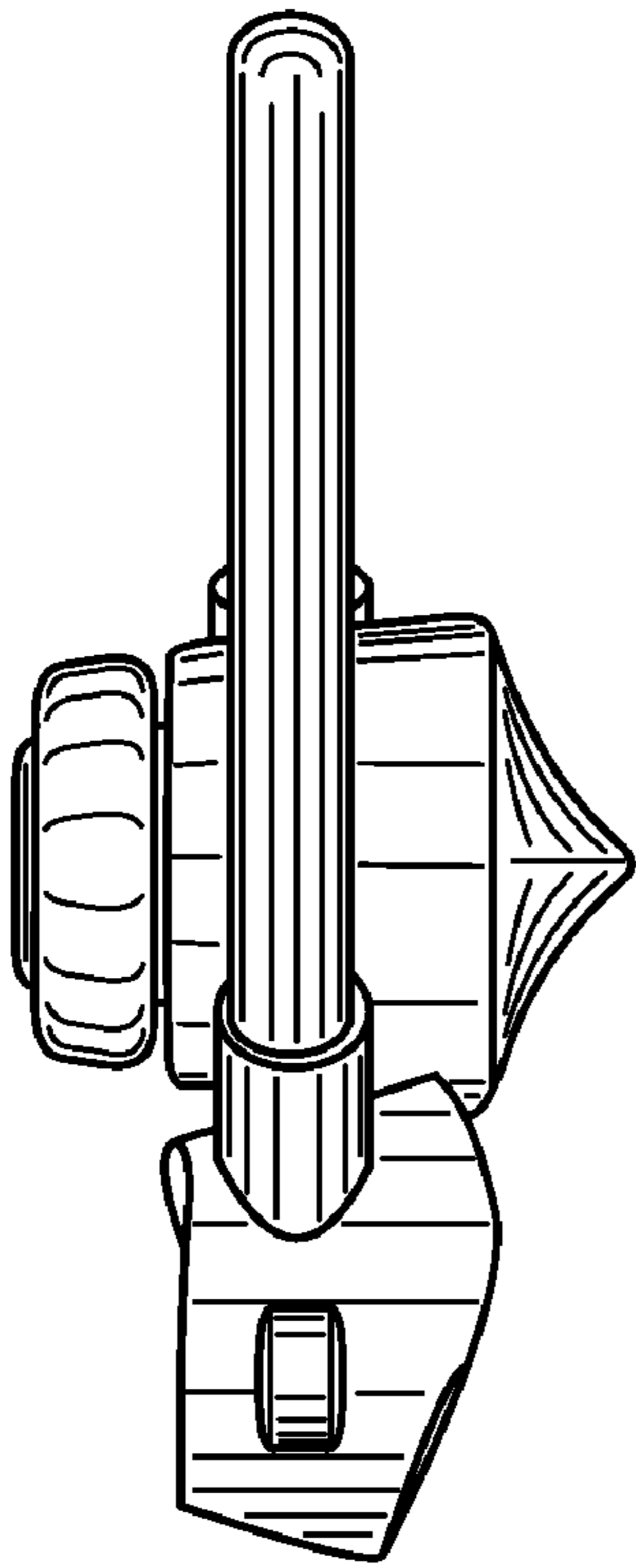


FIG. 4

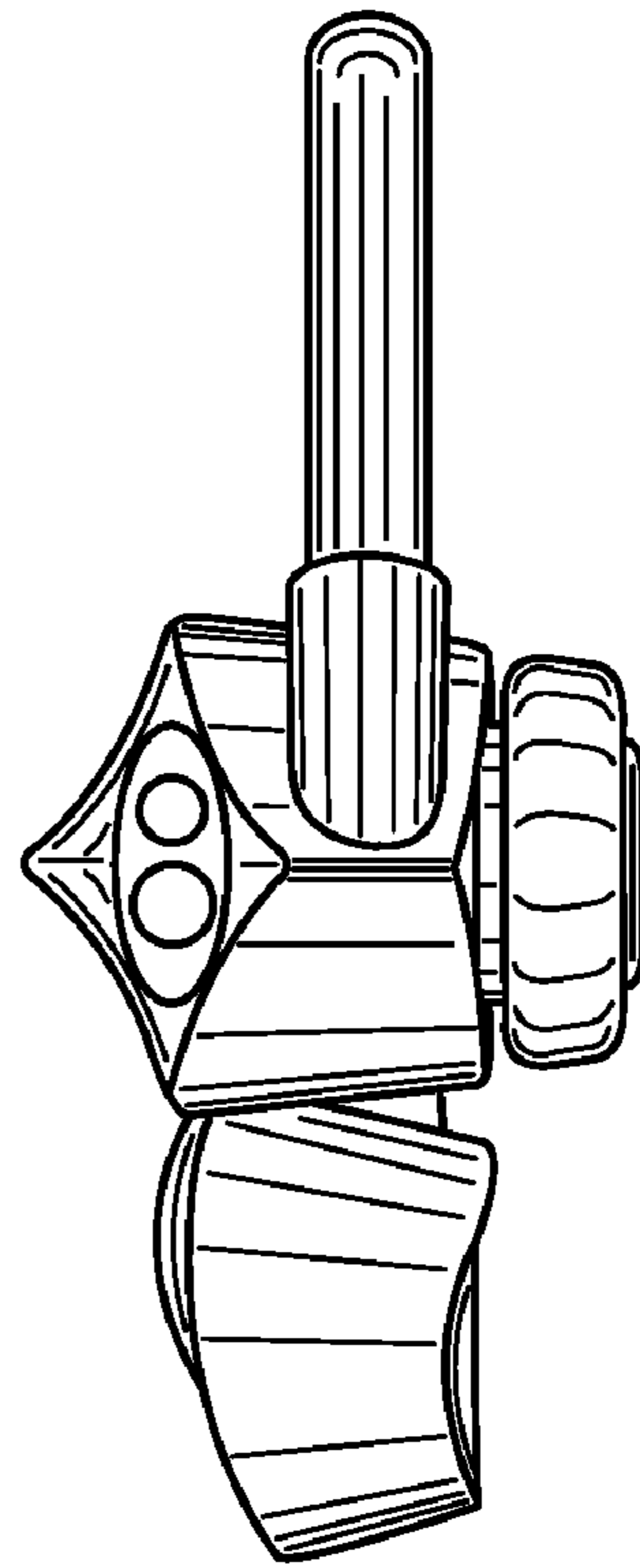


FIG. 5

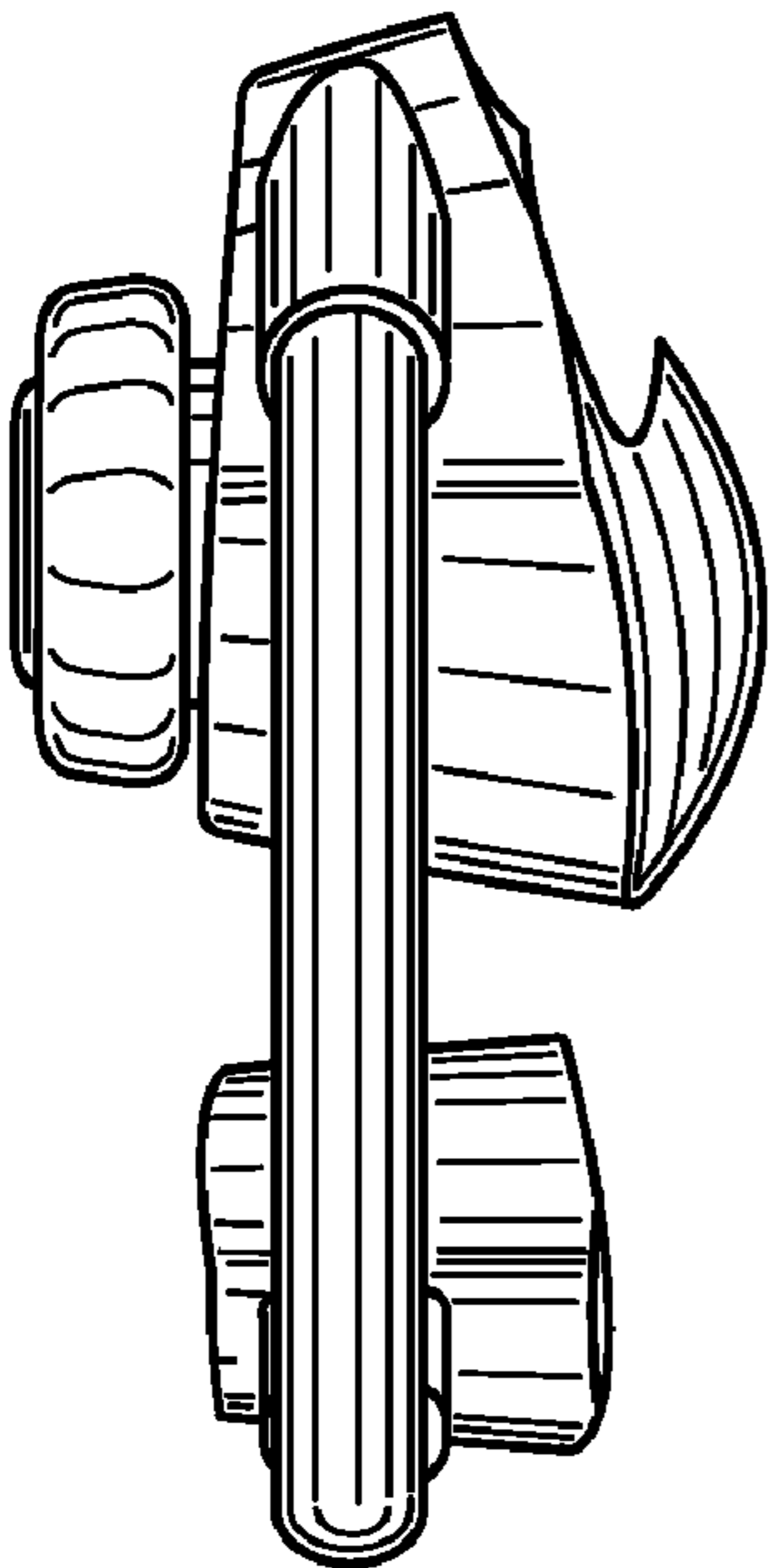


FIG. 6

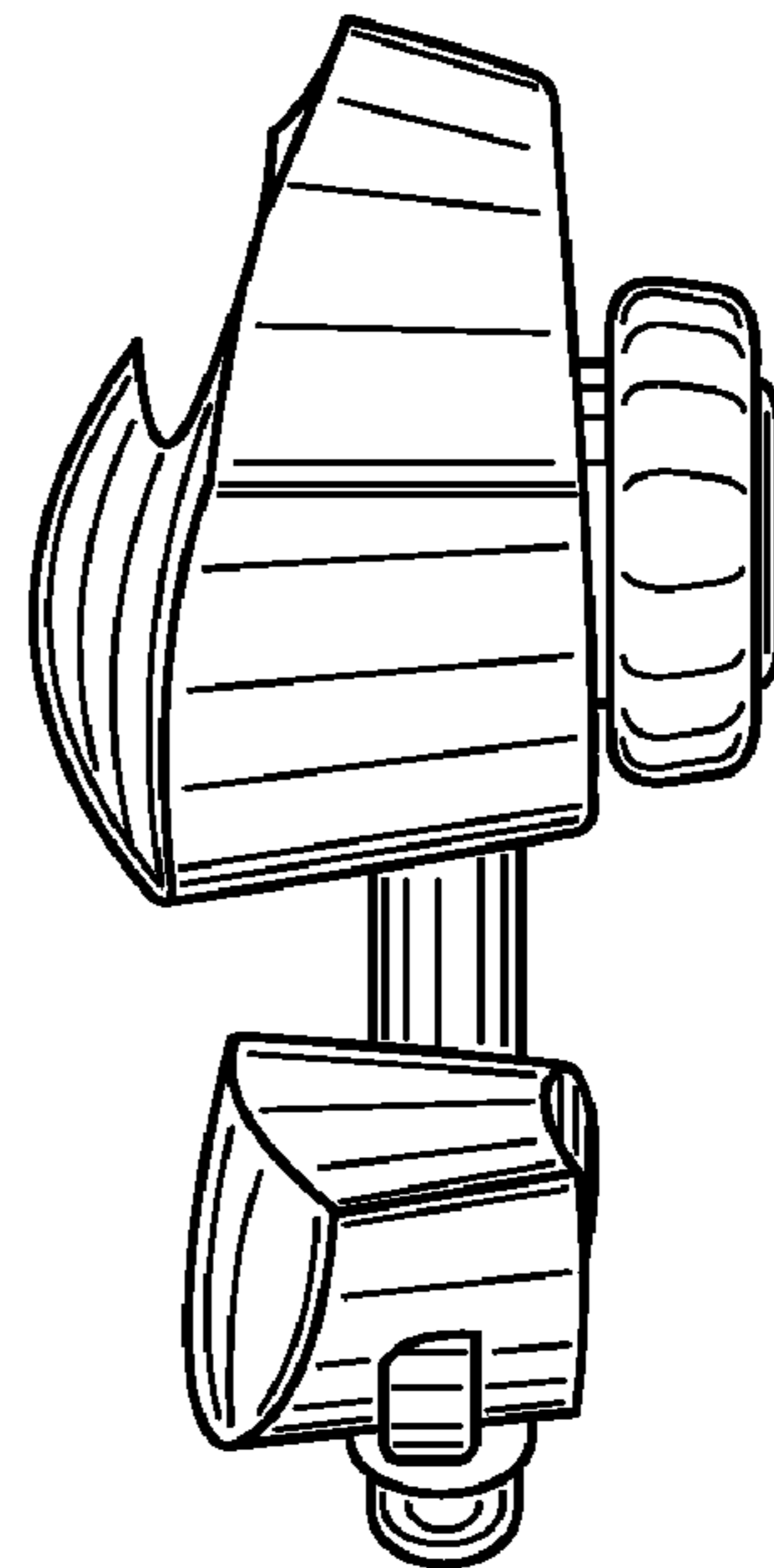


FIG. 7